

# Freedom Designs – Easy Conforming Back - Extended - (E2617)



## Freedom Designs, Incorporated

2241 N Madera Road, Simi Valley, CA 93065  
 phone: 800-331-8551 fax: 888-582-1509

e: customerservice@freedomdesigns.com  
 www.freedomdesigns.com



Yes, you can.

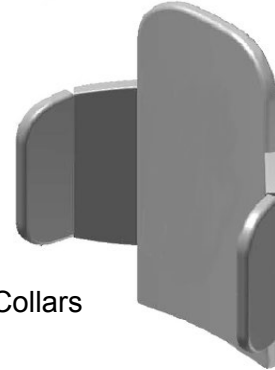
Quote Order

Buyer: \_\_\_\_\_  
 Co./Account: \_\_\_\_\_  
 Location: \_\_\_\_\_  
 Contact #: \_\_\_\_\_  
 P.O. #: \_\_\_\_\_  
 Marked For: \_\_\_\_\_  
 Fax: \_\_\_\_\_  
 Email: \_\_\_\_\_

### Wheelchair Specifications:

Model: \_\_\_\_\_

Width: \_\_\_\_\_



#### 1. Choose Hardware

|                                                       |                                                      |                 |
|-------------------------------------------------------|------------------------------------------------------|-----------------|
| 102-13000                                             | 4 J's and L's and 4 Glide Locks                      | \$988           |
| 102-18000                                             | 4 J's and L's and 2 Glide Locks with 2 Split Collars | \$988           |
| 102-30000                                             | 4 Easy Clamps                                        | \$ 1148         |
| EZ CONF-EXT 2                                         | 2 J's and L's and 2 Glide Locks and Hinges           | \$ 1035         |
| Heavy Duty Package needed when frame is over 20" wide |                                                      | (Factory Quote) |

#### 2. Choose Modifications (may choose one or more)

|                 |                                                                        |       |
|-----------------|------------------------------------------------------------------------|-------|
| Mod-2SS         | Laterals Upholstered Separately from Center Panel                      | \$193 |
| Mod-2UU         | Wings Molded Together in Front (only one angle of adjustment)          | \$231 |
| Mod-2QPlateMate | PlateMate Universal Headrest Plate (when not using Freedom headrest)   | \$ 47 |
| Mod-2S          | Foam-in-Place (Choose soft medium)                                     | \$259 |
| Mod-2Econo4     | Hardware Upgrade with 4 Econo-Eze hardware                             | \$167 |
| Mod-2Econo2     | Hardware Upgrade with 2 Econo-Eze hardware (needed when using a hinge) | \$ 56 |

#### 3. Chose Upholstery

Black Lycra  
 Black Dartex  
 Black Reverse Dartex  
 Other (Type and Color) \_\_\_\_\_

#### 4. Choose Foam

Standard .5" 3# Foam w/.5" Soft Sunmate Overlay OR Custom/Omit Standard (see chart below)

Base Layer: \_\_\_\_\_ Middle Layer: \_\_\_\_\_ Top Layer: \_\_\_\_\_

| Back Foam Chart |              |               |              |                         |               |
|-----------------|--------------|---------------|--------------|-------------------------|---------------|
| 3# Foam         | \$ 45 per 1" | Firm Sunmate  | \$105 per 1" | Pudgee                  | \$226 per 1"  |
| 4# Foam         | \$ 45 per 1" | X-Soft T-Foam | \$113 per 1" | Waffle                  | \$269 per .5" |
| 5# Foam         | \$ 62 per 1" | Soft T-Foam   | \$113 per 1" | Waffle (over 18x16)     | \$540 per .5" |
| Soft Sunmate    | \$105 per 1" | Medium T-Foam | \$113 per 1" | Free Float              | \$338 per .5" |
| Med. Sunmate    | \$105 per 1" | Firm T-Foam   | \$113 per 1" | Free Float (over 18x16) | \$674 per .5" |

# Freedom Designs – Easy Conforming Back - Extended

Buyer: \_\_\_\_\_  
 Co./Account: \_\_\_\_\_  
 Location: \_\_\_\_\_  
 Contact #: \_\_\_\_\_

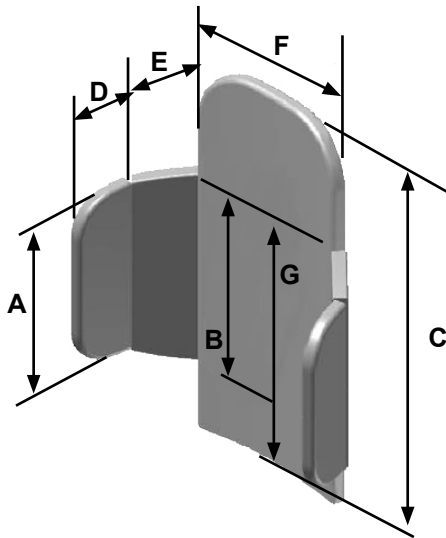
P.O. #: \_\_\_\_\_  
 Marked For: \_\_\_\_\_  
 Fax: \_\_\_\_\_  
 Email: \_\_\_\_\_

## 5. Custom Sizing:

### Custom Size Chart

| Width | Dimensions |        |      |     |       |      |        |
|-------|------------|--------|------|-----|-------|------|--------|
| 11/12 | A=5        | B=6    | C=13 | D=3 | E=2   | F=7  | G=8    |
| 13/14 | A=6        | B=7    | C=15 | D=4 | E=3   | F=9  | G=10.5 |
| 15/16 | A=7        | B=7.5  | C=17 | D=4 | E=3   | F=11 | G=11.5 |
| 17/18 | A=7.5      | B=8    | C=19 | D=4 | E=3   | F=13 | G=12.5 |
| 19/20 | A=8        | B=9    | C=21 | D=4 | E=3.5 | F=15 | G=13.5 |
| 21/22 | A=9        | B=10.5 | C=23 | D=4 | E=3.5 | F=17 | G=14.5 |
| 23/24 | A=9        | B=10.5 | C=25 | D=4 | E=3.5 | F=19 | G=14.5 |
| 25/26 | A=9        | B=10.5 | C=27 | D=4 | E=3.5 | F=21 | G=14.5 |

- A. Left \_\_\_\_\_
- A. Right \_\_\_\_\_
- B. Left \_\_\_\_\_
- B. Right \_\_\_\_\_
- C. \_\_\_\_\_
- D. Left \_\_\_\_\_
- D. Right \_\_\_\_\_
- E. Left \_\_\_\_\_
- E. Right \_\_\_\_\_
- F. Standard
- G. \_\_\_\_\_



Notes: