

Freedom Toddler Easy Order Form

Clear Form

Email Form to Customer Service



Freedom Designs, Incorporated
 2241 N Madera Road, Simi Valley, CA 93065
 phone: 800-331-8551 fax: 888-582-1509
 e: customerservice@freedomdesigns.com



Quote Order

Yes, you can.

Buyer: _____
 Co./Account: _____
 Location: _____
 Contact #: _____
 P.O.#: _____
 Marked For: _____
 Fax: _____
 Email: _____

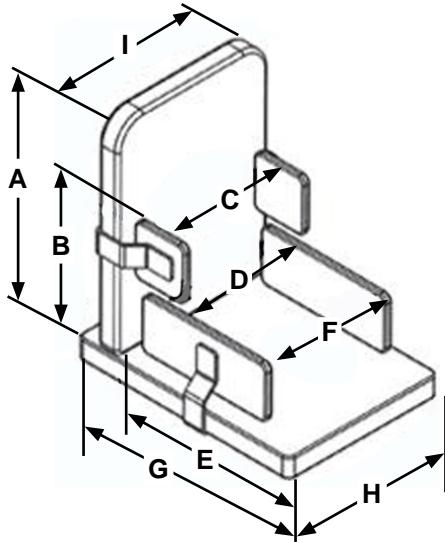
Seating Specifications

- A Back Height: _____
- B Lateral Height: _____
- C Lateral Width: _____
- D Hip Width (rear): _____
- E Set Up Seat Depth: _____
- F Hip Width (front): _____
- G "E" + 3" for Growth: _____
- H Seat Width: _____
- I Back Width: _____

Important Note: To ensure quote accuracy, seat and back width, depth and height dimensions must be provided. Seats and backs over 18" in width, depth or height are subject to oversize charges.

Finished Dimensions

Standard cut is Bolteron with foam rolled over edge.



Wheelchair Specifications

Model: _____
 Width: _____
 Depth: _____

Freedom Designs Upholstery Selections

1. Choose Contact / Non-Contact
2. Choose Upholstery
3. Choose Component

	Seat Base	Back Base	Headrest Pad	Lateral Pads	Hip & Knee Pads
Body Contact Surfaces					
Primary Upholstery Option:					
Number: _____ Choose: _____					
Secondary Upholstery Option:					
Number: _____ Choose: _____					
Non-Contact Surfaces					
Primary Upholstery Option:					
Number: _____ Choose: _____					
Secondary Upholstery Option:					
Number: _____ Choose: _____					
Monogram Option					When ordering choose either Monogram or Embroidery
Name: _____					
Script Block					
Thread Color: _____					
Embroidery Option					
Design: _____					

Notes:

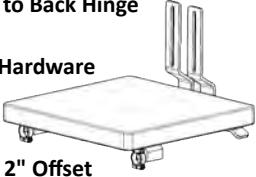
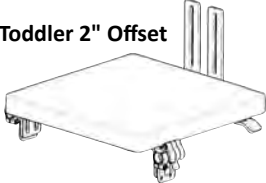
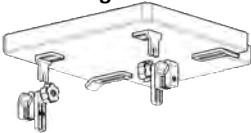
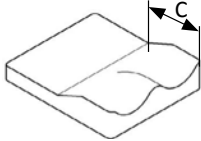


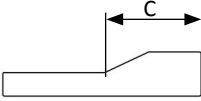
Freedom Toddler Easy Order Form

Toddler Seating Construction Includes:

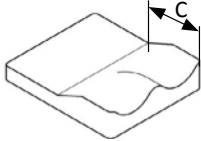
- 1/4" thick Boltaron base material up to 14" x 14" size • Cut full width unless otherwise specified • 2" x 2" back post notches • Full standard "T" nut pattern • 1/2" 4 lb. base foam with 1/2" soft Sunmate foam top layer is standard on Seat & Back • 3 sided zipper closed cover •
- Backs feature slightly rounded top and bottom corners • Backs are available with flat base material only
- **MAXIMUM WEIGHT CAPACITY 75 lbs.** •

Toddler Solid Seat Insert Packages (E2609)

<p>A EZ LITE 1-TDLR 4-Point Toddler Ez-Lite Adjustable Mounting Hdwe With Seat to Back Hinge \$635</p> <p>4 - 504C Toddler EZ-Lite Adjustable Hardware</p> <p>2 - SEZFC Select EZ Frame Clamps</p> <p>1 - 430D Seat to Back Hinge Toddler 2" Offset</p>		<p>B FASTCLAMP1-TDLR 2-Point Toddler Fast-Clamp Adjustable Mounting Hdwe With Seat to Back Hinge \$625</p> <p>2 - 590A Toddler Fast Clamp Adjustable hardware</p> <p>2 - SEZFC Select EZ Frame Clamps</p> <p>2 - 504C Toddler EZ-Lite Adjustable Hardware</p> <p>1 - 430D Seat to Back Hinge Toddler 2" Offset</p>	
<p>C EE1-TDLR 2-Point Mini Econo-Eze Adjustable Mounting Hdwe With Seat to Back Hinge \$825</p> <p>2 - 462G Mini Econo Eze Adjustable Knob Hardware</p> <p>2 - 439A Seat Mount Bracket Mini Econo Eze</p> <p>2 - 504C Toddler Ez-Lite Adjustable Hardware</p> <p>1 - 430D Seat to Back Hinge Toddler 2" Offset</p>		<p>MOD-1KW-TDLR Abduction Flared Toddler Seat Modification N/C</p> <p>MOD-1Y Contour Foam Modification \$394</p>	



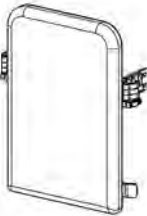
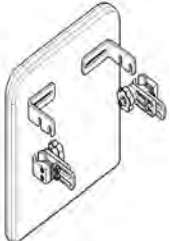
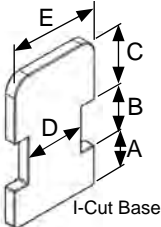
- Height of Anti-Thrust shelf is 1/2"
- C= First 1/3 of set-up seat depth (see "E" page 1)



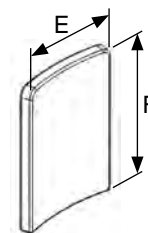
- Adductor height is 1/2"
- Height of Anti-Thrust shelf is 1/2"
- C= First 1/3 of set-up seat depth (see "E" page 1)

Notes:

Toddler Solid Back Insert Packages (E2617)

<p>A FASTCLAMP2-TDLR 2-Point Toddler Fast-Clamp Adjustable Mounting Hdwe \$561</p> <p>2 - 590A Toddler Fast Clamp Adjustable Hardware</p> <p>2 - SEZFC Select EZ Frame Clamps</p>		<p>B EE2-TDLR 2-Point Mini Econo-Eze Adjustable Mounting Hardware \$825</p> <p>2 - 462G Mini Econo Eze Adjustable Knob Hardware</p> <p>2 - 437E Back Mount Bracket Mini Econo Eze</p>	
<p>MOD-2H I-Cut Modification \$155</p> <p>MOD-2J T-Cut Modification \$155</p>			<p>MOD-2IA Curved Foam Modification \$140</p>

E _____
F _____

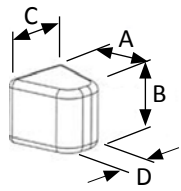


A _____
B _____
C _____
D _____
E _____



Freedom Toddler Easy Order Form

Toddler Medial Pelvic Support Package – Each

Part Number	Description	HCCPS	Price	Shape	Standard Pad Sizing	Custom Pad Size
EE3A-TDLR	Depth Adjustable - Removable Hdwe.– Choice of Pad	(E0957)	\$287	Wedge	Small – 3L x 3H x 3-2 Wedge	 A _____ B _____ C _____ D _____
MOD-3E	Medial Pelvic Support Pad Only	(E0957)	\$206	Oval		
438T	Removable, Adjustable Toddler Medial Hdwe	(E0128)	\$ 80	Round		

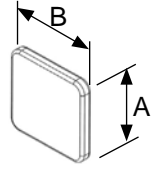
Notes:

Toddler Lateral Pelvic Support Package – Pair

Part Number	Description	HCCPS	Price	Location	Standard Pad Sizing	Custom Pad Size
EE4A-TDLR	Fixed, Flush Toddler Hdwe & Pads	(E0956)	\$287	Hip	Set Up Seat Depth x 3H	 A _____ B _____ C _____ D _____
MOD-4B	Lateral Pelvic Pads Only	(E0956)	\$197	Knee	Pad Profile	
MOD-4A	Contour Pad Modification	(K0108)	\$110		Standard (1" thick)	
450T-2	Fixed, Flush Toddler Lateral Hdwe	(K0108)	\$ 89		Thin (1/2" thick)	

Notes:

Toddler Lateral Thoracic Support Package – Pair

Part Number	Description	HCCPS	Price	Shape	Pad Profile	Std Pad Size	Custom Pad Size
EE5A-TDLR	Fixed, Flush Toddler Hdwe & Pads	(E0956)	\$287	Flat	Standard (1" thick)	4L x 3H	A _____ B _____
EE5E-TDLR	Lift & Swing-Away, Flush Toddler Hdwe & Pads	(E0956 & E1028)	\$573	Curved	Thin (1/2" thick)	5L x 4H	
MOD-5G	Lateral Thoracic Pads Only	(E0956)	\$207	Reverse Curve			
MOD-5F	Protective Boots for Hardware	(K0108)	\$ 63				
MOD-5J	Extended Hardware	(K0108)	\$102				
450T-2	Fixed, Flush Toddler Lateral Hdwe	(K0108)	\$ 89				
455T-2	Lift, Swing-Away Toddler Lateral Hdwe	(E1028)	\$367				

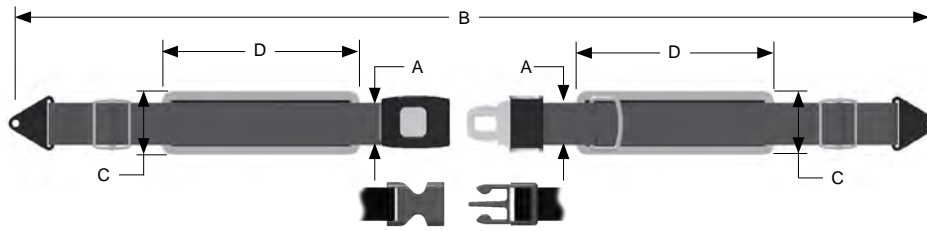
Toddler Headrest Support – Each

Part Number	Headrest Hardware Assemblies	HCCPS	Price			
8100-TDLR	Height, Depth Adjustable - Removable Toddler Hdwe	(E1028)	\$174			
8114-TDLR	Height, Depth, & Angle Adjustable - Removable Toddler Hdwe	(E1028)	\$222			
Headrest Pads						
8156	Chubbie Headrest Pad Only	(E0955)	\$227	X-Sm – 8W x 3H	Small – 10W x 4H	Med – 12W x 5H
8160	Skinny Headrest Pad Only	(E0955)	\$227	X-Sm – 6W x 3.5H	Small – 8W x 4.5H	Med – 10W x 4.5H

Notes:

Freedom Toddler Easy Order Form

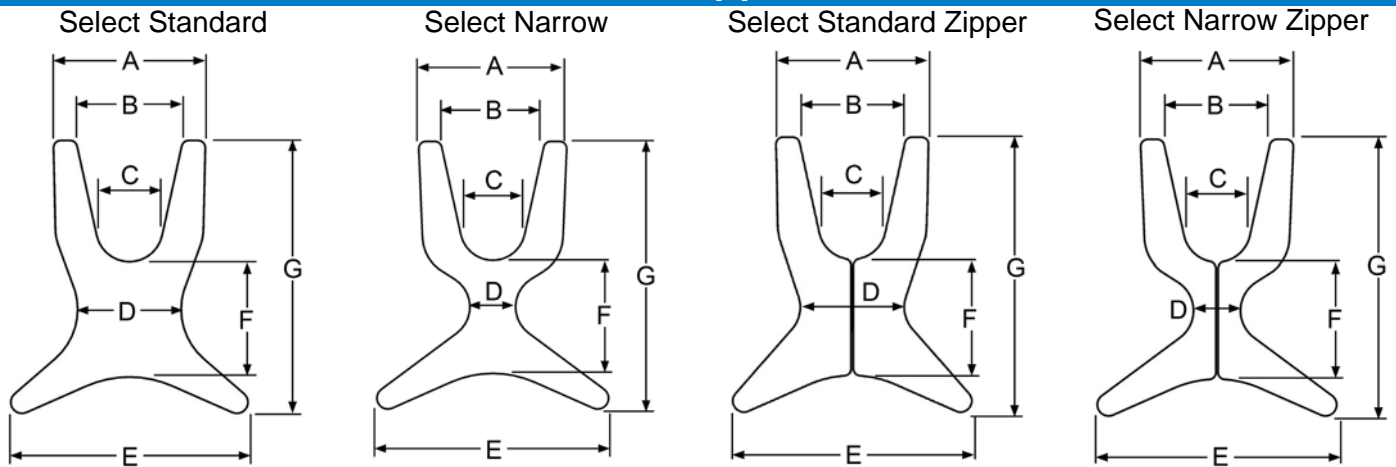
Freedom Select Anterior Pelvic Supports



FREEDOM SELECT 2-POINT PELVIC POSITIONING BELTS - PADDED								FREEDOM SELECT 2-POINT PELVIC POSITIONING BELTS - PADDED							
PUSH BUTTON BUCKLE								SIDE RELEASE BUTTON BUCKLE							
Part Number	Size	Buckle	A	B	C	D	Price	Part Number	Size	Buckle	A	B	C	D	Price
SFDI-3A2MP-XS	XS	MICRO 1"	1	50	1.75	6	\$ 94	SFDI-3A2MS-XS	XS	MICRO 1"	1	50	1.75	6	\$ 68
SFDI-3A2MP-S	S	MICRO 1"	1	55	2.25	7	\$ 94	SFDI-3A2MS-S	S	MICRO 1"	1	55	2.25	7	\$ 68
SFDI-3A2P-S	S	STD 1.5"	1.5	55	2.25	7	\$ 94	SFDI-3A2S-S	S	STD 1.5"	1.5	55	2.25	7	\$ 68
SFDI-3A2P-CUSTOM		QUOTE					\$ 118	SFDI-3A2S-CUSTOM		QUOTE					\$ 94

Notes:

Freedom Select Anterior Trunk Supports



Part Number	Description	A	B	C	D	E	F	G	Price
SFDI-6SNZ-S	Select Standard Small	7.5	4.5	3.25	6	11	5.25	13.75	\$ 161
SFDI-6SNZ-1-S	Select Standard Dual Rear-Pull Small	7.5	4.5	3.25	6	11	5.25	13.75	\$ 161
SFDI-6NNZ-XS	Select Narrow X-Small	6	3	2	2	6.5	4.25	10.5	\$ 161
SFDI-6NNZ-1-XS	Select Narrow Dual Rear-Pull X-Small	6	3	2	2	6.5	4.25	10.5	\$ 161
SFDI-6NNZ-S	Select Narrow Small	7.5	4	2.75	3	11	5.25	13.75	\$ 161
SFDI-6NNZ-1-S	Select Narrow Dual Rear-Pull Small	7.5	4	2.75	3	11	5.25	13.75	\$ 161
SFDI-6SZ-S	Select Standard Zipper Small	7.5	4.5	3.25	6	11	5.25	13.75	\$ 167
SFDI-6SZ-1-S	Select Standard Zipper Dual Rear-Pull Small	7.5	4.5	3.25	6	11	5.25	13.75	\$ 167
SFDI-6NZ-M	Select Narrow Zipper Medium	9.5	6.5	4	3	14.75	7.25	17	\$ 167
SFDI-6NZ-1-M	Select Narrow Zipper Dual Rear-Pull Medium	9.5	6.5	4	3	14.75	7.25	17	\$ 167
SFDI-6CUSTOM	Select Anterior Support Custom Sizing								\$ 235