



Our kids are our passion.™

Freedom Designs, Inc.

Toddler Easy Form



Yes, you can.

Customer Information

Date: _____

Purchase Order #: _____

Dealer / Acct. #: _____

Ship to Street: _____

Ship to City: _____

Ship to State: _____

Ship to Zip Code: _____

Office / Mobile #: _____

Office Fax #: _____

E-mail Address: _____

Quote to: E-mail Fax

Buyer: _____

Marked For: _____

Seating Specifications

A Back Height: _____

B Lateral Height: _____

C Lateral Width: _____

D Hip Width (rear): _____

E Set Up Seat Depth: _____

F Hip Width (front): _____

G "E" + 3" for Growth: _____

H Seat Width: _____

I Back Width: _____

Important Note: To ensure quote accuracy, seat and back width, depth and height dimensions must be provided. Seats and backs over 18" in width, depth or height are subject to oversize charges.

Freedom Install Program

Purchase Order #: _____ of frame for install

Freedom Install Program does not include power wheelchairs.

Wheelchair Specifications

Model: _____

Width: _____

Depth: _____

Upholstery, Monograms, and Designs

Total system covered in one upholstery?

Yes or No

Contact Surface _____

Non-contact Surface _____

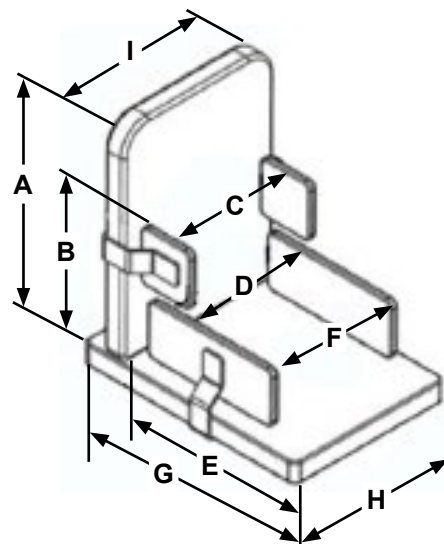
Monogram Name _____

Font - *Script* or Block - Thread Color _____

Design _____

Finished Dimensions

Standard cut is Boltaron with foam rolled over edge.

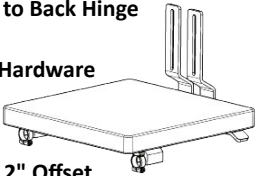
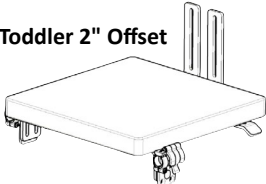
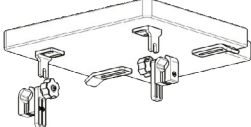
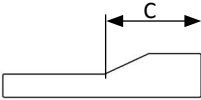
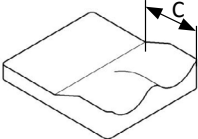


Marked for: _____

Toddler Seating Construction Includes:

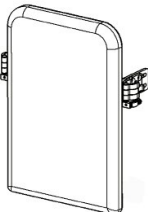
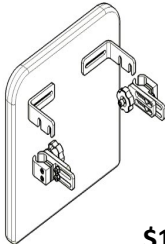
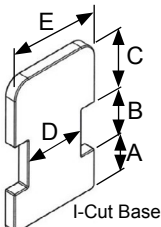
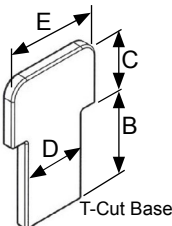
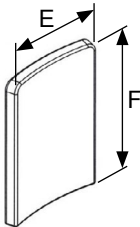
- 1/4" thick Boltaron base material up to 14" x 14" size • Cut full width unless otherwise specified • 2" x 2" back post notches • Full standard "T" nut pattern • 1/2" 4 lb. base foam with 1/2" soft Sunmate foam top layer is standard on Seat & Back • 3 sided zipper closed cover • Backs feature slightly rounded top and bottom corners • Backs are available with flat base material only
- **MAXIMUM WEIGHT CAPACITY 75 lbs.** •

Toddler Solid Seat Insert Packages (E2609)

<p>A EZ LITE1-TDLR 4-Point Toddler Ez-Lite Adjustable Mounting Hdwe With Seat to Back Hinge \$502</p> <p>4 - 504C Toddler EZ-Lite Adjustable Hardware</p> <p>2 - SEZFC Select EZ Frame Clamps</p> <p>1 - 430D Seat to Back Hinge Toddler 2" Offset</p>		<p>B FASTCLAMP1-TDLR 2-Point Toddler Fast-Clamp Adjustable Mounting Hdwe With Seat to Back Hinge \$494</p> <p>2 - 590A Toddler Fast Clamp Adjustable hardware</p> <p>2 - SEZFC Select EZ Frame Clamps</p> <p>2 - 504C Toddler EZ-Lite Adjustable Hardware</p> <p>1 - 430D Seat to Back Hinge Toddler 2" Offset</p>	
<p>C EE1-TDLR 2-Point Mini Econo-Eze Adjustable Mounting Hdwe With Seat to Back Hinge \$646</p> <p>2 - 462G Mini Econo Eze Adjustable Knob Hardware</p> <p>2 - 439A Seat Mount Bracket Mini Econo Eze</p> <p>2 - 504C Toddler Ez-Lite Adjustable Hardware</p> <p>1 - 430D Seat to Back Hinge Toddler 2" Offset</p>			
<p>MOD-1K Anti-Thrust Foam Modification \$191</p> <p>• Height of Anti-Thrust shelf is 1/2"</p> <p>• C= First 1/3 of set-up seat depth (see "E" page 1)</p>		<p>MOD-1WW-TDLR Abduction Flared Toddler Seat Modification N/C</p> <p>MOD-1Y Contour Foam Modification \$326</p> <p>• Adductor height is 1/2"</p> <p>• Height of Anti-Thrust shelf is 1/2"</p> <p>• C= First 1/3 of set-up seat depth (see "E" page 1)</p>	

Notes: _____

Toddler Solid Back Insert Packages (E2617)

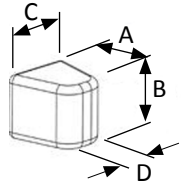
<p>A FASTCLAMP2-TDLR 2-Point Toddler Fast-Clamp Adjustable Mounting Hdwe \$443</p> <p>2 - 590A Toddler Fast Clamp Adjustable Hardware</p> <p>2 - SEZFC Select EZ Frame Clamps</p>		<p>B EE2-TDLR 2-Point Mini Econo-Eze Adjustable Mounting Hardware \$646</p> <p>2 - 462G Mini Econo Eze Adjustable Knob Hardware</p> <p>2 - 437E Back Mount Bracket Mini Econo Eze</p>	
<p>MOD-2H I-Cut Modification \$128</p> <p>MOD-2J T-Cut Modification \$128</p>		<p>A _____</p> <p>B _____</p> <p>C _____</p> <p>D _____</p> <p>E _____</p>	
		<p>MOD-2IA Curved Foam Modification \$105</p>	

Notes: _____



Marked for: _____

Toddler Medial Pelvic Support Package – Each

Part Number	Description	HCCPS	Price	Shape	Standard Pad Sizing	Custom Pad Size
EE3A-TDLR	Depth Adjustable - Removable Hdwe.– Choice of Pad	(E0957)	\$237	Wedge Oval	Small – 3L x 3H x 3-2 Wedge	 A _____ B _____ C _____ D _____
MOD-3E	Medial Pelvic Support Pad Only	(E0957)	\$170	Round		
438T	Removable, Adjustable Toddler Medial Hdwe	(E0128)	\$ 66			

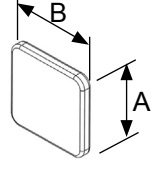
Notes: _____

Toddler Lateral Pelvic Support Package – Pair

Part Number	Description	HCCPS	Price	Location	Standard Pad Sizing	Custom Pad Size
EE4A-TDLR	Fixed, Flush Toddler Hdwe & Pads	(E0956)	\$237	Hip Knee	Set Up Seat Depth x 3H	 A _____ B _____ C _____ D _____
MOD-4B	Lateral Pelvic Pads Only	(E0956)	\$163		Pad Profile	
MOD-4A	Contour Pad Modification	(K0108)	\$180		Standard (1" thick)	
450T-2	Fixed, Flush Toddler Lateral Hdwe	(K0108)	\$ 73		Thin (1/2" thick)	

Notes: _____

Toddler Lateral Thoracic Support Package – Pair

Part Number	Description	HCCPS	Price	Shape	Pad Profile	Std Pad Size	Custom Pad Size
EE5A-TDLR	Fixed, Flush Toddler Hdwe & Pads	(E0956)	\$237	Flat	Standard (1" thick)	4L x 3H	 A _____ B _____
EE5E-TDLR	Lift & Swing-Away, Flush Toddler Hdwe & Pads	(E0956 & E1028)	\$474	Curved Reverse Curve	Thin (1/2" thick)	5L x 4H	
MOD-5G	Lateral Thoracic Pads Only	(E0956)	\$171				
MOD-5F	Protective Boots for Hardware	(K0108)	\$ 54				
MOD-5J	Extended Hardware	(K0108)	\$ 84				
450T-2	Fixed, Flush Toddler Lateral Hdwe	(K0108)	\$ 73				
455T-2	Lift, Swing-Away Toddler Lateral Hdwe	(E1028)	\$304				

Notes: _____

Toddler Headrest Support – Each

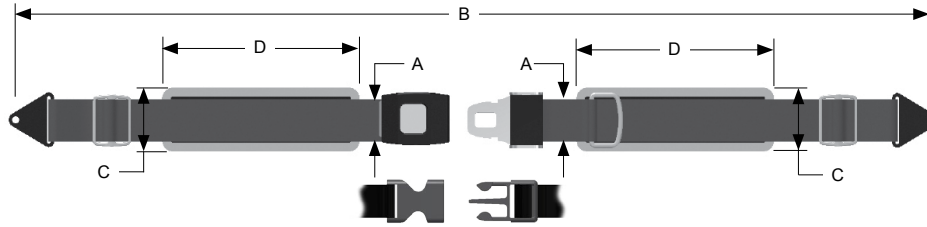
Part Number	Headrest Hardware Assemblies	HCCPS	Price	Standard Pad Sizing	Custom Pad Size
7700-TDLR	Height, Depth Adjustable - Removable Toddler Hdwe	(E1028)	\$144		
7714-TDLR	Height, Depth, & Angle Adjustable - Removable Toddler Hdwe	(E1028)	\$184		
Headrest Pads					
7756	Chubbie Headrest Pad Only	(E0955)	\$188	X-Sm – 8W x 3H	Small – 10W x 4H Med – 12W x 5H
7760	Skinny Headrest Pad Only	(E0955)	\$188	X-Sm – 6W x 3.5H	Small – 8W x 4.5H Med – 10W x 4.5H

Notes: _____



Freedom Select Anterior Pelvic Supports

Marked for:

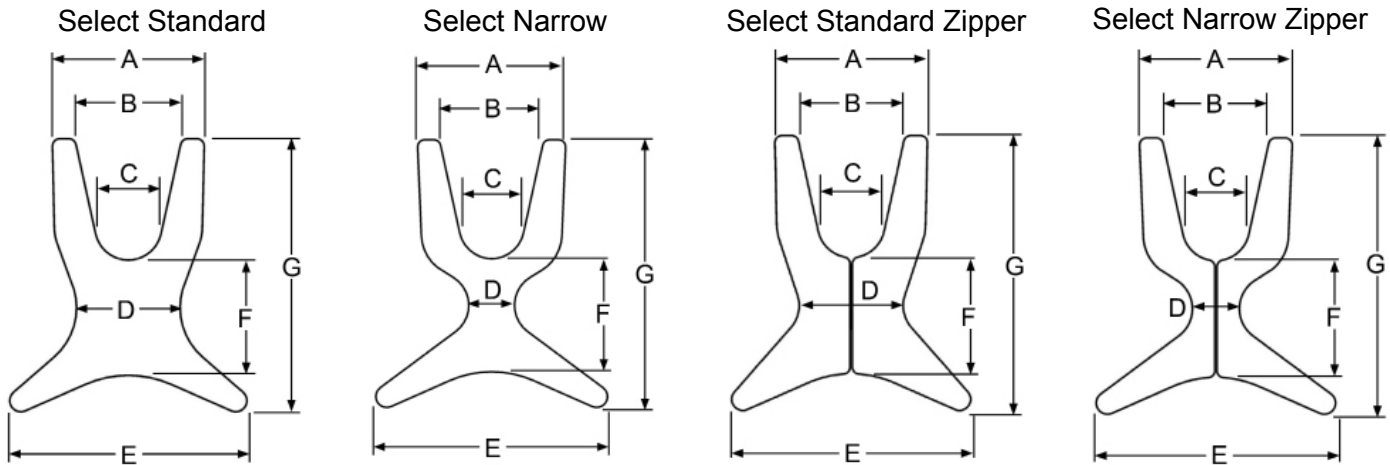


FREEDOM SELECT 2-POINT PELVIC POSITIONING BELTS - PADDED								
PUSH BUTTON BUCKLE								
Part Number	Size	Buckle	A	B	C	D	Price	
SFDI-3A2MP-XS	XS	MICRO 1"	1	50	1.75	6	\$ 77	
SFDI-3A2MP-S	S	MICRO 1"	1	55	2.25	7	\$ 77	
SFDI-3A2P-S	S	STD 1.5"	1.5	55	2.25	7	\$ 77	
SFDI-3A2P-CUSTOM		QUOTE					\$ 97	

FREEDOM SELECT 2-POINT PELVIC POSITIONING BELTS - PADDED								
SIDE RELEASE BUTTON BUCKLE								
Part Number	Size	Buckle	A	B	C	D	Price	
SFDI-3A2MS-XS	XS	MICRO 1"	1	50	1.75	6	\$ 56	
SFDI-3A2MS-S	S	MICRO 1"	1	55	2.25	7	\$ 56	
SFDI-3A2S-S	S	STD 1.5"	1.5	55	2.25	7	\$ 56	
SFDI-3A2S-CUSTOM		QUOTE					\$ 77	

Notes:

Freedom Select Anterior Trunk Supports



Part Number	Description	A	B	C	D	E	F	G	Price
SFDI-6SNZ-S	Select Standard Small	7.5	4.5	3.25	6	11	5.25	13.75	\$ 133
SFDI-6SNZ-1-S	Select Standard Dual Rear-Pull Small	7.5	4.5	3.25	6	11	5.25	13.75	\$ 133
SFDI-6NNZ-XS	Select Narrow X-Small	6	3	2	2	6.5	4.25	10.5	\$ 133
SFDI-6NNZ-1-XS	Select Narrow Dual Rear-Pull X-Small	6	3	2	2	6.5	4.25	10.5	\$ 133
SFDI-6NNZ-S	Select Narrow Small	7.5	4	2.75	3	11	5.25	13.75	\$ 133
SFDI-6NNZ-1-S	Select Narrow Dual Rear-Pull Small	7.5	4	2.75	3	11	5.25	13.75	\$ 133
SFDI-6SZ-S	Select Standard Zipper Small	7.5	4.5	3.25	6	11	5.25	13.75	\$ 138
SFDI-6SZ-1-S	Select Standard Zipper Dual Rear-Pull Small	7.5	4.5	3.25	6	11	5.25	13.75	\$ 138
SFDI-6NZ-M	Select Narrow Zipper Medium	9.5	6.5	4	3	14.75	7.25	17	\$ 138
SFDI-6NZ-1-M	Select Narrow Zipper Dual Rear-Pull Medium	9.5	6.5	4	3	14.75	7.25	17	\$ 138
SFDI-6CUSTOM	Select Anterior Support Custom Sizing								\$ 194

Notes: