

Toddler Seating & Positioning Order Form

"New"

email it!



Freedom Designs, Incorporated
 2241 N Madera Road, Simi Valley, CA 93065
 phone: 800-331-8551 fax: 888-582-1509
 e: customerservice@freedomdesigns.com
 www.freedomdesigns.com

Buyer: _____
 Co./Account: _____
 Location: _____
 Contact #: _____
 P.O. #: _____
 Marked For: _____
 Fax: _____
 Email: _____

Quote Order

Size 1: Seat: 10" Wide x 10" Deep Back: 10" Wide x 10" Tall
 Size 2: Seat: 11" Wide x 11" Deep Back: 11" Wide x 11" Tall
 Size 3: Seat: 12" Wide x 12" Deep Back: 12" Wide x 12" Tall
 Custom Size: Seat: _____ W x _____ D Back: _____ W x _____ T

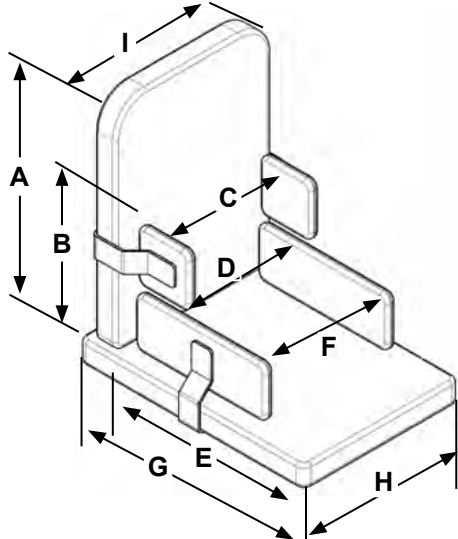
Seating Specifications

- A Back Height: _____
- B Lateral Height: _____
- C Lateral Width: _____
- D Hip Width (rear): _____
- E Set Up Seat Depth: _____
- F Hip Width (front): _____
- G "E" + 3" for Growth: _____
- H Seat Width: _____
- I Back Width: _____

Important Note: To ensure quote accuracy, seat and back width, depth and height dimensions must be provided.

Finished Dimensions

Standard cut is Boltaron with foam rolled over edge.



Wheelchair Specifications

Model: _____
 Width: _____
 Depth: _____

Freedom Designs Upholstery Selections	Seat Base	Back Base	Headrest Pad	Lateral Pads	Hip & Knee Pads
1. Choose Contact / Non-Contact 2. Choose Upholstery 3. Choose Component					
Body Contact Surface					
Bravo "Silver" Anti-Microbial Upholstery					
Choose Standard in Black Only	<input type="checkbox"/>	<input type="checkbox"/>	<input type="checkbox"/>	<input type="checkbox"/>	<input type="checkbox"/>
Choose Reversed in Black Only	<input type="checkbox"/>	<input type="checkbox"/>	<input type="checkbox"/>	<input type="checkbox"/>	<input type="checkbox"/>
Cushioned AirMesh Breathable Upholstery					
Choose Standard	<input type="checkbox"/>	<input type="checkbox"/>	<input type="checkbox"/>	<input type="checkbox"/>	<input type="checkbox"/>
Choose Incontinence Resistance Liner	<input type="checkbox"/>	<input type="checkbox"/>	<input type="checkbox"/>	<input type="checkbox"/>	<input type="checkbox"/>
"Other" Upholstery Options					
Number: _____ Choose	<input type="checkbox"/>	<input type="checkbox"/>	<input type="checkbox"/>	<input type="checkbox"/>	<input type="checkbox"/>
Body Non-Contact Surface					
Bravo Standard Upholstery					
Choose Standard in Black Only	<input type="checkbox"/>	<input type="checkbox"/>	<input type="checkbox"/>	<input type="checkbox"/>	<input type="checkbox"/>
Choose Reversed in Black Only	<input type="checkbox"/>	<input type="checkbox"/>	<input type="checkbox"/>	<input type="checkbox"/>	<input type="checkbox"/>
Cushioned AirMesh Breathable Upholstery					
Choose Standard	<input type="checkbox"/>	<input type="checkbox"/>	<input type="checkbox"/>	<input type="checkbox"/>	<input type="checkbox"/>
Choose Incontinence Resistance Liner	<input type="checkbox"/>	<input type="checkbox"/>	<input type="checkbox"/>	<input type="checkbox"/>	<input type="checkbox"/>
"Other" Upholstery Options					
Number: _____ Choose	<input type="checkbox"/>	<input type="checkbox"/>	<input type="checkbox"/>	<input type="checkbox"/>	<input type="checkbox"/>
Monogram Option					
Name: _____	When ordering choose either Monogram or Embroidery				
Script <input type="checkbox"/>					
Block <input type="checkbox"/>					
Thread Color: _____					
Embroidery Option					
Design: _____					
<input type="checkbox"/> Freedom Install Program Purchase Order #: _____ of frame for install Freedom Install Program does not include power wheelchairs.					

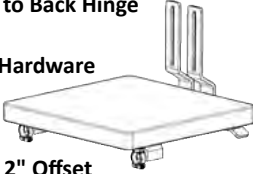
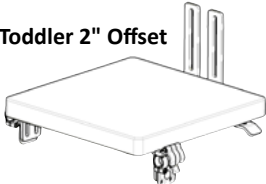
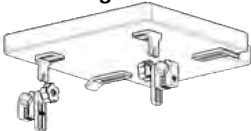
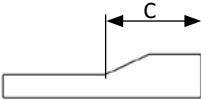
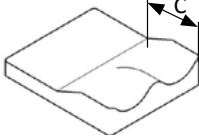


Marked for:

Toddler Seating Construction Includes:


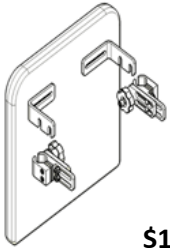
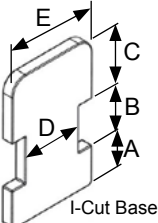
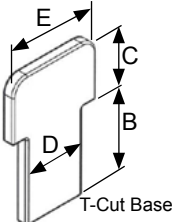
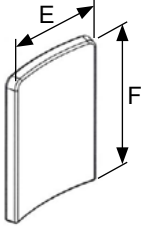
- 1/4" thick Boltaron base material up to 14" x 14" size • Cut full width unless otherwise specified • 2" x 2" back post notches • Full standard "T" nut pattern • 1/2" 4 lb. base foam with 1/2" soft Sunmate foam top layer is standard on Seat & Back • 3 sided zipper closed cover • Backs feature slightly rounded top and bottom corners • Backs are available with flat base material only
- **MAXIMUM WEIGHT CAPACITY 75 lbs.** •

Toddler Solid Seat Insert Packages (E2609)

- | | | | |
|---|---|---|---|
| <p><input type="checkbox"/> A EZ LITE1-TDLR 4-Point Toddler Ez-Lite Adjustable Mounting Hdwe With Seat to Back Hinge \$492</p> <p>4 - 504C Toddler EZ-Lite Adjustable Hardware</p> <p>2 - SEZFC Select EZ Frame Clamps</p> <p>1 - 430D Seat to Back Hinge Toddler 2" Offset</p> |  | <p><input type="checkbox"/> B FASTCLAMP1-TDLR 2-Point Toddler Fast-Clamp Adjustable Mounting Hdwe With Seat to Back Hinge \$484</p> <p>2 - 590A Toddler Fast Clamp Adjustable hardware</p> <p>2 - SEZFC Select EZ Frame Clamps</p> <p>2 - 504C Toddler EZ-Lite Adjustable Hardware</p> <p>1 - 430D Seat to Back Hinge Toddler 2" Offset</p> |  |
| <p><input type="checkbox"/> C EE1-TDLR 2-Point Mini Econo-Eze Adjustable Mounting Hdwe With Seat to Back Hinge \$633</p> <p>2 - 462G Mini Econo Eze Adjustable Knob Hardware</p> <p>2 - 439A Seat Mount Bracket Mini Econo Eze</p> <p>2 - 504C Toddler Ez-Lite Adjustable Hardware</p> <p>1 - 430D Seat to Back Hinge Toddler 2" Offset</p> |  | | |
| <p><input type="checkbox"/> MOD-1K Anti-Thrust Foam Modification \$187</p> <p> • Height of Anti-Thrust shelf is 1/2"</p> <p>• C= First 1/3 of set-up seat depth (see "E" page 1)</p> | | <p><input type="checkbox"/> MOD-1WW-TDLR Abduction Flared Toddler Seat Modification N/C</p> <p><input type="checkbox"/> MOD-1Y Contour Foam Modification \$320</p> <p> • Adductor height is 1/2"</p> <p>• Height of Anti-Thrust shelf is 1/2"</p> <p>• C= First 1/3 of set-up seat depth (see "E" page 1)</p> | |

Notes: _____

Toddler Solid Back Insert Packages (E2617)

- | | | | |
|--|---|--|---|
| <p><input type="checkbox"/> A FASTCLAMP2-TDLR 2-Point Toddler Fast-Clamp Adjustable Mounting Hdwe \$434</p> <p>2 - 590A Toddler Fast Clamp Adjustable Hardware</p> <p>2 - SEZFC Select EZ Frame Clamps</p> |  | <p><input type="checkbox"/> B EE2-TDLR 2-Point Mini Econo-Eze Adjustable Mounting Hardware \$633</p> <p>2 - 462G Mini Econo Eze Adjustable Knob Hardware</p> <p>2 - 437E Back Mount Bracket Mini Econo Eze</p> |  |
| <p><input type="checkbox"/> MOD-2H I-Cut Modification \$114</p> <p><input type="checkbox"/> MOD-2J T-Cut Modification \$114</p> | | <p><input type="checkbox"/> MOD-2IA Curved Foam Modification \$103</p> | |
| <p> I-Cut Base</p> <p>A _____</p> <p>B _____</p> <p>C _____</p> <p>D _____</p> <p>E _____</p> | | <p> T-Cut Base</p> | |
| | | <p> E _____</p> <p>F _____</p> | |

Notes: _____

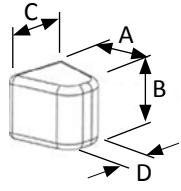


Toddler Seating & Positioning Order Form

Purchase Order # _____

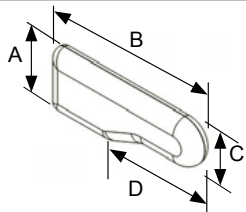
Marked for: _____

Toddler Medial Pelvic Support Package – Each

Part Number	Description	HCCPS	Price	Shape	Standard Pad Sizing	Custom Pad Size
<input type="checkbox"/> EE3A-TDLR	Depth Adjustable - Removable Hdwe.– Choice of Pad	(E0957)	\$232	<input type="checkbox"/> Wedge <input type="checkbox"/> Oval	<input type="checkbox"/> Small – 3L x 3H x 3-2 Wedge	 A _____ B _____ C _____ D _____
<input type="checkbox"/> MOD-3E	Medial Pelvic Support Pad Only	(E0957)	\$167	<input type="checkbox"/> Round		
<input type="checkbox"/> 438T	Removable, Adjustable Toddler Medial Hdwe	(E0128)	\$ 65			

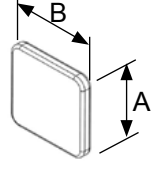
Notes:

Toddler Lateral Pelvic Support Package – Pair

Part Number	Description	HCCPS	Price	Location	Standard Pad Sizing	Custom Pad Size
<input type="checkbox"/> EE4A-TDLR	Fixed, Flush Toddler Hdwe & Pads	(E0956)	\$232	<input type="checkbox"/> Hip <input type="checkbox"/> Knee	<input type="checkbox"/> Set Up Seat Depth x 3H	 A _____ B _____ C _____ D _____
<input type="checkbox"/> MOD-4B	Lateral Pelvic Pads Only	(E0956)	\$160		Pad Profile <input type="checkbox"/> Standard (1" thick)	
<input type="checkbox"/> MOD-4A	Contour Pad Modification	(K0108)	\$176		<input type="checkbox"/> Thin (1/2" thick)	
<input type="checkbox"/> 450T-2	Fixed, Flush Toddler Lateral Hdwe	(K0108)	\$ 72			

Notes:

Toddler Lateral Thoracic Support Package – Pair

Part Number	Description	HCCPS	Price	Shape	Pad Profile	Std Pad Size	Custom Pad Size
<input type="checkbox"/> EE5A-TDLR	Fixed, Flush Toddler Hdwe & Pads	(E0956)	\$232	<input type="checkbox"/> Flat	<input type="checkbox"/> Standard (1" thick)	<input type="checkbox"/> 4L x 3H	A _____ B _____
<input type="checkbox"/> EE5E-TDLR	Lift & Swing-Away, Flush Toddler Hdwe & Pads	(E0956 & E1028)	\$465	<input type="checkbox"/> Curved <input type="checkbox"/> Reverse Curve	<input type="checkbox"/> Thin (1/2" thick)	<input type="checkbox"/> 5L x 4H	
<input type="checkbox"/> MOD-5G	Lateral Thoracic Pads Only	(E0956)	\$168				
<input type="checkbox"/> MOD-5F	Protective Boots for Hardware	(K0108)	\$ 53				
<input type="checkbox"/> MOD-5J	Extended Hardware	(K0108)	\$ 82				
<input type="checkbox"/> 450T-2	Fixed, Flush Toddler Lateral Hdwe	(K0108)	\$ 72				
<input type="checkbox"/> 455T-2	Lift, Swing-Away Toddler Lateral Hdwe	(E1028)	\$298				

Notes:

Toddler Headrest Support – Each

Part Number	Headrest Hardware Assemblies	HCCPS	Price	Headrest Pads		
<input type="checkbox"/> 7700-TDLR	Height, Depth Adjustable - Removable Toddler Hdwe	(E1028)	\$141			
<input type="checkbox"/> 7714-TDLR	Height, Depth, & Angle Adjustable - Removable Toddler Hdwe	(E1028)	\$180			
<input type="checkbox"/> 7756	Chubbie Headrest Pad Only	(E0955)	\$184	<input type="checkbox"/> X-Sm – 8W x 3H	<input type="checkbox"/> Small – 10W x 4H	<input type="checkbox"/> Med – 12W x 5H
<input type="checkbox"/> 7760	Skinny Headrest Pad Only	(E0955)	\$184	<input type="checkbox"/> X-Sm – 6W x 3.5H	<input type="checkbox"/> Small – 8W x 4.5H	<input type="checkbox"/> Med – 10W x 4.5H

Notes:

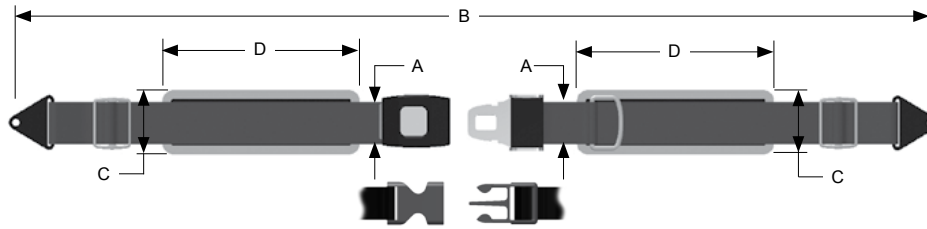


Toddler Seating & Positioning Order Form

Purchase Order #

Freedom Select Anterior Pelvic Supports

Marked for:

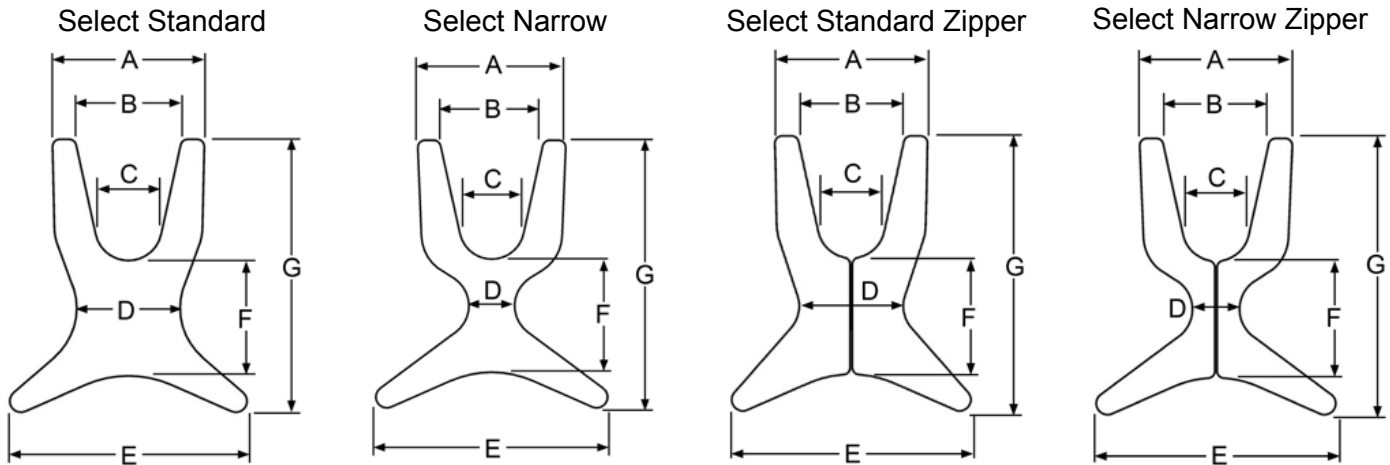


FREEDOM SELECT 2-POINT PELVIC POSITIONING BELTS - PADDED								
PUSH BUTTON BUCKLE								
Part Number	Size	Buckle	A	B	C	D	Price	
<input type="checkbox"/> SFDI-3A2MP-XS	XS	MICRO 1"	1	50	1.75	6	\$75.00	
<input type="checkbox"/> SFDI-3A2MP-S	S	MICRO 1"	1	55	2.25	7	\$75.00	
<input type="checkbox"/> SFDI-3A2P-S	S	STD 1.5"	1.5	55	2.25	7	\$75.00	
<input type="checkbox"/> SFDI-3A2P-CUSTOM		QUOTE					\$95.00	

FREEDOM SELECT 2-POINT PELVIC POSITIONING BELTS - PADDED								
SIDE RELEASE BUTTON BUCKLE								
Part Number	Size	Buckle	A	B	C	D	Price	
<input type="checkbox"/> SFDI-3A2MS-XS	XS	MICRO 1"	1	50	1.75	6	\$55.00	
<input type="checkbox"/> SFDI-3A2MS-S	S	MICRO 1"	1	55	2.25	7	\$55.00	
<input type="checkbox"/> SFDI-3A2S-S	S	STD 1.5"	1.5	55	2.25	7	\$55.00	
<input type="checkbox"/> SFDI-3A2S-CUSTOM		QUOTE					\$75.00	

Notes:

Freedom Select Anterior Trunk Supports



Part Number	Description	A	B	C	D	E	F	G	Price
<input type="checkbox"/> SFDI-6SNZ-S	Select <i>Standard</i> Small	7.5	4.5	3.25	6	11	5.25	13.75	\$ 130
<input type="checkbox"/> SFDI-6SNZ-1-S	Select <i>Standard</i> Dual Rear-Pull Small	7.5	4.5	3.25	6	11	5.25	13.75	\$ 130
<input type="checkbox"/> SFDI-6NNZ-XS	Select <i>Narrow</i> X-Small	6	3	2	2	6.5	4.25	10.5	\$ 130
<input type="checkbox"/> SFDI-6NNZ-1-XS	Select <i>Narrow</i> Dual Rear-Pull X-Small	6	3	2	2	6.5	4.25	10.5	\$ 130
<input type="checkbox"/> SFDI-6NNZ-S	Select <i>Narrow</i> Small	7.5	4	2.75	3	11	5.25	13.75	\$ 130
<input type="checkbox"/> SFDI-6NNZ-1-S	Select <i>Narrow</i> Dual Rear-Pull Small	7.5	4	2.75	3	11	5.25	13.75	\$ 130
<input type="checkbox"/> SFDI-6SZ-S	Select <i>Standard</i> Zipper Small	7.5	4.5	3.25	6	11	5.25	13.75	\$ 135
<input type="checkbox"/> SFDI-6SZ-1-S	Select <i>Standard</i> Zipper Dual Rear-Pull Small	7.5	4.5	3.25	6	11	5.25	13.75	\$ 135
<input type="checkbox"/> SFDI-6SZ-S	Select <i>Narrow</i> Zipper Small	7.5	4	2.75	3	11	5.25	13.75	\$ 135
<input type="checkbox"/> SFDI-6SZ-1-S	Select <i>Narrow</i> Zipper Dual Rear-Pull Small	7.5	4	2.75	3	11	5.25	13.75	\$ 135
<input type="checkbox"/> SFDI-6CUSTOM	Select Anterior Support Custom Sizing								\$ 190

Notes:



*** FREE * FREE * FREE * FREE * FREE * FREE ***

Freedom Designs & Pindot

Are Pleased To Announce

“A Sizzling Summer Sensation”

And For a Limited Time It's...

FREE * FREE * FREE

When ordering any

Freedom Wheelchair and

a complete Freedom or Pindot

seating system including seat,

back, and attachment hardware,

simply provide the frame Quote

or frame PO number

and receive a

Freedom Canopy and

Freedom Backpack

*** FREE * FREE * FREE * FREE * FREE * FREE ***