

Instruction — LEAF & MAPS Adjustment



Our kids are our passion.™

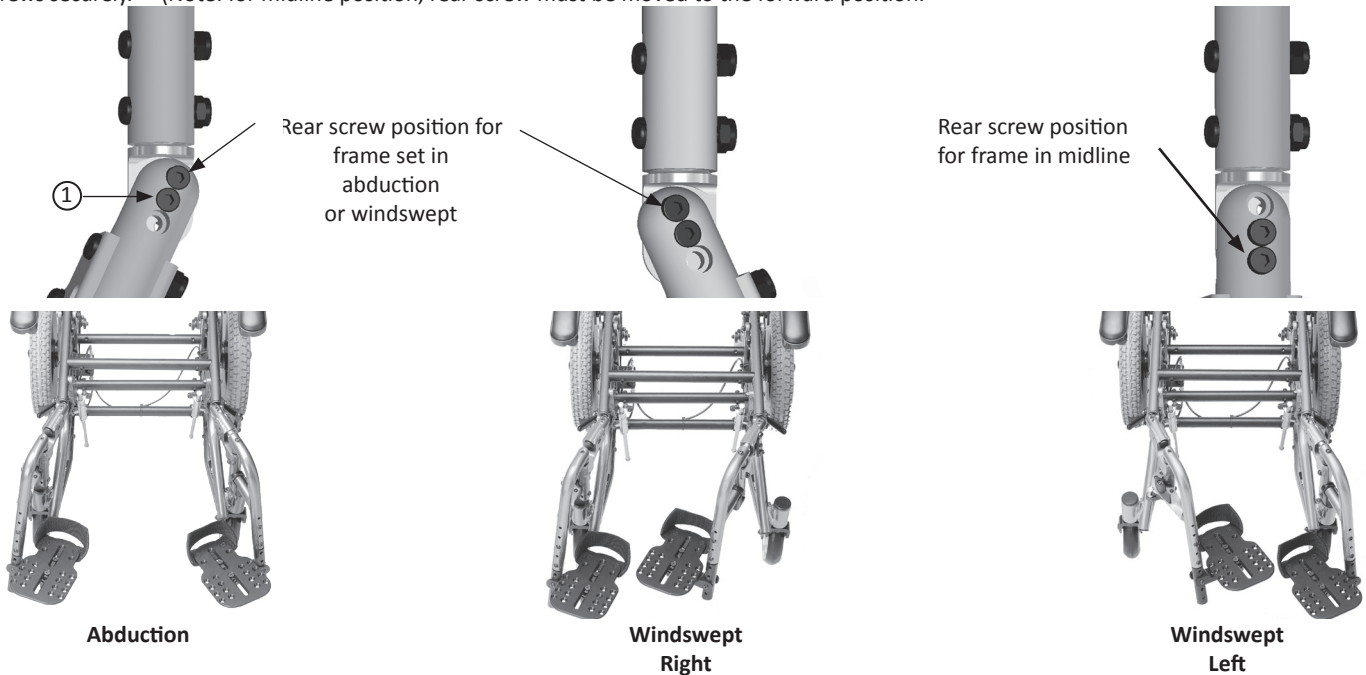
Freedom Designs, Incorporated
 2241 N Madera Road, Simi Valley, CA 93065
 phone: 800-331-8551 fax: 888-582-1509
 e: customerservice@freedomdesigns.com
 www.freedomdesigns.com

Tools needed:

- 5/32" Hex key wrench
- 3/16" Hex key wrench
- 7/16" Combination wrench
- 1/2" Combination wrench

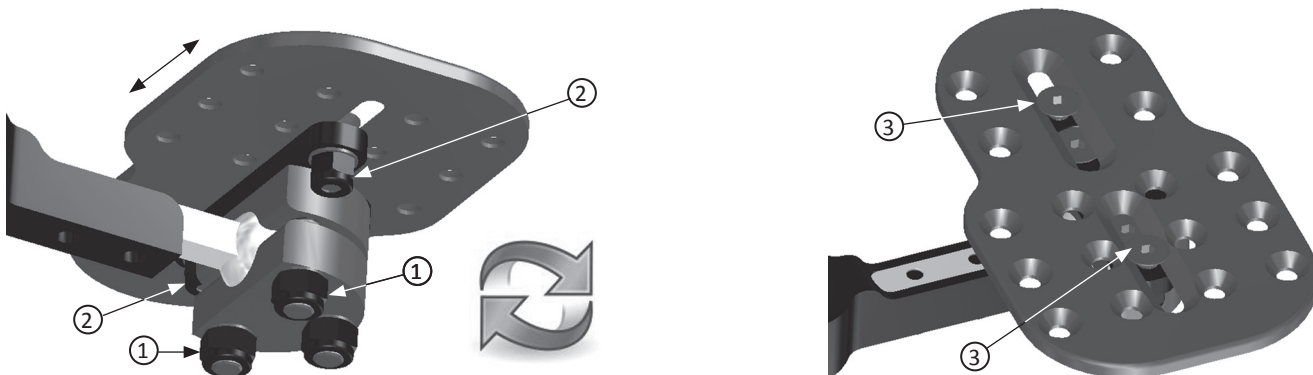
LEAF Adjustment Instructions:

1. Loosen center ① 1/4-20 socket head screw using a 3/16" Allen wrench (do not remove).
2. Remove rear 1/4-20 socket head screw using the 3/16" Allen wrench and re-position for left, right or midline position as shown above. Tighten both screws securely. (Note: for midline position, rear screw must be moved to the forward position.)



MAPS Adjustment Instructions:

1. To adjust footplate angle position, loosen nuts ① using a 1/2" combination wrench. Position footplate and re-tighten.
2. To adjust footplate depth, loosen nuts ② using a 7/16" combination wrench while holding bolts ③ using a 1/2" Allen wrench.



Eversion



Inversion



Rotation



Plantar / Dorsi Flexion