

- With transport package
- Without transport package

Supplier:

This manual must be given to the rider of this wheelchair

Rider:

Before using this wheelchair read this entire manual and save for future reference

Freedom SP3



OPERATING MANUAL



FREEDOM DESIGNS, INC.

2241 Madera Rd., Simi Valley, CA 93065 (800)331-8551 (805) 582-0077 FAX (888) 582-1509

Introduction

Congratulations on your purchase of the Freedom Designs, Inc. *SP3* wheelchair. These chairs combine state-of-the-art technology with durability and function to meet all of your changing needs. This Operating Manual will provide you with a detailed guide for proper assembly as well as instructions on the care of your new wheelchair. Please follow the instructions carefully, paying special attention to the Safety Precaution section. It is important that you read the entire Operating Manual before operating the wheelchair. After consulting your Operating Manual, if you feel you have further questions, please contact one of our Authorized Dealers or our Customer Service Department at:

(800) 331-8551

Again, thank you for your purchasing a Freedom Designs, Inc. *SP3*

This manual revised on January 19, 2006

Serial # _____

Reference Phone Numbers:

Home Medical Equipment Supplier Name _____

Phone # _____

Home Health Care Agency Name _____

Phone # _____

Doctor Name _____

Phone # _____

Table of Contents

	Page #
Introduction	1
Table of Contents	2-3
General Warnings	4-6
Weight Limit	4
Every Wheelchair is Different	4
Reduction of Risk of an Accident	4
Safety Checklist	4
Adjustments	5
Environmental Conditions	5
Terrain	5
Street Use	5
Motor Vehicle Safety	6
Transport Option	6
Assistance	6
Warnings: Falls & Tip-Overs	7-11
Center of Balance	7
Dressing or Changing Clothes	7
Wheelies	7
Obstacles	8
Reaching or Leaning	8
Moving Backward	9
Ramps, Slopes & Side Hills	9
Transfer	10
Curbs and Steps	10
Stairs and Escalators	11
Warnings: For Safe Use	11-13
Transport Use	11
Descending a Curb or Single Step	11-12
Climbing a curb or Single Step	12
Climbing Stairs	12
Descending Stairs	12
Maintenance	13
Warnings: Components and Options	13-17
Transport Option	13
Anti-Tip Tubes	13-14
Armrests	14
Cushions & Sling Seats	14
Fasteners	14
Pneumatic Tires	14-15
Footrests	15
Positioning Belts	15
Power Drive	15
Push Handles	15

	Page #
Quick Release Axles	15-16
Rear Wheels	16
Rear Wheel Locks	16
Modified Seating Systems	16
Upholstery Fabric	17
Initial Inspection Checklist	18
Specifications	19
Features	20
Unfolding the SP3	21-23
Folding the SP3	24-26
Main Frame	27-36
1. Anti-Tips	27
2. Wheels & Tires	27
3. Latch-Style Swing Away Hangers	28
4. Pop-up Style Swing Away Hangers	29
5. Flip-up Individual Footplates	30-31
6. Angle Adjustable Footboard	31-33
7. Quick Release Axles	33
8. Flip Back & “T”- Armrests	34
9. Casters	35
10. Push to Lock Wheel Locks	35
11. Wheel Lock Options	35
12. Hub Locks	36
SP3 Adjustments	37-39
1. Backposts	37
2. Armrest Adjustments	37
2. Caster Fork Adjustments	38
3. Wheel Lock Adjustments	38
4. Rear Axle Adjustments	39
Reverse Configuration	40
Cleaning	41
Maintenance	41
Storage	41
Troubleshooting	42
Summary	43
Index	44
Warranty	45

General Warnings

Warnings & Caution statements included in this manual describe conditions and unsafe practices which might result in bodily injury or property damage. Read this entire manual before assembly or operation of this wheelchair. If you do not understand any of the instructions in this manual, call your authorized Freedom Designs, Inc. dealer. Note: Where they apply, you will also find “Warnings” in other sections of this manual. Heed all warnings in this section. *If you fail to heed these warnings, damage to your chair, a fall, tip-over or loss of control may occur and cause severe injury to the rider or others*

WARNING: The **weight limit** for the **SP3 non-tilt** is a 250 lb. person. If the person exceeds the weight limit, damage to your chair, a fall, tip-over or loss of control may cause severe injury to the rider or others.

WARNING: **Every wheelchair is different.** Become familiar with your chair before you begin riding. Start slowly, with easy, smooth strokes. Be careful not to use too much force, which might result in tipping over, damage to your chair, a fall or loss of control, which may occur and cause severe injury to the rider or others.

WARNING: Reduction of Risk of an Accident:

1. BEFORE riding, you should be trained in the safe use of this chair by your health care advisor.
2. Practice bending, reaching and transfers until you know the limit of your ability. In order to avoid tipping over, have someone help you, until you know what can cause a fall.
3. Be aware that you must develop your own methods for safe use best suited to your level of function and ability.
4. NEVER try a new maneuver on your own, until you are sure you can do it safely.
5. Get to know the areas where you plan to use your chair. Look for hazards and learn how to avoid them.
6. Always use anti-tip tubes downward, so as you are not at risk to tip over.

If you fail to heed these warnings, damage to your chair, a fall, tip-over or loss of control may occur and cause severe injury to the rider or others.

WARNING: Safety Checklist

Before each use of your chair:

1. Make sure the chair rolls easily and that all parts work smoothly. Check for noise, vibration, or a change in ease of use. (They may indicate low tire pressure, loose fasteners, or damage to your chair).
2. Repair any problems. Consult your Freedom Designs, Inc. authorized dealer for help in finding or correcting the problem.
3. Check to see that both quick-release axles are locked. When locked, the axle button will “pop out” fully. If not locked, the wheel may come off and cause you to fall.
4. Anti-tip tubes need to be locked in the downward position during usage.

If you fail to heed these warnings, damage to your chair, a fall, tip-over or loss of control may occur and cause severe injury to the rider or others.

WARNING: Adjustments

1. If you modify or adjust this chair, it may increase the risk of a tip-over UNLESS you make other changes as well.
2. Before any adjustments or modifications are made to your chair, consult your authorized Freedom Designs, Inc. dealer.
3. Do not remove the anti-tippers at any time. Removal may cause the chair to tip over.
4. Unauthorized modifications or use of parts not supplied or approved by Freedom Designs, Inc. may damage the chair structure. This will void the warranty and may cause a safety hazard.

If you fail to heed these warnings, damage to your chair, a fall, tip-over or loss of control may occur and cause severe injury to the rider or others.

WARNING: Environmental Conditions

1. Use extra care if you must ride your chair on a wet or slick surface. Ask for help, if you are in doubt.
2. Contact with water or excess moisture may cause your chair to rust or corrode. This could cause your chair to fail.
 - a. Do not use your chair in a shower, pool or other body of water. The chair tubing and parts are not watertight and may rust or corrode from the inside.
 - b. Avoid excess moisture, (for example, do not leave your chair in a damp bathroom while taking a shower).
 - c. Dry your chair as soon as you can if it gets wet, or if you use water to clean it.

If you fail to heed these warnings, damage to your chair, a fall, tip-over or loss of control may occur and cause severe injury to the rider or others.

WARNING: Terrain

1. Your chair is designed for use on firm, even surfaces such as concrete, asphalt and indoor floors and carpeting.
2. Do not operate your chair in sand, loose soil or over rough terrain. This may damage wheels or axles or loosen fasteners of your chair.

If you fail to heed these warnings, damage to your chair, a fall, tip-over or loss of control may occur and cause severe injury to the rider or others.

WARNING: Street Use

In most states, wheelchairs are not legal for use on public roads. Be alert to the danger of motor vehicles on roads or in parking lots.

1. At night, or when lighting is poor, use reflective tape on your chair and clothing.
2. Due to your low position, it may be hard for drivers to see you. Make eye contact with drivers before you go forward. When in doubt, yield until you are sure it is safe.

If you fail to heed these warnings, damage to your chair, a fall, tip-over or loss of control may occur and cause severe injury to the rider or others.

WARNING: Motor Vehicle Safety

As identified on the front cover of this user manual, identify whether your chair has been manufactured with the Transport Option installed.

WARNING: If your chair is not equipped with the Transport Option:

SP3 wheelchairs do not meet federal standards for motor vehicle seating.

1. NEVER let anyone sit in this chair while in a moving vehicle.
 - a. ALWAYS move the rider to an approved vehicle seat.
 - b. ALWAYS secure the rider with proper motor vehicle restraints
2. In an accident or sudden stop, the rider may be thrown from the chair. Wheelchair hip belts will not prevent this, and further injury may result from the belts or straps.
3. NEVER transport this chair in the front seat of a vehicle. It may shift and interfere with the driver.
4. ALWAYS secure this chair so that it cannot roll or shift.
5. Do not use any chair that has been involved in a motor vehicle accident.

If you fail to heed these warnings, damage to your chair, a fall, tip-over or loss of control may occur and cause severe injury to the rider or others.

If your chair is equipped with the Transport Option, see the Transport Option Warnings on Pages 11, 12, 13 & 14.

Assistance

WARNING: For the Rider:

Everyone who helps you, needs to read and follow all warnings and instructions that apply.

For Attendants

1. Work with the rider's doctor, nurse or therapist to learn safe methods best suited to your abilities and those of the rider.
2. Tell the rider what you plan to do and explain what you expect the rider to do. This will put the rider at ease and reduce the risk of an accident
3. Make sure the chair has push handles. They provide secure points for you to hold the rear of the chair to prevent a fall or tip-over. Check to make sure push handle grips will not rotate or slip off.
4. To prevent injury to your back, use good posture and proper body mechanics. When you lift or support the rider, bend your knees slightly and keep your back as straight as you can.
5. Remind the rider to lean back when you tilt the chair backward.
6. When you descend a curb or single step, slowly lower the chair in one easy movement. Do not let the chair drop the last few inches to the ground. This may damage the chair or injure the rider.
7. To avoid tripping, unlock and rotate the anti-tip tubes up, out of the way. ALWAYS lock the rear wheels and lock anti-tip tubes in place if you must leave the rider alone, even for a moment. This will reduce the risk of a tip over or loss of control of the chair.

If you fail to heed these warnings, damage to your chair, a fall, tip-over or loss of control may occur and cause severe injury to the rider or others.

WARNING: FALLS & TIP-OVERS

WARNING: Center of Balance

The point where this chair will tip forward, back or to the side depends on its center of balance and stability. How your chair is setup, the options you select and the changes you make affect the risk of fall or tip-over.

1. The Most Important Adjustments Are:
 - a. The position of the rear wheels. The more you move the rear wheels forward, the more likely your chair will tip over backward.
2. The Center of Balance is Also Affected By:
 - a. A change in setup of your chair, including:
 1. The distance between rear wheels.
 2. The amount of rear wheel camber.
 3. The seat height, seat angle and position on frame.
 4. Backrest angle.
 - b. A change in your body position, posture or weight distribution.
 - c. The use of a back pack or other options, and amount of added weight.
3. To Reduce the Risk of an Accident:
 - a. Consult your doctor, nurse or therapist to find out what axle and caster position is best for you.
 - b. Consult your authorized Freedom Designs, Inc. dealer BEFORE you modify or adjust this chair. Be aware that you may need to make other changes to correct the center of balance.
 - c. Have someone help you until you know the balance points of your chair and how to avoid a tip-over.
 - d. Use anti-tip tubes.

If you fail to heed these warnings, damage to your chair, a fall, tip-over or loss of control may occur and cause severe injury to the rider or others.

WARNING: Dressing or Changing Clothes

Your weight may shift, if you dress or change clothes while seated in this chair. To reduce the risk of a fall or tip-over:

1. Rotate the front casters until they are as far forward as possible. This makes the chair more stable.
2. Lock anti-tip tubes in place.
3. Lock wheel locks into place.

If you fail to heed these warnings, damage to your chair, a fall, tip-over or loss of control may occur and cause severe injury to the rider or others.

WARNING: Wheelies

“Wheelies”, (tilting the wheelchair backward to its balance point), are extremely dangerous, as the chair may tip over. Freedom Designs, Inc. recommends that “wheelies” not be attempted.

WARNING: Obstacles

Obstacles and road hazards (such as potholes and broken pavement), can damage your chair and may cause a fall, tip-over or loss of control.

To avoid these risks:

1. Keep a lookout for danger—scan the area well ahead of your chair as you ride.
2. Make sure the floor area where you live and work are level and free of obstacles.
3. Remove or cover threshold strips between rooms.
4. Install a ramp at entry or exit doors. Make sure there is not a drop off at the bottom of the ramp.
5. To Help Correct Your Center of Balance:
 - a. Lean your upper body FORWARD slightly as you go UP over an obstacle.
 - b. Press your upper body BACKWARD as you go DOWN from a higher to a lower level.
6. If your chair has anti-tip tubes, lock them in place before you go UP over an obstacle.
7. Keep both of your hands on the handrims as you go over an obstacle.
8. Never push or pull on an object, (such as furniture or a doorjamb), to propel your chair.

If you fail to heed these warnings, damage to your chair, a fall, tip-over or loss

WARNING: *of control may occur and cause severe injury to the rider or others.*

Reaching or Leaning

If you reach or lean, it will affect the center of balance. Of your chair. This may cause you to fall or tip over. When in doubt, ask for help or use a device to extend your reach.

1. NEVER reach or lean if you must shift your weight sideways or rise up off the seat.
2. NEVER reach or lean if you must move forward in your seat to do so. Always keep your buttocks in contact with the backrest.
3. NEVER reach with both hands, (you may not be able to catch yourself to prevent a fall if the chair tips).
4. NEVER reach or lean to the rear unless your chair has anti-tip tubes locked in place.
5. DO NOT reach or lean over the top of the seat back. This may damage one or both backrest tubes and cause you to fall.
6. If you must reach or lean:
 - a. Do not lock the rear wheels. This creates a tip point and makes a fall or tip-over more likely.
 - b. Do not put pressure on the footrests.

Note: Leaning forward puts pressure on the footrests and may cause the chair to tip if you lean too far.

- c. Move your chair as close as you can to the object you wish to reach.
- d. Do not try to pick up an object from the floor by reaching down between your knees. You are less likely to tip if you reach to the side of your chair.

- e. Rotate the front casters until they are as far forward as possible. This makes the chair more stable.

Note: To do this: Move your chair past the object you want to reach, then back up alongside it. Backing up will rotate the casters forward.

- f. Firmly grasp a rear wheel or an armrest with one hand. This will help to prevent a fall if the chair tips.

WARNING:

If you fail to heed these warnings, damage to your chair, a fall, tip-over or loss of control may occur and cause severe injury to the rider or others.

Moving Backward

Use extra care when you move backward. Your chair is not stable when you propel yourself rearward. You may lose control or tip over if one of the rear wheels hits an object and stops rolling.

1. Propel your chair slowly and smoothly.
2. If your chair has anti-tip tubes, make sure to lock them in place.
3. Stop often and check to be sure your path is clear.

WARNING:

If you fail to heed these warnings, damage to your chair, a fall, tip-over or loss of control may occur and cause severe injury to the rider or others.

Ramps, Slopes & Side Hills

Riding on a slope, which includes a ramp or side hill, will change the center of balance of your chair. Your chair is less stable when it is at an angle. Anti-tip tubes may not prevent a fall or tip-over.

1. Do not use your chair on a slope steeper than 10%. (A 10% slope means: one foot in elevation for every ten feet of slope length).
2. Always go as straight up and as straight down as you can. (do not “cut the corner” on a slope or ramp).
3. Do not turn or change direction on a slope.
4. Always stay in the CENTER of the ramp. Make sure ramp is wide enough that you are not at risk that a wheel may fall over the edge.
5. Do not stop on a steep slope. If you stop, you may lose control of your chair.
6. NEVER use wheel locks to try to slow or stop your chair. This is likely to cause your chair to veer out of control.
7. Beware of:
 - a. Wet or slippery surfaces.
 - b. A change in grade on a slope (or a lip, bump or depression). These may cause a fall or tip-over.
 - c. A drop-off at the bottom of a slope. A drop-off of as small as 3/4” can stop a front caster and cause the chair to tip forward.
8. To Reduce the Risk of a Fall or Tip-Over:
 - a. Lean or press your body UPHILL. This will help adjust for a change in the center of balance caused by the slope or side hill.
 - b. Keep pressure on the handrims to control your speed on a down slope. If you go too fast, you may lose control.
 - c. Ask for help any time you are in doubt.
9. Ramp at Home & Work—For your safety, ramps at home and work must meet all legal requirements for your area. We recommend:

- a. Width: At least four feet wide.
- b. Guardrails. To reduce the risk of a fall, sides of ramp must have guardrails (or raised borders at least three inches high).
- c. Slope. Not more than a 10% grade.
- d. Surface. Flat and even, with a thin carpet or other nonskid material. (Make sure there is no lip, bump or depression).
- e. Bracing. Ramp must be STURDY. You may need a section at the top or bottom to smooth out the transition.

WARNING:

If you fail to heed these warnings, damage to your chair, a fall, tip-over or loss of control may occur and cause severe injury to the rider or others.

Transfer

It is dangerous to transfer on your own. It requires good balance and agility. Be aware that there is a point during transfer when the wheelchair seat is not below you. To Avoid a Fall:

- 1. Work with your health care advisor to learn safe methods.
 - a. Learn how to position your body and how to support yourself during a transfer.
 - b. Have someone help you until you know how to do a safe transfer on your own.
- 2. Lock rear wheels before you transfer. This keeps the rears wheels from rolling.

Note: This will NOT keep your chair from sliding away from you or tipping.
- 3. Make sure to keep pneumatic tires properly inflated. Low tire pressure may allow the rear wheel locks to slip.
- 4. Move your chair as close as you can to the seat you are transferring to. If possible, use a transfer board.
- 5. Rotate the front casters until they are as far forward as possible.
- 6. If you can, remove or swing footrests out of the way.
 - a. Make sure your feet do not catch in the space between the footrests.
 - b. Avoid putting weight on the footrests as this may cause the chair to tip.
- 7. Make sure armrests are out of the way and do not interfere.
- 8. Transfer as far back onto the seat surfaces as you can. This will reduce the risk that the chair will tip or move away from you.

WARNING:

If you fail to heed these warnings, damage to your chair, a fall, tip-over or loss of control may occur and cause severe injury to the rider or others.

Curbs & Steps

- 1. Each person who helps you should read and follow the warnings—"For Safe Use" (Pages 11 – 13).
- 2. Do not try to climb or descend a curb or step alone UNLESS you are a skilled rider of this chair and you are sure you have the strength and balance to do so.
- 3. Unlock and rotate anti-tip tubes up, out of the way, so they do not interfere.
- 4. Do not try to climb a high curb or step, (more than 4" high), UNLESS you have help. Doing so may cause your chair to exceed its balance point and tip over.

5. Go straight up and down a curb or step. If you climb or descend at an angle, a fall or tip-over is likely.
6. Be aware that the impact of dropping down from a curb or step can damage your chair or loosen fasteners.

If you fail to heed these warnings, damage to your chair, a fall, tip-over or loss of control may occur and cause severe injury to the rider or others.

WARNING: Stairs and Escalators

1. NEVER use this chair on stairs UNLESS you have someone to help you. Doing so is likely to cause a fall or tip-over.
2. Persons who help you should read and follow the warnings “For Attendants”, (page 6) and the “For Safe Use”, (pages 11—13).
3. NEVER use this chair on an escalator, even with an attendant. If you do, a fall or tip-over is likely.

If you fail to heed these warnings, damage to your chair, a fall, tip-over or loss of control may occur and cause severe injury to the rider or others.

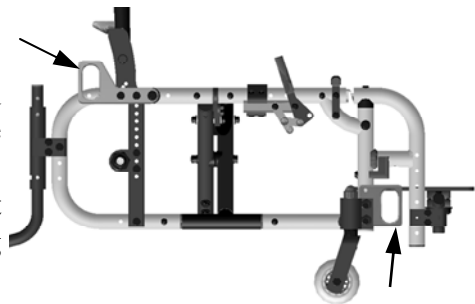
WARNING: FALLS & TIP-OVERS

Before you assist a rider, be sure to read the warnings “For Attendants”, (page 6) and follow all instructions that apply. Be aware that you will need to learn safe methods best suited to your abilities.

Transport Use

1. If possible and feasible, the rider should transfer to the OEM vehicle seat and use the vehicle restraint.
2. If the wheelchair is used for transport, it must be used in a forward-facing seating position.
3. The ANSI/RESNA WC-19 standards apply to persons with a weight of 51 to 169 lbs. This constitutes the range of sizes for which the *Spectrum 3* wheelchairs are suitable for occupancy in a motor vehicle.
4. The picture (right) shows the location of the wheelchair securement points.
5. Use only with Wheelchair Tiedown and Occupant Restraint Systems (WTORS) that have been installed in accordance with the manufacturer’s instructions and SAE J2249.
6. Attach WTORS to securement points in accordance with the manufacturer’s instructions and SAE J2249
7. Attach occupant restraints in accordance with the manufacturer’s instructions and SAE J2249.

WARNING:



Note: To obtain a copy of SAE J2249 Wheelchair Tiedown and Occupant Restraints Systems for Use in Motor Vehicles, please contact:
 SAE International—400 Commonwealth Drive—Warrendale, PA 15096
 (412) 776-4970

WARNING: Descending a Curb or Single Step

Follow these steps to help a rider descend a curb or single step going down
BACKWARD:

1. Stay at the rear of the chair.
2. Several feet before you reach the edge of the curb or step, turn the chair around and pull it backward.
3. While looking over your shoulder, carefully step back until you are off the curb or stair and standing on the lower level.
4. Pull the chair toward you until the rear wheels reach the edge of the curb or step. Then allow the rear wheels to slowly roll down onto the lower level.
5. When the rear wheels are safely on the lower level, tilt the chair back to its balance point. This will lift the front casters off of the curb or step.
6. Keep the chair in balance and take small steps backward. Turn the chair around and gently lower front casters to the ground.

If you fail to heed these warnings, damage to your chair, a fall, tip-over or loss of control may occur and cause severe injury to the rider or others.

WARNING: Climbing a Curb or Single Step

Follow these steps to help the rider climb a curb or single step going FORWARD

1. Stay behind the chair.
2. Face the curb and tilt the chair up on the rear wheels so that the front casters clear the curb or step.
3. Move forward, placing the front caster on the upper level as soon as you are sure they are past the edge.
4. Continue forward until rear wheels contact the face of the curb or step. Lift and roll the rear wheels to the upper level.

If you fail to heed these warnings, damage to your chair, a fall, tip-over or loss of control may occur and cause severe injury to the rider or others.

WARNING: Climbing Stairs

1. Use at least two attendants to move a chair and rider up stairs.
2. Move the chair and rider BACKWARD up the stairs.
3. The person at the rear is in control. He or she tilts the chair back to its balance point.
4. A second attendant at the front firmly grasps a nondetachable part of the front frame and lifts the chair up and over one stair at a time.
5. The attendants move to the next stair up. Repeat for each stair, until you reach the landing.

If you fail to heed these warnings, damage to your chair, a fall, tip-over or loss of control may occur and cause severe injury to the rider or others.

WARNING: Descending Stairs

1. Use at least two attendants to move a chair and rider down stairs.
2. Move the chair and rider FORWARD down the stairs
3. The person at the rear is in control. He or she tilts the chair to the balance point of the rear wheels and rolls it to the edge of the top step.
4. A second attendant stands on the third step from the top and grasps the chair

frame. He or she lowers the chair one step at a time by letting the rear wheels roll over the stair edge.

5. The attendants move to the next stair down. Repeat for each stair, until you reach the landing.

If you fail to heed these warnings, damage to your chair, a fall, tip-over or loss of control may occur and cause severe injury to the rider or others.

WARNING: Maintenance

1. Inspect and maintain this chair strictly per chart on page 41.
2. If you detect a problem, make sure to service or repair the chair before use.
3. At least once a year, have a complete inspection, safety check and service of your chair made by an authorized Freedom Designs, Inc. dealer.

If you fail to heed these warnings, damage to your chair, a fall, tip-over or loss of control may occur and cause severe injury to the rider or others.

WARNING: FALLS & TIP-OVERS

WARNING: Transport Option

1. Use only Wheelchair Tiedown and Occupant Restraint Systems, (WTORS), which meet the requirements of SAE J2249 Recommended Practice—Wheelchair Tiedown and Occupant Restraint Systems Use In Motor Vehicles. Do not use WTORS designed to rely on the wheelchair structure to transfer occupant restraint loads to the vehicle.

Note: Use only a four-point wheelchair tiedown with an integrated three-point occupant restraint system.

2. The wheelchair has been dynamically tested in a forward-facing mode for a 48-km/h frontal impact. The wheelchair must be forward-facing during transport.
3. In order to reduce the potential of injury to vehicle occupants, wheelchair-mounted accessories, such as trays and respiratory equipment, should be removed and secured separately.
4. Postural supports and positioning devices should not be relied on for occupant restraints.
5. Do not alter or substitute wheelchair frame parts, components or seating.
6. Sudden stops or impacts can structurally damage your chair. Chairs involved in such incidents should be replaced.

If you fail to heed these warnings, damage to your chair, a fall, tip-over or loss of control may occur and cause severe injury to the rider or others.

WARNING: Anti-Tip Tubes

Anti-tip tubes help keep your chair from tipping over backward in most normal conditions. Freedom Designs, Inc. recommends that the anti-tip tubes be used at all times and may not be removed from the wheelchair.

1. If modifications or adjustments are done to the wheelchair, anti-tip tubes must be used to prevent tipping backward.
2. When locked in place, (in the “down” position), anti-tip tubes should be

BETWEEN 1 1/2” to 2” off the ground.

- a. If set too HIGH, they may not prevent a tip-over.
- b. If set too LOW, they may ”hang up” on obstacles you can expect in normal use. If this occurs, you may fall or your chair may tip over.

If you fail to heed these warnings, damage to your chair, a fall, tip-over or loss of control may occur and cause severe injury to the rider or others.

WARNING: Armrests

Armrests detach and will not bear weight of this chair.

1. NEVER lift this chair by the armrests. They may come loose or break.
2. Lift this chair only by non-detachable parts of the frame.

If you fail to heed these warnings, damage to your chair, a fall, tip-over or loss of control may occur and cause severe injury to the rider or others.

WARNING: Cushions & Sling Seats

1. Freedom Designs, Inc. sling seats and standard foam cushions are not designed for the relief of pressure.
2. If you suffer from pressure sores, or if you are at risk that they will occur, you may need a special seat system or a device to control your posture. Consult your doctor, nurse or therapist to find out if you need such a device for your well-being.

If you fail to heed these warnings, damage to your chair, a fall, tip-over or loss of control may occur and cause severe injury to the rider or others.

WARNING: Fasteners

Many of the screws, bolts and nuts on this chair are special high-strength fasteners. Use of improper fasteners may cause your chair to fail.

1. ONLY use fasteners provided by an authorized Freedom Designs, Inc. dealer.
2. Over or under tightened fasteners may fail or cause damage to chair parts.
3. If bolts or screws become loose, tighten them as soon as you can.

If you fail to heed these warnings, damage to your chair, a fall, tip-over or loss of control may occur and cause severe injury to the rider or others.

WARNING: Footrests

1. At the lowest point, footrests should be AT LEAST 2 1/2” off the ground. If set too LOW, they may “hang up” on obstacles you can expect to find in normal use. This may cause the chair to stop suddenly and tip forward.
2. To Avoid a Trip or Fall When You Transfer:
 - a. Make sure your feet do not “hang up” or get caught in the space between the footrests.
 - b. Avoid putting weight on the footrests, as the chair may tip forward.
3. NEVER lift this chair by the footrests. Footrest detach and will not bear the weight of this chair. Lift this chair by nondetachable parts of the main frame.

If you fail to heed these warnings, damage to your chair, a fall, tip-over or loss of control may occur and cause severe injury to the rider or others.

WARNING: Pneumatic Tires

Proper inflation extends the life of your tires and makes your chair easier to use.

1. Do not use this chair if any of the tires is under or over inflated. Check weekly for proper inflation level, as listed on the tire sidewall.
2. Low pressure in a rear tire may cause the wheel lock on that side to slip AND allow the wheel to turn when you do not expect it.
3. Low pressure in any tires may cause the chair to veer to one side and result in a loss of control.
4. Over inflated tires may burst.

If you fail to heed these warnings, damage to your chair, a fall, tip-over or loss of control may occur and cause severe injury to the rider or others.

WARNING: Positioning Belts

Use of positioning belts ONLY to help support the rider's posture. Improper use of these belts may cause severe injury to or death of the rider.

1. Make sure the rider does not slide down in the wheelchair seat. If this occurs, the rider may suffer chest compression or suffocate due to pressure from the belts.
2. The belts must be snug, but must not be so tight that they interfere with breathing. You should be able to slide your 2 fingers between the belt and the rider.
3. Use positioning belts only with a rider who can cooperate. Make sure the belt can easily be removed in an emergency.
4. NEVER Use Positioning Belts:
 - a. As a patient restraint. A restraint requires a doctor's order.
 - b. On a rider who is comatose or agitated.
 - c. As a motor vehicle restraint. In an accident or sudden stop, the rider may be thrown from the chair. Wheelchair positioning belts will not prevent this and further injury may result from the belts or straps.

If you fail to heed these warnings, damage to your chair, a fall, tip-over or loss of control may occur and cause severe injury to the rider or others.

WARNING: Power Drive

Freedom Designs, Inc. does not recommend the attachment of power drives to the SP wheelchair.

1. The attachment of power drives to the wheelchair is considered a modification or alteration to the frame, thus voiding the warranty.
2. Balance and stability may be affected, thereby causing unsafe conditions.

If you fail to heed these warnings, damage to your chair, a fall, tip-over or loss of control may occur and cause severe injury to the rider or others.

WARNING: Push Handles

When you have an attendant, make sure that this chair has push handles.

1. Push handles provide secure points for an attendant to hold the rear of this chair, to prevent a fall or tip-over. Make sure to use push handles when you have an attendant.

2. Check to make sure push handles grips will not rotate or slip off.
If you fail to heed these warnings, damage to your chair, a fall, tip-over or loss of control may occur and cause severe injury to the rider or others.

WARNING: Quick Release Axles

1. Do not use this chair UNLESS you are sure that both quick release axles are locked. An unlocked axle may come off during use and cause a fall.
2. An axle is not locked until the quick release button pops out fully. An unlocked axle may come off during use, resulting in a fall, tip-over or loss of control and cause injury to the rider or others.

If you fail to heed these warnings, damage to your chair, a fall, tip-over or loss of control may occur and cause severe injury to the rider or others.

WARNING: Rear Wheels

A change in setup of the rear wheels will affect the center of balance of your chair.

1. The farther you move the rear axles FORWARD, the more likely it is that your chair will tip over backward.
2. Consult your doctor, nurse or therapist to find the best rear axle setup for your chair.
3. Adjust the rear wheel locks after you make any change to the rear axles.
 - a. If you fail to do so, the locks may not work.
 - b. Make sure lock arms embed in tires at least 1/4" when locked.

If you fail to heed these warnings, damage to your chair, a fall, tip-over or loss of control may occur and cause severe injury to the rider or others.

WARNING: Wheel Locks/Hub Locks

Rear/front wheel locks, including hub locks, are NOT designed to slow or stop a moving wheelchair. Use the rear/front wheel locks only to keep the rear/front wheels from rolling when your chair is at a complete stop.

1. NEVER use rear/front wheel locks to try to slow or stop your chair when it is moving. Doing so may cause you to veer out of control.
2. To keep the rear/front wheels from rolling, always set both rear/front wheel locks when you transfer to or from your chair.
3. Low pressure in a rear/front tire may cause the wheel lock on that side to slip and may allow the wheel to turn when you do not expect it.
4. Make sure lock arms embed in tires at least 1/4" when locked. If you fail to do so, the locks may not work.

If you fail to heed these warnings, damage to your chair, a fall, tip-over or loss of control may occur and cause severe injury to the rider or others.

WARNING: Modified Seating System

Use of a seating system not approved by Freedom Designs, Inc., may alter the center of balance of this chair. This may cause the chair to tip over.

1. Do not change the seating system of your chair UNLESS you consult your authorized Freedom Designs, Inc. supplier first.
2. Use of a seating system not approved by Freedom Designs, Inc. may affect the folding mechanism of this chair.

3. Use of a seating system not approved by Freedom Designs, Inc. is prohibited for transportation use with Freedom Designs, Inc. Transport Option.

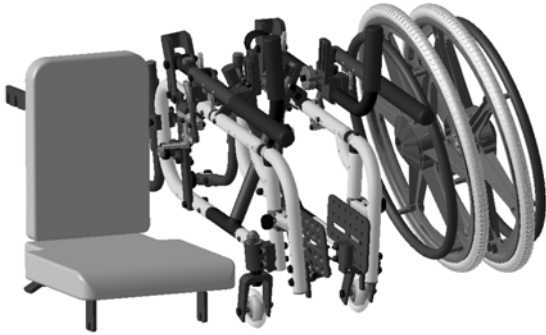
If you fail to heed these warnings, damage to your chair, a fall, tip-over or loss of control may occur and cause severe injury to the rider or others.

WARNING: Upholstery Fabric

1. Sling fabric will weaken with age and use. Look for fraying or thin spots, stretching of fabrics at rivet holes.
2. “Drooping Down” into your chair will weaken fabric and result in the need to inspect and replace the seat more often.
3. Be aware that laundering or excess moisture will reduce flame retardation of the fabric.

If you fail to heed these warnings, damage to your chair, a fall, tip-over or loss of control may occur and cause severe injury to the rider or others.

Initial Inspection Checklist



SP 3

The *SP3* is shipped in the following fashion:

1. The main frame with backposts, casters, tires, with quick release axles, armrests*, footplates or footboard and anti-tip tubes. (Refer to the Unfold instructions in this manual).
2. Solid Seat & Back Insert**.
3. Optional armrests would be attached to the backposts or solid seat insert.

*Armrest might be optional, dependent upon frame.

**Solid Seat & Back Insert are optional.

When Unpacking:

1. Check for any obvious damage to the box or its contents.
2. Remove all the loose packing from the box.
3. Carefully remove all of the components.
4. Examine the exterior of the *SP3* and the components for any nicks, dents, scratches or other damage.

SP3

Specifications

Frame Configuration:		Standard or Reverse Folding or Rigid
Overall Width		18" - 26"*
Overall Depth		34"*
Overall Width Folded	(not including wheels & wheel locks) (not including wheels)	9" 13"
Frame Length	X-Small	15" - 19"
	Small	10" - 14"
	Medium	13" - 17"
	Long	17" - 21"
Backpost Height		Short 19", Med 23", Tall 26"
Seat Width		10" - 18"
Seat Depth		10" - 21"
Frame Weight		16.5 lbs
Front Rigging		Latch Style Swing Away—75° & 90° Pop Up Removable—75° & 90°
Armrests		Swing Away/Flip-up/Removable T-Arm
Footplates		Angle Adjustable Aluminum Flip-up Adjustable Footboard
Rear Axle		Push Button Double Lock Quick Release
Rear Wheel Adjustments		3" Horizontal & 5" Vertical
Backposts		Traditional Bend (8° Optional) Ergo Bend
Caster Sizes		Poly 3", 5", 6" & 7"/Pneumatic 6"
Caster Forks		3" & 6"
Wheels		Mag 12', 16", 18", 20", 22" & 24" Spoke 20", 22" & 24"
Powder Coated Frames		Red, Green, Blue, Yellow, White, Black, Pewter, Turquoise, Purple, Midnight Blue, Blue Stardust, Fluorescent Yellow, Fluorescent Pink, Twilight, Sparkle Green, Pink Parfait, Razzle Dazzle, Red Sunset, Really Red, Octane Orange, Blue Blast, Extreme Green, Mystic Teal, Passion Purple
Wheel Locks		Conventional Push to Lock, Pull to Lock or Hub Lock****

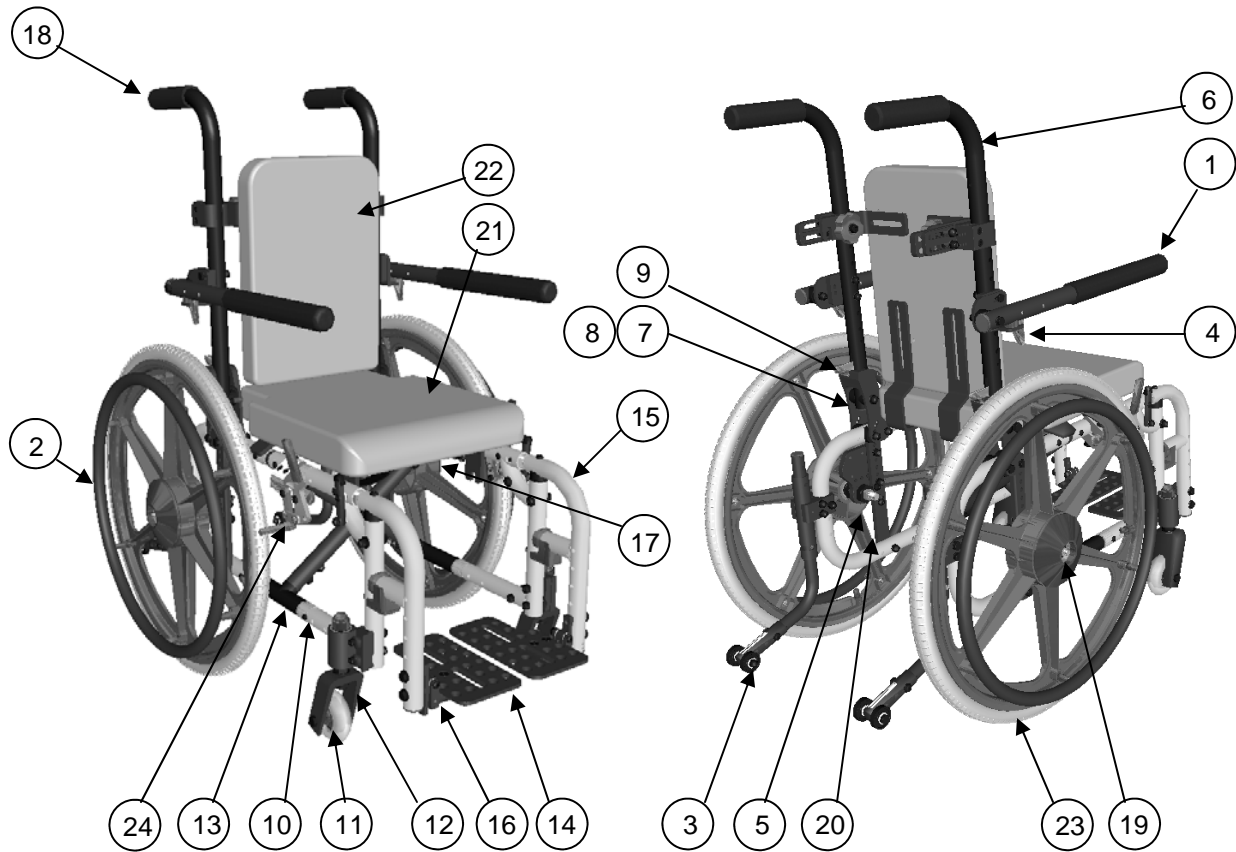
*Overall frame width and depth dependent on frame size ordered

**Various width and depth options according to hardware used.

***Twister Seat & Back are an optional item.

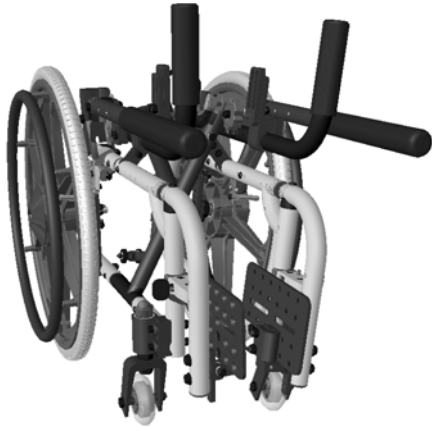
****Not available on spoke wheels

SP3 Features



- | | |
|---|------------------------------------|
| 1. Adjustable locking Flip back armrests (opt.) | 13. Cross Brace |
| 2. Aluminum handrim | 14. Flip up footplates |
| 3. Anti-tip tubes | 15. Fixed front rigging |
| 4. Armrest trigger lock mechanism (opt.) | 16. Height adjustable hanger clamp |
| 5. Axle height adjustment plate | 17. Nylon strap |
| 6. Backpost | 18. Push handle |
| 7. Backpost adjustment plate | 19. Quick release axle |
| 8. Backpost pivot plate | 20. Rear axle plate |
| 9. Backpost trigger mechanism | 21. Solid seat (optional) |
| 10. Base Frame | 22. Solid back (optional) |
| 11. Caster | 23. 22" mag wheel |
| 12. Caster fork | 24. Wheel lock |

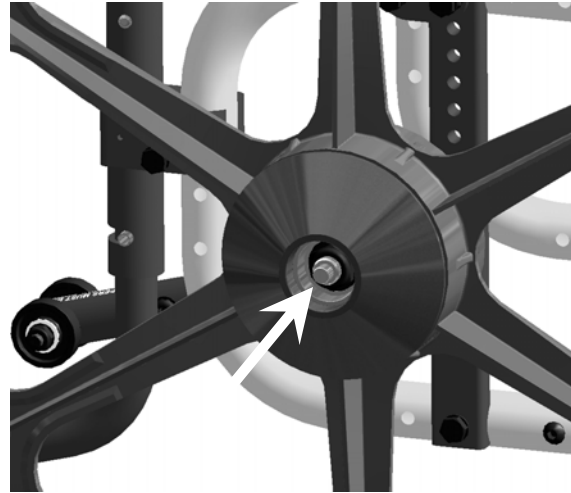
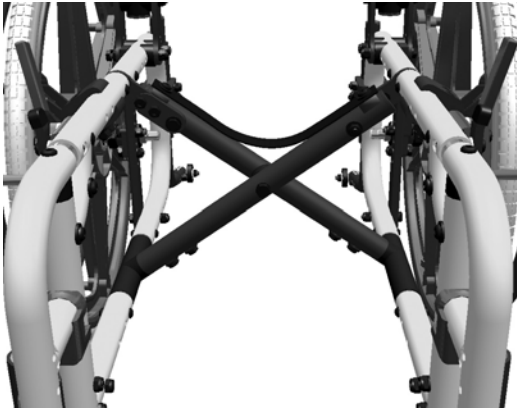
Unfolding *SP3*



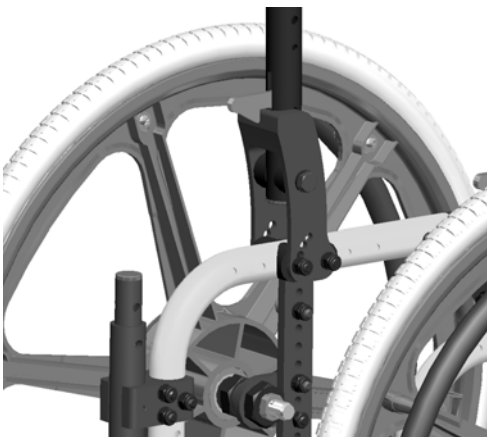
For ease of transporting and lifting, the chair can easily be unfolded and folded.

Always engage the wheel locks by pushing forward or pulling back on the levers before unfolding the chair. (see page 35).

1. Place tires on quick release axles and push in until quick release push button “pops out” and tires are secure.



2. Unfolding is accomplished by applying even pressure on the seat rails and pushing down.



3. Grasp the push handles and pull them to an upright position where they will lock into place.

Note: The cross braces need to be opened to their maximum point where the stops rest on the saddle receivers on rail.

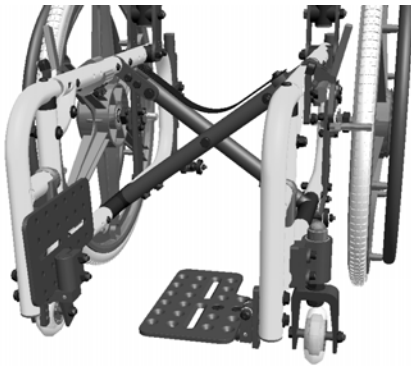
Unfolding the *SP3* Continued.....



4. Push the flip back armrests down to the flat position.



Or insert optional T-arm into receiver socket until it snaps into place.



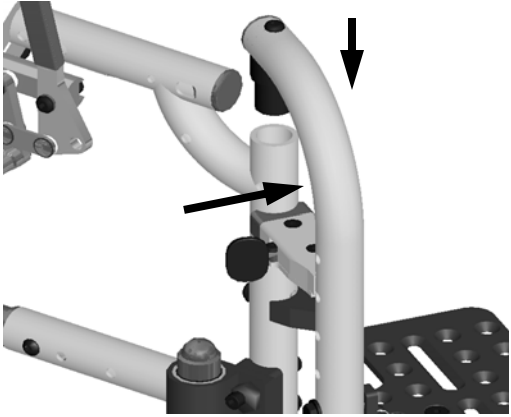
5. Flip down the footplates or attach the footboard and place in the “down” position.

Note: The *SP3* can be folded and unfolded while the footrest hangers are attached. See pages 28 & 29.

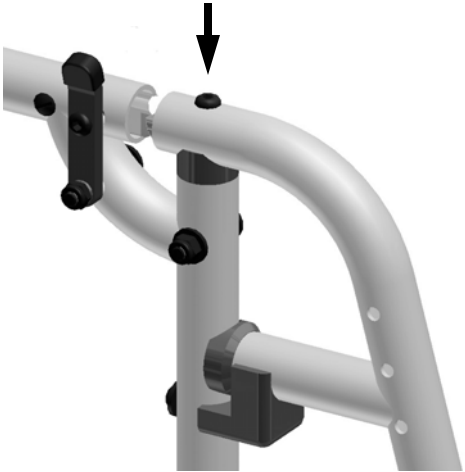


6. Adjust anti-tip tubes to the safety (rearward) position. (See page 27).

Unfolding the *SP3* Continued.....



- 7. To attach the swing away hanger, line up the pivot saddle with it's receiver on the frame and insert downward. Swing hanger inward until it locks into place.



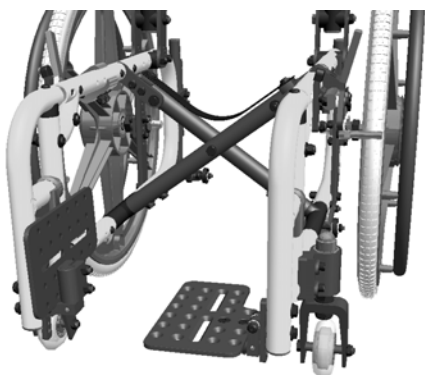
To attach the pop-up hanger place the pivot saddle into it's receiver on the frame and push down until the hanger "clicks" into place.

Folding the *SP3*

Always engage the wheel locks by pushing forward or pulling back on the levers before unfolding the chair. (see page 35).

1. Flip the individual footplates or remove the footboard. (See pages 30-33).

Note: The *SP3* can be folded and unfolded while the footrest hangers are attached. See pages 28 & 29.

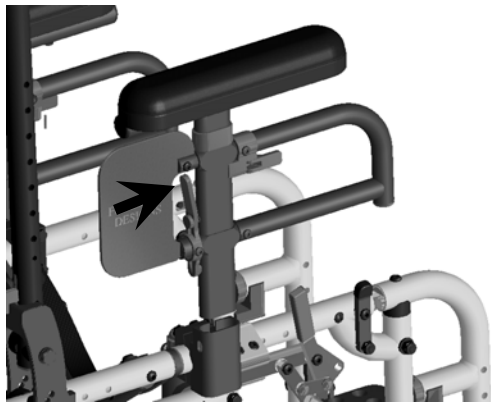


2. Pull back on the hanger release lever for either the latching swing away or pop-up hanger and lift the hanger off.

Folding the *SP3* continued.....

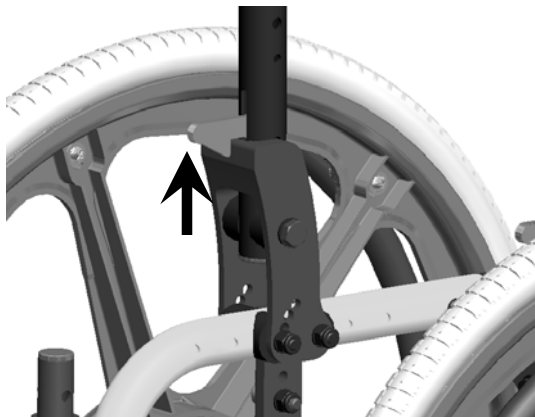


3. Flip back the armrests to the upright position.

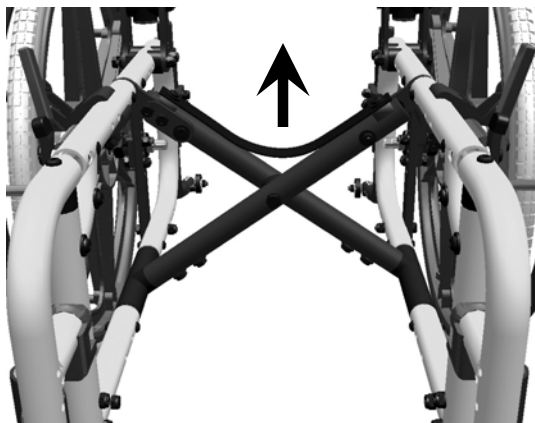


Or push the T-arm release lever toward the center post to release the arm from the receiver socket. Lift arm out of socket.

Note: The T-arms need not be removed to fold the *SP3* but must be removed to fold the backposts down.



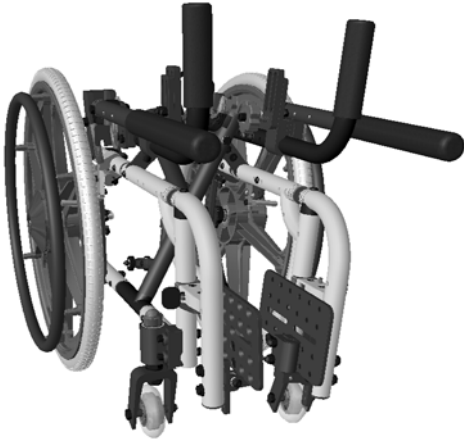
4. Pull up on the trigger mechanism for the backposts and push the backposts to the flat position over the seat rails.



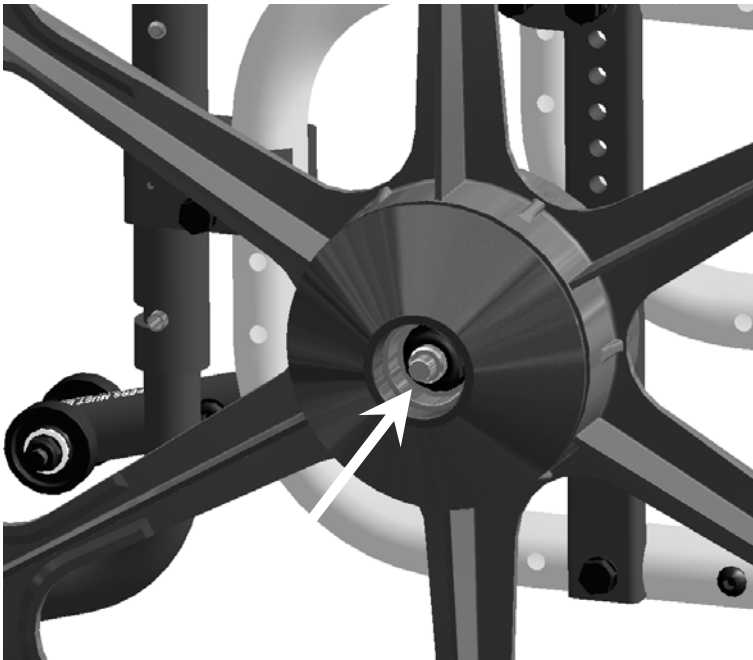
Note: Use the provided nylon strap to fold the chair. Be careful not to place your fingers between the folding crossbrace.

5. Pull up on nylon crossbrace strap.

Folding the *SP3* Continued.....



6. Disengage wheel lock, push the quick release axle button and pull wheel off of the frame



Main Frame

Anti-Tip Tubes



Anti-tip tubes come standard on the *SP3*.

These anti-tip tubes are not removable for your safety.

Swivel anti-tip tube adjustment:

1. When the anti-tip tubes are in the inward position, swivel the anti-tip tube and turn outward to lock in the safety position.
2. When the anti-tip tubes are in the safety position, swivel the anti-tip tube and turn inward to lock out of the safety position

Warning: Under normal use, anti-tip tubes will prevent the wheelchair from tipping over backward. Anti-tip tubes are to stay on the chair at all times and should be locked into a safety position.

Wheels and Tires

The *SP3* wheelchair offers the following tire options:



- 12" Pneumatic Mag Wheels
- 16" Pneumatic Mag Wheels
- 18" Pneumatic Mag Wheels
- 20" Pneumatic Mag Wheels or Spoke Wheels
- 22" Pneumatic Mag Wheels or Spoke Wheels
- 24" Pneumatic Mag Wheels or Spoke Wheels

Wheels may be removed from the chair by releasing the quick release axles. (See quick release axles—page 33)

Check pneumatic tires weekly for proper inflation level, listed on the tire sidewall. For wheel lock effectiveness, proper tire inflation needs to be maintained.

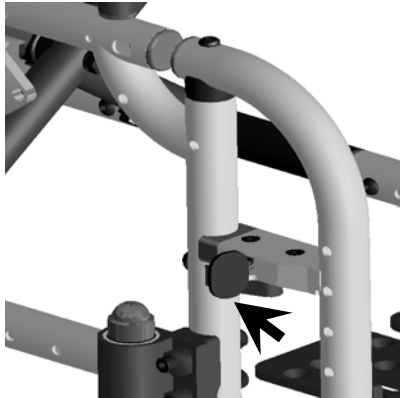
No-flat inserts are available for most of the pneumatic mag and spoke wheels.

Main Frame

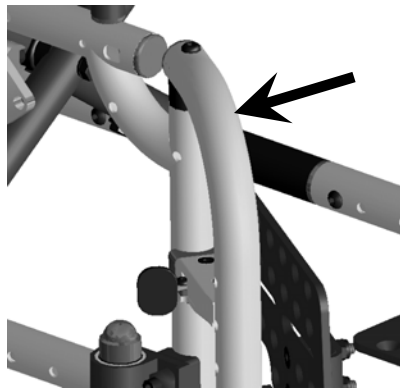
continued.....

Latch Style Swing Away Hangers

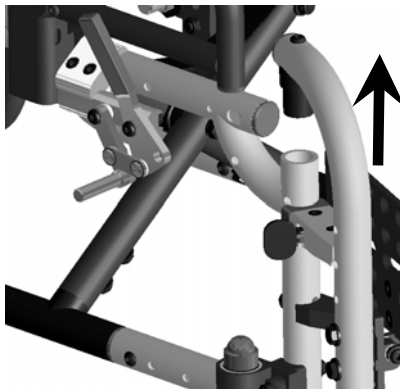
The *SP3* frames ship standard with swing-away hangers in 75° or 90°



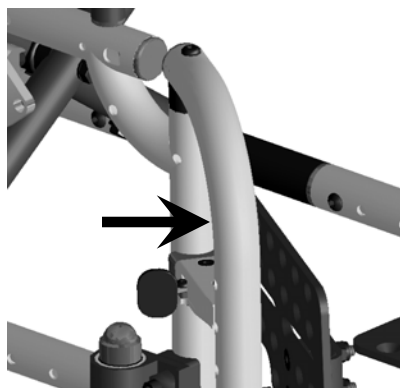
1. To swing away the hanger, place your hand on the hanger release lever.



2. Pull back on the lever towards the chair. This will enable the hanger to swing away for ease of transfer.



3. To remove the hanger, lift the hanger upward until the pivot saddle is out of its receiver on the frame.

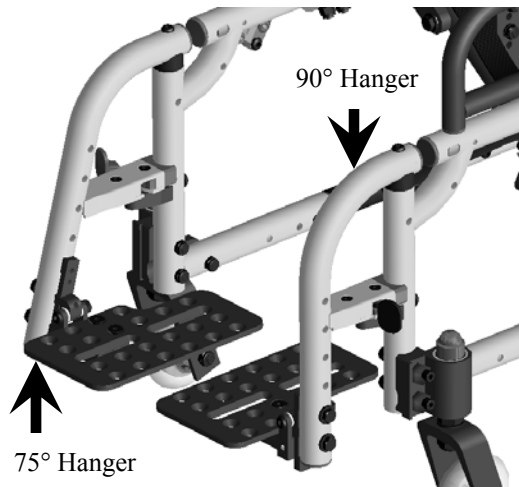


4. To attach the hanger, line up the pivot saddle with its receiver on the frame and insert downward. Swing hanger inward until it locks into place.

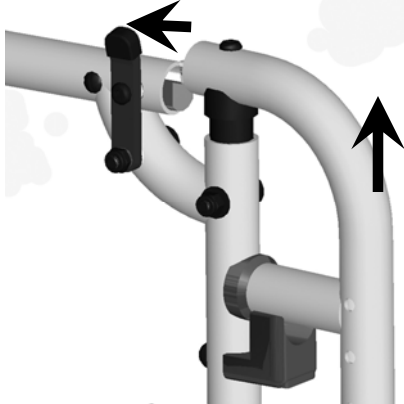
Main Frame continued.....

Pop-Up Style Swing Away Hangers

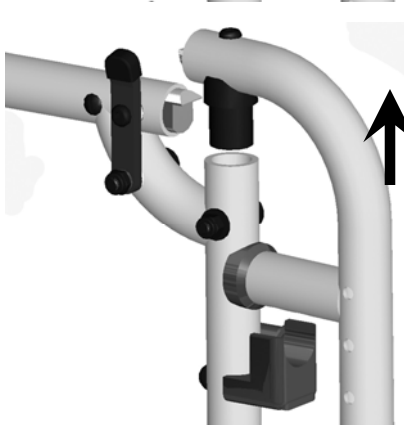
The *SP3* frames may be shipped with optional pop-up hangers in 75° or 90°.



1. To swing away the hanger, place your hand on the hanger release lever.



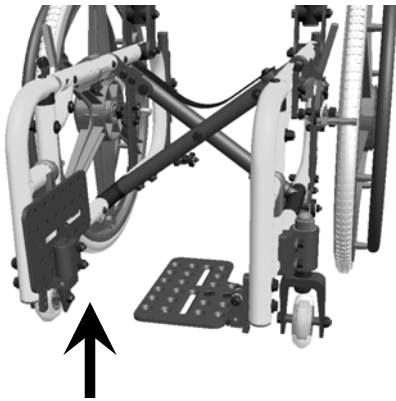
2. Pull back on the lever towards the chair. This will enable the hanger to pop-up and swing away for ease of transfer.



3. To remove the hanger, lift the hanger upward until the pivot saddle is out of its receiver on the frame.

4. To attach the hanger, line up the pivot saddle with its receiver on the frame and insert downward until hanger locks into place.

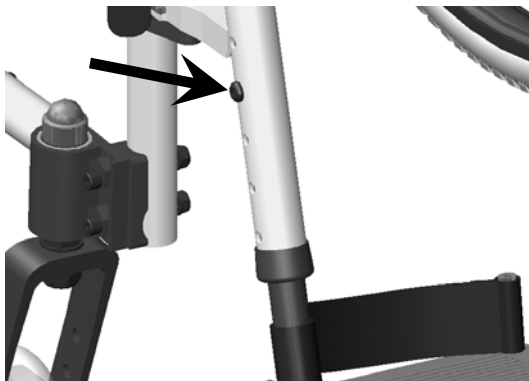
Main Frame continued.....



Flip-up Individual Footplates

The *SP3* is shipped with individual flip-up footplates (molded composite or angle adjustable aluminum) attached or a solid footboard unattached. Adjustment of the individual flip-up footplates are as follows:

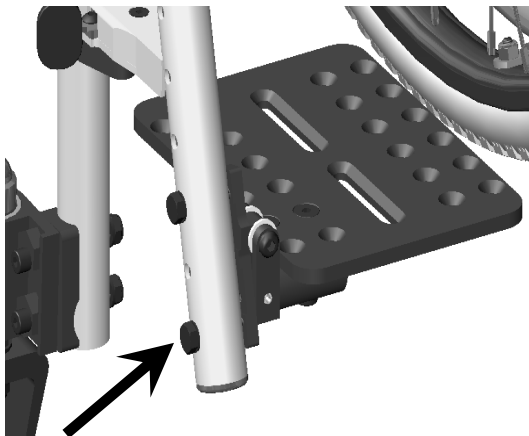
1. The individual footplates easily flip by lifting underneath the footplate to flip up or push down on the footplate to flip down.



2. To adjust the height of the footplate :

Composite Footplate

Remove the button head screw securing the footrest extension tube to the hanger tube. Set the footplate at the desired height. Insert the screw into the hanger tube and tighten.

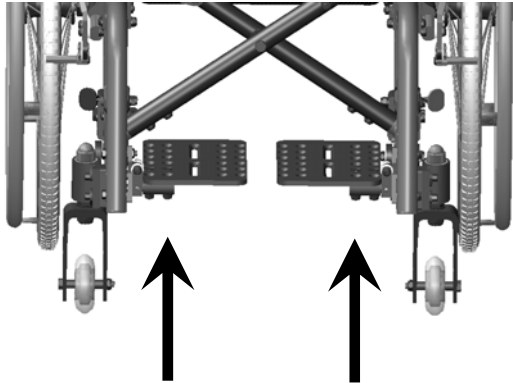


Aluminum Angle Adjustable Footplate

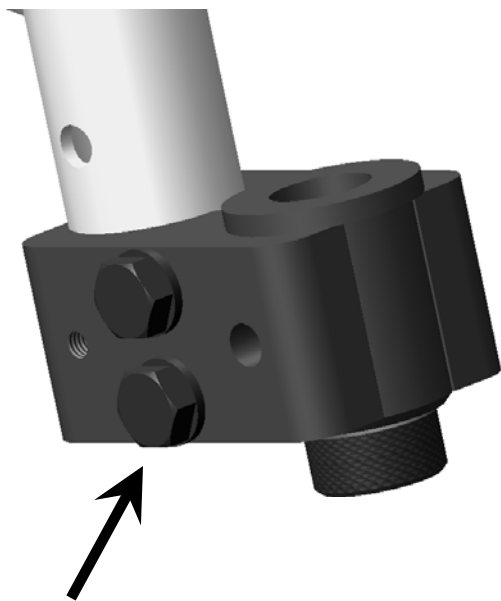
Remove the hex head screws on the side of the hanger. Seat the footplate at the desired height. Insert the screws through holes in the hanger tube and tighten.

Main Frame continued.....

Flip-up Individual Aluminum Footplates with Angle Adjustment



1. To adjust the angle of the flip-up footplate, loosen the nylon nuts under the footplate. Set the foot plate at the desired angle and tighten.

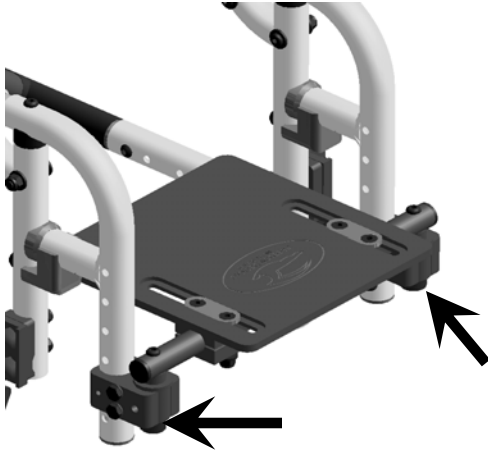


Angle Adjustable Footboard

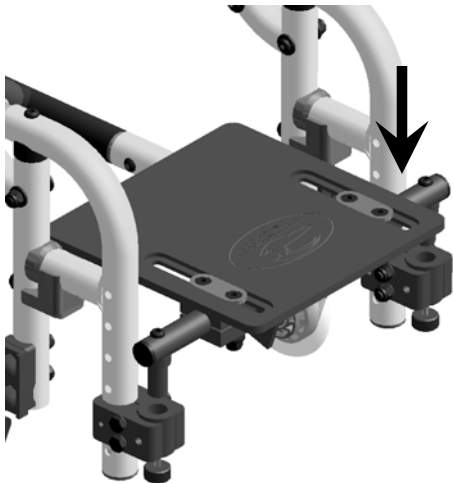
1. To attach the footboard to the frame, place the footboard clamps on the frame. Set the clamps at the desired height. Insert the receiver into the clamps and tighten the 2 hex head screws on each side.

Main Frame continued.....

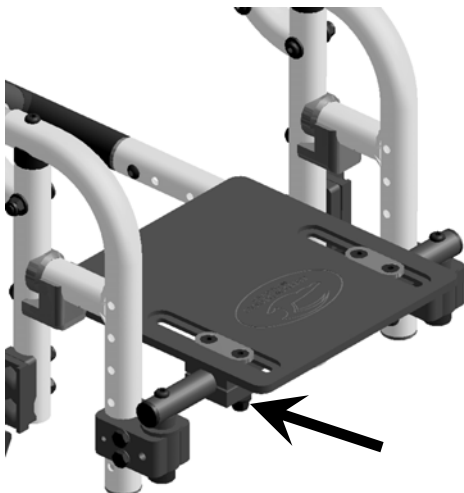
Angle Adjustable Footboard.....



2. To remove the footboard for transfer, unscrew the knob assemblies underneath the receivers. Lift the footboard upward, out of the receivers.

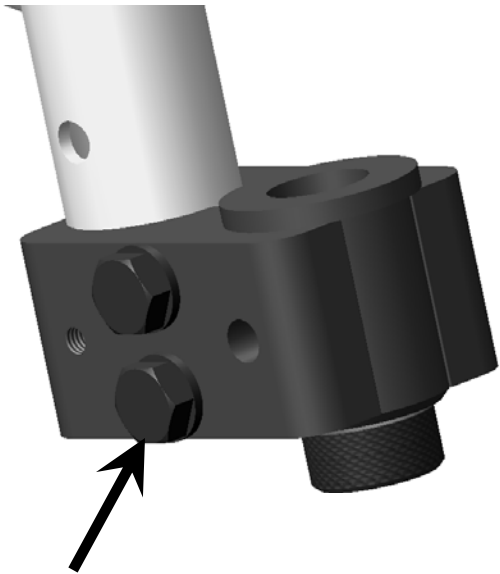


3. To attach the footboard after transfer, align the footboard fittings into the receivers. Turn the knobs on each side to tighten.



4. To change the angle of the footboard, use an allen wrench and loosen the flat head screws on the top of the footboard. When the desired angle or depth is reached, tighten both screws.

Main Frame continued.....



Angle Adjustable Footboard.....

5. To change the height of the footboard on the frame, loosen the 2 hex head screws on the footboard frame clamps. Set the desired height and tighten.

The lowest point of the footrest plate should be at least 2 1/2" from the ground to ensure the proper clearance.

Warning: *In all footplate and hanger adjustments, be sure that all screws are tightened securely for your safety.*

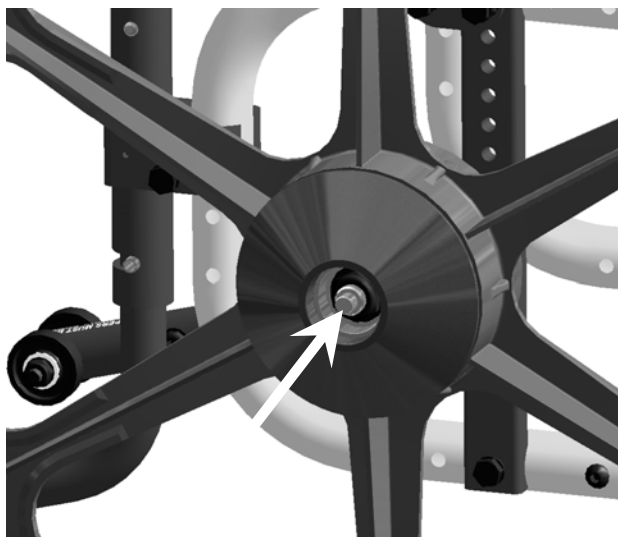
Quick Release Axle*

The *SP3* is equipped with double lock quick release axles that release with the push of a button. This double lock quick release mechanism allows the rear wheels to be easily removed for transportation or storage.

To remove the rear wheel:

1. Unlock the wheel lock.
2. Grasp the frame with one hand.
3. With the other hand, squeeze the quick release button.
4. The wheel will then pull off easily.

Warning: *the axle is not properly locked until the outside quick release button pops out to its full extended position.*



*Patented

Main Frame continued.....

Flip Back Arm



The *SP3* is shipped with flip back armrest as standard equipment. The flip back armrests are non removable and are available in either locking or non locking.



Locking Flip Back Arm

To flip the arm back, push the trigger mechanism forward as shown and lift arm upward.

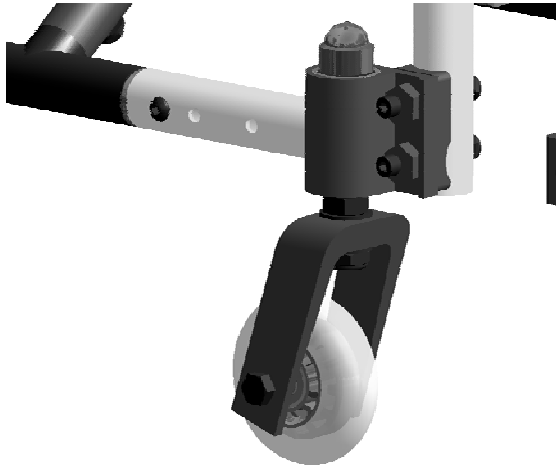


Optional "T" Arm

To remove the "T" arm, push lever toward the center post and lift arm out of receiver socket.

*Patented

Main Frame continued.....

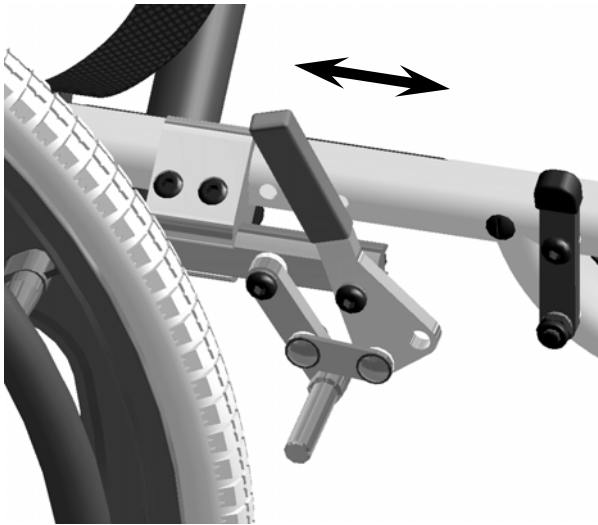


Casters

The **SP3** comes shipped with either 3" polyurethane casters with a 3" caster fork or 5", 6", 7" pneumatic casters with 6" caster fork.

Push or Pull to Lock Wheel Locks

The **SP3** comes standard with push to lock or pull to lock wheel locks.

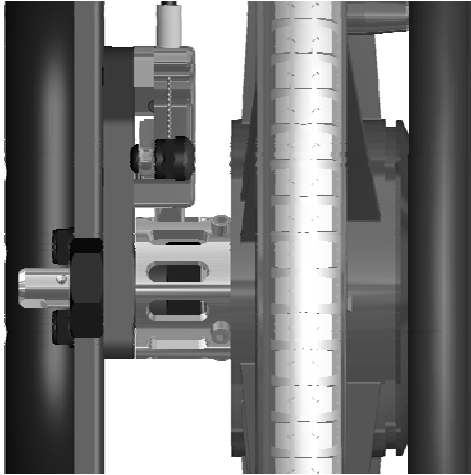


To lock wheels in place:

1. Grasp the lever of the wheel lock with your hand.
2. Pull or push the lever back or forward to release the wheel lock.

Caution: Always set the wheel locks when entering or leaving the wheelchair. Wheel locks are not designed to slow the wheelchair down when it is moving. Wheel locks hold the wheelchair in place when it is at a complete stop.

Main Frame continued.....



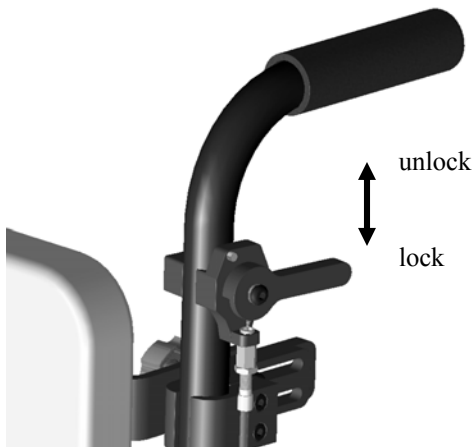
Wheel lock Options

The *SP3* also offers wheel lock options of: rear mount pull to lock, rear mount push to lock, wheel lock extensions and hub locks.

Hub Lock*

1. To unlock the wheels, push the Hub Lock lever (as shown). This will lock the wheels in place.
2. To lock the wheel, pull the Hub Lock lever. This will unlock the wheels and allow them to roll.

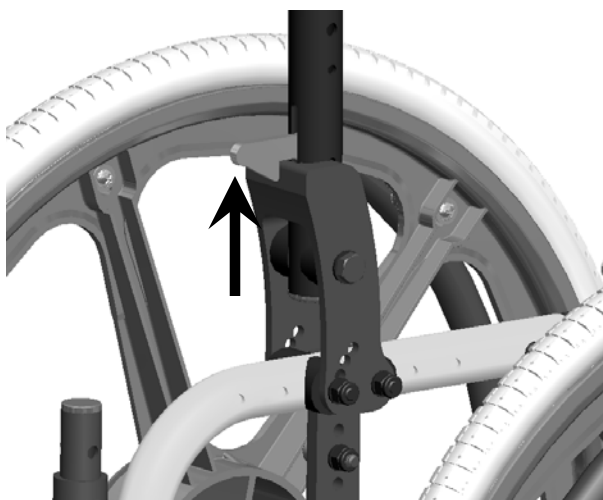
*Patent Pending



Folding Back

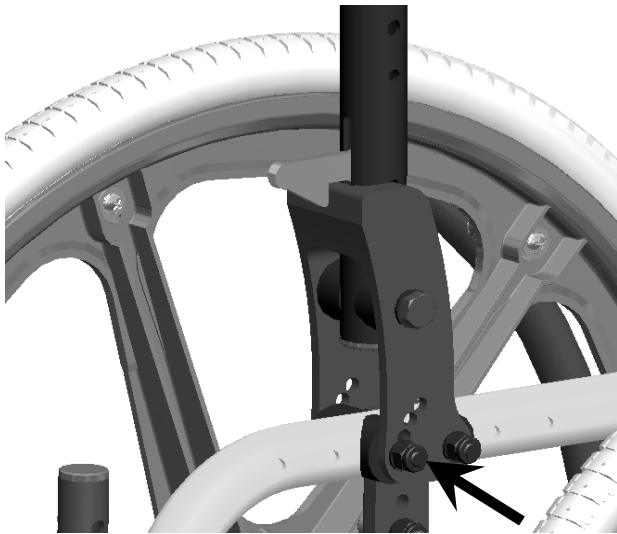
The *SP3* come standard with a folding back.

1. To fold the back down, pull upward on the trigger while pushing backposts forward toward seat.
2. To place the backpost to the upright position, pull backposts up until trigger snaps into place.



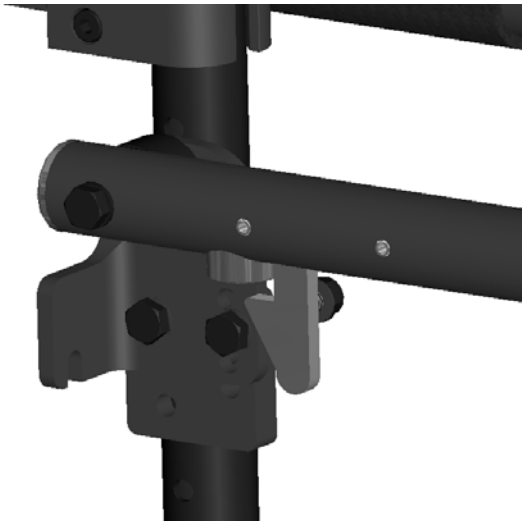
Note: The backposts fold down completely when using a solid seat and back. When using a sling seat and back the backposts will only fold partially.

SP3 Adjustments



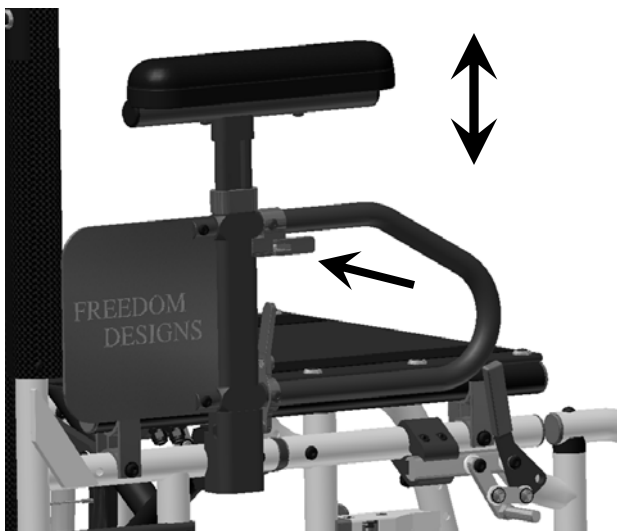
Backpost Adjustment

The angle and depth of the backposts may be adjusted by repositioning the backpost pivot plate in the pre-drilled holes on the frame.



Flip Arm / Locking Arm

To adjust height of armrests, loosen and remove the bolts and nuts holding the arm to the backpost tube. Align holes in arm with holes in backpost tube at desired height. Reassemble with bolts and nuts.



"T" Arm

To adjust the height of the "T" arm, rotate lever outward. Lift or lower arm pad to desired height and rotate lever back to forward position to lock in place.

SP3

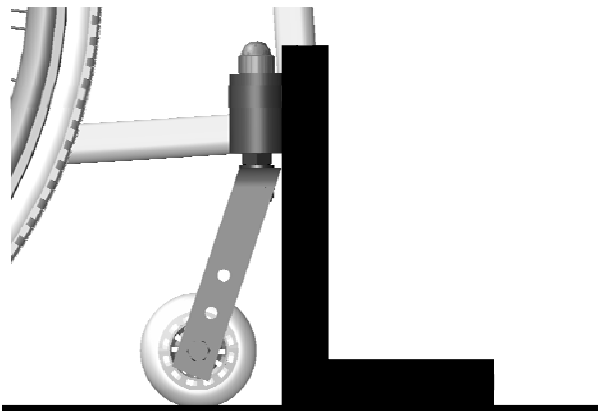
Adjustments continued.....



Caster Fork Adjustment

Interchanging casters can easily be done with dual hole caster forks. Currently, 3", 5", 6" and 7" casters are available for use. A smaller fork is used with the 3" caster only. To adjust, loosen the bolt and remove the caster. Change the caster and/or position the caster upward or downward in pre-drilled holes on the caster fork. Replace the bolt and tighten securely. To change the angle of the caster, consult your healthcare dealer.

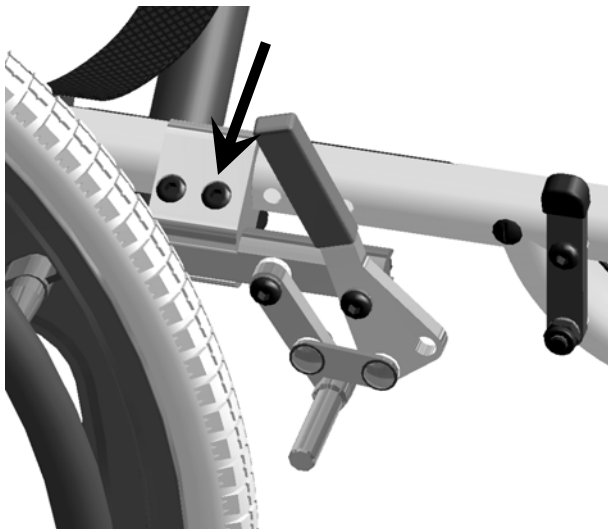
Note: The caster housing should always be at a 90° angle to the floor to ensure optimum performance.



Wheel Lock Adjustment

When the rear wheel is repositioned, it is important that the wheel lock is readjusted also.

1. Adjustment can be made by loosening the 1/4-20 x 1" button head screws and sliding the wheel lock assembly along the frame tubing so that the wheel lock contacts the tire in the locked position. Continue to adjust until the knurled grip handle embeds into the tire approximately 1/4" when in the locked position. Tighten the screw until wheel lock is snug to frame tube.



Warning: Wheel locks are not designed to slow the chair down when it is moving. When the chair is stopped, engaging properly adjusted wheel locks will prevent the rear wheels from turning.

SP3

Adjustments continued.....

Rear Axle Adjustment

The position of the rear axle is the most critical adjustment on the *SP3* wheelchair. The center of gravity and the seat height position are all determined by the axle adjustment.

Warning: *Your healthcare professional should assist you in adjusting the axle position. Position of the axle will be based on your abilities and limitations.*



1. Center of gravity adjustment may be accomplished by moving the rear axle plate forward or backward on the frame.
2. Seat height and/or angle may be changed by changing the position of the axle upward or downward on the axle plate.

Warning: *Your healthcare professional should assist you in adjusting the axle position. Position of the axle will be based on your abilities and limitations.*

Warning: *The wheelchairs become less stable if forward axle positions are used. The further forward the axles are positioned, the easier it is to tip the chair over forward or backward. Moving the axle backward will increase the stability of the chair. This backward adjustment will create increased turning pressure.*

Note: A front caster adjustment should be made to correspond with any changes in rear seat height/angle.



Reverse Configuration

The *SP3* frame can be ordered from the factory in standard configuration with the large wheels mounted at the back or in reverse configuration with the large wheels in front. Through adjustment holes on the frame and axle plates, the wheels and casters can be easily adjusted.



Reverse Configuration Kit

The *SP3* has an optional Reverse Configuration Kit which includes caster mount plates, anti-tip assemblies with clamps and all necessary hardware. This kit provides for easy retro-fit from Reverse Configuration to Standard Configuration or vice versa.

Cleaning

It is important, for optimum performance, to clean and maintain your *SP3*. We recommend that the frame finish be cleaned with mild soap and water.

Maintenance

1. In order to operate the *SP3* properly and safely, routine maintenance will extend the life and efficiency of your wheelchair.

Safety Inspection Checklist

Follow these maintenance procedures for the optimum performance of your *SP3* wheelchair.

1. Check to see that the wheelchair rolls straight.
2. Tires: Check for flat spots, wear and proper inflation.
3. Wheel lock:
 - a. Check to see that the lock engages easily.
 - b. Check that the locks are free of wear
 - c. Check to see that the locks do not interfere with the tires when rolling.
4. Ensure that all fasteners are secure.
5. Casters: Inspect axle for proper tension. Spin the caster. The caster should come to a gradual stop.

Storage

The *SP3* folds down to a small unit. We suggest when storing the wheelchair, that it be stored in an indoor, cool and dry area.

Troubleshooting

All *SP3* wheelchairs leave the factory inspected and adjusted for immediate use, (aside from the unfolding procedure). This troubleshooting chart offers some suggestions regarding the use of your wheelchair. Some areas may require more investigation to find the most suitable solution for a specific problem. A complete inspection, safety check and servicing should be made by an authorized dealer at least once a year. Any Problems should be directed to your authorized dealer or call our customer service department.

Symptoms	Remedies
The wheelchair veers right	Check that both casters contact the ground at the same time.
	Check that the tire pressure is correct and equal in both rear wheels.
The wheelchair veers left	Check that both casters contact the ground at the same time.
	Check that the tire pressure is correct and equal in both rear wheels.
Sluggish turn or performance	Check that all nuts and bolts are tight.
	Check that the tire pressure is correct and equal in rear wheels.
Caster Flutter	Check that all nuts and bolts are tight.
	Check that both casters contact the ground at the same time.
	Check for wear of casters.
Squeaks and rattles	Check that all nuts and bolts are tight.
Looseness in the wheelchair	Check that all nuts and bolts are tight.

Summary

Congratulations on your **SP3** purchase. Following is a brief summary to refer to if you have any questions. Remember: the entire Operating Manual should be read before your new chair is used. For any questions, please call your authorized Freedom Designs, Inc. dealer or Freedom Designs, Inc. customer service at 1-800-331-8551.

(Always lock the push to lock/pull to lock wheel locks before adjusting the wheelchair).

Unfolding the **SP3**:

1. Place tires on quick release axles and push in until quick release push button “pops out” and wheels are secure.
2. Apply even pressure on the seat rails and push down.
3. Insert swing away/removable armrests into their receivers.
4. Place cushion on hook/loop strips on seat sling.
5. Attach hangers by lining up pivot fittings with receivers on the frame and insert down ward. Swing the hanger inward until it locks in place.
6. Flip down the footplates and place them in the down position or attach the footboard.
7. Adjust anti-tip tubes to the downward or rearward position.

Folding the **SP3**:

1. Flip up the individual footplates or remove the solid footboard.
2. Pull back on the hanger release lever and swing the hangers outward.
3. Remove cushion from sling seat.
4. Remove swing away/removable armrests from receivers.
5. Grip seat sling in the front and back and lift upward until chair folds.
6. Squeeze quick release axle button and pull wheel off of the frame.

Quick Release Axle:

1. Unlock the wheel locks.
2. Grasp the frame with one hand.
3. With your other hand, squeeze the quick release button.
4. The wheel will then pull off easily.

Push to Lock Wheel Lock: To Lock

1. Grasp the lever of the wheel lock with your hand.
2. Push the lever forward to a locked position.

To Unlock

1. Grasp the lever of the wheel lock with your hand.
2. Pull the lever back to release the wheel lock.

Index

Adjustments	5, 37-39	<i>Moving Backward</i>	9
Aluminum Handrims	20	<i>Obstacles</i>	8
<i>Angle Adjustable Footboard</i>	31-33	Packing	18
<i>Anti-tip Tubes</i>	4-7,9,13,14,20,23,27	<i>Pneumatic Tires</i>	15,27
<i>Armrests</i>	14,18-20,22,34,37	Pop-up Hangers	23,24,30,31
<i>Armrest Adjustments</i>	37	<i>Positioning Belt</i>	15
<i>Assistance</i>	6	<i>Power Drive Attachment</i>	16
Axle Height Adjustment Plate	20, 39	Published Date	1
Backposts	18-20, 24, 36	<i>Push Handles</i>	20
Backpost Adjustment Plate	20	<i>Push to Lock Wheel Locks</i>	19-21, 24, 35, 38-40
Backpost Pivot Plate	20	<i>Quick Release Axles</i>	16,19,20,33
Bending	4	Quick Release Button	33
Canopy	19	Ramps	9,10
<i>Casters</i>	19,20,32,35,38,42	<i>Reaching</i>	8
Caster Forks	19,20,35,38	Rear Axle	7, 24
<i>Caster Fork Adjustment</i>	37	<i>Rear Axle Adjustment</i>	39
Caution	4	Rear Axle Position	38
<i>Center of Balance</i>	7	Rear Axle Plate	20,39
Cleaning	41	Rear Wheels	16,20
<i>Climbing a Curb or Step</i>	12	<i>Rear Wheel Locks</i>	16
<i>Climbing Stairs</i>	12	<i>Reduction of Risk of Accident</i>	4
Color	19	Remedies	41
<i>Curbs & Steps</i>	10	Reverse Configuration	40
<i>Cushion & Sling Seat</i>	14,20	Reverse Configuration Kit	40
Depth	19	Safety Inspection Checklist	41
Doctor	1,6,7	Shipping	18
<i>Descending a Curb or Step</i>	12	Side Hills	9
<i>Descending Stairs</i>	12	Slopes	9
<i>Dressing or Changing Clothes</i>	7	Specifications	19
<i>Environmental Conditions</i>	5	<i>Stairs</i>	11
<i>Every Wheelchair is Different</i>	4	Storage	41
Escalator	11	<i>Street Use</i>	5
<i>Fasteners</i>	20	Summary	42
Features	20	Swing Away Hangers	19,20,23,24,28,29
<i>Flip-up Footplate</i>	20, 30, 31	Symptoms	41
Folding the Wheelchair	24-26, 43	Table of Contents	2-3
Footboard	19,20,31-33	<i>Terrain</i>	5
<i>Footplate</i>	18, 20, 22,23,30,31	Tie-Downs	11-13
<i>Footrests</i>	14	<i>Tires</i>	19,27
Frame	20	<i>Transfers</i>	10
Frame Color	19	<i>Transport Option</i>	6, 13
Frame Length	19	<i>Transport Use</i>	11
<i>General Warnings</i>	4-6	Troubleshooting	42
Height Adjust Hanger Clamp	20,30	Unfolding the Wheelchair	21-23, 43
Home Health Care Agency	1	<i>Upholstery Fabric</i>	17
Home Medical Equip. Supplier	1	Warnings: Falls & Tip-Overs	7-11
Index	44	Warnings: For Safe Use	11-13
Initial Inspection Checklist	18	Warnings: Components	13-17
Introduction	1	& Options	
Latch Style Hangers	23, 24, 28	<i>Warranty</i>	45
Leaning	8	<i>Weight Limitation</i>	4
Main Frame	27-36	<i>Wheelies</i>	7
Maintenance	13, 41	Wheel Locks	16,19,20,36,38
Modifications	5	<i>Wheel Lock Adjustments</i>	38
Modified Seating Systems	16	<i>Wheel Lock Options</i>	36
Motor Vehicle Safety	6	Width	7,20

SP 3

Limited Warranty

Freedom Designs, Inc. warrants the **SP3** frame and quick release axles on all models against defects in material and workmanship for a lifetime of the original purchaser.

All manufactured and distributed parts and components, (including frame components, axle plates, caster plates, armrests, backrests, etc.), are warranted against defects in materials and workmanship for one year from purchase date. Those items not warranted are all tires and tubes and push handle grips.

Freedom Designs, Inc. will repair or replace parts as required, provided that the authorization for such a return has been acquired by an established Freedom Designs, Inc. dealer and that the parts in question are returned by the Freedom Designs, Inc. dealer, fully insured with freight pre-paid, To Freedom Designs, Inc., 2241 Madera Road, Simi Valley, CA. 93065, within the prescribed period of warranty. Labor charges incurred in the installation or repair of the above mentioned parts, plus all freight charges are not included in the warranty.

Freedom Designs, Inc. will not warranty any parts damaged by improper installation and/or repair on the part of the individual owner, neglect, accident or misuse, nor those parts altered or serviced by an agency not authorized by Freedom Designs, Inc.

Freedom Designs, Inc.'s sole liability extends to repair or replacement of parts or components as previously specified. The foregoing is in lieu of all warranties, expressed, implied or statutory, whether written or oral. Warranty applies in the U.S. only; Check with Freedom Designs, Inc.'s distributor regarding international warranties.



FREEDOM DESIGNS, INC.

2241 Madera Road • Simi Valley, California 93065 USA
(805) 582-0077 • (800) 331-8551 • FAX (888) 582-1509

www.freedomdesigns.com