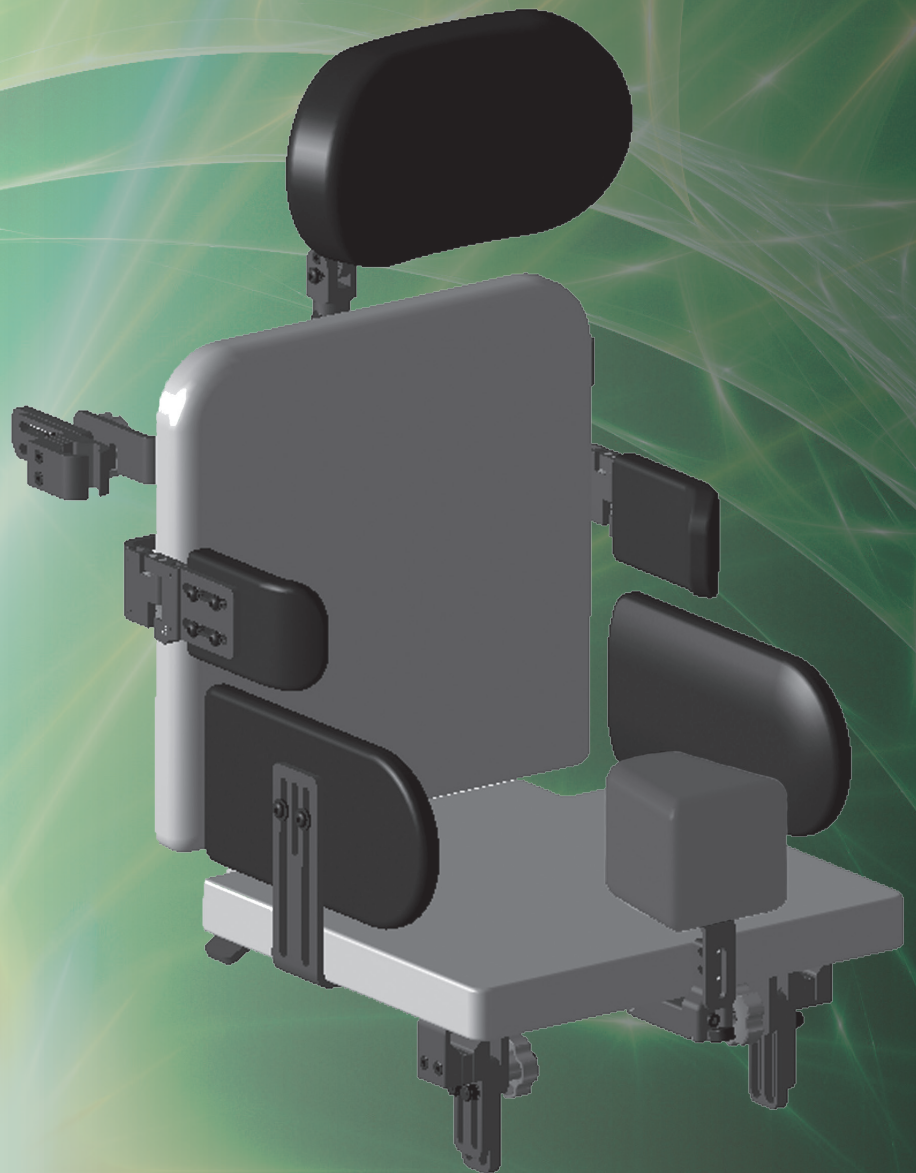
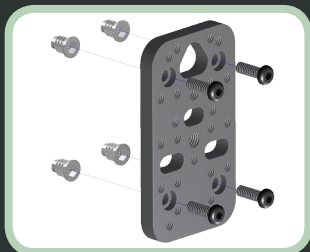
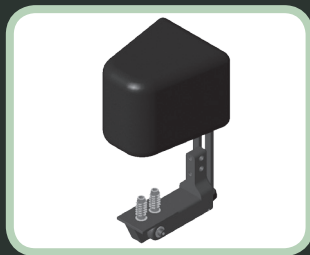
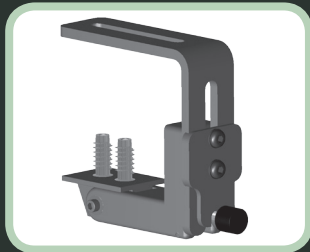




# Freedom Designs, Inc.



Seating &  
Positioning

HARDWARE  
CATALOG  
2010

# ***Making More than Products ...Making a Difference!***

Corporate Office & Manufacturing Facility - Simi Valley, CA USA



Freedom Designs, Inc., a member of the Helixx Group, has designed and manufactured specialized wheelchair frames, custom seating and positioning systems, hardware, and accessories for over 26 years. Utilizing an in-house machine shop and highly specialized staff, Freedom Designs is able to offer functional, durable, and cost effective products – all manufactured in the U.S.A.

We are proud of many on-going industry contributions over the years. These include active involvement with seating/positioning and wheelchair code development for funding agencies, offering the first technical seminars for therapist/dealer training, design and manufacture of the first folding tilt-in-space wheelchair (Libre/Gizmo), the first mid-wheel drive wheelchair (Tripod) and the Freedom CGX, the first cable-free, center of gravity, tilt-in-space wheelchair.

Major company goals have been, and continue to be, the provision of both innovation and high quality products complemented by a seasoned, knowledgeable, and caring customer service and support staff.

The Freedom Designs team thanks you for your interest and for giving us the opportunity to serve your needs.

## **OUR QUALITY PLEDGE:**

**Freedom Designs makes the following commitments to our valued customers:**

- ✓ To provide excellent customer service by listening and assisting in a timely and thorough manner.
- ✓ To represent our products at the highest level of quality as well as maintaining and providing a high professional standard.
- ✓ To ensure order accuracy by thorough quality control and attention to detail.
- ✓ To continue improving operations, providing for on-going growth and increased efficiencies for our customers.

**If you require items not found in this catalog, please contact us as many other products are available. For price lists please call our Customer Service Department at (800) 331-8551 or visit our website at [www.freedomdesigns.com](http://www.freedomdesigns.com)**



# Seating & Positioning Hardware



## Terms & Conditions

### Dealer Accounts & Terms

A Freedom Designs, Inc. dealer application must be completed and approved before an account can be established. Freedom Designs standard terms for open accounts are net 30 days, unless other terms are agreed upon. Completed orders will not be shipped and new orders will not be processed on accounts with outstanding balances over 60 days.

### Ordering

Orders may be placed over the telephone, faxed, mailed or e-mailed into the Customer Service Department. Phone orders must be followed up with a hard copy confirming P.O. For any questions, please call Customer Service.

### Published Prices

Please reference pricing in our separately published price list. Call for a copy or visit our website. Prices are subject to change without prior notice.

### Price Quotes

Upon request, Customer Service will provide a written quote which is valid for 60 days.

### Shipping

All Freedom Designs, Inc. products are shipped ground, FOB Simi Valley. Freight charges on factory installs may apply on wheelchairs not manufactured by Freedom Designs, Inc. For requests of special handling or exceptional freight, up-charges will be billed.

### Returns

All returns must have a Return Authorization Number on the box and must be shipped freight pre-paid. Product received without a valid R.A. # will be refused. The R.A. # must be obtained from the Customer Service Department. All returns MUST be received in the factory within 45 days of issuance of the R.A. #. Returns are subject to examination at the discretion of Freedom Designs, Inc. Returns may be subject to a 25% restocking fee. Custom fabricated products are non-returnable.

### Cancellations

Prior to canceling an order, a valid cancellation number must be obtained from Freedom Designs Customer Service Department. Restocking charges will occur on orders in progress and will be assessed based on the stage of completion. Custom fabricated products will be charged at 100%.

### Errors & Omissions

All Freedom Designs products are quality controlled prior to shipping. However, should there be a problem, it must be reported to Customer Service within three weeks of receipt of the order.

### Liability

Freedom Designs, Inc. is not responsible for any product used incorrectly or with the wrong application. We recommend that positioning products be used in conjunction with a team of professionals that have been involved with the evaluation of the client. Freedom Designs, Inc. is responsible for any product that is defective in manufacturing or that was made in error by Freedom Designs, Inc.

### Business Hours

Customer Service: Monday through Friday  
6:00 a.m. to 5:00 p.m. PST.  
(800) 331-8551

Message Center: Available when factory is closed.

FAX Line: Available 24 hours a day,  
(Toll Free) 7 days a week.  
(888) 582-1509



403A • 403B • 403C



403AM • 403BM • 403CM



404A • 404B



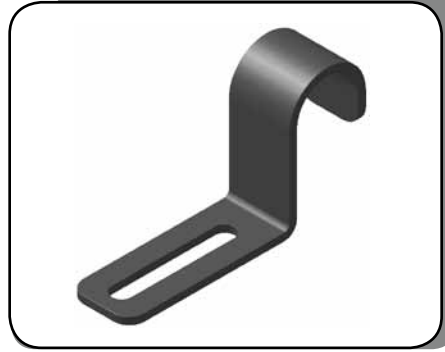
405A1 • 405S1A



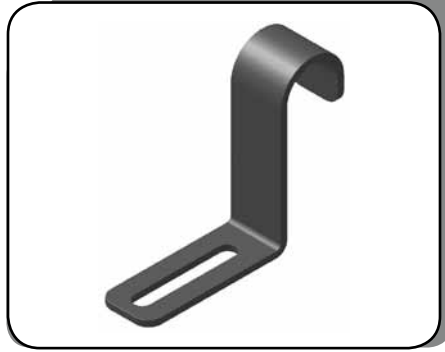
405A1B



406A1 • 406S1



407A1 • 407S1



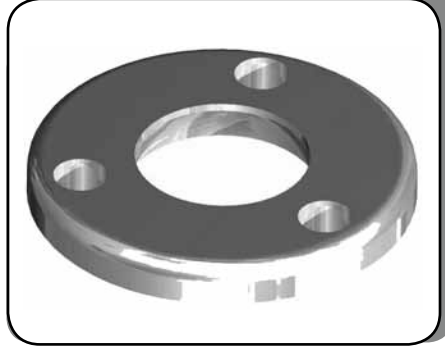
408



410



411



413A • 413S



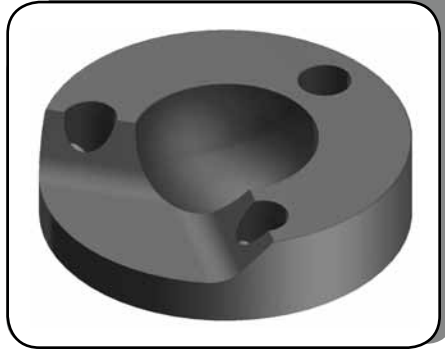
414A • 414S



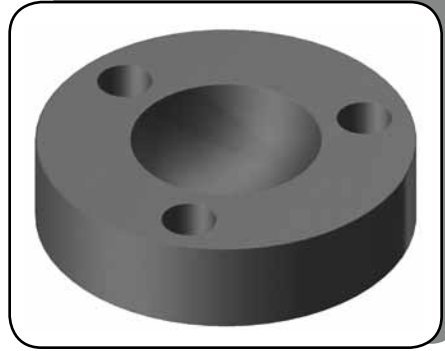
415A • 415S (Set)



416



418





# Seating & Positioning Hardware

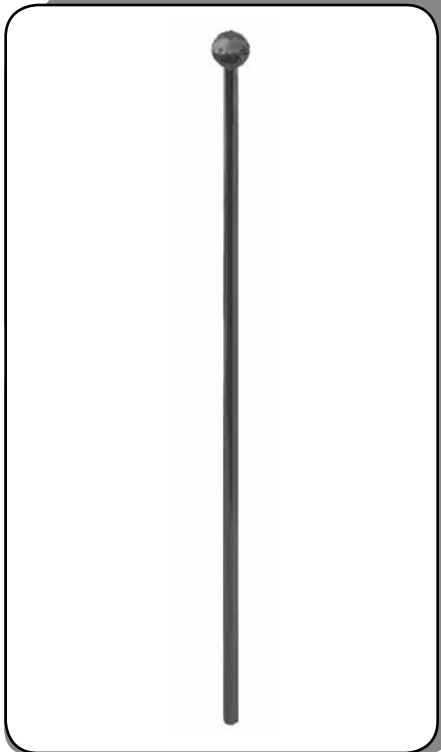


Part No.	Description:	Size/Configuration:
<b>403A</b>	Split Collar Clamp - 1"	n/a
<b>403AM</b>	Split Collar Clamp - Milled 1"	n/a
<b>403B</b>	Split Collar Clamp - 7/8"	n/a
<b>403BM</b>	Split Collar Clamp - Milled 7/8"	n/a
<b>403C</b>	Split Collar Clamp - 3/4"	n/a
<b>403CM</b>	Split Collar Clamp - Milled 3/4"	n/a
<b>404A</b>	Split Round Clamp - 1"	n/a
<b>404B</b>	Split Round Clamp - 7/8"	n/a
<b>405A1</b>	Drop Hook 1" - Aluminum	2-3/4" w/2" slot
<b>405A1B</b>	Drop Hook 0" - Aluminum	2-3/4" w/2" slot
<b>405S1A</b>	Drop Hook 1" - Stainless (not shown)	2-3/4" w/2" slot
<b>406A1</b>	Drop Hook 2" - Aluminum	2-3/4" w/2" slot
<b>406S1</b>	Drop Hook 2" - Stainless (not shown)	2-3/4" w/2" slot
<b>407A1</b>	Drop Hook 3" - Aluminum	2-3/4" w/2" slot
<b>407S1</b>	Drop Hook 3" - Stainless (not shown)	2-3/4" w/2" slot
<b>408</b>	U-Clamp - One Size	n/a
<b>410</b>	Washer Clamp - Milled	n/a
<b>411</b>	Washer Clamp	n/a
<b>413A</b>	L-Bracket - Aluminum	4" L/3/4" spacing
<b>413S</b>	L-Bracket - Stainless (not shown)	4" L/3/4" spacing
<b>414A</b>	J-Bracket - Aluminum	4" L/3/4" spacing
<b>414S</b>	J-Bracket - Stainless (not shown)	4" L/3/4" spacing
<b>415A</b>	J & L w/Fasteners - Aluminum	4" L/3/4" spacing
<b>415S</b>	J & L w/Fasteners - Stainless (not shown)	4" L/3/4" spacing
<b>416</b>	Ball Base - Milled	n/a
<b>418</b>	Ball Base	n/a

424-2



428



430 (PR)



430A (PR)



430B



430C



431



432A



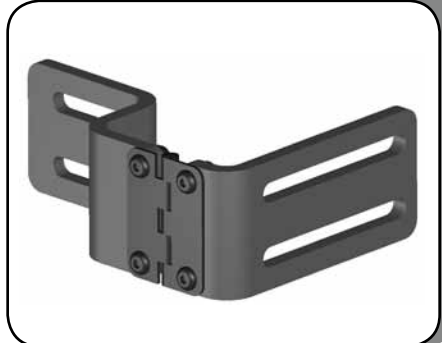
432B



432C



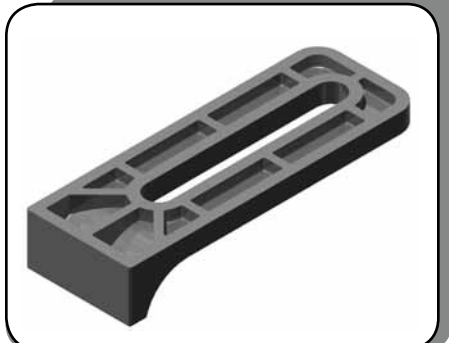
432D



436



436A





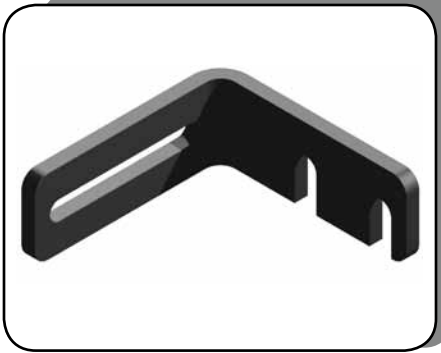
# Seating & Positioning Hardware



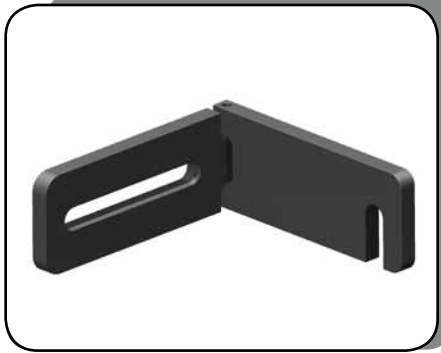
Part No.	Description:	Size/Configuration:
<b>424-2</b>	Abductor Bracket - Flip (EE3B)	3/4" space seat   1" pad
<b>428</b>	Trunk Support Rod	n/a
<b>430</b>	Seat To Back Hinge - Offset	5" long slot   both
<b>430A</b>	Seat To Back Hinge - Flush	4" slot bottom   6" top
<b>430B</b>	Flip & Fold Seat To Back Hinge-Standard Size	n/a
<b>430C</b>	Flip & Fold Seat To Back Hinge-Child Size	n/a
<b>431</b>	Vertically Removable Bracket	6-3/4" vertical slot   3-1/4" top
<b>432A</b>	Free Swing Thoracic Lateral Support - Short	3" slot rear   2" front
<b>432B</b>	Free Swing Thoracic Lateral Support - Long (front plate longer)	3" slot rear   2" front
<b>432C</b>	Free Swing Thoracic Support - 1" Offset	3" slot rear   1-1/2" front
<b>432D</b>	Free Swing Thoracic Support - 2" Offset	3" slot rear   1-1/2" front
<b>436</b>	Clamp - 30°	3-1/2" long   2" slot
<b>436A</b>	Clamp - 30° - EE Lite	3-1/2" long   2" slot



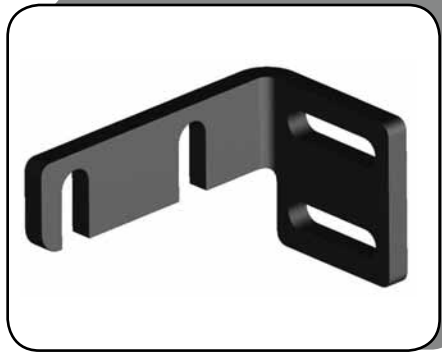
437A



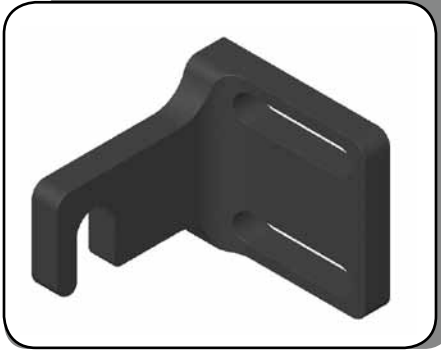
437B



437C



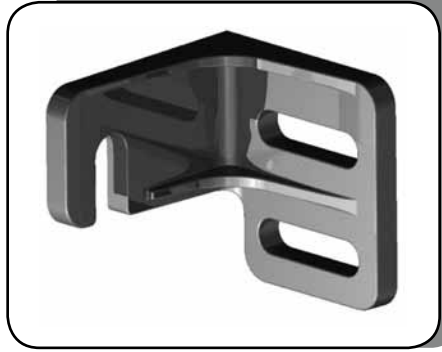
437E



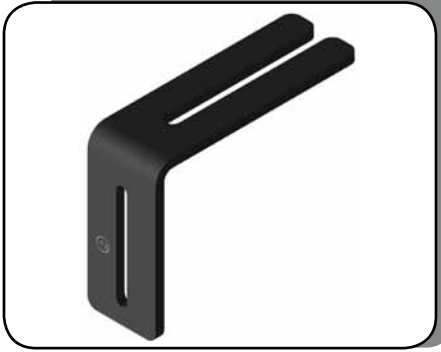
437F



437G



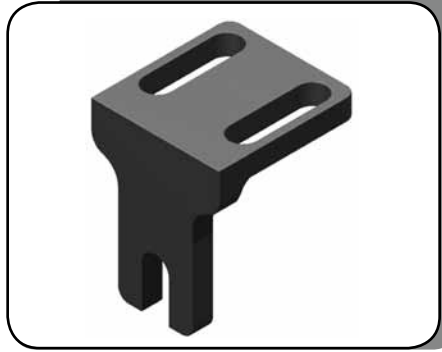
438



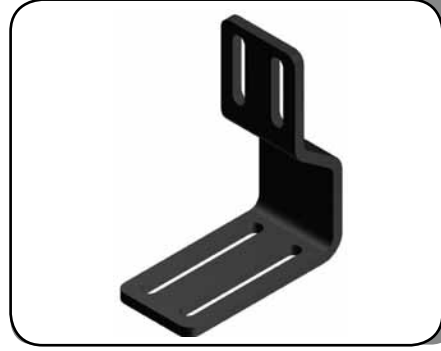
439



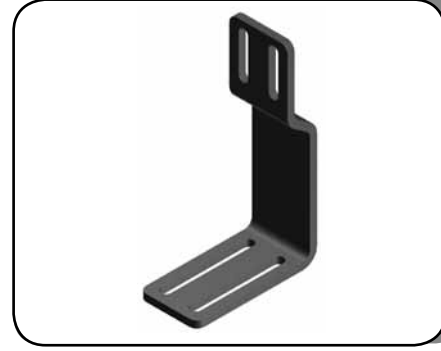
439A



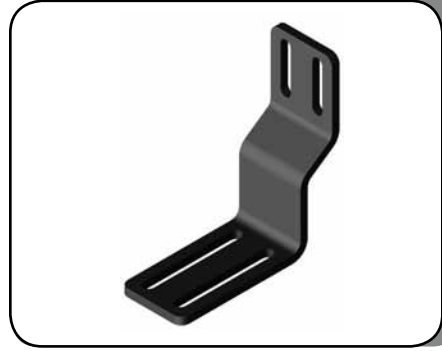
442



442A



442B



442C







# Seating & Positioning Hardware



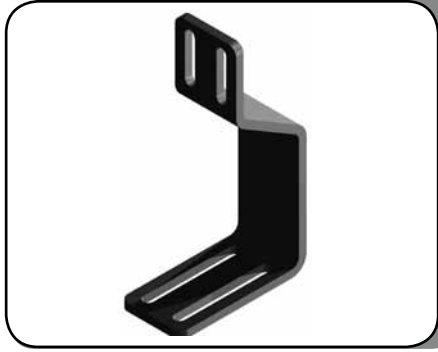
Part No.	Description:	Size/Configuration:
<b>437A</b>	Back Mount Bracket - EE2 - 2 Slot	2-1/2" slot
<b>437B</b>	Back Mount Bracket - EE2 Hinged	2-1/2" slot
<b>437C</b>	Back Mount Bracket - EE2 Pediatric	1-1/8" slots
<b>437E</b>	Back Mount Bracket - EE2 Micro	1-1/8" slots
<b>437F</b>	Back Mount Bracket - EE2 Lite	2-1/2" slot
<b>437G</b>	Back Mount Bracket - EE2 Micro Lite	1-1/8" slots
<b>438</b>	Abductor Bracket - Slide In	4-1/2" slot open   3" closed
<b>439</b>	Seat Mount Bracket - EE1	2-1/2" slot
<b>439A</b>	Seat Mount Bracket - EE1 Micro	1-1/8" slot
<b>442</b>	1" O/S Fixed Lateral Thoracic - Hip	3" slot   1-1/2" slot for pad
<b>442A</b>	1" O/S Fixed Extended Lateral Thoracic/Hip	As above 3-1/4" before O/S
<b>442B</b>	1" Reverse O/S Fixed Lateral Thoracic/Hip	3" slot   1-1/2" slot for pad
<b>442C</b>	1" O/S— Summer/Winter Fixed Lateral Thoracic Hip	5 holes   1/2" spacing



443



443B



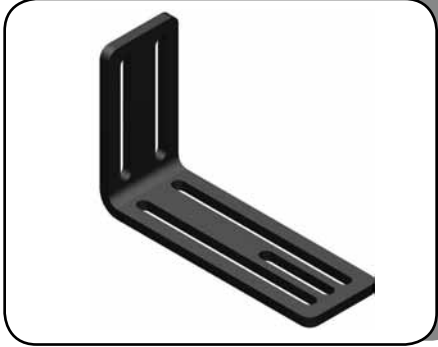
443C



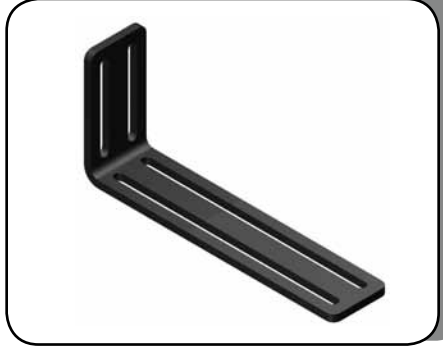
445



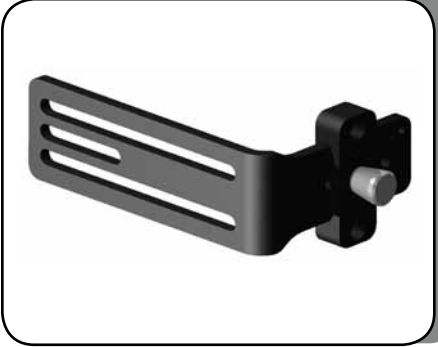
450A



450B



450C



452



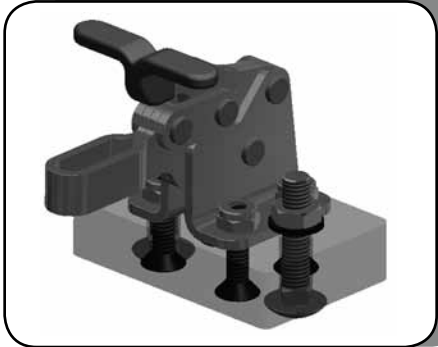
453A



454A



454B



454C





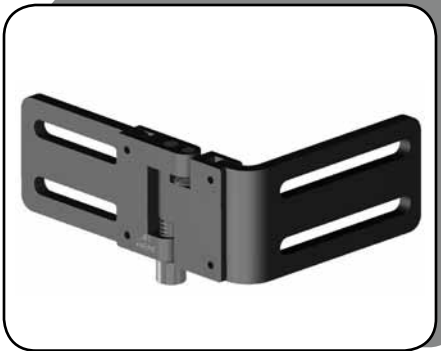
# Seating & Positioning Hardware



<b>Part No.</b>	<b>Description:</b>	<b>Size/Configuration:</b>
<b>443</b>	2" Offset Fixed Thoracic/Hip	3" slot   1-1/2" slot for pad
<b>443B</b>	2" Offset Fixed Extended Thoracic/Hip	Same as above   3-1/4" before O/S
<b>443C</b>	2" O/S - Summer/Winter Fixed Thoracic/Hip	5 holes   1/2" spacing
<b>445</b>	Flat Dual Slot Bracket - Multiple Application	5" slot   1" spacing
<b>450A</b>	L-Bracket Thoracic/Hip	5" front slot   3" rear
<b>450B</b>	L-Bracket Extended Thoracic/Hip	8" front slot   3" rear
<b>450C</b>	L-Bracket Summer/Winter Thoracic/Hip	5" slot   5 holes
<b>452</b>	L-Bracket Headrest Mount	3" top slot   1-1/4" bottom
<b>453A</b>	Abductor Bracket - Flip - Long EE3E	7" long x 2" wide
<b>454A</b>	Adjustable Knob Release Tray Hardware	n/a
<b>454B</b>	Toggle Clamp Release Tray Mounting Hardware	n/a
<b>454C</b>	Mounting Straps - Tray Hardware	n/a



455A



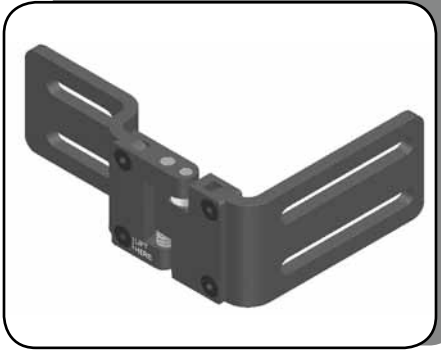
455A-M



455B



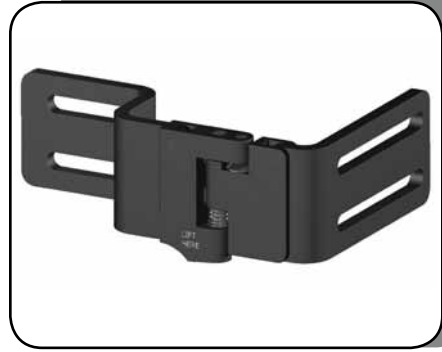
455C



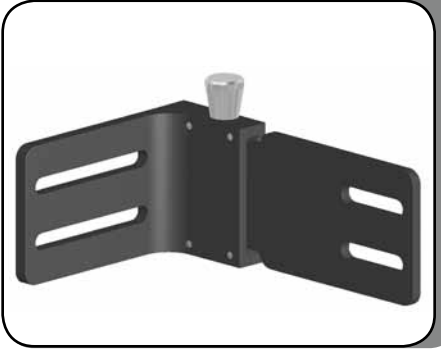
455C-M



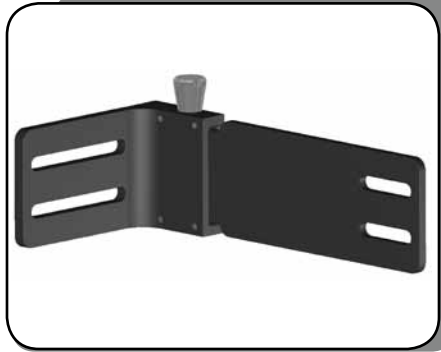
455D



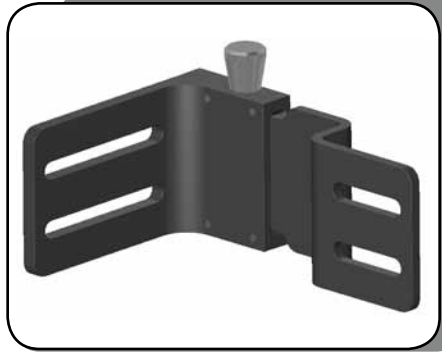
456A



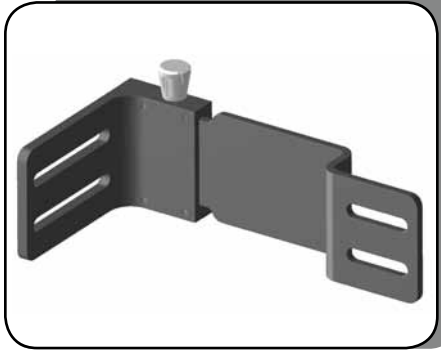
456AE



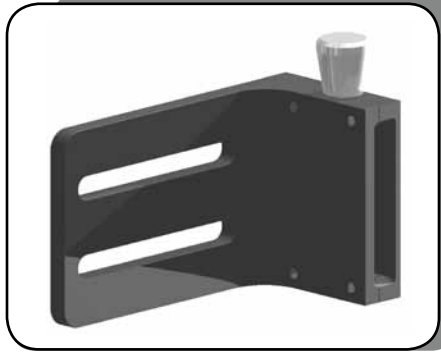
456B



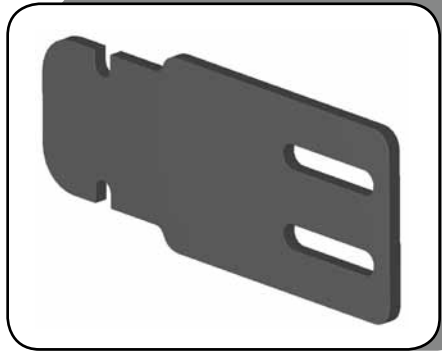
456BE



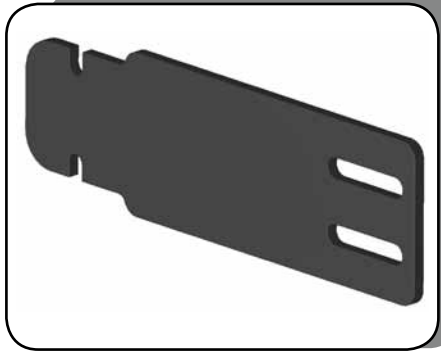
456D



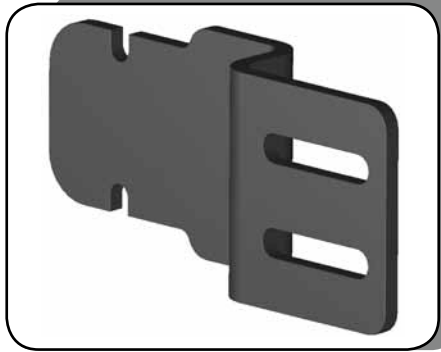
456E



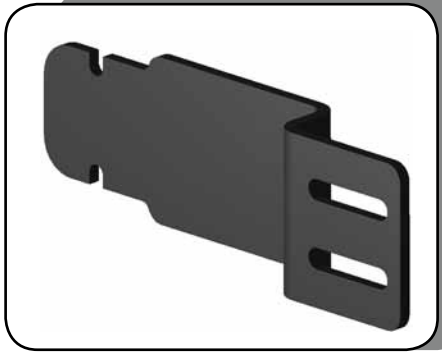
456EE



456F



456FE





# Seating & Positioning Hardware



## Part No. Description:

## Size/Configuration:

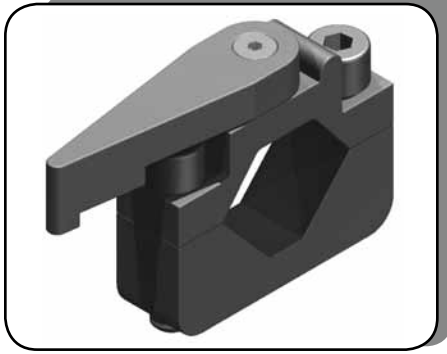
<b>455A</b>	Locking Swing Away Thoracic/Short Assembly	3" rear slot   2" front
<b>455A-M</b>	Locking Swing Away L-Bracket - Micro Hardware	----
<b>455B</b>	Locking Swing Away Thoracic/Long Assembly - Extended	3" rear slot   5" front
<b>455C</b>	Locking Swing Away Thoracic/1" O/S Assembly	3" rear slot   1-1/2" front
<b>455C-M</b>	Locking Swing Away Thoracic/1" O/S Assembly Lift Style -Micro	3" rear slot   1-1/2" front
<b>455D</b>	Locking Swing Away Thoracic/2" O/S Assembly	3" rear slot   1-1/2" front
<b>456A</b>	Quick Release Lateral Hip L-Bracket	2-3/4" rear slot   1-1/2" front
<b>456AE</b>	Quick Release Lateral Hip L-Bracket - Extended	2-3/4" rear slot   1-1/2" front
<b>456B</b>	Quick Release Lateral Hip 1" O/S Bracket	2-3/4" rear slot   1-1/2" front
<b>456BE</b>	Quick Release Lateral Hip 1" O/S - Extended	2-3/4" rear slot   1-1/2" front
<b>456D</b>	Quick Release Lateral Hip Receiver Bracket	2-3/4" slot
<b>456E</b>	Quick Release Lateral Hip Plate L-Bracket	1-1/2" long slot
<b>456EE</b>	Quick Release Lateral Hip Plate L-Bracket Extended	1-1/2" long slot
<b>456F</b>	Quick Release Lateral/Hip Plate-1" O/S Bracket	1-1/2" long slot
<b>456FE</b>	Quick Release Lateral/Hip Plate 1" O/S/ Bracket	1-1/2" long slot



456H



457



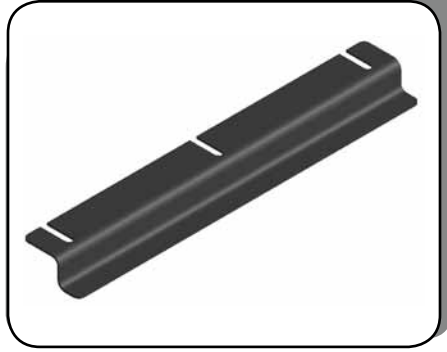
458



460B



461



462A (PR)



462B (PR)



462C (PR)



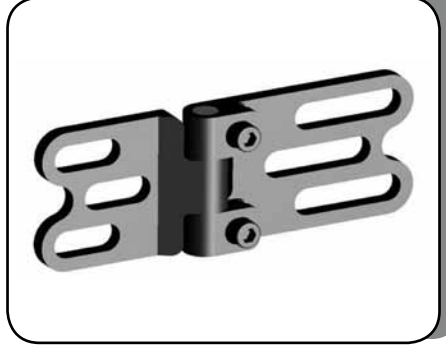
462D (PR)



462G (PR)



463G





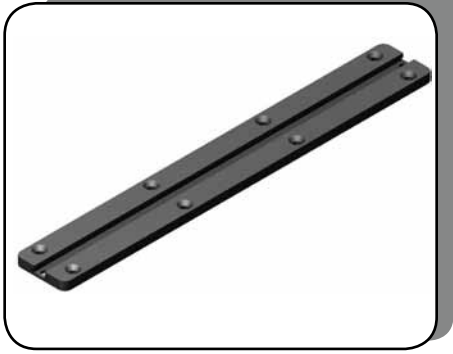
# Seating & Positioning Hardware



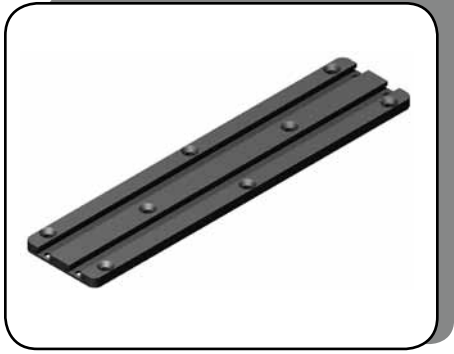
Part No.	Description:	Size/Configuration:
<b>456H</b>	Silver Pull Knob Only For Quick Release Hip Guide	n/a
<b>457</b>	Quick Release Frame Clamp	n/a
<b>458</b>	Slide Guide Screw For Abductor & Headrest	n/a
<b>460B</b>	Flip Top Plate - Heavy Duty	2-1/4" long each side
<b>461</b>	Channel Brackets Tray Mounting Hardware	16" long/slots 7" apart
<b>462A</b>	Frame Clamps EE Hardware - Standard Round	2-1/4" long slots
<b>462B</b>	Frame Clamps Square—Through Frame	2-1/2" long slots
<b>462C</b>	Frame Clamps Square—Around Frame	n/a
<b>462D</b>	Frame Clamps for Quickie TS Folding Tilt	n/a
<b>462G</b>	Frame Clamps Micro Size For Econo-Eze	n/a
<b>463G</b>	Heavy Duty Hinge - All Applications	3 x 1.5



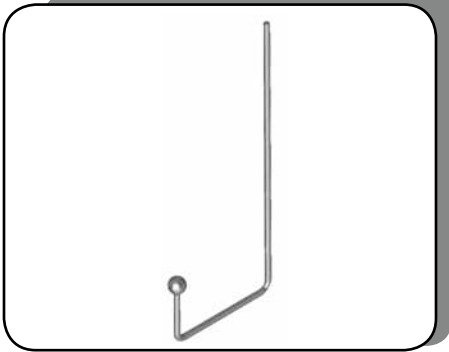
464A • 464B • 464C • 464D • 464E (PR)



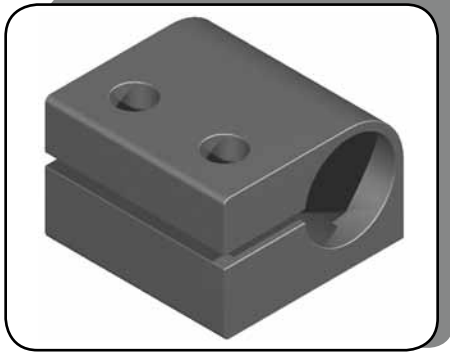
464H • 464I (PR)



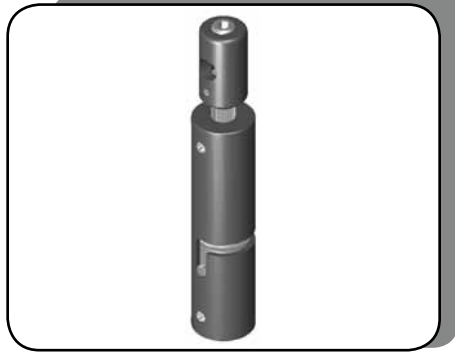
465



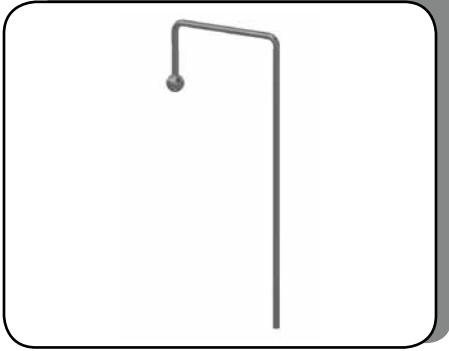
465A



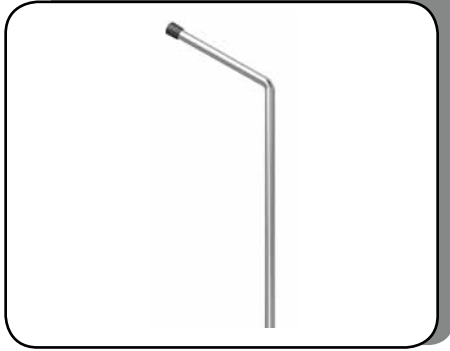
465B - L & R



465C



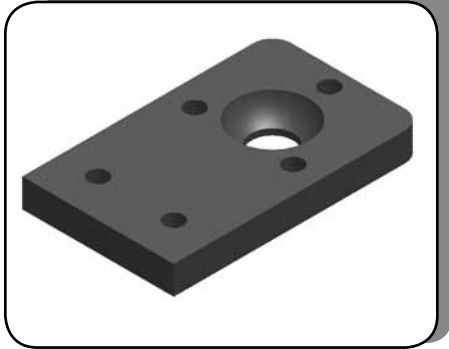
465D



466



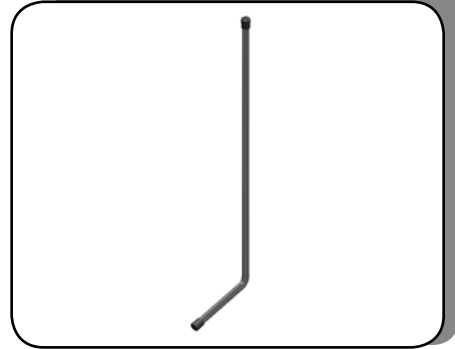
467A



468A • 468B • 468C



469







# Seating & Positioning Hardware



Part No.	Description:	Size/Configuration:
<b>464A</b>	Single Tracks - 11"	11"
<b>464B</b>	Single Tracks - 9"	9"
<b>464C</b>	Single Tracks - 7" (Standard)	7"
<b>464D</b>	Single Tracks - 5"	5"
<b>464E</b>	Single Tracks - 3"	3"
<b>464H</b>	Double Tracks - 9"	9"
<b>464I</b>	Double Tracks - 11"	11"
<b>465</b>	Shoulder Support Bar	9-1/2" before bend   3-1/2" after
<b>465A</b>	Shoulder Retractor Mount Bracket	n/a
<b>465B-L</b>	Shoulder Retractor Mechanism - Left	n/a
<b>465B-R</b>	Shoulder Retractor Mechanism - Right	n/a
<b>465C</b>	Shoulder Retractor Bar - Flat Pad	9-1/2" before bend
<b>465D</b>	Shoulder Retractor Bar - Countoured Pad	9-1/2" before bend
<b>466</b>	L-Bracket Single Slot - Multi Application	3" long slots
<b>467A</b>	Headrest Top Plate Multi Adjustable Mount	2" slots   1" space
<b>468A</b>	Thoracic Lateral Support Fixed Backpost Mount - 1"	n/a
<b>468B</b>	Thoracic Lateral Support Fixed Backpost Mount - 7/8"	n/a
<b>468C</b>	Thoracic Lateral Support Fixed Backpost Mount - 3/4"	n/a
<b>469</b>	Bent Rod With Ball End - Sub A.S.I.S. Bar	15-3/4" long before bend



478A



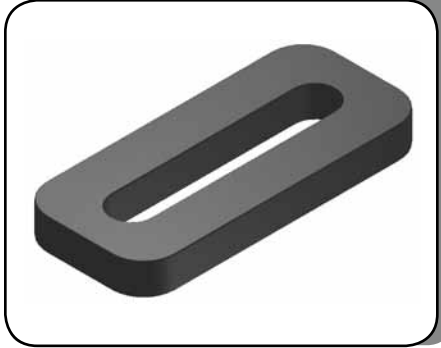
478C



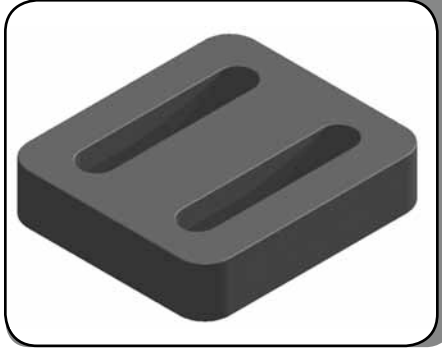
478D



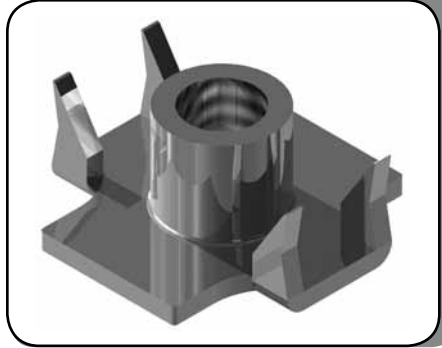
480 (PR)



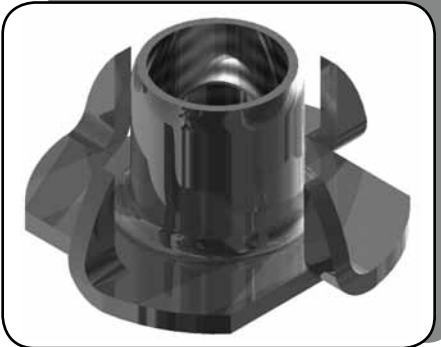
482 • 483 (PR)



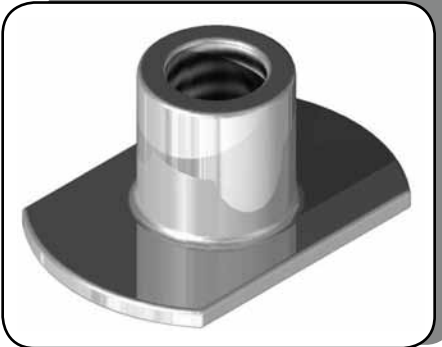
484A



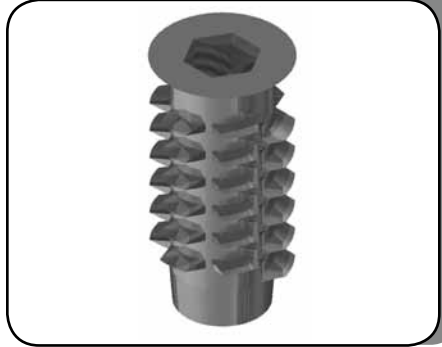
484B



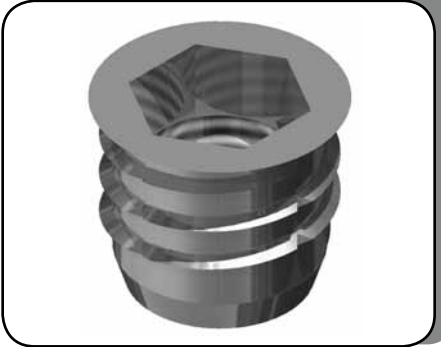
484C



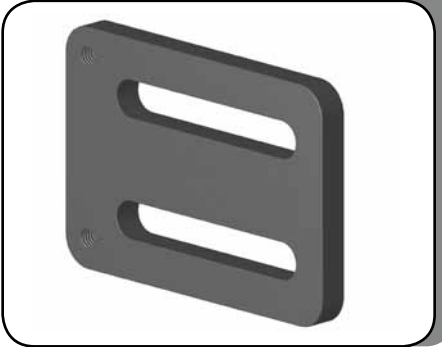
485A



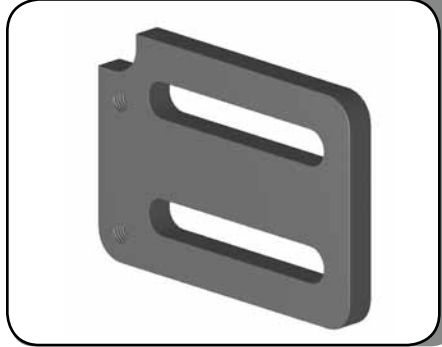
485B



486A



486A-L



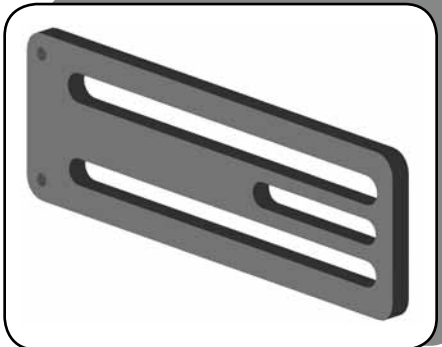
486A-M



486A-LM



486B





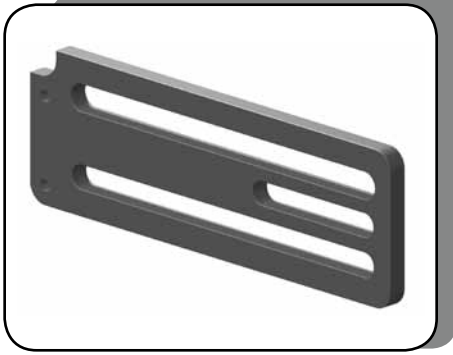
# Seating & Positioning Hardware



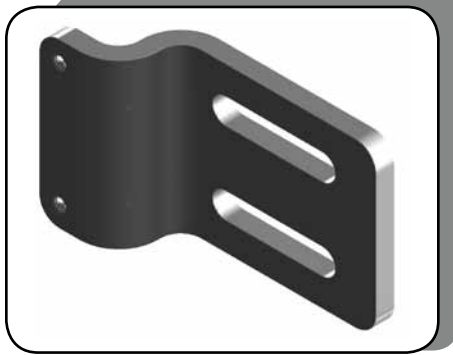
Part No.	Description:	Size/Configuration:
<b>478A</b>	Post - Headrest/Armrest	5-1/2" or 8" long
<b>478C</b>	Pull Knob Assembly - Headrest/Armrest Post	4 T-nuts, Square 1"
<b>478D</b>	Brass Pull Knob For Headrest Hardware 7704	n/a
<b>480</b>	Spacers - Single Slot - 1/4" Thick	1-3/4" long slot
<b>482</b>	Spacers - Dual Slot - 1/2" Thick	1-3/4" long slot   1" space
<b>483</b>	Spacers - Dual Slot - 1/4" Thick	1-3/4" long slot   1" space
<b>484A</b>	T-Nut - 1/4" - 20	n/a
<b>484B</b>	T-Nut - 7/16" - 16	n/a
<b>484C</b>	Track Nut	n/a
<b>485A</b>	Bee Singer - 1/4" - 20	n/a
<b>485B</b>	Bee Stinger - 7/16" - 16	n/a
<b>486A</b>	Swing Away Lat. Support Front Mount Plate	2" long slots
<b>486A-L</b>	Swing Away Lat. Sup. Front Mount Plate For Lever	2" long slots
<b>486A-LM</b>	Swing Away Lat. Sup. Front Mount Plate Short For Lever -Micro	2" long slots
<b>486A-M</b>	Swing Away Lat. Sup. Front Mount Plate Short Lift-Style -Micro	2" long slots
<b>486B</b>	Swing Away Lat. Sup. Front Mount Plate Long	5" long slots



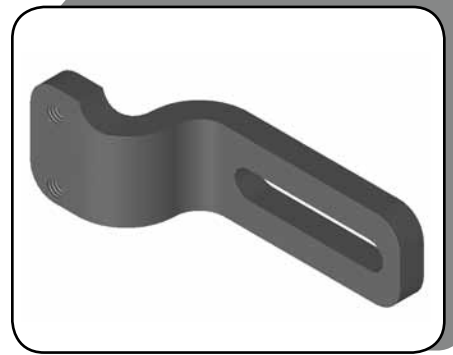
486B-L



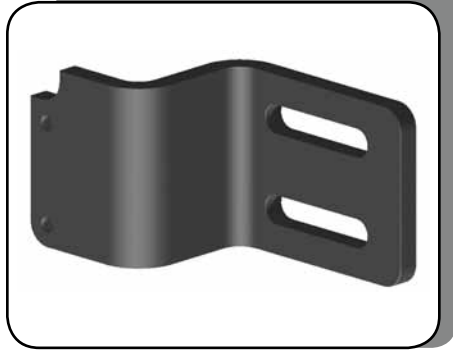
486C



486C-LM-L/R



486D



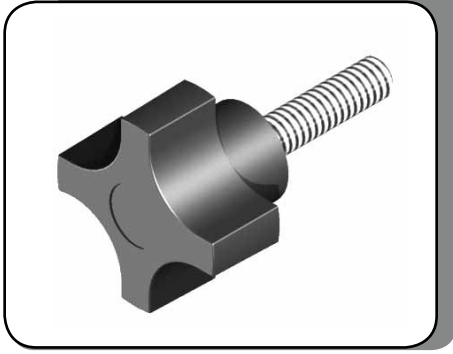
487A



487B



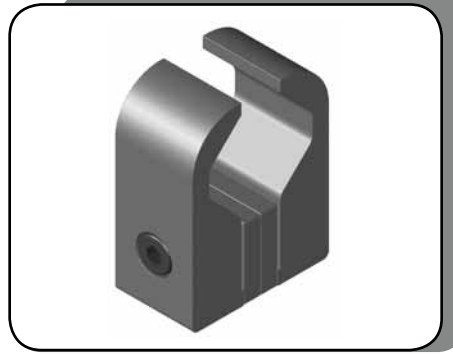
487C • 487D



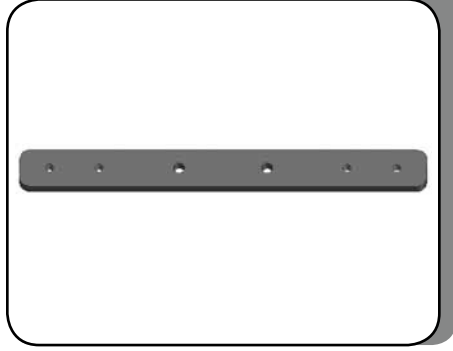
488



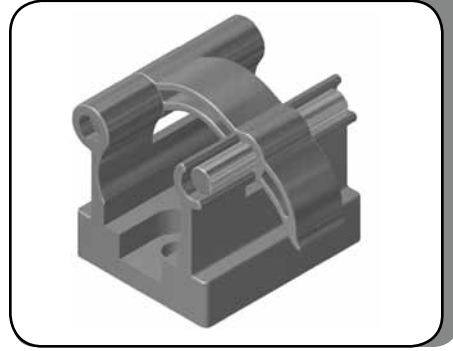
488E



489A, B, C, D, E, F



490A, B, C (Kit) • 491A, B, C



492 • 492S



493 • 493S



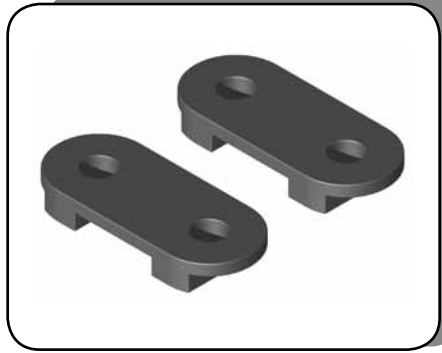


# Seating & Positioning Hardware

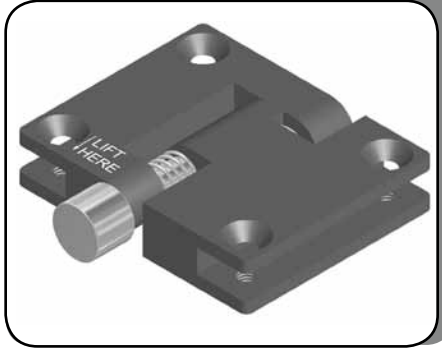


<b>Part No.</b>	<b>Description:</b>	<b>Size/Configuration:</b>
<b>486B-L</b>	Swing Away Lat. Sup. Front Mount Plate Long Lever	5" long slots
<b>486C</b>	Swing Away Thoracic Front Mount Plate - 1" O/S	2" long slots
<b>486C-L-L</b>	Swing Away Lat. Sup. Front Mount Plate 1" O/S—Lever Left (not shown)	2" long slots
<b>486C-L-R</b>	Swing Away Lat. Sup. Front Mount Plate 1" O/S—Lever Right (not shown)	2" long slots
<b>486C-LM-L</b>	Swing Away Lat. Sup. Front Mount Plate 1" O/S—Lever Left - Micro	2" long slots
<b>486C-LM-R</b>	Swing Away Lat. Sup. Front Mount Plate 1" O/S—Lever Right - Micro	2" long slots
<b>486D</b>	Swing Away Lat. Sup. Front Mount Plate - 2" O/S	2" long slots
<b>486D-L-L</b>	Swing Away Lat. Sup. Front Mount Plate 2" O/S—Lever Left (not shown)	2" long slots
<b>486D-L-R</b>	Swing Away Lat. Sup. Front Mount Plate 2" O/S—Lever Right (not shown)	2" long slots
<b>487A</b>	Star Knob, No Stem - EE S & B	n/a
<b>487B</b>	Star Knob, 3/8" - 16 - Headrest	n/a
<b>487C</b>	Star Knob, 1" Stem for 02 Tank Holder	n/a
<b>487D</b>	Star Knob, 3/4" Stem	n/a
<b>488</b>	Econo Eze Clamp Only	n/a
<b>488E</b>	Econo Eze Clamp Only - Micro	n/a
<b>489A</b>	Spreader Bar For 10" - 11" Wide Chair	7-1/4" wide
<b>489B</b>	Spreader Bar For 12" - 13" Wide Chair	9-1/4" wide
<b>489C</b>	Spreader Bar For 14" - 15" Wide Chair	11-1/4" wide
<b>489D</b>	Spreader Bar For 16" - 17" Wide Chair	13-1/4" wide
<b>489E</b>	Spreader Bar For 18" - 19" Wide Chair	15-1/4" wide
<b>489F</b>	Spreader Bar For 20" Wide & Larger Chair	17-1/4" wide
<b>490A</b>	Snaplock Kit - 1" 4 each (Clamp #491A)	n/a
<b>490B</b>	Snaplock Kit - 7/8" 4 each (Clamp #491B)	n/a
<b>490C</b>	Snaplock Kit - 3/4" 4 each (Clamp #491C)	n/a
<b>491A</b>	Snaplock Clamp - 1"	n/a
<b>491B</b>	Snaplock Clamp - 7/8"	n/a
<b>491C</b>	Snaplock Clamp - 3/4"	n/a
<b>492</b>	L-Bracket Single Crescent Back Mounting	4 Holes, 3/4" spacing
<b>492S</b>	L-Bracket Single Crescent Stainless Back Mounting (not shown)	4 Holes, 3/4" spacing
<b>493</b>	L-Bracket Extended Back Mounting	6 Holes, 3/4" spacing
<b>493S</b>	L-Bracket Extended Stainless Back Mounting (not shown)	6 Holes, 3/4" spacing

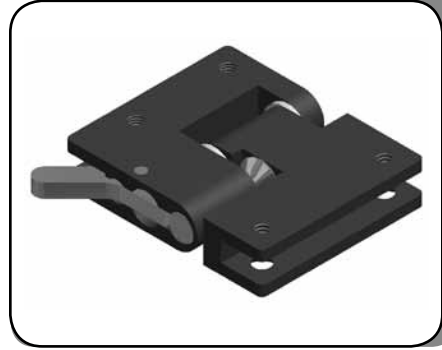
495



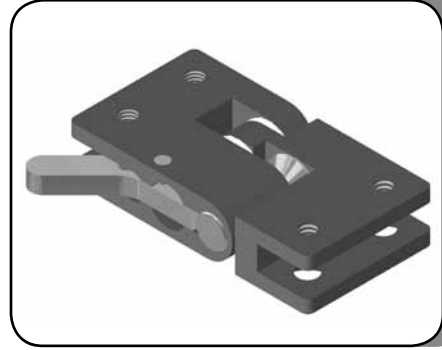
496A



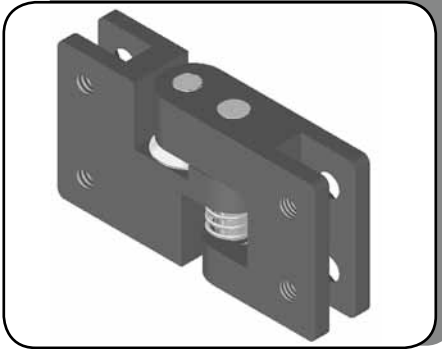
496A-L



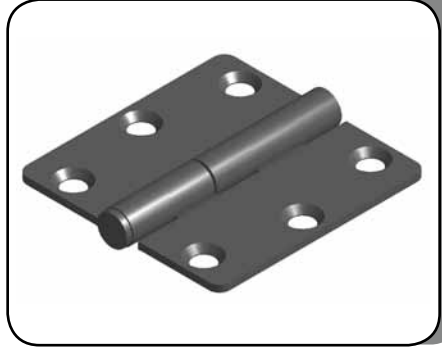
496A-LM



496A-M



496B



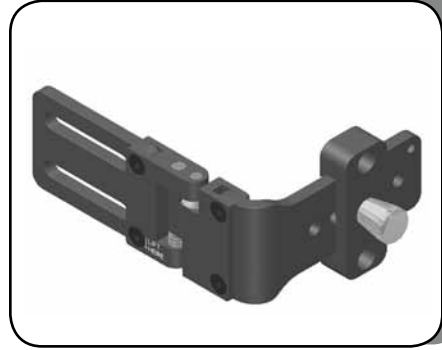
496C



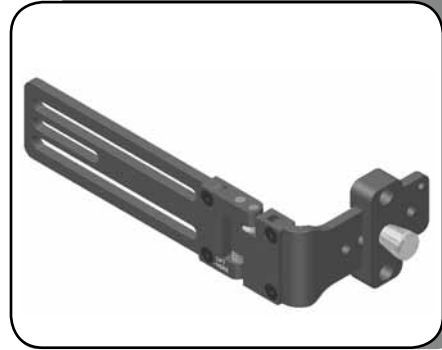
496D



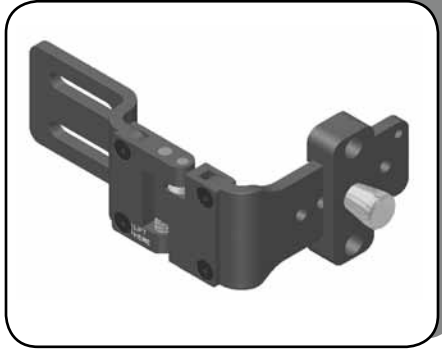
497A



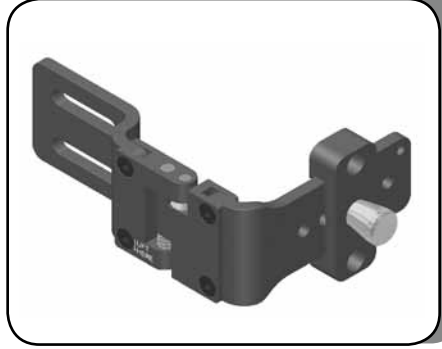
497B



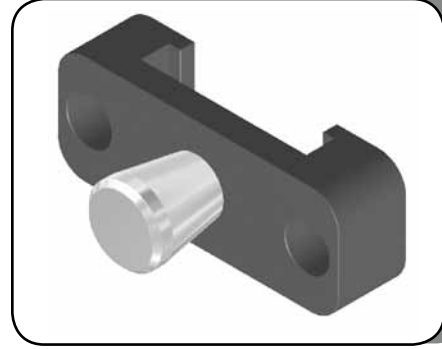
497C



497D



498





# Seating & Positioning Hardware



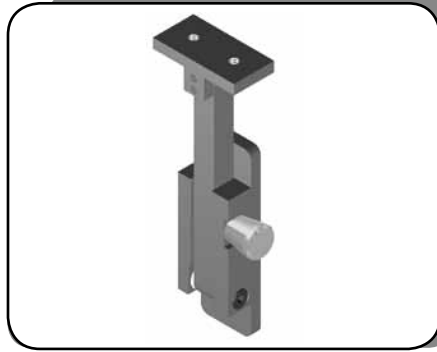
Part No.	Description:	Size/Configuration:
<b>495</b>	Keeper Plate Lateral Support	n/a
<b>496A</b>	Lateral Support Hinge - Locking	n/a
<b>496A-L</b>	Lateral Support Hinge - Lever Style, Lift Style	n/a
<b>496A-LM</b>	Lateral Support Hinge - Lever Style, Micro	n/a
<b>496A-M</b>	Lateral Support Hinge - Locking Lift Style, Micro	n/a
<b>496B</b>	Lateral Support Hinge - Free Swing	n/a
<b>496C</b>	Swing Away Thoracic Rear Mount Plate - Std	3" long slots
<b>496D</b>	Swing Away Thoracic Rear Mount Plate - Summer/Winter	1/2" spacing   5 holes
<b>497A</b>	Swing Away Thoracic with Summer/Winter Short Assembly	2" long slots   5 holes
<b>497B</b>	Swing Away Thoracic with Summer/Winter Long Assembly	5" long slots   5 holes
<b>497C</b>	Swing Away Thoracic with Summer/Winter 1" O/S Assembly	1-1/2" slots   5 holes
<b>497D</b>	Swing Away Thoracic with Summer/Winter 2" O/S Assembly	1-1/2" slots   5 holes
<b>498</b>	Pull Knob with Block - Summer/Winter	n/a



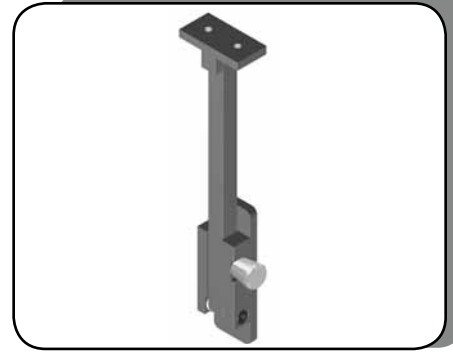
498A



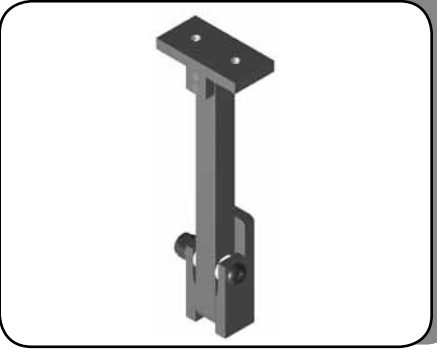
499A



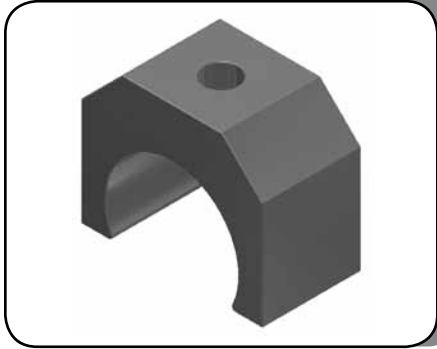
499B



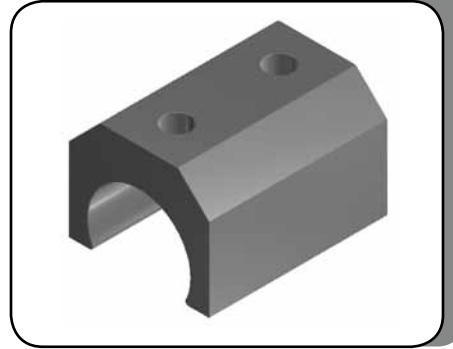
501



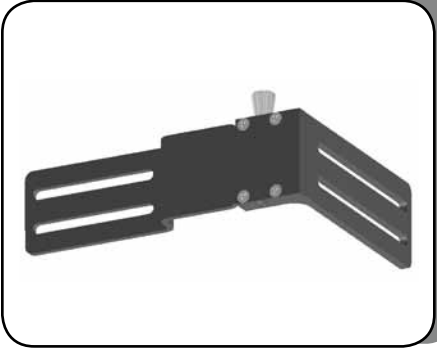
504A



504B



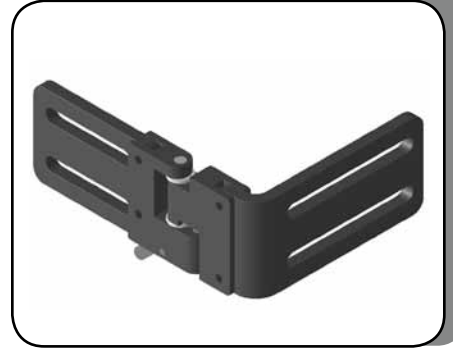
505



509



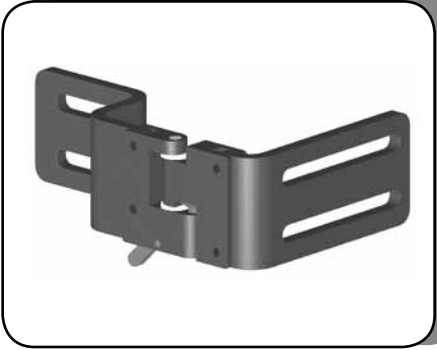
510A



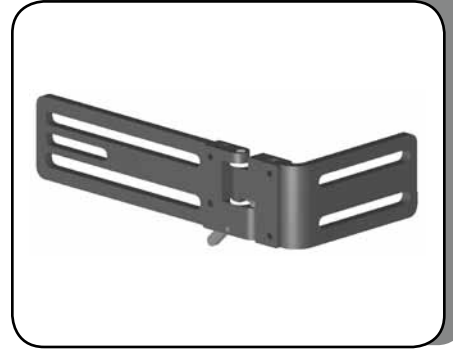
510B



510C



510D







# Seating & Positioning Hardware

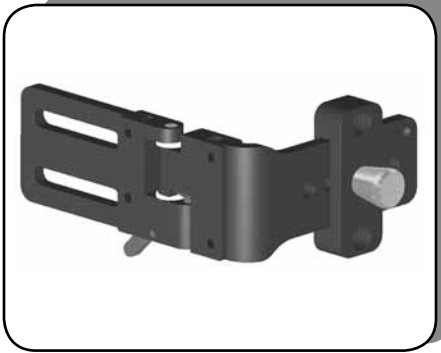


**Part No. Description: Size/Configuration:**

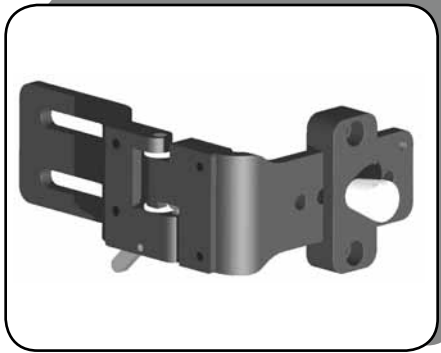
<b>498A</b>	Silver Pull Knob for Summer/Winter	n/a
<b>499A</b>	Pull Knob Flip Back Hardware - Short	5"
<b>499B</b>	Pull Knob Flip Back Hardware - Long	8"
<b>501</b>	Slide/Flip Headrest Hardware	n/a
<b>504A</b>	EZ Lite Clamp - 1" Long	n/a
<b>504B</b>	EZ Lite Clamp With Transport Option	n/a
<b>505</b>	Quick Release Seat/Back Bracket	5" w/5-1/2" long slot
<b>509</b>	Nuts & Bolts Kit	n/a
<b>510A</b>	Swing Away Lever Release Bracket - L	2" long slots   3" rear
<b>510A-M</b>	Swing Away Lever Release Bracket L - Micro (not shown)	2" long slots   3" rear
<b>510B</b>	Swing Away Lever Release Bracket - 1" O/S	1-1/2" long slots   3" rear
<b>510B-M</b>	Swing Away Lever Release Bracket 1" O/S Micro (not shown)	1-1/2" long slots   3" rear
<b>510C</b>	Swing Away Lever Release Bracket - 2" O/S	1-1/2" long slots   3" rear
<b>510D</b>	Swing Away Lever Release Bracket - Extended	5" slots   3" rear



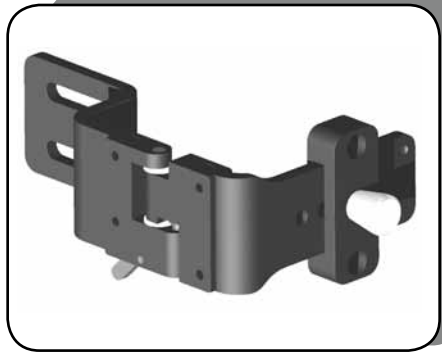
511A



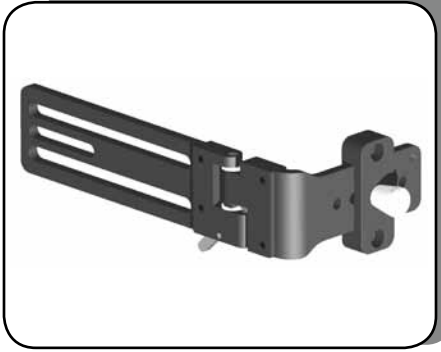
511B



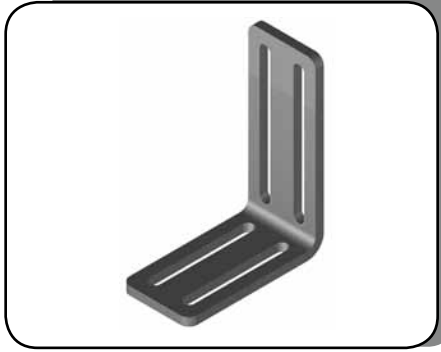
511C



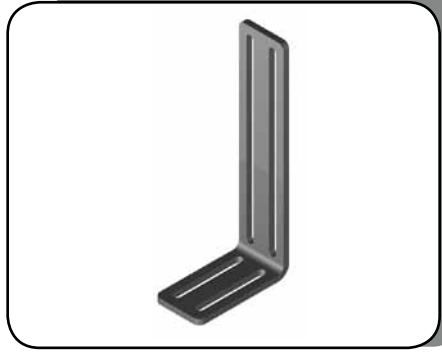
511D



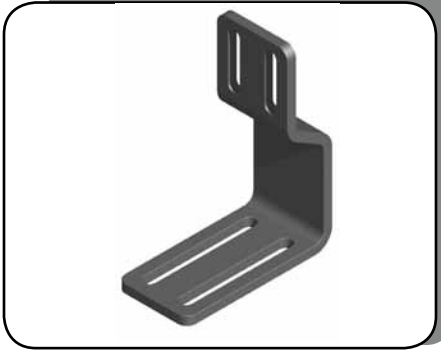
512A (PR)



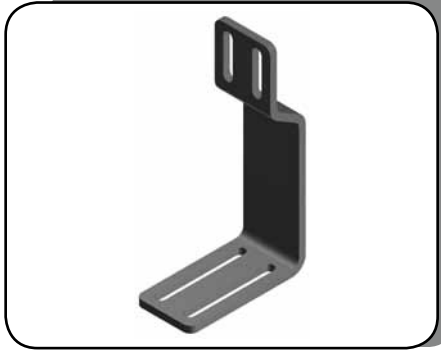
512B (PR)



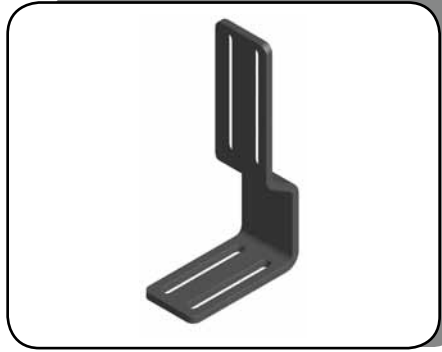
513A (PR)



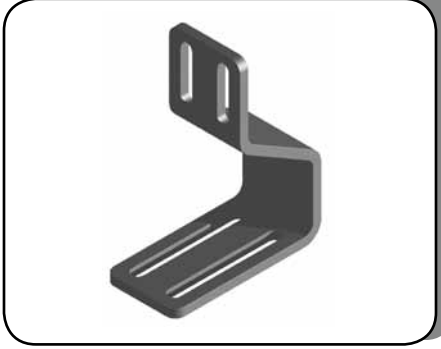
513B (PR)



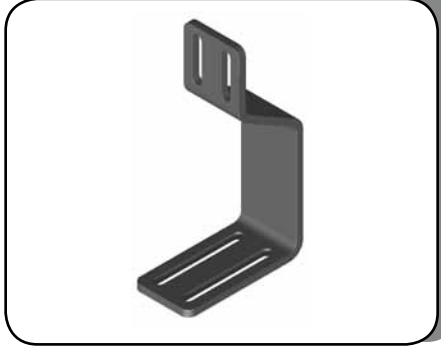
513C (PR)



514A (PR)



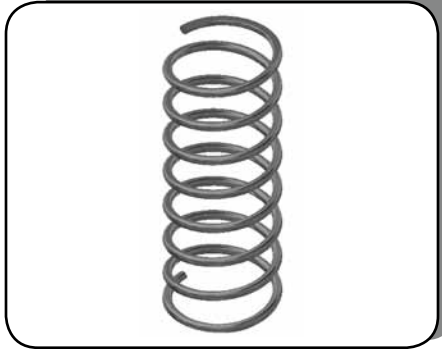
514B (PR)



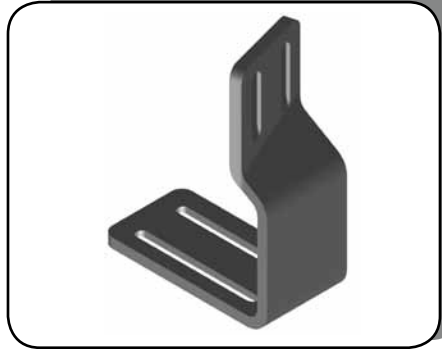
515 (PR)



516A • 516B • 516C (PR)



517





# Seating & Positioning Hardware



Part No.	Description:	Size/Configuration:
<b>511A</b>	Swing Away Lever Release w/Summer/Winter L	1-1/2" long slots   5 holes
<b>511B</b>	Swing Away Lever Release w/Summer/Winter 1" O/S	1-1/2" long slots   5 holes
<b>511C</b>	Swing Away Lever Release w/Summer/Winter 2" O/S	1-1/2" long slots   5 holes
<b>511D</b>	Swing Away Lever Release w/Summer/Winter Extended	1-1/2" long slots   5 holes
<b>512A</b>	Fixed Seat/Back Brackets - L	3" slot bottom   5" top
<b>512B</b>	Fixed Seat/Back Brackets - Extended L	3" slot bottom   8" top
<b>513A</b>	Fixed Seat/Back Brackets - 1" O/S	3" slot   1-1/2" top
<b>513B</b>	Fixed Seat/Back Bracket - Extended 1" O/S Bottom	3" slot bottom   1-1/2" top
<b>513C</b>	Fixed Seat/Back Bracket - Extended 1" O/S Top (This bracket is extended for back adjustment.)	3" slot bottom   4" top
<b>514A</b>	Fixed Seat/Back Bracket - 2" O/S	3" slot bottom   1-1/2" top
<b>514B</b>	Fixed Seat/Back Bracket - Extended 2" O/S Bottom (This bracket is extended for back adjustment.)	3" slot bottom   1-1/2" top
<b>515</b>	Econo-Eze - Spring Loaded Back Fork	n/a
<b>516A</b>	Econo-Eze - Springs - Soft	n/a
<b>516B</b>	Econo-Eze - Springs - Medium	n/a
<b>516C</b>	Econo-Eze - Springs - Firm	n/a
<b>517</b>	Fixed Lateral Hardware - 1" O/S 15° Bend Left/Right	n/a



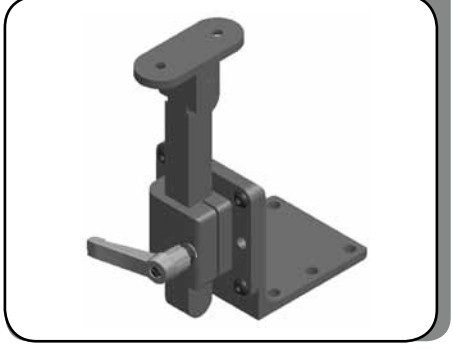
520



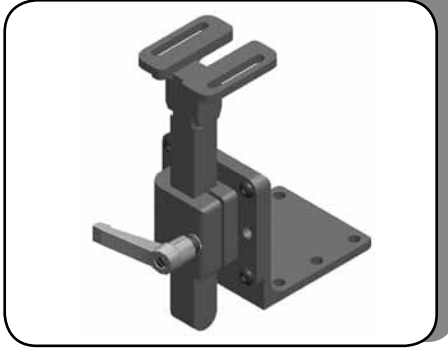
521 (PR)



525



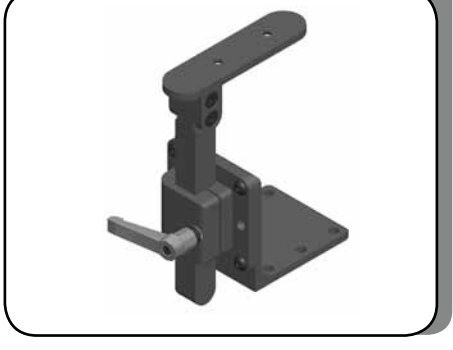
526



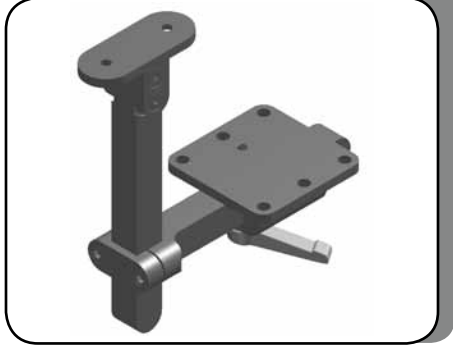
527



528



529



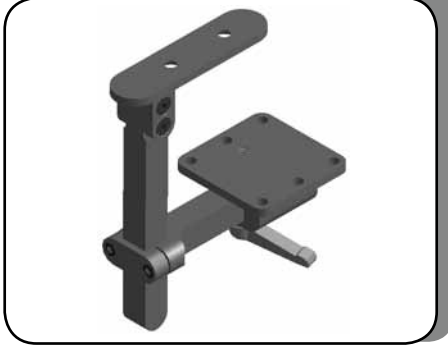
530



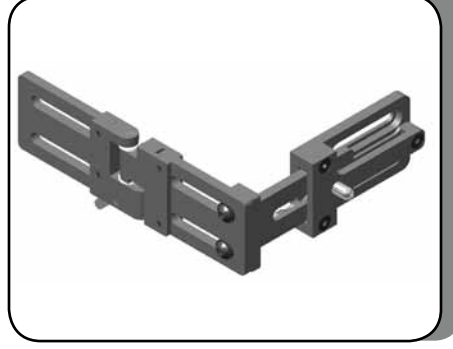
531



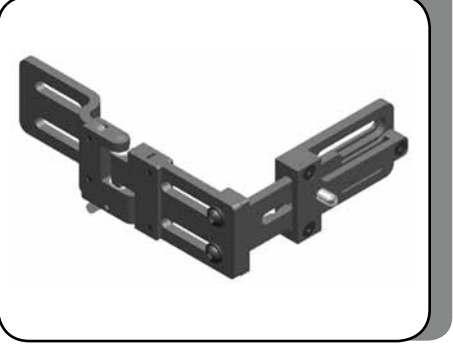
532



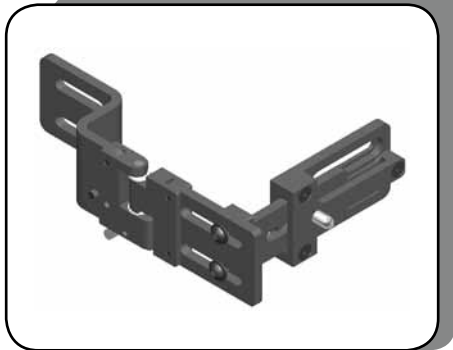
536



536A



536B



536C





# Seating & Positioning Hardware

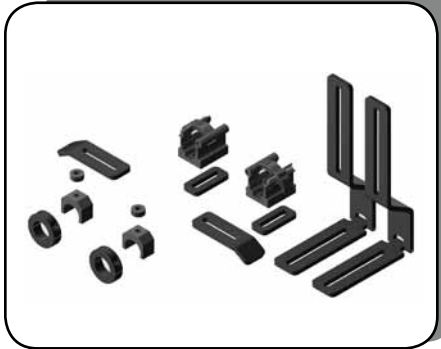


**Part No. Description: Size/Configuration:**

<b>520</b>	Glide Lock Hardware	n/a
<b>521</b>	Leg Cradle Mount Clamp w/Flat Bracket	n/a
	(Note: Same part as 550 - different application)	
<b>525</b>	Abductor - Vertical Release w/Child Top Plate	1-1/2" hole spacing
<b>526</b>	Abductor - Vertical Release w/Short Top Plate	1-1/4" long slots
<b>527</b>	Abductor - Vertical Release w/Long Top Plate	2" slots   1-1/2" long
<b>528</b>	Abductor - Vertical Release w/2 Hole Top Plate	1-1/2" hole spacing
<b>529</b>	Abductor - Horizontal Release w/Child Top Plate	1-1/2" hole spacing
<b>530</b>	Abductor - Horizontal Release w/Short Top Plate	1-1/4" long slots
<b>531</b>	Abductor - Horizontal Release w/Long Top Plate	2" slots   1-1/2" long
<b>532</b>	Abductor - Horizontal Release w/2 Hole Top Plate	1-1/2" hole spacing
<b>536</b>	Lateral with Depth Adjustable Growth Thoracic	
	Hardware - Swing Away - Lever L	n/a
<b>536A</b>	Lateral with Depth Adjustable Growth Thoracic	
	Hardware - Swing Away - Lever - 1" O/S	n/a
<b>536B</b>	Lateral with Depth Adjustable Growth Thoracic	
	Hardware - Swing Away - Lever - 2" O/S	n/a
<b>536C</b>	Lateral with Depth Adjustable Growth Thoracic	
	Hardware - Swing Away - Lever Extended	n/a



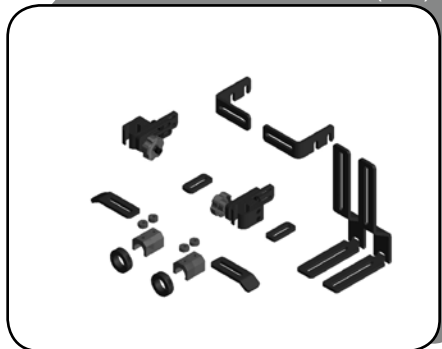
537 (Set)



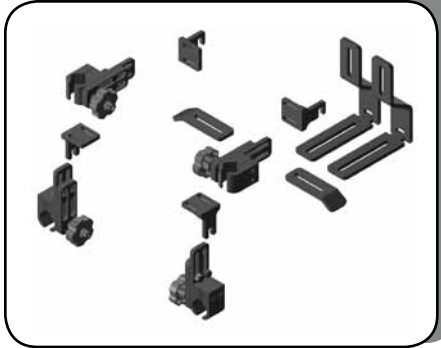
539 (Set)



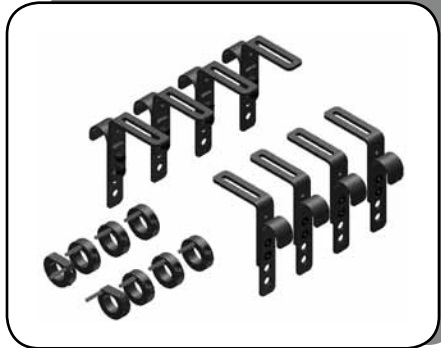
539A (Set)



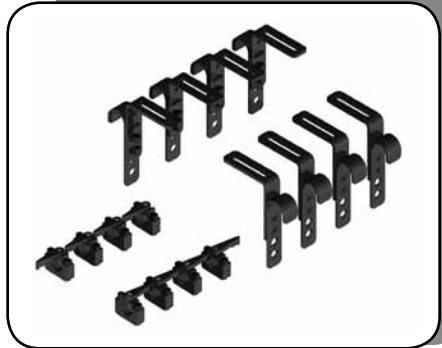
540 (Set)



541 (Set)



542 (Set)



543



544



549 • 549S



553



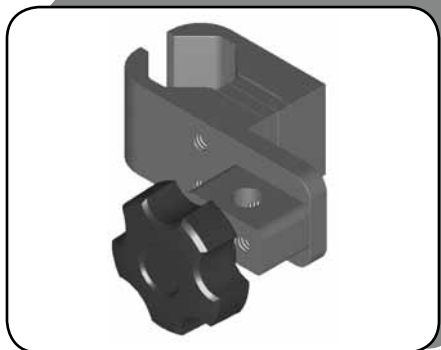
554



555 • 555S



556





# Seating & Positioning Hardware

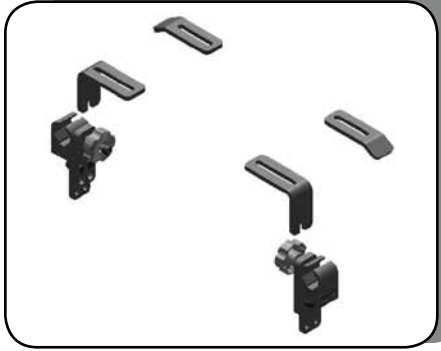


**Part No.      Description:      Size/Configuration:**

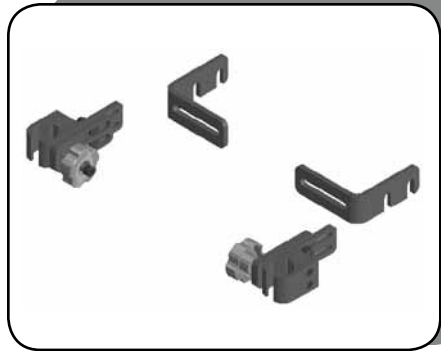
<b>537</b>	EZ-Lite 1 & Ez-Lite 2 - All Hardware (No Seat or Back)	n/a
<b>539</b>	EZ-Lite 1 & EE2 - All Hardware (No Seat or Back)	n/a
<b>539A</b>	EZ-Lite 1 & EE2 - Extended - All Hardware (No Seat or Back)	n/a
<b>540</b>	EE1 Micro & EE2 Micro - All Hardware (No Seat or Back)	n/a
<b>541</b>	101-4000 & 102-4000 - All Hardware (No Seat or Back)	n/a
<b>542</b>	101-7000 & 102-7000 - All Hardware (No Seat or Back)	n/a
<b>543</b>	Hide Away Abductor - Hardware Only	n/a
<b>544</b>	Abductor Knee Pad Hardware— Each	n/a
<b>549</b>	L Bracket For Easy Conforming Back - Aluminum	n/a
<b>549S</b>	L Bracket For Easy Conforming Back Stainless Steel (not shown)	n/a
<b>553</b>	Locking Drop Hook	n/a
<b>554</b>	Separate Mounting Hardware For Seat Cushion - Adjustable	n/a
<b>555</b>	J/L For Easy Conforming Back - Aluminum	n/a
<b>555S</b>	J/L For Easy Conforming Back - Stainless Steel (not shown)	n/a
<b>556</b>	Quick Release I.V. Pole Hardware	n/a



557



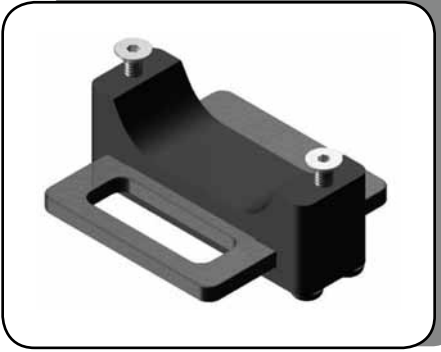
558



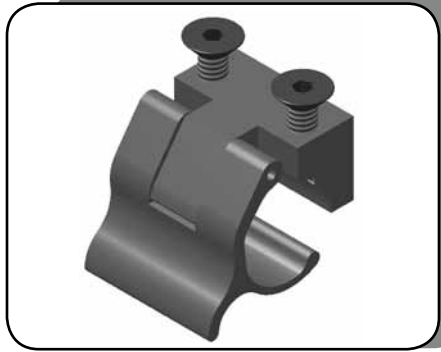
559



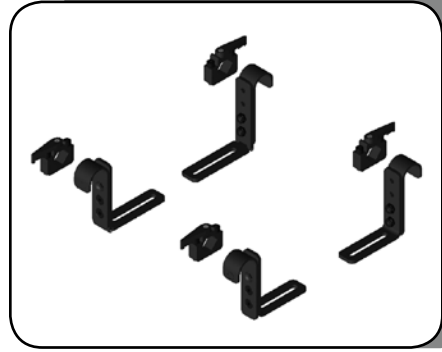
560



561



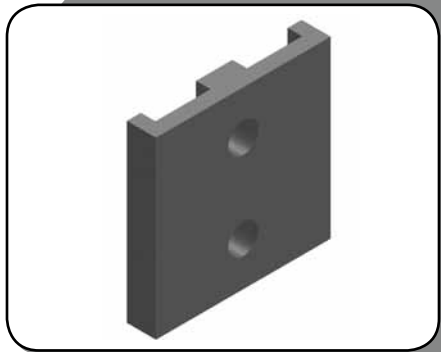
563



564



565



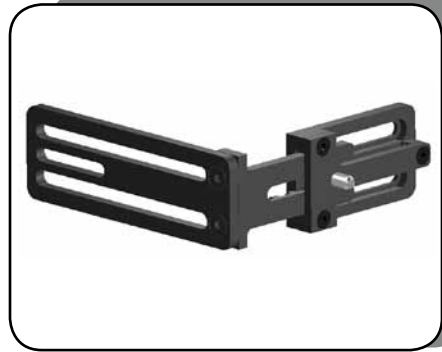
566



567



569 • 570 • 571







# Seating & Positioning Hardware



Part No.	Description:	Size/Configuration:
<b>557</b>	EE1 Hardware No 430	n/a
<b>558</b>	EE2 Hardware No 430	n/a
<b>559</b>	EZ Lite Tray - Adjustable Channel Bracket	n/a
<b>560</b>	Spring Loaded Tray Release For Padded Arms	n/a
<b>561</b>	Locking Hook Tray Release For 1" Tubular Arms	n/a
<b>563</b>	Quick Release Drop Hook For Vent - Complete Hardware	n/a
<b>564</b>	EE3R Hardware Only	n/a
<b>565</b>	Abductor Keeper Plate	n/a
<b>566</b>	Easy Clamp Seat & Back Mounting Hardware	n/a
<b>567</b>	Easy Clamp Seat & Back Mounting Hardware W/L Bracket	n/a
<b>569</b>	Lateral Depth Adjustable Growth Hardware Fixed	n/a
<b>570</b>	Lateral Depth Adjustable Growth Hardware Fixed - 1"	n/a
<b>571</b>	Lateral Depth Adjustable Growth Hardware Fixed - 2"	n/a



579A • 579B



580A • 580B



581A • 581B



582A • 582B





# Seating & Positioning Hardware



<b>Part No.</b>	<b>Description:</b>	<b>Size/Configuration:</b>
<b>579A</b>	Plastic Easy Clamp with L - Seat 7/8"	n/a
<b>579B</b>	Plastic Easy Clamp with L - Seat 1"	n/a
<b>580A</b>	Plastic Easy Clamp with L - Back 7/8"	n/a
<b>580B</b>	Plastic Easy Clamp with L - Back 1"	n/a
<b>581A</b>	Plastic Easy Clamp Only - 7/8"	n/a
<b>581B</b>	Plastic Easy Clamp Only - 1"	n/a
<b>582A</b>	Plastic Easy Clamp, L Only - 7/8"	n/a
<b>582B</b>	Plastic Easy Clamp, Long L for ECB	n/a



## Freedom Designs, Inc. Limited Warranty

**PLEASE NOTE: THE WARRANTY BELOW HAS BEEN DRAFTED TO COMPLY WITH U.S. FEDERAL LAW APPLICABLE TO PRODUCTS MANUFACTURED AFTER JULY 4, 1975. THIS WARRANTY IS EXTENDED ONLY TO THE ORIGINAL PURCHASER/USER WHO PURCHASES THIS PRODUCT WHEN NEW AND UNUSED DIRECTLY FROM FREEDOM DESIGNS OR AN AUTHORIZED DEALER OR DISTRIBUTOR. THIS WARRANTY GIVES SPECIFIC LEGAL RIGHTS AND YOU MAY ALSO HAVE OTHER LEGAL RIGHTS WHICH VARY FROM STATE TO STATE, OR COUNTRY TO COUNTRY.**

**Limited Warranty – USA:** All Freedom Designs' wheelchair frames, quick release axles and hardware are warranted against defects in material and workmanship for **five (5) years** from the date of purchase. All other manufactured and distributed parts and components (including frame components, axle plates, armrests and backrests) are warranted for **one (1) year** from said purchase date. **There is no warranty for tires, tubes, and push handle grips.** If within such warranty periods any product component eligible for coverage under this warranty shall be proven to be defective, Freedom Designs will, at its option, either replace or repair the product with new or refurbished product components, or will supply the original purchaser with replacement product components, which may be either new or refurbished. Freedom Designs' sole obligation and your exclusive remedy under this warranty shall be limited to such repair and/or replacement. This warranty does not include any labor or shipping charges incurred in replacement part installation or repair. Moreover, the warranty period of the repaired or replaced product component shall terminate with the termination of the warranty period for the original product component Freedom Designs' sole obligation and your exclusive remedy under this warranty shall be limited to such repair and/or replacement.

**Limited Warranty - International:** All Freedom Designs' wheelchair frames & quick release axles are warranted against defects in material and workmanship for **five (5) years** from the date of purchase. All other manufactured and distributed parts and components (including frame components, axle plates, armrests and backrests) are warranted for **one (1) year** from said purchase date. All hardware is warranted for **two (2) years** after the date of purchase. **There is no warranty for tires, tubes, and push handle grips.** If within such warranty periods any product component eligible for coverage under this warranty shall be proven to be defective, Freedom Designs will, at its option, either repair or replace the product with new or refurbished product components, or will supply the original purchaser with replacement product components, which may be either new or refurbished. Freedom Designs' sole obligation and your exclusive remedy under this warranty shall be limited to such repair and/or replacement. This warranty does not include any labor or shipping charges incurred in replacement part installation or repair. Moreover, the warranty period of the repaired or replaced product component shall terminate with the termination of the warranty period for the original product component. Freedom Designs' sole obligation and your exclusive remedy under this warranty shall be limited to such repair and/or replacement.

**Limitations & Exclusions – USA & International:** The foregoing limited warranties shall **not apply** to: Tires, tubes and push handle grips; Serial numbered products if the serial number has been removed or defaced; Products subjected to negligence, accident, improper operation, maintenance, or storage; Products modified without Freedom Designs' express written consent including, but not limited to, modification through the use of unauthorized parts or attachments; Products damaged by reason of repairs made to any component without the specific consent of Freedom Designs, or to products damaged by circumstances beyond Freedom Designs' control; Problems arising from normal wear or failure to adhere to these instructions; and with any such warranty eligibility evaluation to be solely determined by Freedom Designs;.

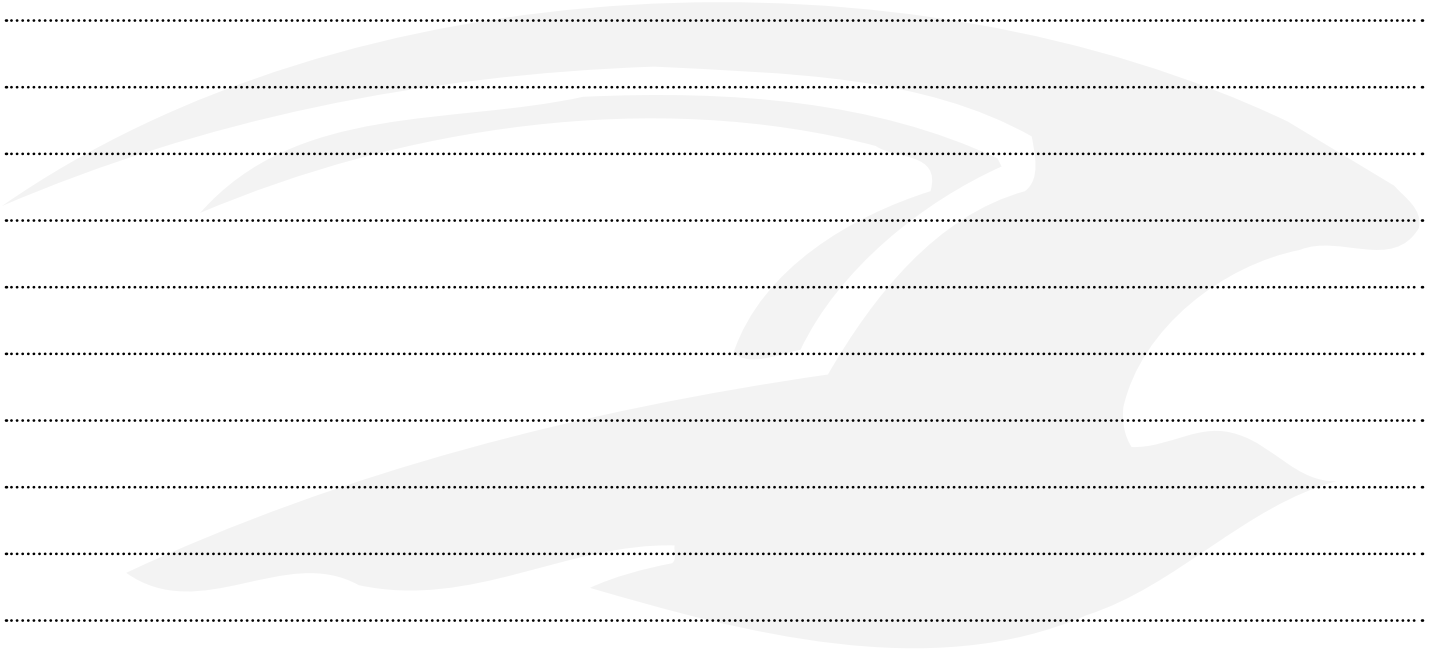
**THE FOREGOING LIMITED WARRANTIES ARE EXCLUSIVE AND IN LIEU OF ANY OTHER WARRANTIES WHATSOEVER, WHETHER EXPRESS OR IMPLIED, INCLUDING THE IMPLIED WARRANTIES OF MERCHANTABILITY AND FITNESS FOR A PARTICULAR PURPOSE, AND THE SOLE REMEDY FOR VIOLATIONS OF ANY WARRANTY WHATSOEVER SHALL BE LIMITED TO REPAIR OR REPLACEMENT OF THE DEFECTIVE PRODUCT PURSUANT TO THE TERMS CONTAINED HEREIN. THE APPLICATION OF ANY IMPLIED WARRANTY WHATSOEVER SHALL NOT EXTEND BEYOND THE DURATION OF THE EXPRESS WARRANTY PROVIDED HEREIN. FREEDOM DESIGNS SHALL NOT BE LIABLE FOR ANY CONSEQUENTIAL OR INCIDENTAL DAMAGES WHATSOEVER. THESE WARRANTIES SHALL BE EXTENDED TO COMPLY WITH STATE PROVINCIAL LAWS AND REQUIREMENTS.**

**Returns:** An authorization for return must be acquired by an established Freedom Designs, Inc. dealer/distributor before Freedom Designs will accept returned items. The dealer must return items to Freedom Designs, 2241 N. Madera Rd, Simi Valley, CA 93065 USA with freight pre-paid and fully insured with the R.A. # issued by customer service marked on the outside of the box. All returns must be received within 45 days of issuance of the R.A. #. Returns are subject to examination at the discretion of Freedom Designs and may be subject to a 25% restocking fee. Custom fabricated products are non-returnable.

February 2010

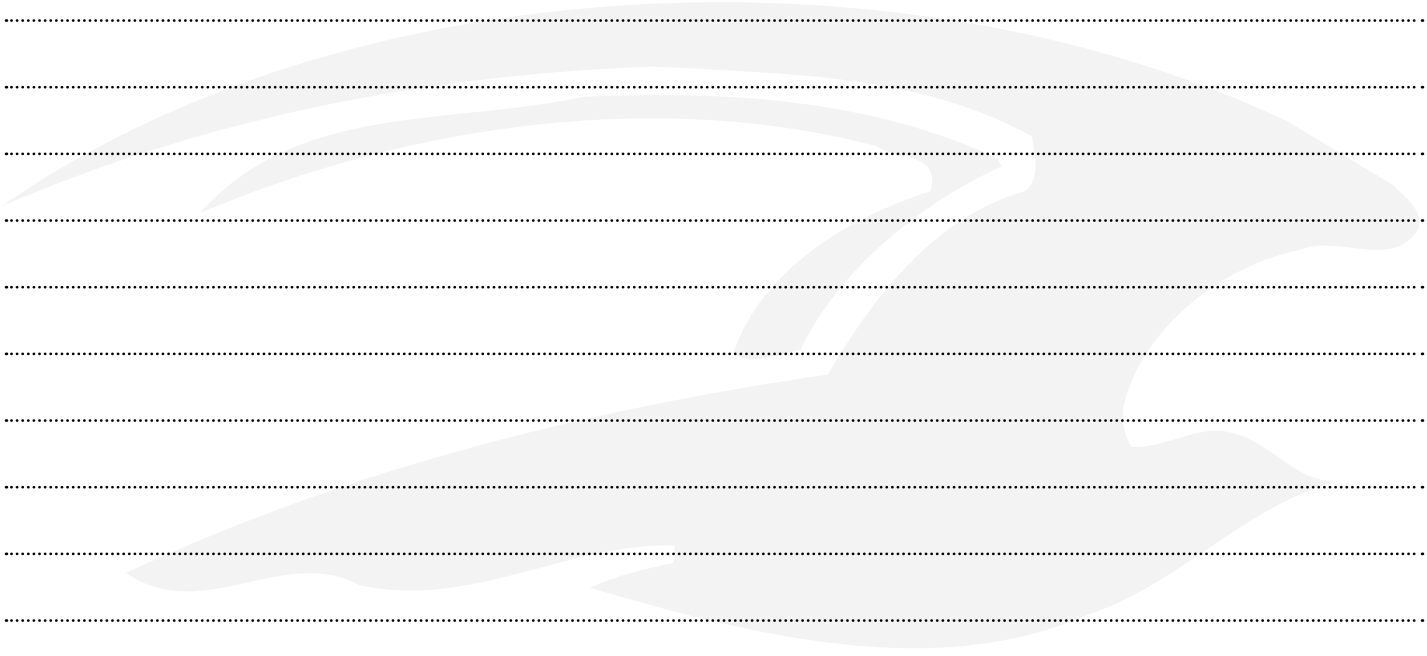
# Notes

A series of horizontal dotted lines for writing notes, spanning the width of the page.



# Notes

A series of horizontal dotted lines for writing notes, spanning the width of the page below the header.



# Notes

A series of horizontal dotted lines for writing notes, with a large, faint, stylized graphic of a hand or wing shape overlaid in the center.

**Making more than parts...  
making a difference.**



**Freedom Designs, Inc.**

2241 N. Madera Road • Simi Valley, CA 93065 USA

Phone: 800-331-8551 • Fax: 888-582-1509

[www.freedomdesigns.com](http://www.freedomdesigns.com)

