

PARTS & SERVICE MANUAL

Spring 2013

NXT™

Generation NEXT



Pediatric & Adult

Folding, Rigid & Specialized Tilt-In-Space Wheelchair



Our kids are our passion.™

FREEDOM DESIGNS, INC.

2241 N. Madera Rd. Simi Valley, CA 93065 • (800) 331-8551 • FAX (888) 582-1509
www.freedomdesigns.com

CE WPCNXT 62013



Corporate office & manufacturing facility - Simi Valley, CA USA

Freedom Designs, Inc., a member of the Helixx Group, has designed and manufactured specialized wheelchair frames, custom seating and positioning systems, hardware, and accessories for over 30 years. Utilizing an in-house machine shop and highly specialized staff, Freedom Designs is able to offer functional, durable, and cost effective products – all manufactured in the U.S.A.

We are proud of our many past and on-going industry contributions. We are actively involved with seating / positioning and wheelchair code development for funding agencies. We have developed and promoted technical seminars for providers and therapists in need of continuing education, product knowledge and CEU credits for nearly 20 years.

We lead by example having brought to market the Spectrum, the first folding tilt-in-space wheelchair; the Tripod, the first mid-wheel drive manual wheelchair; the CGX, the first cable-free, rigid tilt-in-space wheelchair; and NOW the NXT, the lightest folding and lightest rigid tilt-in-space wheelchair! Our mobility bases are not just designed for the child riding in it, but also for the person moving it.

At Freedom, we set the bar high and have never been one to follow. Our Customer Service representatives are professional, knowledgeable and caring experts with many years of building relationships within the industry with untiring service. Our entire Freedom Team is focused on the future. We will continue to bring innovative, high quality products to a global market that starts with kids because at Freedom Designs, "Our kids are our passion".

The Freedom Team wants to thank you for your interest and for giving us the opportunity to serve your needs.

OUR QUALITY PLEDGE:

Freedom Designs makes the following commitments to our valued customers:

- √ *To ensure order accuracy by thorough quality control and attention to detail.*
- √ *To deliver our products at the highest level of quality as well as maintaining and providing the highest professional standard.*
- √ *To provide excellent customer service by listening and assisting in a timely and thorough manner.*
- √ *To continue improving operations, providing for on-going growth and increased efficiencies for us and our customers.*

If you require items not found in this catalog, please contact us as we have many other products available. For price lists, order forms, other information, please call customer service at 800-331-8551 or visit our website at www.freedomdesigns.com

Terms & Conditions

Dealer Accounts & Terms

A Freedom Designs, Inc. dealer application must be completed and approved before an account can be established. Freedom Designs standard terms for open accounts are net 30 days, unless other terms are agreed upon. Completed orders will not be shipped and new orders will not be processed on accounts with outstanding balances over 60 days.

Ordering

Orders may be placed over the telephone, by fax, mailed or e-mailed into the Customer Service Department. Measurement forms are provided in the catalog to assist in ordering. Phone orders must be followed up with a hard copy confirming P.O. For any questions, please call Customer Service.

Published Prices

Prices are subject to change without prior notice.

Price Quotes

If requested, Customer Service will provide a written quote for products. Written quotes will be valid for 60 days.

Shipping

All Freedom Designs, Inc. products are shipped ground, FOB Simi Valley. Freight charges on factory installs may apply on wheelchairs not manufactured by Freedom Designs, Inc. For requests of special handling or exceptional freight, up-charges will be billed.

Returns

All returns must have a Return Authorization Number (R.A.#) on the box and must be shipped freight pre-paid. Product received without a valid R.A. # will be refused. The R.A. # must be obtained from the Customer Service Department. All returns MUST be received in the factory within 45 days of issuance of the R.A. #. Returns are subject to examination at the discretion of Freedom Designs, Inc. Returns may be subject to a 25% restocking fee. Custom fabricated products may not be returned.

Cancellations

Prior to canceling an order, a valid cancellation number must be obtained from Freedom Designs Customer Service Department. Restocking charges will occur on orders in progress and will be assessed based on the stage of completion. Custom fabricated products will be charged at 100%.

Errors & Omissions

All Freedom Designs products are quality controlled prior to shipping. However, should there be a problem, it must be reported to Customer Service within three weeks of receipt of order for resolution.

Liability

Freedom Designs, Inc. is not responsible for any product used incorrectly or with the wrong application. We recommend that positioning products be used in conjunction with a team of professionals that have been involved with the evaluation of the client. Freedom Designs, Inc. is responsible for any product that is defective in manufacturing or that was made in error by Freedom Designs, Inc.

Hours of Business

| | |
|--------------------------|---|
| <i>Customer Service:</i> | <i>Monday through Friday 6:00 a.m. to 5:00 p.m. PST</i> |
| <i>Message Center:</i> | <i>Available when factory is closed</i> |
| <i>FAX Line:</i> | <i>Available 24 hours a day, 7 days a week</i> |

Table of Contents

| | Page |
|--|--------------|
| Terms & Conditions, Warranty, Glossary of Abbreviations | II-IX |
| Accessories | 1 |
| Anti-Tippers | 3 |
| Armrests | 5-22 |
| Flip Back | 5 |
| Flip Back, Locking | 7 |
| Flip Back, Telescoping | 9 |
| Flip Back, Telescoping, Locking | 11 |
| Adjustable Height, Tall | 13 |
| Adjustable Height, Short | 16 |
| Dual Post Fixed Height Removable | 19 |
| Dual Post Flip Back Adjustable Height | 21 |
| Axles | 23 |
| Back Canes & Components | 25-34 |
| Standard & Ergo Back Canes | 25 |
| Dynamic Rocker Back | 27-32 |
| Stroller & Push Handle Extensions | 33 |
| Caster Components | 35-40 |
| Caster Forks | 35 |
| Caster Fork Mounting | 37 |
| Caster Wheels | 38-40 |
| Cross Braces - Folding Frames | 41-44 |
| Cross Bars - Rigid Frames | 45 |
| Footrests | 47-58 |
| Composite Flip-up | 47 |
| Angle Adjustable Flip-up | 49 |
| MAPS (Multi Axis Positioning System) | 51 |
| Footboards - Angle Adjustable, Removable | 53 |
| Legrest Extensions | 55 |
| High Mount Bracket | 57 |
| Frames | 59-65 |
| Base and Seat Frames | 59 |
| LEAF & SRO Seat Frames | 62 |
| NXT Backpost Depth Setting Matrix | 64 |
| Base Frame Growth Kits | 65 |

Table of Contents (Continued)

| | |
|---|--------------------|
| Footrest Hangers | 67-89 |
| Hanger Retrofit Kit - Latch | 67 |
| Latch, Swing-In, Swing-Out Hangers | 69 |
| Hanger Retrofit Kit - Pop-up | 71 |
| Pop-Up, Swing Away Hangers | 73 |
| Pop-Up, Elevating Legrest | 75 |
| Super Contracture Legrest | 78 |
| 2D Dynamic Legrest | 81 |
| 3D Dynamic Legrest | 85 |
| Seating | 90-91 |
| Seat pans & Hardware | 90 |
| Tilt Mechanisms, Cables & Cable Releases | 92-97 |
| Foot Activated Tilt | 92 |
| Single Hand Activated Tilt | 94 |
| Dual Hand Activated Tilt | 96 |
| Transport Option - Brackets & Fasteners | 98-99 |
| Wheel Locks | 100-110 |
| Push To Lock Wheel Locks | 100 |
| Pull To Lock Wheel Locks | 103 |
| Foot Activated Drum Wheel Locks | 106 |
| Hand Activated Drum Brake & Wheel Locks | 109 |
| Wheels | 111-139 |
| 12" Mag Wheel Assemblies & Components | 111 |
| 16" Mag Wheel Assemblies & Components | 113 |
| 18" Mag Wheel Assemblies & Components | 116 |
| 20" Mag Wheel Assemblies & Components | 119 |
| 22" Mag Wheel Assemblies & Components | 123 |
| 24" Mag Wheel Assemblies & Components | 127 |
| 20" Spoke Wheel Assemblies & Components | 131 |
| 22" Spoke Wheel Assemblies & Components | 134 |
| 24" Spoke Wheel Assemblies & Components | 137 |
| Appendix - Technical Specifications | 140-142 |
| Index - Numerical Part Number Index | 143-170 |

Warranty

Freedom Designs, Inc. Limited Warranty

PLEASE NOTE: THE WARRANTY BELOW HAS BEEN DRAFTED TO COMPLY WITH FEDERAL LAW APPLICABLE TO PRODUCTS MANUFACTURED AFTER JULY 4, 1975. THIS WARRANTY IS EXTENDED ONLY TO THE ORIGINAL PURCHASER/USER WHO PURCHASES THIS PRODUCT WHEN NEW AND UNUSED DIRECTLY FROM FREEDOM DESIGNS OR AN AUTHORIZED DEALER OR DISTRIBUTOR. THIS WARRANTY GIVES SPECIFIC LEGAL RIGHTS AND YOU MAY ALSO HAVE OTHER LEGAL RIGHTS WHICH VARY FROM STATE TO STATE.

Limited Warranty – USA: All Freedom Designs' wheelchair frames, quick release axles and hardware are warranted against defects in material and workmanship for **five (5) years** from the date of purchase. All other manufactured and distributed parts and components (including frame components, seating components, axle plates, armrests and backrests) are warranted for **one (1) year** from said purchase date. **There is no warranty for tires, tubes, armrest pads and push handle grips.** If within such warranty periods any product component eligible for coverage under this warranty shall be proven to be defective, Freedom Designs will, at its option, either replace or repair the product, or will supply the original purchaser with replacement parts. Freedom Designs' sole obligation and your exclusive remedy under this warranty shall be limited to such repair and/or replacement of defective parts and shall not apply to problems arising from normal wear and tear or failure to adhere to the product instructions. This warranty does not include any labor or shipping charges incurred in replacement part installation or repair. Freedom Designs' sole obligation and your exclusive remedy under this warranty shall be limited to such repair and/or replacement.

Limited Warranty - International: All Freedom Designs' wheelchair frames & quick release axles are warranted against defects in material and workmanship for **five (5) years** from the date of purchase. All other manufactured and distributed parts and components (including frame components, axle plates, armrests and backrests) are warranted for one (1) year from said purchase date. All hardware is warranted for **two (2) years** after the date of purchase to be free from defects and shall not apply to problems arising from normal wear and tear or failure to adhere to product instructions. **There is no warranty for tires, tubes, armrest pads and push handle grips.** If within such warranty periods any product component eligible for coverage under this warranty shall be proven to be defective, Freedom Designs will, at its option, either replace or repair the product, or will supply the customer with replacement parts. Freedom Designs' sole obligation and your exclusive remedy under this warranty shall be limited to such repair and/or replacement. This warranty does not include any labor or shipping charges incurred in replacement part installation or repair. Freedom Designs' sole obligation and your exclusive remedy under this warranty shall be limited to such repair and/or replacement.

Limitations & Exclusions – USA & International: The foregoing limited warranties **shall not apply to:** Tires, tubes armrest pads and push handle grips; Serial numbered products if the serial number has been removed or defaced; Products subjected to negligence, accident, improper operation, maintenance, or storage; Products modified without Freedom Designs' express written consent including, but not limited to, modification through the use of unauthorized parts or attachments; Products damaged by reason of repairs made to any component without the specific consent of Freedom Designs, or to products damaged by circumstances beyond Freedom Designs' control; Problems arising from normal wear or failure to adhere to these instructions; and with any such warranty eligibility evaluation to be solely determined by Freedom Designs;

THE FOREGOING LIMITED WARRANTIES ARE EXCLUSIVE AND IN LIEU OF ANY OTHER WARRANTIES WHATSOEVER, WHETHER EXPRESS OR IMPLIED, INCLUDING THE IMPLIED WARRANTIES OF MERCHANTABILITY AND FITNESS FOR A PARTICULAR PURPOSE, AND THE SOLE REMEDY FOR VIOLATIONS OF ANY WARRANTY WHATSOEVER SHALL BE LIMITED TO REPAIR OR REPLACEMENT OF THE DEFECTIVE PRODUCT PURSUANT TO THE TERMS CONTAINED HEREIN. THE APPLICATION OF ANY IMPLIED WARRANTY WHATSOEVER SHALL NOT EXTEND BEYOND THE DURATION OF THE EXPRESS WARRANTY PROVIDED HEREIN. FREEDOM DESIGNS SHALL NOT BE LIABLE FOR ANY CONSEQUENTIAL OR INCIDENTAL DAMAGES WHATSOEVER. THESE WARRANTIES SHALL BE EXTENDED TO COMPLY WITH STATE PROVINCIAL LAWS AND REQUIREMENTS.

Returns: An authorization for return must be acquired by an established Freedom Designs, Inc. dealer/distributor before Freedom Designs will accept returned items. The dealer must return items to Freedom Designs, 2241 N. Madera Rd., Simi Valley, CA 93065 USA with freight pre-paid and fully insured with the R.A. # issued by customer service marked on the outside of the box. All returns must be received within 45 days of issuance of the R.A. #. Returns are subject to examination at the discretion of Freedom Designs and may be subject to a 25% restocking fee. Custom fabricated products are non-returnable.

Glossary of Abbreviations

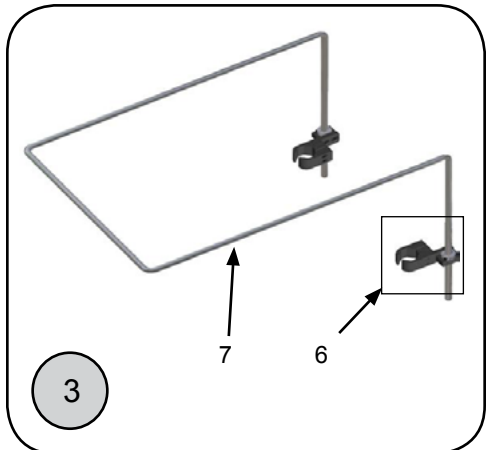
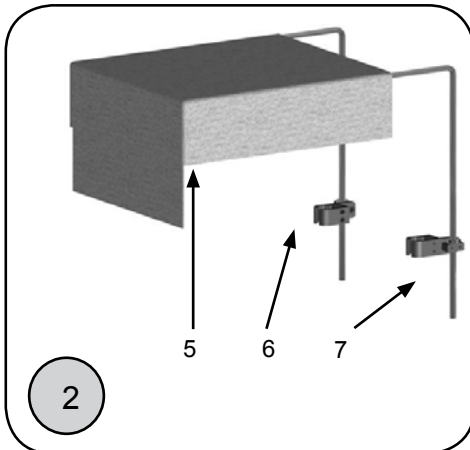
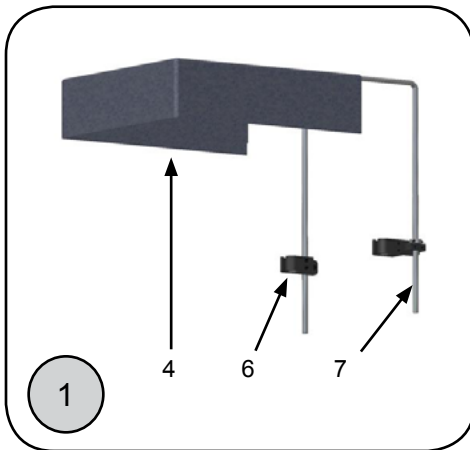
| | | | | | |
|-------|------------------------------|--------|---------------------|-------|-----------------|
| A/T | ANTI-THRUST | CS | CUSTOM SEAT | GNRC | GENERIC |
| ABD | ABDUCTOR | C-S | COUNTERSUNK | GRTH | GROWTH |
| ACTV | ACTIVATED | CSTR | CASTER | GZ | GIZMO |
| ADD | ADDUCTOR | CTD | COATED | H | HIGH (HEIGHT) |
| ADJ | ADJUSTABLE | CTR | CONTOUR | H | HOLE |
| ADLT | ADULT | CVR | COVER | H/D | HEAVY DUTY |
| ADPT | ADAPTER | CVRS | COVERS | H/G | HIP GUIDE |
| AGZ | GIZMO SE ADULT | CYL | CYLINDER | H/L | HAND LOCK |
| ALUM | ALUMINUM | D | DEEP (DEPTH) | H/L | HUB LOCK |
| AM | AIR MESH | D/L | DRUM LOCK | H/R | HEADREST |
| AMH | ADJUSTABLE MOUNTING HARDWARE | DBL | DOUBLE | HD | HEAD |
| ANG | ANGLE | DEG | DEGREE | HDRST | HEADREST |
| ANO | ANODIZED | DL | DARLEX | HDWE | HARDWARE |
| ANT | ANTERIOR | DL | DESK LENGTH | HDWR | HARDWARE |
| ANTI | ANTI-THRUST | DL | DRUM LOCK | HEX | HEXAGON |
| ASSY | ASSEMBLY | DRB | DYNAMIC ROCKER BACK | HGT | HEIGHT |
| ASYM | ASYMMETRICAL | DSGN | DESIGN | HK | HOOK |
| AT | ANTI-TIP | DT | DARTEX | HL | HEEL LOOPS |
| ATT | ATTACHMENT | DYN | DYNAMIC | HM | HIGH MOUNT |
| BCK | BACK | EA | EACH | HND | HAND |
| BH | BUTTON HEAD | ELR | ELEVATING LEG REST | HNDL | HANDLE |
| BHCS | BUTTON HEAD CAP SCREW | EXT | EXTENSION | HNGD | HINGED |
| BKL | BUCKLE | EXTD | EXTENDED | HNGR | HANGER |
| BKPST | BACKPOST | EXTND | EXTEND | HORIZ | HORIZONTAL |
| BKRST | BACKREST | F | FOLDING FRAME | HR | HANDRIM |
| BLK | BLACK | F/BACK | FLIP-BACK | HRNSS | HARNESS |
| BLT | BUILT | F/L | FOOT LOCK | HT | HEIGHT |
| BRD | BOARD | F/REST | FOOTREST | ID | INNER DIMENSION |
| BRK | BRAKE | F/UP | FLIP-UP | INBRD | INBOARD |
| BRKT | BRACKET | FD2 | FREEDOM 2 | INSRT | INSERT |
| BRNG | BEARING | FD2K | FREEDOM 2 KIDS | L | LEFT |
| BSHNG | BUSHING | FH | FLAT-HEAD | L | LONG (LENGTH) |
| BTTN | BUTTON | FL | FULL LENGTH | L | LYCRA |
| BWD | BACKWARD | FL FT | FLIP-UP FOOTREST | L/O | LIFT OFF |
| C | CORDURA | FLD | FOLDING | LAT | LATERAL |
| C/S | CAP SCREW | FLP | FLIP | LATP | TRIPOD ADULT |
| CB | CUSTOM BACK | FLRD | FLARED | LCK | LOCK |
| CLMP | CLAMP | FRNT | FRONT | LEV | LEVER |
| CLR | CLEAR | FT | FOOT | LFT | LEFT |
| CMPST | COMPOSITE | FT PLT | FOOT PLATE | LH | LEFT-HAND |
| CNTR | CENTER | FTRST | FOOTREST | LK | LOCK |
| COMP | COMPLETE | FWD | FORWARD | LNG | LONG |
| CONF | CONFORMING | FXT | FIXED | LO | LIFT OFF |
| CRS | CROSS | FXTD | FIXED | LP | LOOP |

Glossary of Abbreviations (continued)

| | | | | | |
|--------|--------------------|----------|-----------------|--------|---------------|
| LPS | LOOPS | PRTL | PARTIAL | ST | SEAT |
| LPTP | TRIPOD PEDIATRIC | PSH | PUSH | STD | STANDARD |
| LRG | LARGE | PSTR | POSTERIOR | STL | STYLE |
| LT | LONG TAB | PTTRN | PATTERN | STRLR | STROLLER |
| LTRL | LATERAL | PWR | POWER | STRT | STRAIGHT |
| LVR | LEVER | Q/R | QUICK RELEASE | SYS | SYSTEM |
| LWR | LOWER | R | RIGHT | T | TAB |
| M/L | MEDIUM / LARGE | RCLNR | RECLINER | TBE | TUBE |
| M/S | MACHINE SCREW | REC | RECEIVER | T/S | TRUNK SUPPORT |
| MACH | MACHINE | REG | REGULAR | THN | THIN |
| MDL | MEDIAL | REL | RELEASE | THOR | THORACIC |
| MECH | MECHANICAL | REM | REMOVABLE | THRD | THREADED |
| MED | MEDIUM | REV | REVERSE | TL | TALL |
| MNT | MOUNT | RGD | RIGID | TLT | TILT |
| MNTG | MOUNTING | RGT | RIGHT | TPRD | TAPERED |
| MONO | MONOGRAM | RH | RIGHT-HAND | TR | TRACK |
| N | NYLON | RNUT(S) | RIVNUT(S) | TS | TILT-IN-SPACE |
| NAUG | NAUGAHYDE | RR | REAR | UNTHRD | UNTHREADED |
| NF | NON-FOLDING | RT | RIGHT | UPH | UPHOLSTERY |
| NR | NON-RECESSED | S/A | SWING-AWAY | UPPR | UPPER |
| NRW | NARROW | S/F | SIDE FRAME | VERT | VERTICAL |
| NTRL | NATURAL (FIT) | S/H | SHOEHOLDER | W | WIDE (WIDTH) |
| O/S | OFFSET | S/M | SMALL / MEDIUM | W/ | WITH |
| OD | OUTER DIMENSION | S/TAP | SELF TAPPING | W/L | WHEEL LOCK |
| OS | OLD STYLE | S/W | SUMMER / WINTER | W/O | WITHOUT |
| OUTBRD | OUTBOARD | SCW | SCREW | WD | WIDE |
| P/L | PIN LOCK | SDLE | SADDLE | WHL | WHEEL |
| PC | POWDERCOATED | SHLDR | SHOULDER | WLDMNT | WELDMENT |
| PCTD | POWDERCOATED | SHT | SHORT | XL | EXTRA LARGE |
| PD | PAD | SLD | SOLID | XSM | EXTRA SMALL |
| PDS | PADS | SLNG | SLING | XWD | EXTRA WIDE |
| PED | PEDIATRIC | SLP | SLIP | Z | ZINC |
| PGZ | GIZMO SE PEDIATRIC | SLTD | SLOTTED | ZC | ZINC COATED |
| PH | PUSH HANDLE | SLV | SLEEVE | | |
| PHIL | PHILLIPS | SM | SMALL | | |
| PLL | PULL | SNGL | SINGLE | | |
| PLST | PLASTIC | SOC | SOCKET | | |
| PLT | PLATE | SP3 | SPECTRUM 3 | | |
| PLY | PLYWOOD | SP3M | SPECTRUM 3 MINI | | |
| PNEU | PNEUMATIC | SPCR | SPACER | | |
| PNT | PAINT | SPEC CLR | SPECIFY COLOR | | |
| PNTD | PAINTED | SPK | SPOKE | | |
| POLY | POLYURETHANE | SPRT | SUPPORT | | |
| PR | PAIR | SS | STAINLESS STEEL | | |



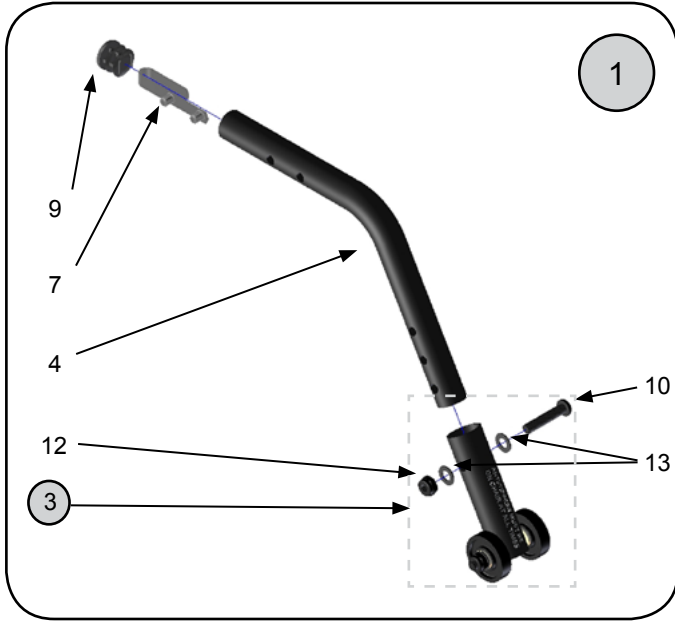
Accessories



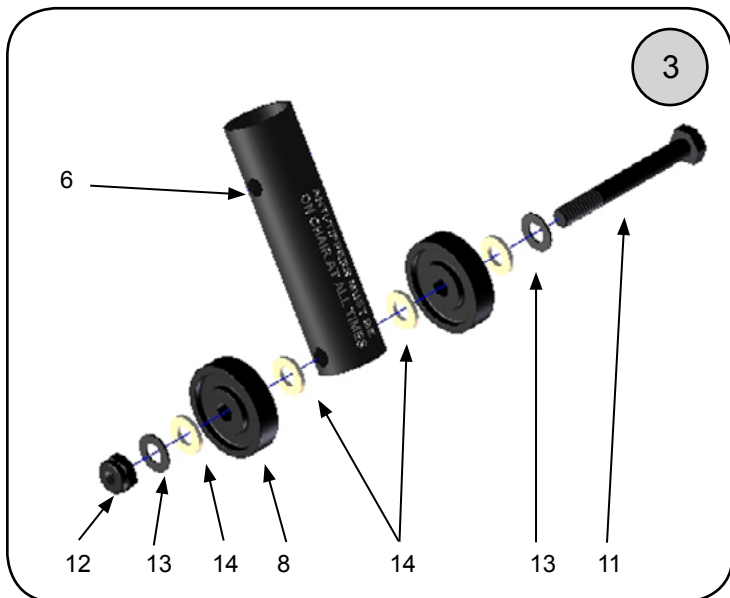
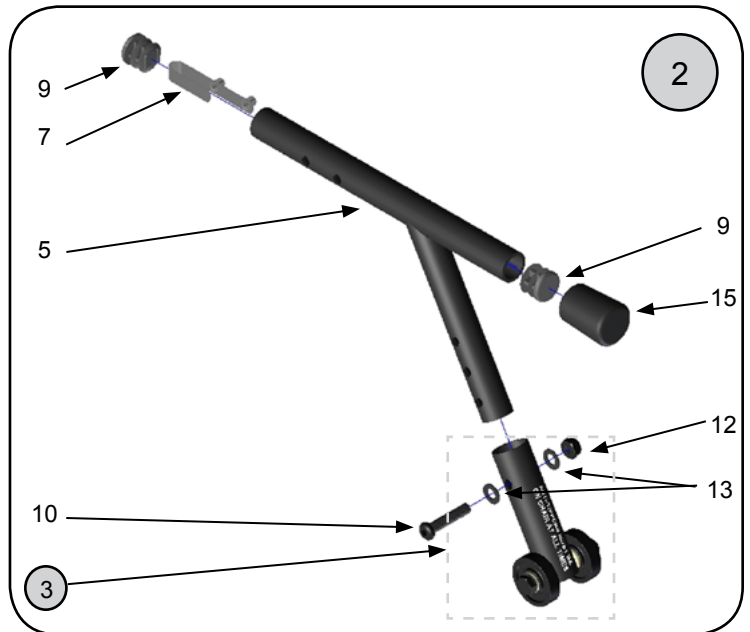
Accessories (cont.)

| POS. | ITEM # | DESCRIPTION | QTY | ASSY | NOTES: |
|------|----------|-----------------------------|-----|------|-----------------------|
| ① | 10712 | CANOPY ASSY STD | 1 | 1 | INCLUDES POS. 4, 6, 7 |
| ② | 10714 | CANOPY ASSY W/ VISOR | 1 | 1 | INCLUDES POS. 5, 6, 7 |
| ③ | 10715 | CANOPY FRAME & MTG HDWE | 1 | 1 | INCLUDES POS. 6,7 |
| 4 | 10710 | CANOPY FABRIC ONLY | 1 | 1 | SPECIFY UPHOLSTERY |
| 5 | 10713 | CANOPY FABRIC ONLY W/ VISOR | 1 | 1 | SPECIFY UPHOLSTERY |
| 6 | 10716-1 | CANOPY MTG HDWE EACH | 1 | 1 | |
| 6 | 10716-2 | CANOPY MTG HDWE PAIR | 1 | 1 | |
| 7 | 10717 | CANOPY FRAME ONLY | 1 | 1 | |
| ⑧ | SFDI-9HP | HANGER PADS - NEOPRENE | 2 | 1 | BLACK NEOPRENE |
| ⑨ | 10911-1 | FRAME PADS - NEOPRENE | 1 | 2 | BLACK NEOPRENE |
| ⑨ | 10911-2 | FRAME PADS - NEOPRENE | 2 | 1 | BLACK NEOPRENE |
| ⑩ | FBP | BACKPACK | 1 | 1 | BLACK NYLON |
| ⑪ | FMNP | MEDICAL NECESSITIES POUCH | 1 | 1 | BLACK NYLON |

Anti-tips—Standard & Curb Assist



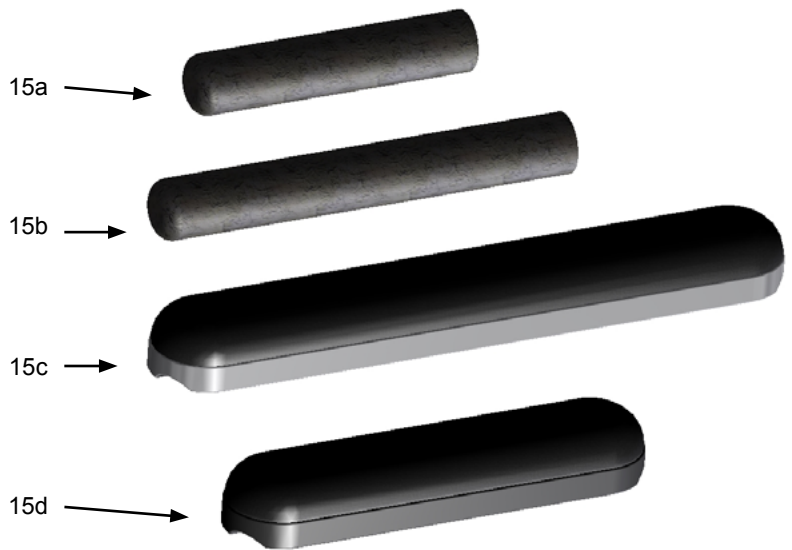
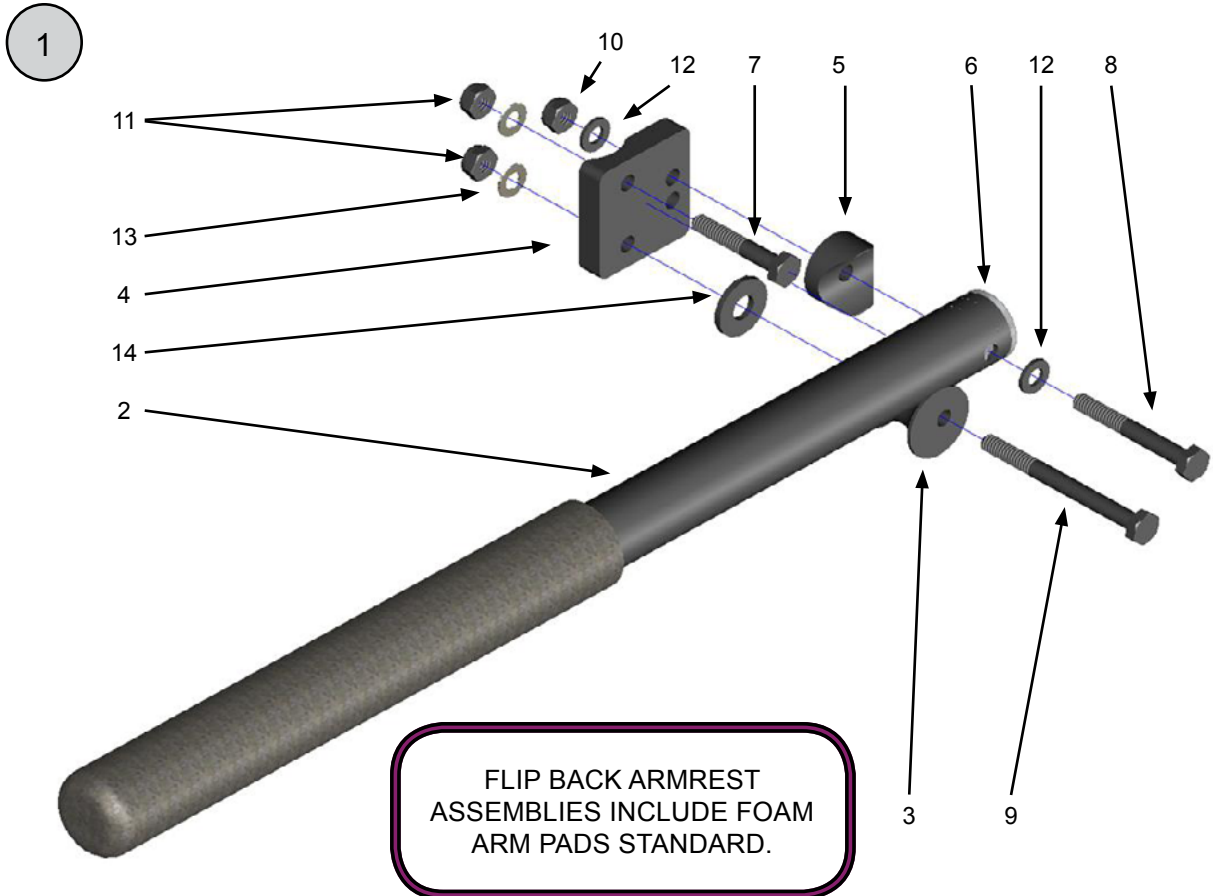
CURB ASSIST ANTI-TIP ASSEMBLY PAIRS INCLUDE 1 EACH STANDARD ANTI-TIP (POS. 1) AND 1 EACH CURB ASSIST ANTI-TIP. (POS. 2)



Anti-tips—Standard & Curb Assist (cont.)

| POS. | ITEM # | DESCRIPTION | QTY | ASSY | NOTES: |
|------|---------|--------------------------------|-----|------|----------------------------|
| ① | 18055-2 | NXT ANTI-TIP ASSY STD PR | 2 | 1 | INCLUDES 2 EACH POS. 1 |
| ① | 18055-L | NXT ANTI-TIP ASSY STD L | 1 | 1 | INCLUDES 1 EACH POS. 1 |
| ① | 18055-R | NXT ANTI-TIP ASSY STD R | 1 | 1 | INCLUDES 1 EACH POS. 1 |
| ② | 18050-2 | NXT ANTI-TIP/CURB ASST ASSY PR | 2 | 1 | INCLUDES 1 EACH POS. 1 & 2 |
| ② | 18050-L | NXT ANTI-TIP/CURB ASST ASSY L | 1 | 1 | INCLUDES 1 EACH POS. 2 |
| ② | 18050-R | NXT ANTI-TIP/CURB ASST ASSY R | 1 | 1 | INCLUDES 1 EACH POS. 2 |
| ③ | 8001-2 | ANTI TIP ROLLER ASSY L | 1 | 1 | INCLUDES POS. 6, 8, 11-14 |
| ③ | 8001-L | ANTI TIP ROLLER ASSY R | 1 | 1 | INCLUDES POS. 6, 8, 11-14 |
| ③ | 8001-R | ANTI-TIP ROLLER ASSY PR | 2 | 1 | INCLUDES POS. 6, 8, 11-14 |
| 4 | 18051-1 | NXT ANTI TIP LEVER - STD | 1 | 1 | |
| 5 | 18052-1 | NXT ANTI TIP TUBE CURB ASSIST | 1 | 1 | |
| 6 | 8007 | ANTI TIP ADJUSTMENT SLEEVE | 1 | 2 | |
| 7 | 17004 | DUAL SNAP BUTTON | 1 | 2 | |
| 8 | 9009A-2 | ANTI-TIP WHEEL | 2 | 2 | |
| 8 | 9009A-4 | ANTI-TIP WHEEL | 4 | 2 | |
| 9 | 3099-4 | TUBE PLUG 3/4" | 4 | 2 | |
| 10 | 9034-4 | SCREW 1/4-20 X 1-1/4" BHCS | 4 | 1 | |
| 11 | 9023-4 | SCREW 1/4-20 X 2" HEX HEAD | 4 | 1 | |
| 12 | 9073-4 | LOCKNUT 1/4-20 NYLON-THIN | 4 | 2 | |
| 13 | 9074-4 | WASHER 1/4" FLAT 1/2" OD | 4 | 2 | |
| 14 | 9010-4 | WASHER 1/4" NYLON 3/8" OD | 4 | 4 | |
| 15 | 5016B | FOAM GRIP .75" ID X 2" | 1 | 1 | |

Armrests—Flip Back



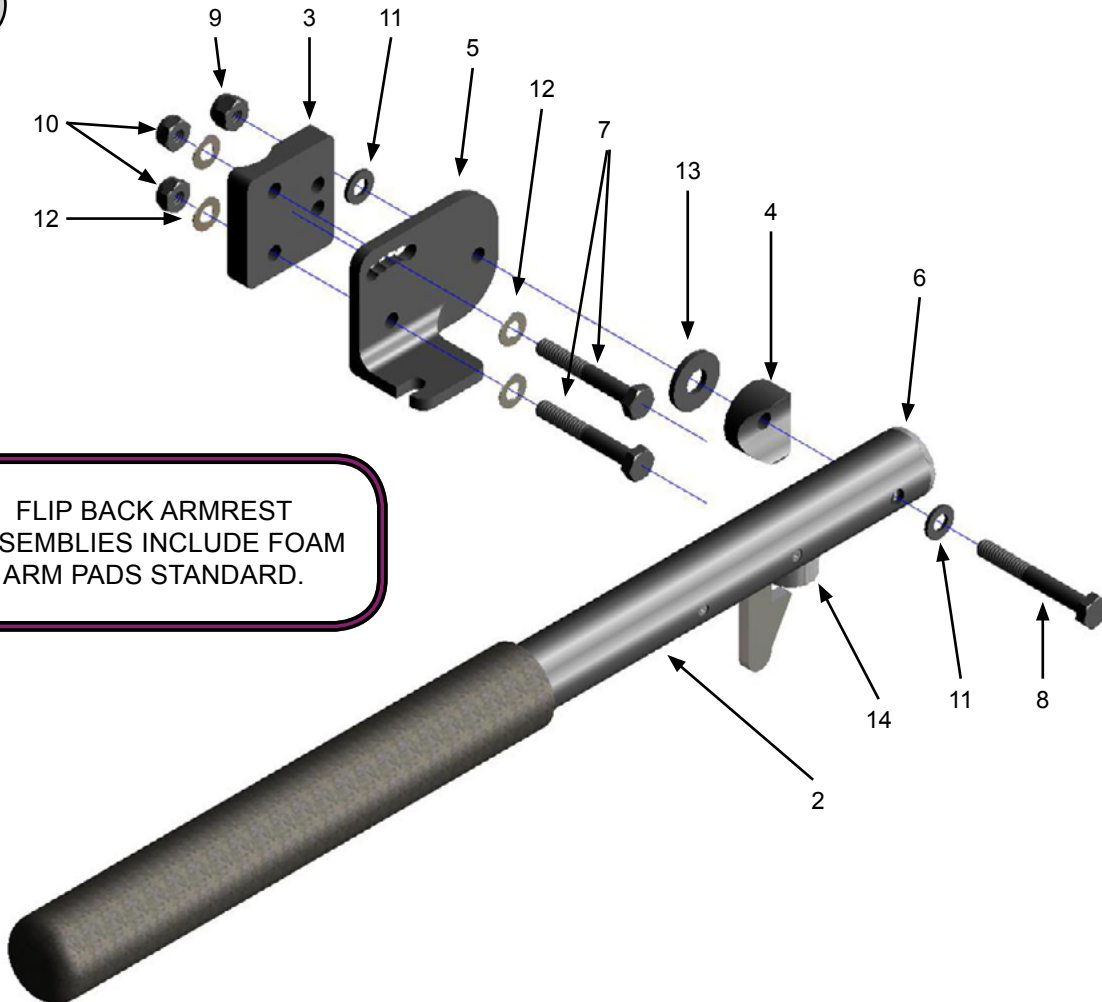
See Appendix for seat rail to arm pad height ranges.

Armrests—Flip Back (cont.)

| POS. | ITEM # | DESCRIPTION | QTY | ASSY | NOTES: |
|------|-----------|---------------------------------|-----|------|----------------------------------|
| 1a | 10721-PL | FLIP BACK ARMREST ASSY 10.5" L | 1 | 1 | INCLUDES POS. 2a, 3-15a |
| 1a | 10721-PR | FLIP BACK ARMREST ASSY 10.5" R | 1 | 1 | INCLUDES POS. 2a, 3-15a |
| 1a | 10721-P-2 | FLIP BACK ARMREST ASSY 10.5" PR | 2 | 1 | INCLUDES 2 EACH POS. 2a, 3-15a |
| 1b | 10721-L | FLIP BACK ARMREST ASSY 13.5" L | 1 | 1 | INCLUDES POS. 2b, 3-3-15b |
| 1b | 10721-R | FLIP BACK ARMREST ASSY 13.5" R | 1 | 1 | INCLUDES POS. 2b, 3-3-15b |
| 1b | 10721-2 | FLIP BACK ARMREST ASSY 13.5" PR | 2 | 1 | INCLUDES 2 EACH POS. 2b, 3-3-15b |
| 2a | 10722-P | FLIP BACK ARM TUBE ONLY 10.5" | 1 | 1 | DESK ARM PAD ONLY |
| 2b | 10722 | FLIP BACK ARM TUBE ONLY 13.5" | 1 | 1 | NEEDED FOR FULL LENGTH PADS |
| 3 | 6012 | F/BACK ARMREST ANG ADJ BARREL | 1 | 1 | |
| 4 | 6014 | F/BCK ARMREST MTG PLATE | 1 | 1 | |
| 5 | 9005-2 | PLSTIC SDL 1" FOR 5/16" SCREW | 2 | 1 | |
| 6 | 9000-4 | TUBE PLUG - 1" | 4 | 1 | |
| 7 | 9021-4 | SCREW 1/4-20 X 1-1/2" HEX HEAD | 4 | 1 | |
| 8 | 9023-4 | SCREW 1/4-20 X 2" HEX HEAD | 4 | 1 | |
| 9 | 9026-2 | SCREW 1/4-20 X 2 3/4" HEX HEAD | 2 | 1 | |
| 10 | 9072-4 | LOCKNUT 1/4-20 NYLON | 4 | 1 | |
| 11 | 9073-4 | LOCKNUT 1/4-20 NYLON-THIN | 4 | 1 | |
| 12 | 9074-4 | WASHER 1/4" FLAT 1/2" OD | 4 | 4 | |
| 13 | 9075-4 | WASHER 1/4" FLAT-THIN | 4 | 1 | |
| 14 | 9089-4 | WASHER 5/16" FLAT | 4 | 1 | |
| 15a | 5021 | FOAM ARMREST PAD - 4 1/2" | 1 | 1 | |
| 15b | 5022 | FOAM ARMREST PAD - 9 1/2" | 1 | 1 | |
| 15c | 10916 | ARM PAD FULL LENGTH 13 1/4" | 1 | 1 | |
| 15d | 10913 | ARM PAD DESK LENGTH 9 1/4" | 1 | 1 | |

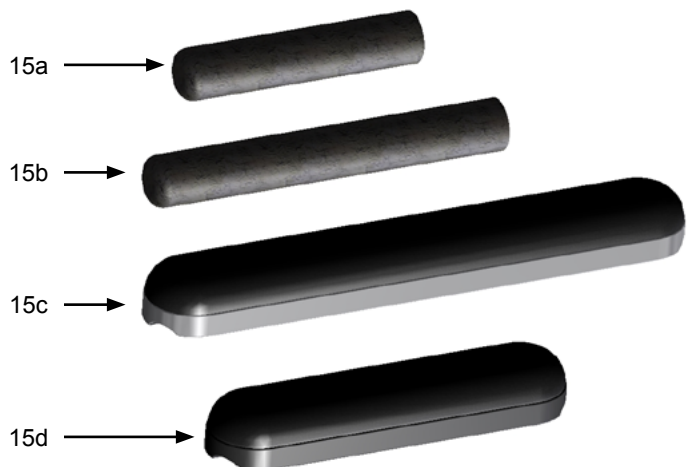
Armrests—Flip Back Locking

1



FLIP BACK ARMREST ASSEMBLIES INCLUDE FOAM ARM PADS STANDARD.

See Appendix for seat rail to arm pad height ranges.

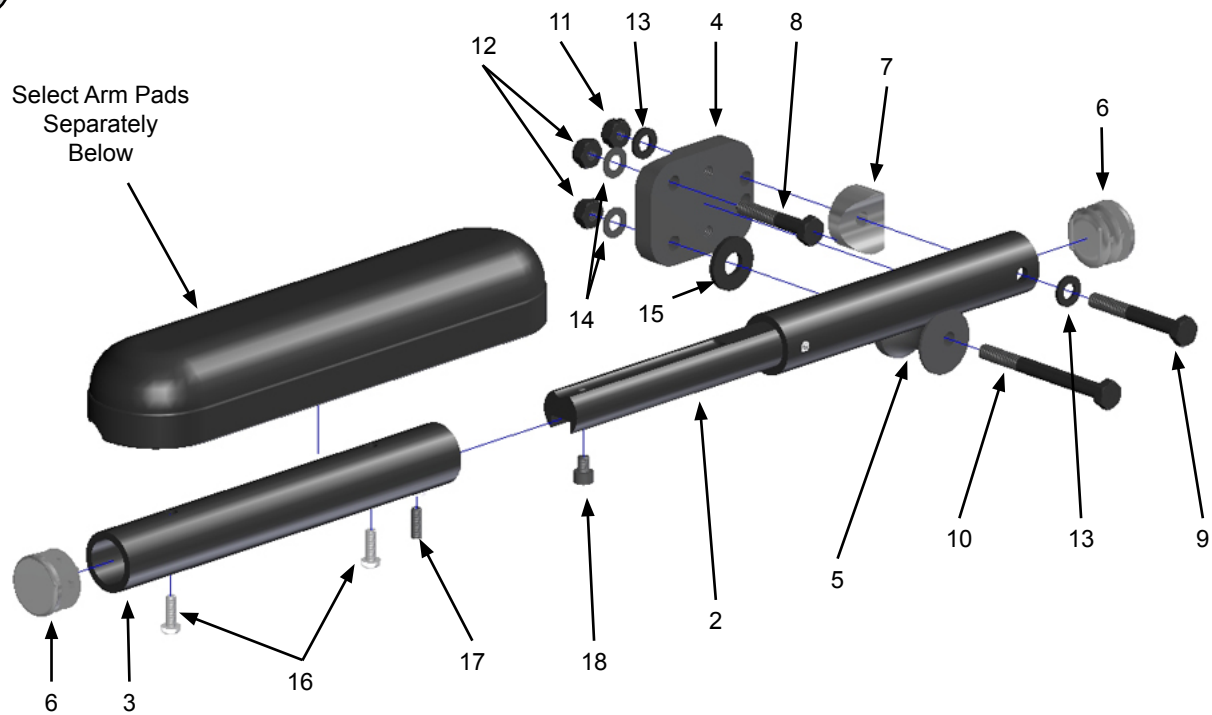


Armrests—Flip Back Locking (cont.)

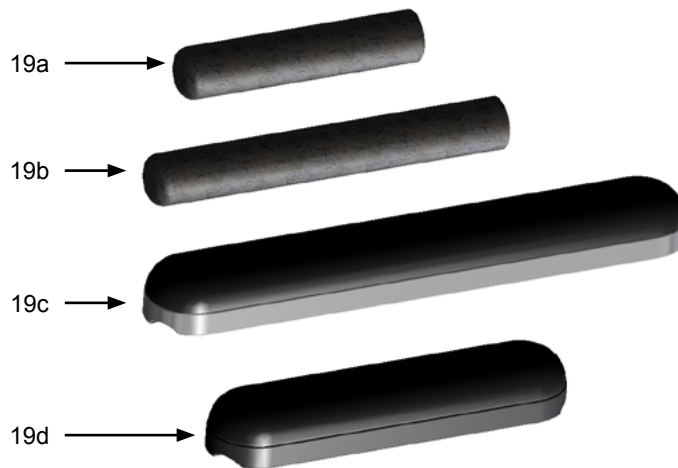
| POS. | ITEM # | DESCRIPTION | QTY | ASSY | NOTES: |
|------|-----------|---------------------------------|-----|------|--|
| 1a | 10751-PL | LOCKING F/BCK ARM ASSY 10.5" L | 1 | 1 | INCLUDES POS. 2a, 3-5a, 6-15a |
| 1a | 10751-PR | LOCKING F/BCK ARM ASSY 10.5" R | 1 | 1 | INCLUDES POS. 2a, 3-5b, 6-15a |
| 1a | 10751-P-2 | LOCKING F/BCK ARM ASSY 10.5" PR | 2 | 1 | INCLUDES 2 EACH POS. 2a, 3-5a, 5b, 6-15a |
| 1b | 10751-L | LOCKING F/BCK ARM ASSY 13.5" L | 1 | 1 | INCLUDES POS. 2b, 3-5a, 6-15b |
| 1b | 10751-R | LOCKING F/BCK ARM ASSY 13.5" R | 1 | 1 | INCLUDES POS. 2b, 3-5b, 6-15b |
| 1b | 10751-2 | LOCKING F/BCK ARM ASSY 13.5" PR | 2 | 1 | INCLUDES 2 EACH POS. 2b, 3-5a, 5b, 6-15b |
| 2a | 10754 | LKG F/BCK ARM TUBE ONLY 13.5" | 1 | 1 | |
| 2b | 10754-P | LKG F/BCK ARM TUBE ONLY 10.5" | 1 | 1 | |
| 3 | 6014 | F/BCK ARMREST MTG PLATE | 1 | 1 | |
| 4 | 9005-2 | PLSTIC SDL 1" FOR 5/16" SCREW | 2 | 1 | |
| 5a | 6004-L | LKG F/BCK ARM ADJ PLATE - L | 1 | 1 | |
| 5b | 6004-R | LKG F/BCK ARM ADJ PLATE - R | 1 | 1 | |
| 5c | 6004-2 | LKG F/BCK ARM ADJ PLATE - PR | 2 | 1 | |
| 6 | 9000-4 | TUBE PLUG - 1" | 4 | 1 | |
| 7 | 9022-4 | SCREW 1/4-20 X 1 3/4" HEX HEAD | 4 | 2 | |
| 8 | 9023-4 | SCREW 1/4-20 X 2" HEX HEAD | 4 | 2 | |
| 9 | 9072-4 | LOCKNUT 1/4-20 NYLON | 4 | 1 | |
| 10 | 9073-4 | LOCKNUT 1/4-20 NYLON-THIN | 4 | 2 | |
| 11 | 9074-4 | WASHER 1/4" FLAT 1/2" OD | 4 | 4 | |
| 12 | 9075-4 | WASHER 1/4" FLAT-THIN | 4 | 1 | |
| 13 | 9089-4 | WASHER 5/16" FLAT | 4 | 1 | |
| 14 | 5023-4 | STEM BMPR FOR BACKPOST & ARMS | 4 | 1 | |
| 15a | 5021 | FOAM ARMREST PAD - 4 1/2" | 1 | 1 | |
| 15b | 5022 | FOAM ARMREST PAD - 9 1/2" | 1 | 1 | |
| 15c | 10916 | ARM PAD FULL LENGTH 13 1/4" | 1 | 1 | |
| 15d | 10913 | ARM PAD DESK LENGTH 9 1/4" | 1 | 1 | |

Armrests—Flip Back, Telescoping

1



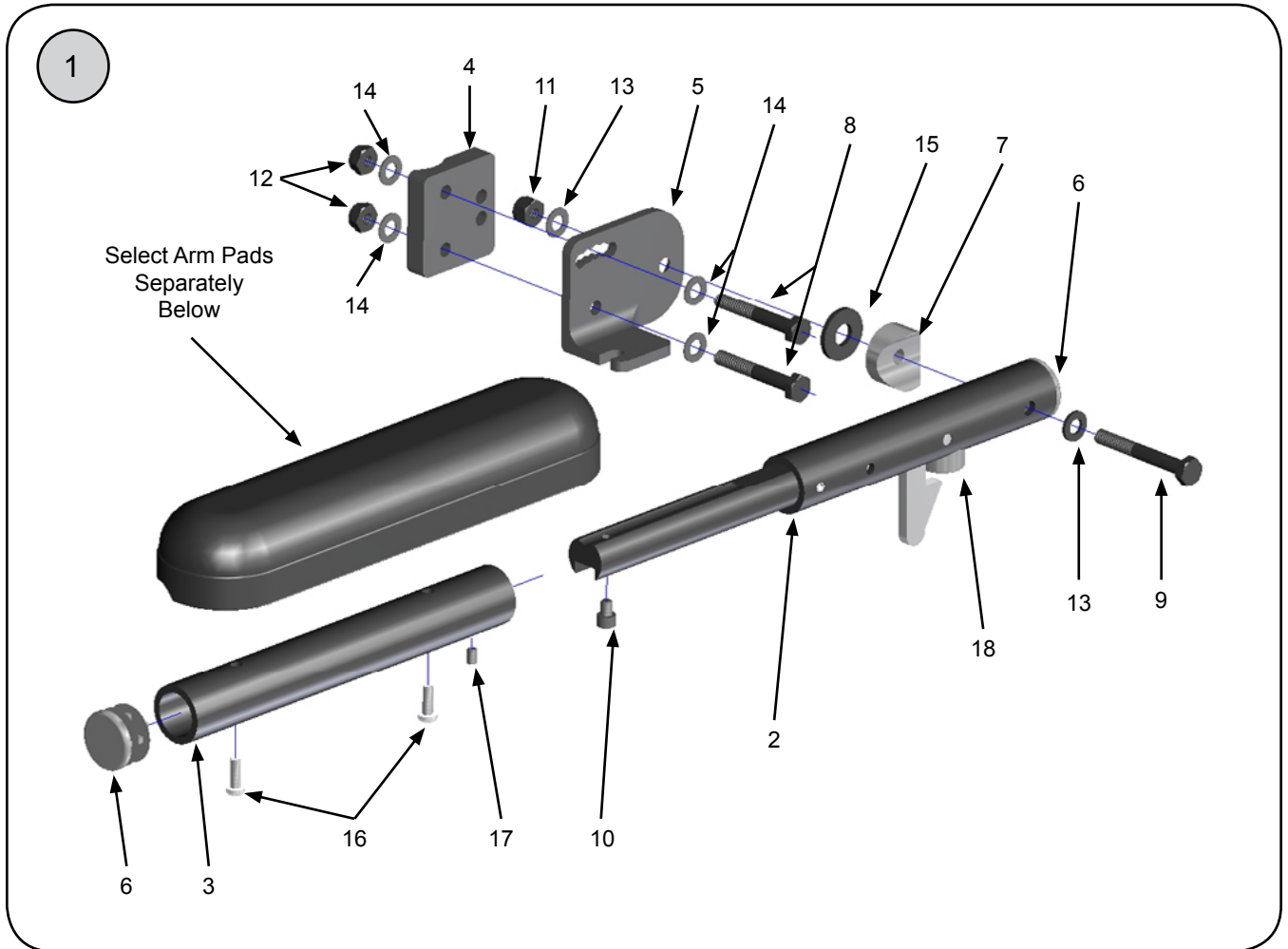
See Appendix for seat rail to arm pad height ranges.



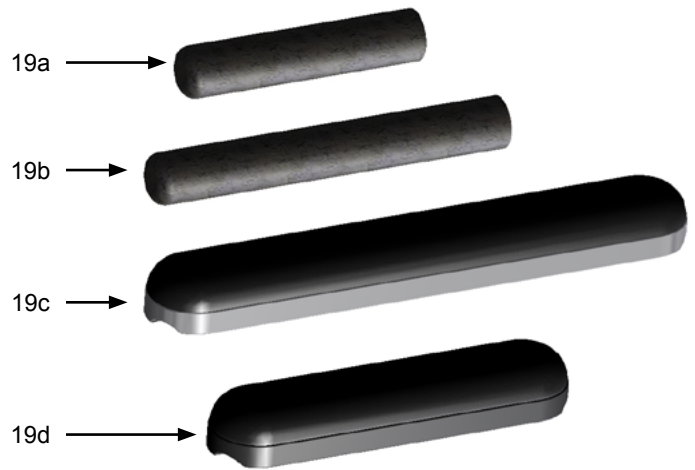
Armrests—Flip Back, Telescoping (cont.)

| POS. | ITEM # | DESCRIPTION | QTY | ASSY | NOTES: |
|------|---------|--------------------------------|-----|------|---|
| 1a | 10731-L | F/BK TELE ARM 10.5-13.5" DSK L | 1 | 1 | INCLUDES POS. 2, 3a, 4-18 (no pad included) |
| 1a | 10731-R | F/BK TELE ARM 10.5-13.5" DSK R | 1 | 1 | INCLUDES POS. 2, 3a, 4-18 (no pad included) |
| 1a | 10731-2 | F/BK TEL ARM 10.5-13.5" DSK PR | 2 | 1 | INCLUDES 2 EACH POS 2, 3a, 4-18 (no pad included) |
| 1b | 10752-L | F/BK TELE ARM 10.5-13.5" FL L | 1 | 1 | INCLUDES POS. 2, 3b, 4-18 (no pad included) |
| 1b | 10752-R | F/BK TELE ARM 10.5-13.5" FL R | 1 | 1 | INCLUDES POS. 2, 3b, 4-18 (no pad included) |
| 1b | 10752-2 | F/BK TELE ARM 10.5-13.5" FL PR | 2 | 1 | INCLUDES 2 EACH POS 2-3b, 4-18 (no pads included) |
| 2 | 18144-1 | F/BK TELES ARM TUBE REAR | 1 | 1 | |
| 3a | 18142-1 | ADJUST LCKG ARMST TUBE DESK | 1 | 1 | NEEDED FOR DESK PADS 7.25" LONG |
| 3b | 18145-1 | ADJUST LCKG ARMST TUBE FULL | 1 | 1 | NEEDED FOR FULL LENGTH PADS 11" LONG |
| 4 | 6014 | F/BCK ARMREST MTG PLATE | 1 | 1 | |
| 5 | 6012 | F/BACK ARMREST ANG ADJ BARREL | 1 | 1 | |
| 6 | 9000-4 | TUBE PLUG - 1" | 4 | 1 | |
| 7 | 9005-2 | PLSTIC SDL 1" FOR 5/16" SCREW | 2 | 1 | |
| 8 | 9021-4 | SCREW 1/4-20 X 1-1/2" HEX HEAD | 4 | 1 | |
| 9 | 9023-4 | SCREW 1/4-20 X 2" HEX HEAD | 4 | 1 | |
| 10 | 9026-2 | SCREW-1/4-20 X 2 3/4" HEX HEAD | 2 | 1 | |
| 11 | 9072-4 | LOCKNUT 1/4-20 NYLON | 4 | 2 | |
| 12 | 9073-4 | LOCKNUT 1/4-20 NYLON-THIN | 4 | 3 | |
| 13 | 9074-4 | WASHER 1/4" FLAT 1/2" OD | 4 | 3 | |
| 14 | 9075-4 | WASHER 1/4" FLAT-THIN | 4 | 1 | |
| 15 | 9089-4 | WASHER 5/16" FLAT | 4 | 1 | |
| 16 | 9115-4 | SCREW 10-32 X 3/8 PHIL PAN HD | 4 | 2 | |
| 17 | 9042-4 | SCREW 10-32 X 1/2" SET SCREW | 4 | 1 | |
| 18 | 9104-4 | SCREW 10-32 X 1/4" SOCKET HD | 4 | 1 | |
| 19a | 5021 | FOAM ARMREST PAD - 4 1/2" | 1 | 1 | |
| 19b | 5022 | FOAM ARMREST PAD - 9 1/2" | 1 | 1 | |
| 19c | 10916 | ARM PAD FULL LENGTH 13 1/4" | 1 | 1 | |
| 19d | 10913 | ARM PAD DESK LENGTH 9 1/4" | 1 | 1 | |

Armrests—Flip Back, Telescoping-Locking



See Appendix for seat rail to arm pad height ranges.

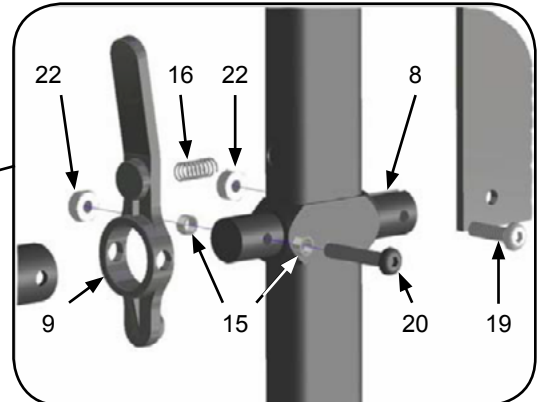
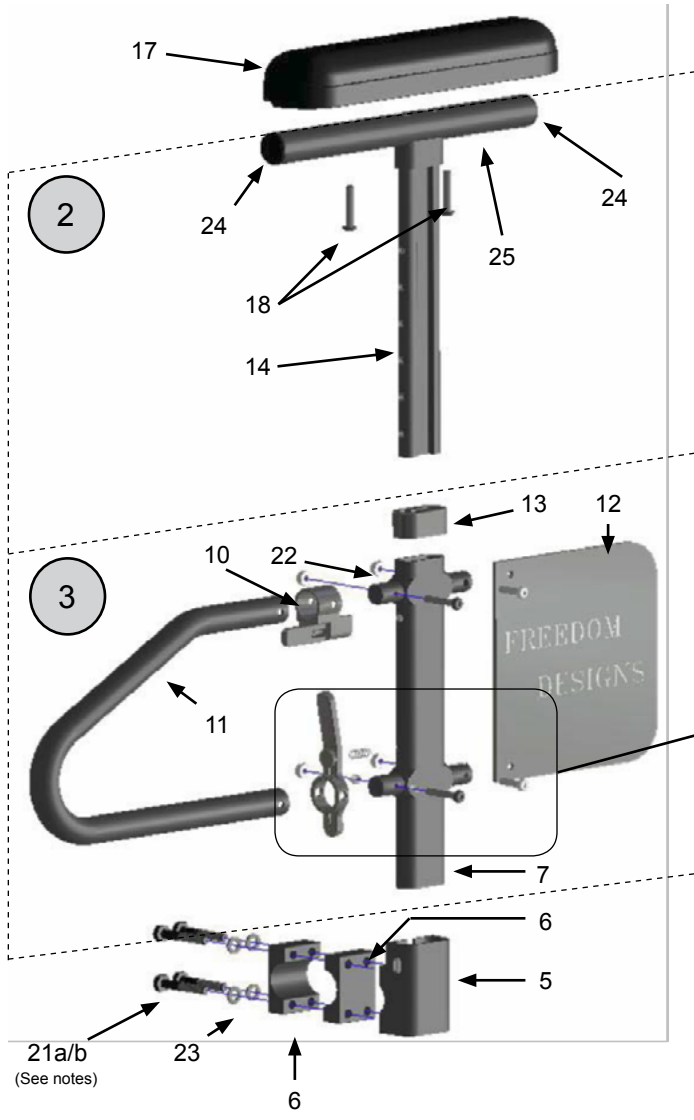


Armrests—Flip Back, Telescoping-Locking (cont.)

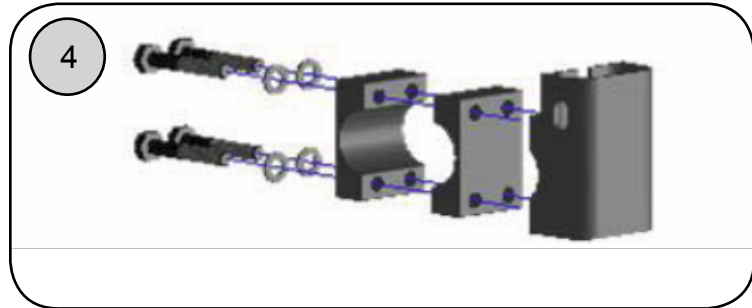
| POS. | ITEM # | DESCRIPTION | QTY | ASSY | NOTES: |
|------|---------|--------------------------------|-----|------|--|
| ①a | 18140-L | LKG F/BK TEL ARM 10.5-13.5 D L | 1 | 1 | INCLUDES POS. 2, 3a, 4-5a, 6-17 (no pad included) |
| ①a | 18140-R | LKG F/BK TEL ARM 10.5-13.5 D R | 1 | 1 | INCLUDES POS. 2, 3a, 4-5b, 6-17 (no pad included) |
| ①a | 18140-2 | LK F/BK TEL ARM 10.5-13.5 D PR | 2 | 1 | INCLUDES 2 EACH POS. 2, 3a, 4-17 (no pad included) |
| ①b | 18143-L | LKG F/BK TEL ARM 10.5-13.5 F L | 1 | 1 | INCLUDES POS. 2, 3b, 4-5a, 6-17 (no pad included) |
| ①b | 18143-R | LKG F/BK TEL ARM 10.5-13.5 F R | 1 | 1 | INCLUDES POS. 2, 3b, 4-5b, 6-17 (no pad included) |
| ①b | 18143-2 | LK F/BK TEL ARM 10.5-13.5 F PR | 2 | 1 | INCLUDES 2 EACH POS. 2, 3b, 4-17 (no pad included) |
| ①c | 18147-L | LKG F/BK TELE ARM 17-20" L | 1 | 1 | INCLUDES POS. 2, 3c, 4-5a, 6-17 (no pad included) |
| ①c | 18147-R | LKG F/BK TELE ARM 17-20" R | 1 | 1 | INCLUDES POS. 2, 3c, 4-5b, 6-17 (no pad included) |
| ①c | 18147-2 | LKG F/BK TELE ARM 17-20" PR | 2 | 1 | INCLUDES 2 EACH POS. 2, 3c, 4-17 (no pad included) |
| 2 | 18141-1 | LCKNG TLSCPNG ARM REAR ASSY | 1 | 1 | |
| 3a | 18142-1 | ADJUST LCKG ARMST TUBE DESK | 1 | 1 | NEEDED FOR DESK PADS 7.25" LONG |
| 3b | 18145-1 | ADJUST LCKG ARMST TUBE FULL | 1 | 1 | NEEDED FOR FULL LENGTH PADS 11" LONG |
| 3c | 18146-1 | ADJUST LCKG ARMST TUBE 17-20 | 1 | 1 | NEEDED FOR 17-20 L FULL PADS ONLY 14" LONG |
| 4 | 6014 | F/BCK ARMREST MTG PLATE | 1 | 1 | |
| 5a | 6004-L | LKG F/BCK ARM ADJ PLATE - L | 1 | 1 | |
| 5b | 6004-R | LKG F/BCK ARM ADJ PLATE - R | 1 | 1 | |
| 5c | 6004-2 | LKG F/BCK ARM ADJ PLATE - PR | 2 | 1 | |
| 6 | 9000-4 | TUBE PLUG - 1" | 4 | 1 | |
| 7 | 9005-2 | PLSTIC SDL 1" FOR 5/16" SCREW | 2 | 1 | |
| 8 | 9022-4 | SCREW-1/4-20 X 1 3/4" HEX HEAD | 4 | 2 | |
| 9 | 9023-4 | SCREW 1/4-20 X 2" HEX HEAD | 4 | 1 | |
| 10 | 9104-4 | SCREW 10-32 X 1/4" SOCKET HD | 4 | 1 | |
| 11 | 9072-4 | LOCKNUT 1/4-20 NYLON | 4 | 1 | |
| 12 | 9073-4 | LOCKNUT 1/4-20 NYLON-THIN | 4 | 2 | |
| 13 | 9074-4 | WASHER 1/4" FLAT 1/2" OD | 4 | 1 | |
| 14 | 9075-4 | WASHER 1/4" FLAT-THIN | 4 | 5 | |
| 15 | 9089-4 | WASHER 5/16" FLAT | 4 | 1 | |
| 16 | 9115-4 | SCREW 10-32 X 3/8 PHIL PAN HD | 4 | 2 | |
| 17 | 9042-4 | SCREW 10-32 X 1/2" SET SCREW | 4 | 1 | |
| 18 | 5023-4 | STEM BMPR FOR BACKPOST & ARMS | 4 | 1 | |
| 19a | 5021 | FOAM ARMREST PAD - 4 1/2" | 1 | 1 | |
| 19b | 5022 | FOAM ARMREST PAD - 9 1/2" | 1 | 1 | |
| 19c | 10916 | ARM PAD FULL LENGTH 13 1/4" | 1 | 1 | |
| 19d | 10913 | ARM PAD DESK LENGTH 9 1/4" | 1 | 1 | |

Armrest—Adjustable Height, Tall

See Appendix for seat rail to arm pad height ranges.



STANDARD SEAT WIDTH REQUIRES (1) INNER CLAMP (ITEM 5) AND USES 1-1/4" LONG MOUNTING SCREW (ITEM 20a)
 EXTENDED SEAT WIDTH REQUIRES (2) INNER CLAMPS AS SHOWN AND USES 1-1/2" LONG MOUNTING SCREWS (ITEM 20b)



Armrest—Adjustable Height, Tall (cont.)

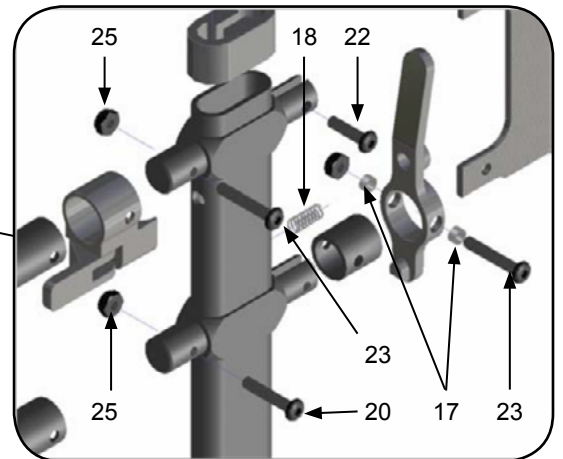
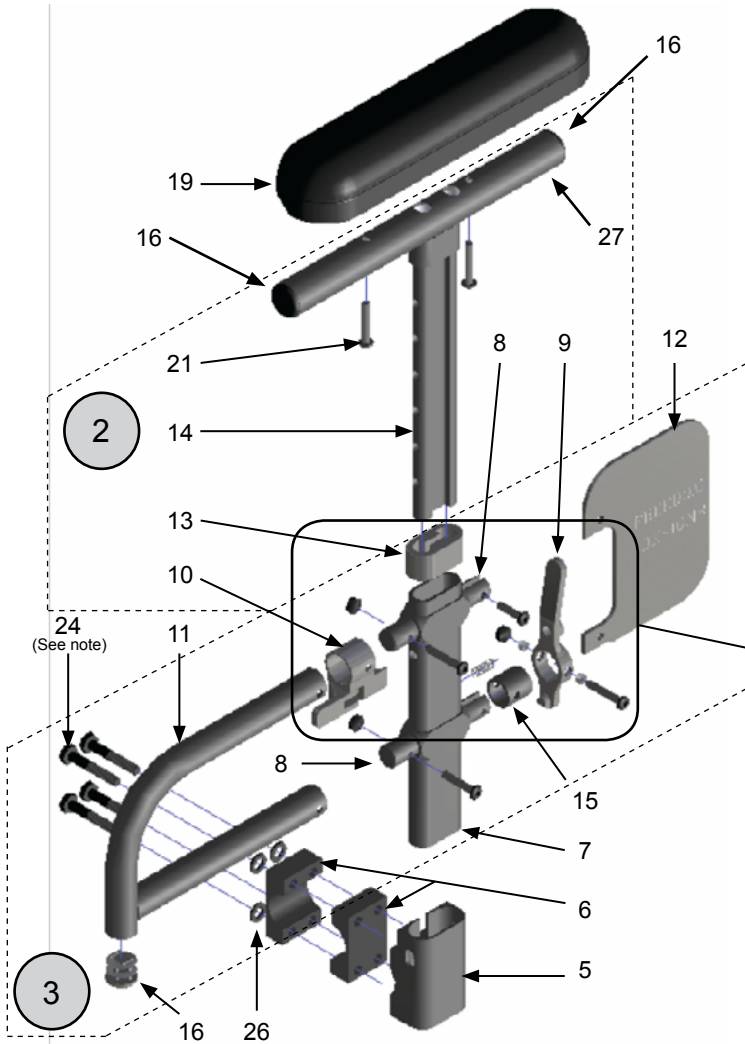
| POS. | ITEM # | DESCRIPTION | QTY | ASSY | NOTES: |
|------|-----------|--------------------------------|-----|------|---|
| 1a | 10756-L | SNGL PST HT ADJ ARM TL DSK L | 1 | 1 | INCLUDES DESK LENGTH ARM PAD |
| 1a | 10756-R | SNGL PST HT ADJ ARM TL DSK R | 1 | 1 | INCLUDES DESK LENGTH ARM PAD |
| 1a | 10756-2 | SNGL PST HT ADJ ARM TL DSK PR | 2 | 1 | INCLUDES DESK LENGTH ARM PAD |
| 1b | 10770-L | SNGL PST HT ADJ ARM TL FL L | 1 | 1 | INCLUDES FULL LENGTH ARM PAD |
| 1b | 10770-R | SNGL PST HT ADJ ARM TL FL R | 1 | 1 | INCLUDES FULL LENGTH ARM PAD |
| 1b | 10770-2 | SNGL PST HT ADJ ARM TL FL PR | 2 | 1 | INCLUDES FULL LENGTH ARM PAD |
| 2a | 10758-1 | SNGL PST HT ADJ TL UPR DESK | 1 | 1 | INCLUDES 14, 18, 24-25a |
| 2a | 10758-2 | SNGL PST HT ADJ TL UPR DESK | 2 | 1 | INCLUDES 14, 18, 24-25a |
| 2b | 10772-1 | SNGL PST HT ADJ TL UPR FULL | 1 | 1 | INCLUDES 14, 18, 24-25b |
| 2b | 10772-2 | SNGL PST HT ADJ TL UPR FULL | 2 | 1 | INCLUDES 14, 18, 24-25b |
| 3 | 10757-L | SNGL PST HT ADJ TL LWR ASSY L | 1 | 1 | INCLUDES POS. 7-12a, 13, 15-16, 19-20, 22 |
| 3 | 10757-R | SNGL PST HT ADJ TL LWR ASSY R | 1 | 1 | INCLUDES POS. 7-12b, 13, 15-16, 19-20, 22 |
| 3 | 10757-2 | SNGL PST HT ADJ TL LWR ASSY PR | 2 | 1 | INCLUDES POS. 7-13, 15-16, 19-20, 22 |
| 4 | 10793-1 | SNGL PST HT ADJ ARM RECVR ASSY | 1 | 1 | INCLUDES POS. 5-6, 21A, 23 |
| 4 | 10793-2 | SNGL PST HT ADJ ARM RECVR ASSY | 2 | 1 | INCLUDES POS. 5-6, 21A, 23 |
| 5 | 10759-1 | SNGL PST HT ADJ ARM RECVR SCKT | 1 | 1 | |
| 6 | 10760-1 | SNGL PST HT ADJ ARM RCVR CLAMP | 1 | 1 | INNER CLAMP / ALSO TO SPACE ARM OUT |
| 7 | 10761-1 | SNGL PST HT ADJ ARM RCVR TUBE | 1 | 1 | |
| 8 | 10763-1 | SNGL PST ARM RCVR TUBE CLAMP | 1 | 2 | |
| 9 | 10764-1 | SNGL PST ARM FRAME REL LEVER | 1 | 1 | |
| 10a | 10765-L | SNGL PST ARM HGT ADJ LEVER L | 1 | 1 | |
| 10b | 10765-R | SNGL PST ARM HGT ADJ LEVER R | 1 | 1 | |
| 10c | 10765-2 | SNGL PST ARM HGT ADJ LEVER PR | 2 | 1 | LEFT AND RIGHT HEIGHT ADJ LEVER |
| 11 | 10766-STD | SGL PST ARM TRANSFER TUBE STD | 1 | 1 | TUBE MEASURES 7.5L X 6H |
| 12a | 10767-L | SGL PST ARM SIDE PANEL STD L | 1 | 1 | 6L X 6H |
| 12b | 10767-R | SGL PST ARM SIDE PANEL STD R | 1 | 1 | 6L X 6H |
| 12c | 10767-2 | SGL PST ARM SIDE PANEL STD PR | 2 | 1 | 6L X 6H |
| 13 | 10768-1 | SNGL PST ARM RCVR TUBE CAP | 1 | 1 | |
| 14 | 10769-1 | SNGL PST ARM HT ADJ POST STD | 1 | 1 | |
| 15 | 9039-4 | SNGL PST FRM LTCH SPCR BSHNG | 4 | 2 | |
| 16 | 9040-4 | SNGL PST ARM FRM LTCH SPRING | 4 | 1 | |
| 17a | 10913 | ARM PAD DESK LENGTH 9 1/4" | 1 | 1 | |
| 17b | 10916 | ARM PAD FULL LENGTH 13 1/4" | 1 | 1 | |
| 18 | 9016-4 | SCREW 10-32 X 1-1/4" PAN HD | 4 | 2 | |
| 19 | 9057-4 | SCREW 10-32 X 3/4" BTN HD | 4 | 2 | |
| 20 | 9070-4 | SCREW 10-32 X 1 1/4" BTN HD | 4 | 2 | |
| 21a | 9020-4 | SCREW-1/4-20 X 1 1/4" HEX HEAD | 4 | 4 | |
| 21b | 9021-4 | SCREW 1/4-20 X 1-1/2" HEX HEAD | 4 | 4 | |
| 22 | 9086-4 | LOCKNUT 10-32 NYLOC | 4 | 4 | |
| 23 | 9074-4 | WASHER 1/4" FLAT 1/2" OD | 4 | 4 | |

Continued Next Page

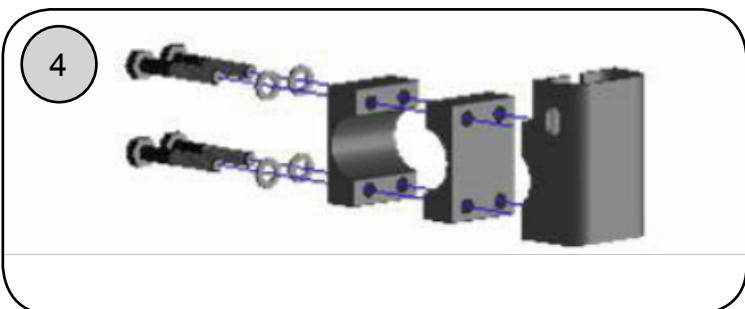
Armrest—Adjustable Height, Tall (cont.)

| POS. | ITEM # | DESCRIPTION | QTY | ASSY | NOTES: |
|------|---------|--------------------------------|-----|------|--------------------------------|
| 24 | 3099-4 | TUBE PLUG 3/4" | 4 | 2 | |
| 25a | 10785-1 | SNGL PST HT ADJ ARM PD TBE DSK | 1 | 1 | FOR DESK LENGTH PADS 8.5" LONG |
| 25a | 10785-2 | SNGL PST HT ADJ ARM PD TBE DSK | 2 | 1 | FOR DESK LENGTH PADS 8.5" LONG |
| 25b | 10792-1 | SNGL PST HT ADJ ARM PD TBE FL | 1 | 1 | FOR FULL LENGTH PADS 12" LONG |
| 25b | 10792-2 | SNGL PST HT ADJ ARM PD TBE FL | 2 | 1 | FOR FULL LENGTH PADS 12" LONG |

Armrest—Adjustable Height, Short



STANDARD SEAT WIDTH REQUIRES (1) INNER CLAMP (ITEM 5) AND USES 1-1/4" LONG MOUNTING SCREW (ITEM 24a)
 EXTENDED SEAT WIDTH REQUIRES (2) INNER CLAMPS AS SHOWN AND USES 1-1/2" LONG MOUNTING SCREWS (ITEM 24b)



See Appendix for seat rail to arm pad height ranges.

Armrest—Adjustable Height, Short (cont.)

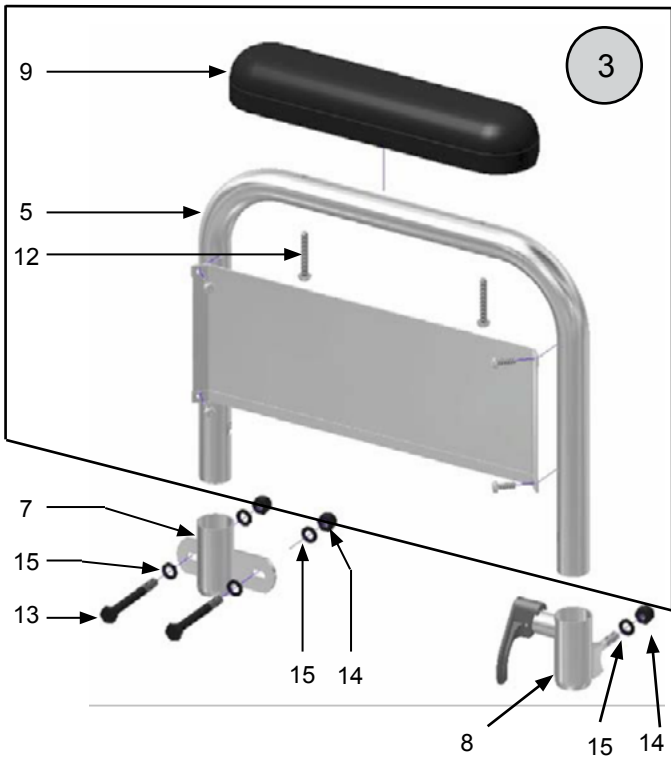
| POS. | ITEM # | DESCRIPTION | QTY | ASSY | NOTES: |
|------|---------|---------------------------------|-----|------|---|
| 1a | 10780-2 | SNGL PST HT ADJ ARM SHT DSK PR | 1 | 1 | INCLUDES DESK LENGTH ARM PAD |
| 1a | 10780-L | SNGL PST HT ADJ ARM SHT DSK L | 1 | 1 | INCLUDES DESK LENGTH ARM PAD |
| 1a | 10780-R | SNGL PST HT ADJ ARM SHT DSK R | 2 | 1 | INCLUDES DESK LENGTH ARM PAD |
| 1b | 10794-L | SNGL PST HT ADJ ARM SHT FL L | 1 | 1 | INCLUDES FULL LENGTH ARM PAD |
| 1b | 10794-R | SNGL PST HT ADJ ARM SHT FL R | 1 | 1 | INCLUDES FULL LENGTH ARM PAD |
| 1b | 10794-2 | SNGL PST HT ADJ ARM SHT FL PR | 2 | 1 | INCLUDES FULL LENGTH ARM PAD |
| 2a | 10782-1 | SNGL PST HT ADJ SHT UPR DESK | 1 | 1 | INCLUDES POS. 14, 16, 27a |
| 2a | 10782-2 | SNGL PST HT ADJ SHT UPR DESK | 2 | 1 | INCLUDES POS. 14, 16, 27a |
| 2b | 10773-1 | SNGL PST HT ADJ SHT UPR FL | 1 | 1 | INCLUDES POS. 14, 16, 27b |
| 2b | 10773-2 | SNGL PST HT ADJ SHT UPR FL | 2 | 1 | INCLUDES POS. 14, 16, 27b |
| 3a | 10781-L | SNGL PST HT ADJ SHT LWR ASSY L | 1 | 1 | INCLUDES POS. 7-12a, 13, 15, 17-18, 20-23, 25 |
| 3b | 10781-R | SNGL PST HT ADJ SHT LWR ASSY R | 1 | 1 | INCLUDES POS. 7-12b, 13, 15, 17-18, 20-23, 25 |
| 3 | 10781-2 | SNGL PST HT ADJ SHT LWR ASSY PR | 2 | 1 | INCLUDES POS. 7-12, 13, 15, 17-18, 20-23, 25 |
| 4 | 10791-1 | SNGL PST HT ADJ ARM RECVR ASSY | 1 | 1 | INCLUDES POS. 5-6 24a, 26 |
| 4 | 10791-2 | SNGL PST HT ADJ ARM RECVR ASSY | 2 | 1 | INCLUDES POS. 5-6 24a, 26 |
| 5 | 10759-1 | SNGL PST HT ADJ ARM RECVR SCKT | 1 | 1 | |
| 6 | 10760-1 | SNGL PST HT ADJ ARM RCVR CLAMP | 1 | 1 | INNER CLAMP / ALSO TO SPACE ARM OUT |
| 7 | 10761-P | SNGL PST HT ADJ ARM RCVR TUBE | 1 | 1 | |
| 8 | 10763-1 | SNGL PST ARM RCVR TUBE CLAMP | 1 | 2 | |
| 9 | 10764-1 | SNGL PST ARM FRAME REL LEVER | 1 | 1 | |
| 10a | 10765-L | SNGL PST ARM HGT ADJ LEVER L | 1 | 1 | |
| 10b | 10765-R | SNGL PST ARM HGT ADJ LEVER R | 1 | 1 | |
| 10c | 10765-2 | SNGL PST ARM HGT ADJ LEVER PR | 2 | 1 | LEFT AND RIGHT HEIGHT ADJ LEVER |
| 11 | 10766-P | SGL PST ARM TRANSFER TUBE SHT | 1 | 1 | 6.75"L X 4"H |
| 12 | 10783-L | SGL PST ARM SIDE PANEL SHT L | 1 | 1 | 4"L X 4"H |
| 12 | 10783-R | SGL PST ARM SIDE PANEL SHT R | 1 | 1 | 4"L X 4"H |
| 12 | 10783-2 | SGL PST ARM SIDE PANEL SHT PR | 2 | 1 | 4"L X 4"H |
| 13 | 10768-1 | SNGL PST ARM RCVR TUBE CAP | 1 | 1 | |
| 14 | 10769-P | SNGL PST ARM HT ADJ PST SHRT | 1 | 1 | 6-3/8" H |
| 15 | 10784-1 | SGL PST SHRT ARM SPACER TUBE | 1 | 1 | |
| 16 | 3099-4 | TUBE PLUG 3/4" | 4 | 3 | |
| 17 | 9039-4 | SNGL PST FRM LTCH SPCR BSHNG | 4 | 2 | |
| 18 | 9040-4 | SNGL PST ARM FRM LTCH SPRING | 4 | 1 | |
| 19a | 10913 | ARM PAD DESK LENGTH 9 1/4" | 1 | 1 | |
| 19b | 10916 | ARM PAD FULL LENGTH 13 1/4" | 1 | 1 | |
| 20 | 9102-4 | SCREW 10-32 X 1" BTTN HEAD | 4 | 1 | |
| 21 | 9016-4 | SCREW 10-32 X 1-1/4" PAN HD | 4 | 2 | |
| 22 | 9057-4 | SCREW 10-32 X 3/4" BTN HD | 4 | 1 | |
| 23 | 9070-4 | SCREW 10-32 X 1 1/4" BTN HD | 4 | 2 | |
| 24a | 9020-4 | SCREW 1/4-20 X 1 1/4" HEX HEAD | 4 | 4 | |
| 24b | 9021-4 | SCREW 1/4-20 X 1-1/2" HEX HEAD | 4 | 4 | |
| 25 | 9086-4 | LOCKNUT 10-32 NYLOC | 4 | 4 | |

Continued Next Page

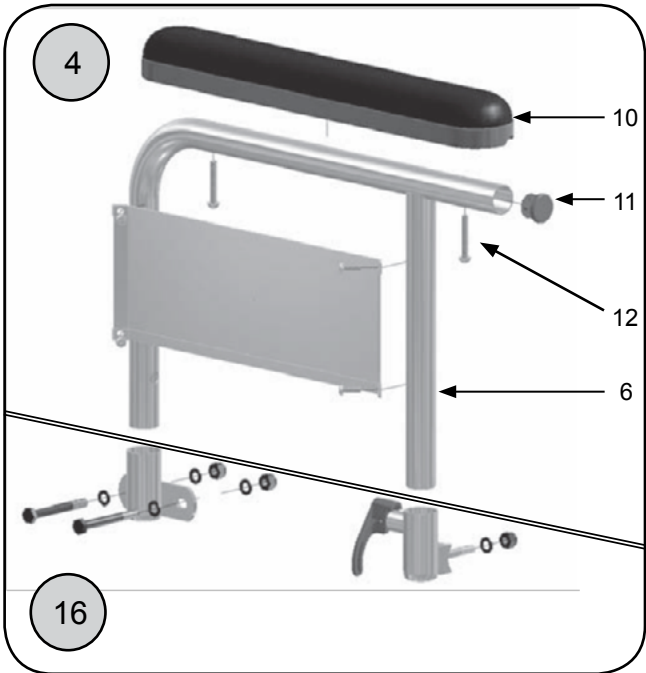
Armrest—Adjustable Height, Short (cont.)

| POS. | ITEM # | DESCRIPTION | QTY | ASSY | NOTES: |
|-------------|---------------|--------------------------------|------------|-------------|--------------------------------|
| 26 | 9074-4 | WASHER 1/4" FLAT 1/2" OD | 4 | 4 | |
| 27a | 10785-1 | SNGL PST HT ADJ ARM PD TBE DSK | 1 | 1 | FOR DESK LENGTH PADS 8.5" LONG |
| 27a | 10785-2 | SNGL PST HT ADJ ARM PD TBE DSK | 2 | 1 | FOR DESK LENGTH PADS 8.5" LONG |
| 27b | 10792-1 | SNGL PST HT ADJ ARM PD TBE FL | 1 | 1 | FOR FULL LENGTH PADS 12" LONG |
| 27b | 10792-2 | SNGL PST HT ADJ ARM PD TBE FL | 2 | 1 | FOR FULL LENGTH PADS 12" LONG |

Armrest—Dual Post Fixed Height



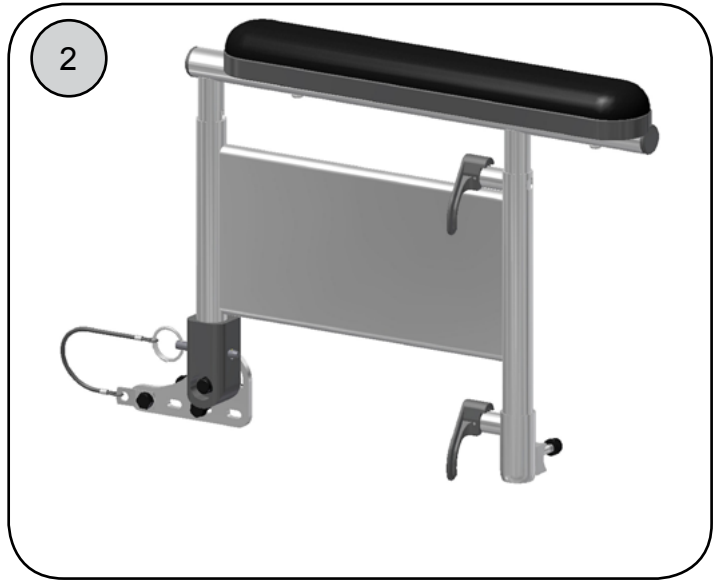
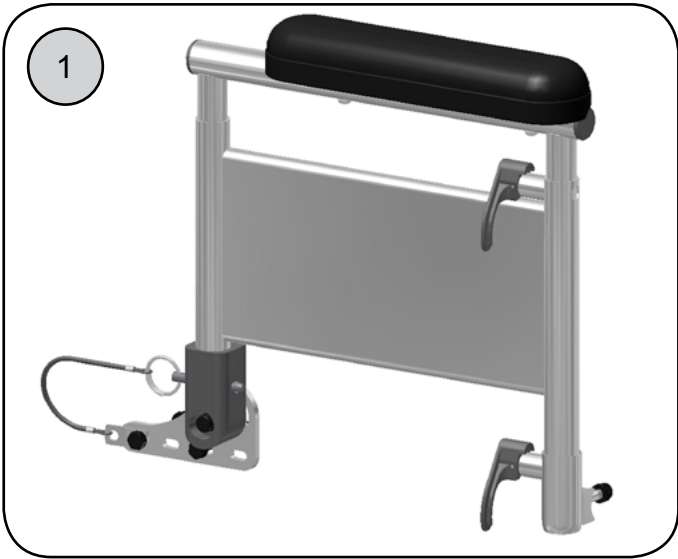
See Appendix for seat rail to arm pad height ranges.



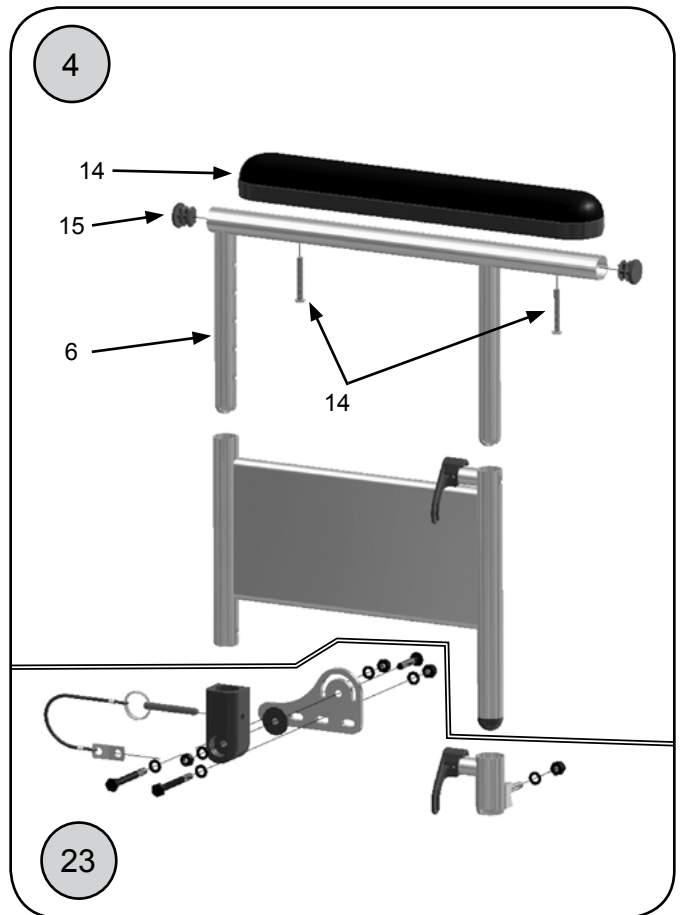
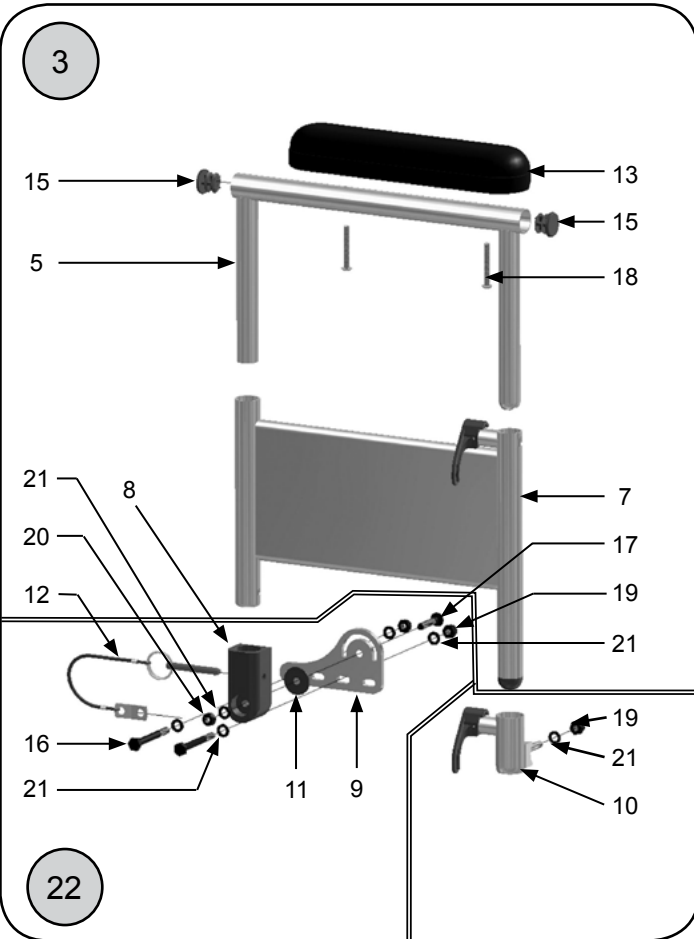
Armrest—Dual Post Fixed Height (cont.)

| POS. | ITEM # | DESCRIPTION | QTY | ASSY | NOTES: |
|------|---------|--------------------------------|-----|------|-------------------------------|
| 1a | 18101-L | DL PST FX HT ARM DSK CMPL L | 1 | 1 | INCLUDES POS. 5, 7-9. 12-15 |
| 1b | 18101-R | DL PST FX HT ARM DSK CMPL R | 1 | 1 | INCLUDES POS. 5, 7-9. 12-15 |
| 1 | 18101-2 | DL PST FX HT ARM DSK CMPL PR | 2 | 1 | INCLUDES POS. 5, 7-9. 12-15 |
| 2a | 18102-L | DL PST FX HT ARM FL CMPL L | 1 | 1 | INCLUDES POS. 6-8, 10-15 |
| 2b | 18102-R | DL PST FX HT ARM FL CMPL R | 1 | 1 | INCLUDES POS. 6-8, 10-15 |
| 2 | 18102-2 | DL PST FX HT ARM DSK CMPL PR | 2 | 1 | INCLUDES POS. 6-8, 10-15 |
| 3a | 18103-L | DUAL POST FXD HT DESK ARM L | 1 | 1 | INCLUDES POS. 5, 9, 12 |
| 3b | 18103-R | DUAL POST FXD HT DESK ARM R | 1 | 1 | INCLUDES POS. 5, 9, 12 |
| 3 | 18103-2 | DUAL POST FXD HT DESK ARM PR | 2 | 1 | INCLUDES POS. 5, 9, 12 |
| 4a | 18104-L | DUAL POST FXD HT FULL ARM L | 1 | 1 | INCLUDES POS. 6, 10-12 |
| 4b | 18104-R | DUAL POST FXD HT FULL ARM R | 1 | 1 | INCLUDES POS. 6, 10-12 |
| 4 | 18104-2 | DUAL POST FXD HT FULL ARM PR | 2 | 1 | INCLUDES POS. 6, 10-12 |
| 5 | 18105-1 | DUAL POST ARM TUBE DESK | 1 | 1 | |
| 5 | 18105-2 | DUAL POST ARM TUBE DESK PAIR | 2 | 1 | |
| 6 | 18106-1 | DUAL POST ARM TUBE FL | 1 | 1 | |
| 6 | 18106-2 | DUAL POST ARM TUBE FL PR | 2 | 1 | |
| 7 | 18087-1 | DUAL POST REAR ARM RECEIVER | 1 | 1 | |
| 7 | 18087-2 | DUAL POST REAR ARM RECEIVER | 2 | 1 | |
| 8 | 18107-L | DUAL POST ARM FRNT RECEIVER L | 1 | 1 | |
| 8 | 18107-R | DUAL POST ARM FRNT RECEIVER R | 1 | 1 | |
| 8 | 18107-2 | DUAL POST ARM FRNT RECEIVER PR | 2 | 1 | |
| 9 | 10913 | ARM PAD DESK LENGTH 9 1/4" | 1 | 1 | |
| 10 | 10916 | ARM PAD FULL LENGTH 13 1/4" | 1 | 1 | |
| 11 | 9000-4 | TUBE PLUG - 1" | 4 | 1 | |
| 12 | 9106-4 | SCREW 10-32 X 1-1/4 PHIL PN HD | 4 | 2 | |
| 13 | 9024-4 | SCREW 1/4-20 X 2-1/4" HEX HD | 4 | 2 | |
| 14 | 9072-4 | LOCKNUT 1/4-20 NYLON | 4 | 2 | |
| 15 | 9074-4 | WASHER 1/4" FLAT 1/2" OD | 4 | 4 | |
| 16a | 18108-L | DUAL PST ARM RCVRS FRT/RR L | 1 | 1 | INCLUDES POS. 7-8a, 13-17 |
| 16b | 18108-R | DUAL PST ARM RCVRS FRT/RR R | 1 | 1 | INCLUDES POS. 7-8b, 13-17 |
| 16c | 18108-2 | DUAL PST ARM RCVRS FRT/RR PR | 2 | 1 | INCLUDES POS. 7-8a, 8b, 13-17 |

Armrests—Dual Post Flip Back Adjustable Height



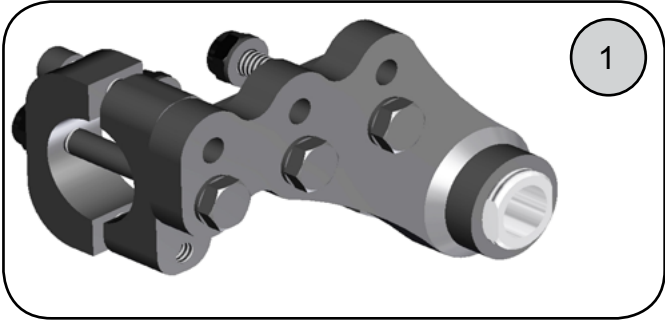
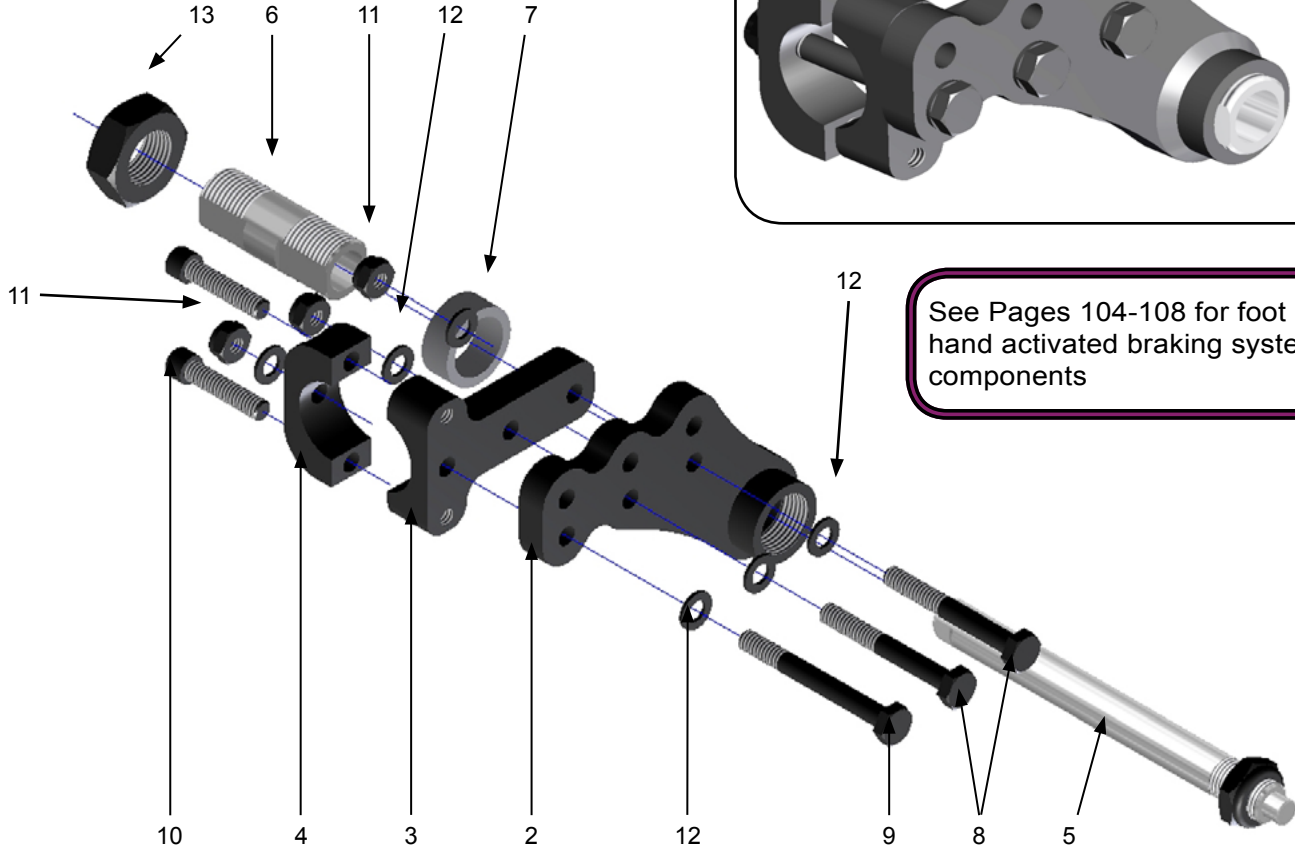
See Appendix for seat rail to arm pad height ranges.



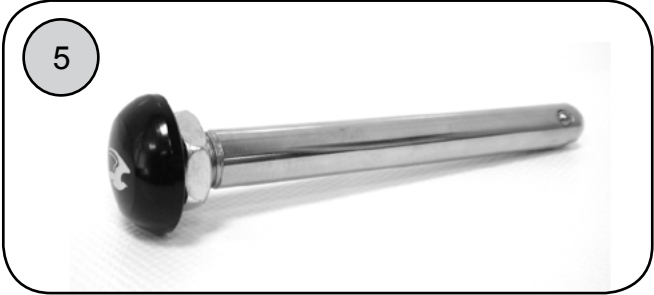
Armrests—Dual Post Flip Back Adjustable Height (cont.)

| POS. | ITEM # | DESCRIPTION | QTY | ASSY | NOTES: |
|------|---------|---------------------------------|-----|------|--|
| 1a | 18113-L | DL PST ADJ HGT F/U DSK CMPL L | 1 | 1 | INCLUDES POS. 5, 7a, 8-13, 15-21 |
| 1b | 18113-R | DL PST ADJ HGT F/U DSK CMPL R | 1 | 1 | INCLUDES POS. 5, 7b, 8-13, 15-21 |
| 1 | 18113-2 | DL PST ADJ HGT F/U DSK CMPL PR | 2 | 1 | INCLUDES POS. 5, 7, 8-13, 15-21 |
| 2a | 18114-L | DL PST ADJ HGT F/U FL CMPL L | 1 | 1 | INCLUDES POS. 6-7a, 8-12, 14-21 |
| 2b | 18114-R | DL PST ADJ HGT F/U FL CMPL R | 1 | 1 | INCLUDES POS. 6-7b, 8-12, 14-21 |
| 2 | 18114-2 | DL PST ADJ HGT F/U FL CMPL PR | 2 | 1 | INCLUDES POS. 6-12, 14-21 |
| 3a | 18115-L | DL PST ADJ HGT F/U DSK ASSY L | 1 | 1 | INCLUDES POS. 5, 7a, 13, 15, 18 |
| 3b | 18115-R | DL PST ADJ HGT F/U DSK ASSY R | 1 | 1 | INCLUDES POS. 5, 7b, 13, 15, 18 |
| 3 | 18115-2 | DL PST ADJ HGT F/U DSK ASSY PR | 2 | 1 | INCLUDES POS. 5, 7a, 7b, 13, 15, 18 |
| 4a | 18116-L | DL PST ADJ HGT F/U FL ASSY L | 1 | 1 | INCLUDES POS. 6, 7a, 14-15, 18 |
| 4b | 18116-R | DL PST ADJ HGT F/U FL ASSY R | 1 | 1 | INCLUDES POS. 6, 7b, 14-15, 18 |
| 4 | 18116-2 | DL PST ADJ HGT F/U FL ASSY PR | 2 | 1 | INCLUDES POS. 6, 7a, 7b, 14-15, 18 |
| 5 | 18117-1 | DL PST ADJ HGT UPR TUBE DSK | 1 | 1 | |
| 5 | 18117-2 | DL PST ADJ HGT UPR TUBE DSK | 2 | 1 | |
| 6 | 18118-1 | DL PST ADJ HGT UPR TUBE FL | 1 | 1 | |
| 6 | 18118-2 | DL PST ADJ HGT UPR TUBE FL PR | 2 | 1 | |
| 7a | 18119-L | DL PST ADJ HGT LWR ASSY L | 1 | 1 | |
| 7b | 18119-R | DL PST ADJ HGT LWR ASSY R | 1 | 1 | |
| 7 | 18119-2 | DL PST ADJ HGT LWR ASSY PR | 2 | 2 | |
| 8 | 18120-1 | DL PST F/U ARM RR RCVR SOCKET | 1 | 1 | |
| 8 | 18120-2 | DL PST F/U ARM RR RCVR SOCKET | 2 | 1 | |
| 9a | 18121-L | DL PST F/U RR RCVR MTG PLT L | 1 | 1 | |
| 9b | 18121-R | DL PST F/U RR RCVR MTG PLT R | 1 | 1 | |
| 9 | 18121-2 | DL PST F/U RR RCVR MTG PLT PR | 2 | 1 | |
| 10a | 18107-L | DUAL POST ARM FRNT RECEIVER L | 1 | 1 | INCLUDES POS. 10a, 19, 21 |
| 10b | 18107-R | DUAL POST ARM FRNT RECEIVER R | 1 | 1 | INCLUDES POS. 10b, 19, 21 |
| 10 | 18107-2 | DUAL POST ARM FRNT RECEIVER PR | 2 | 1 | INCLUDES POS. 10a, 10b, 19, 21 |
| 11 | 9074A-4 | FLAT WASHER 1/4" LARGE O.D. | 4 | 1 | |
| 12 | 18122-1 | DETENT PIN WITH LANYARD | 1 | 1 | |
| 13 | 10913 | ARM PAD DESK LENGTH 9 1/4" | 1 | 1 | |
| 14 | 10916 | ARM PAD FULL LENGTH 13 1/4" | 1 | 1 | |
| 15 | 3099-4 | TUBE PLUG - 3/4" | 4 | 1 | |
| 16 | 9024-4 | SCREW 1/4-20 X 2-1/4" HEX HD | 4 | 2 | |
| 17 | 9048-4 | SCREW 1/4-20 X 1-1/4" FLAT HD | 4 | 1 | |
| 18 | 9106-4 | SCREW 10-32 X 1-1/4" PHIL PN HD | 4 | 2 | |
| 19 | 9072-4 | LOCKNUT 1/4-20 NYLON | 4 | 2 | |
| 20 | 9073-4 | LOCKNUT 1/4-20 NYLON-THIN | 4 | 1 | |
| 21 | 9074-4 | WASHER 1/4" FLAT 1/2" OD | 4 | 6 | |
| 22a | 18123-L | DL PST F/U ARM RCVR ASSY RR L | 1 | 1 | INCLUDES POS. 8-9a, 11-12, 16-17, 20-21 |
| 22b | 18123-R | DL PST F/U ARM RCVR ASSY RR R | 1 | 1 | INCLUDES POS. 8-9b, 11-12, 16-17, 20-21 |
| 22 | 18123-2 | DL PST F/U ARM RCVR ASSY RR PR | 2 | 1 | INCLUDES POS. 8-9a, 9b 11-12, 16-17, 20-21 |
| 23a | 18124-L | DL PST F/U ARM RCVR FRT/ RR L | 1 | 1 | INCLUDES POS. 8-9a, 10-12, 16-17, 20-21 |
| 23b | 18124-R | DL PST F/U ARM RCVR FRT/ RR R | 1 | 1 | INCLUDES POS. 8-9b, 10-12, 16-17, 20-21 |
| 23 | 18124-2 | DL PST F/U ARM RCVR FR/RR PR | 2 | 1 | INCLUDES POS. 8-9a, 9b 10-12, 16-17, 20-21 |

Axle Components



See Pages 104-108 for foot and hand activated braking system axle components

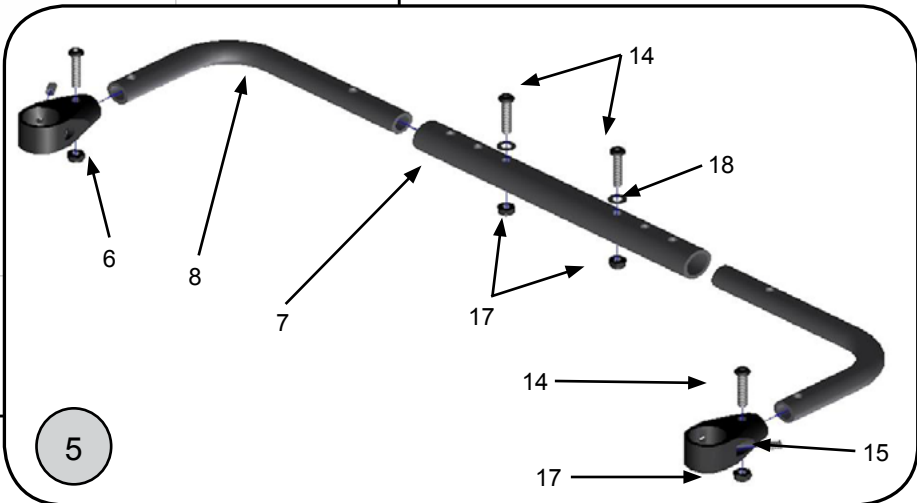
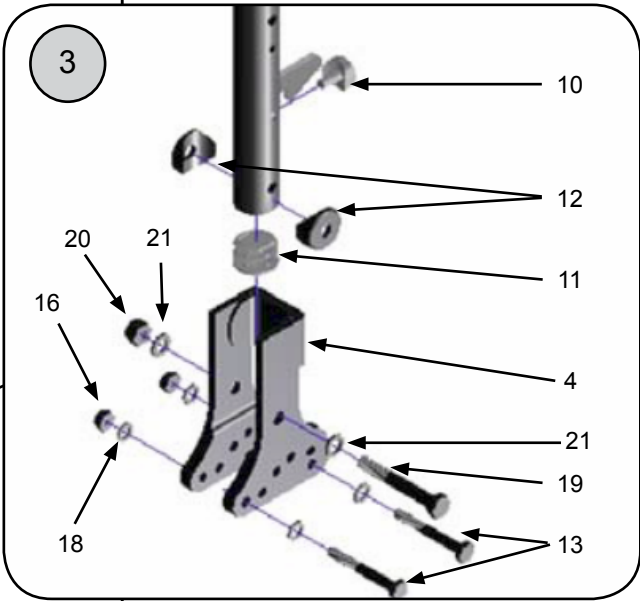
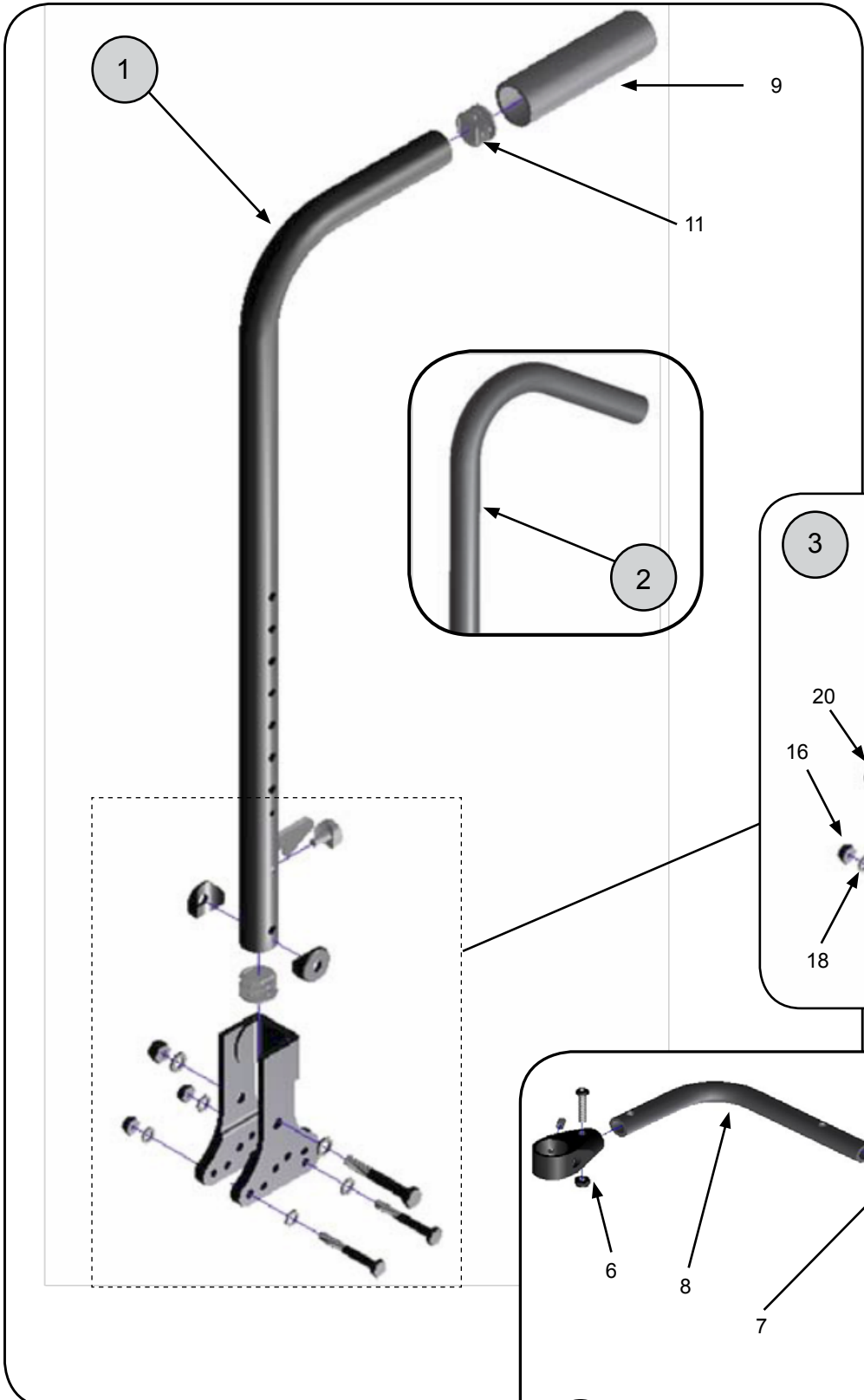


Axle Components (cont.)

| POS. | ITEM # | DESCRIPTION | QTY | ASSY | NOTES: |
|------|---------|--------------------------------|-----|------|---------------------------------------|
| 1a | 18001-L | NXT AXLE PLATE ASSY COMPL L | 1 | 1 | INCLUDES POS. 2a, 3-12 |
| 1b | 18001-R | NXT AXLE PLATE ASSY COMPL R | 1 | 1 | INCLUDES POS. 2b, 3-12 |
| 1 | 18001-2 | NXT AXLE PLATE ASSY COMPL PR | 2 | 1 | INCLUDES POS. 2a, 2b, 3-12 |
| 2 | 18000-2 | NXT AXLE PLATE WELDED PR | 2 | 1 | |
| 2a | 18000-L | NXT AXLE PLATE WELDED L | 1 | 1 | |
| 2b | 18000-R | NXT AXLE PLATE WELDED R | 1 | 1 | |
| 3 | 18002-1 | NXT AXLE PLATE MTG BRKT | 1 | 1 | |
| 4 | 18003-1 | NXT AXLE PLATE MTG BRKT CLMP | 1 | 1 | |
| 5 | 4001 | AXLE Q/R 4-1/2" X 1/2" STD | 1 | 1 | STD FOR ALL WHEELS EXCLUDING HUB LOCK |
| 6 | 2003 | DOUBLE LOCK AXLE RECEIVER | 1 | 1 | |
| 7 | 1999A | AXLE RECEIVER SPACER | 1 | 1 | |
| 8 | 9023-4 | SCREW 1/4-20 X 2" HEX HEAD | 4 | 2 | |
| 9 | 9024-4 | SCREW 1/4-20 X 2-1/4" HEX HD | 4 | 1 | |
| 10 | 9062-4 | SCREW 1/4-20 X 1 1/4" SKT HEAD | 4 | 2 | |
| 11 | 9073-4 | LOCKNUT 1/4-20 NYLON-THIN | 4 | 3 | |
| 12 | 9074-4 | WASHER 1/4" FLAT 1/2" OD | 4 | 6 | |
| 13 | 9092-4 | LOCKNUT 3/4-16 HEX JAM | 4 | 1 | |

Back Canes & Components

See Appendix Page 141
for Back Angle Adjustment
Matrix

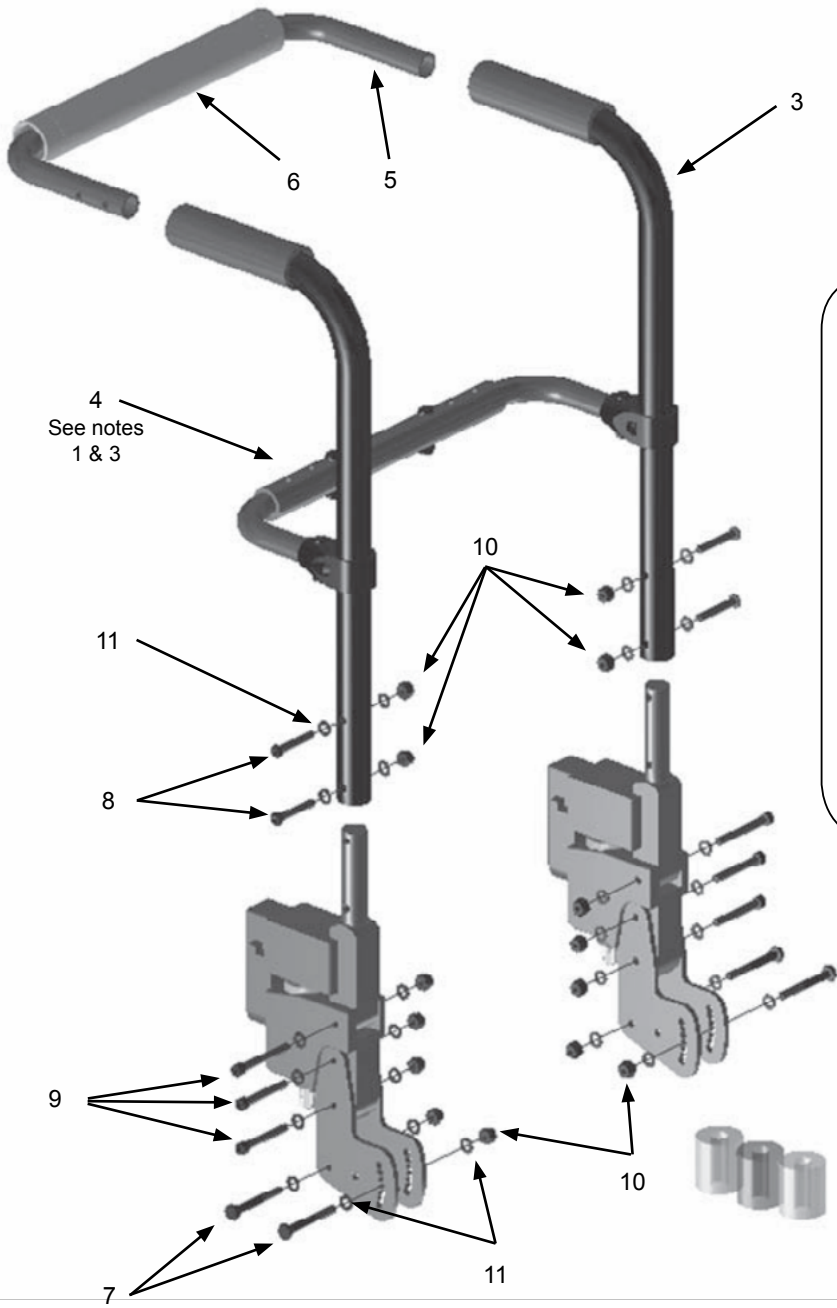


Back Canes & Components (cont.)

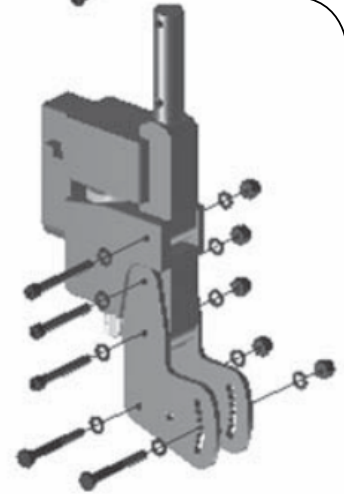
| POS. | ITEM # | DESCRIPTION | QTY | ASSY | NOTES: |
|------|---------|---------------------------------|-----|------|--------------------------------------|
| 1a | 13200-1 | BK PST STD 90 DEG BND SHT 19" | 1 | 1 | INCLUDES POS. 9-11 ONLY |
| 1a | 13200-2 | BK PST STD 90 DEG BND SHT 19" | 2 | 1 | INCLUDES POS. 9-11 ONLY |
| 1b | 13201-1 | BK PST STD 90 DEG BND MED 23" | 1 | 1 | INCLUDES POS. 9-11 ONLY |
| 1b | 13201-2 | BK PST STD 90 DEG BND MED 23" | 2 | 1 | INCLUDES POS. 9-11 ONLY |
| 1c | 13202-1 | BK PST STD 90 DEG BND TL 26" | 1 | 1 | INCLUDES POS. 9-11 ONLY |
| 1c | 13202-2 | BK PST STD 90 DEG BND TL 26" | 2 | 1 | INCLUDES POS. 9-11 ONLY |
| 2a | 13203-1 | BK PST ERGO BND SHORT 19" | 1 | 1 | INCLUDES POS. 9-11 ONLY |
| 2a | 13203-2 | BK PST ERGO BND SHORT 19" | 2 | 1 | INCLUDES POS. 9-11 ONLY |
| 2b | 13204-1 | BK PST ERGO BND MED 23" | 1 | 1 | INCLUDES POS. 9-11 ONLY |
| 2b | 13204-2 | BK PST ERGO BND MED 23" | 2 | 1 | INCLUDES POS. 9-11 ONLY |
| 2c | 13205-1 | BK PST ERGO BND TALL 26" | 1 | 1 | INCLUDES POS. 9-11 ONLY |
| 2c | 13205-2 | BK PST ERGO BND TALL 26" | 2 | 1 | INCLUDES POS. 9-11 ONLY |
| 3 | 18005-1 | BACK CANE RECEIVER ASSEMBLY | 1 | 1 | INCLUDES POS. 4, 12-13, 16, 18-21 |
| 3 | 18005-2 | BACK CANE RECEIVER ASSEMBLY | 2 | 1 | INCLUDES POS. 4, 12-13, 16, 18-21 |
| 4 | 18004-1 | BACK CANE RECEIVER BRACKET | 1 | 1 | |
| 4 | 18004-2 | BACK CANE RECEIVER BRACKET | 2 | 1 | |
| 5a | 17050-N | RIGIDIZING ASSEMBLY - 10-14W | 1 | 1 | INCLUDES POS. 6, 7a, 8, 14-15, 17-18 |
| 5b | 17050-M | RIGIDIZING ASSEMBLY - 12-16W | 1 | 1 | INCLUDES POS. 6, 7b, 8, 14-15, 17-18 |
| 5c | 17050-W | RIGIDIZING ASSEMBLY - 14-18W | 1 | 1 | INCLUDES POS. 6, 7c, 8, 14-15, 17-18 |
| 5d | 17050-X | RIGIDIZING ASSEMBLY - 18-22W | 1 | 1 | INCLUDES POS. 6, 7d, 8, 14-15, 17-18 |
| 6 | 16049-1 | RIGIDIZING BKRST BAR MNT FITNG | 1 | 1 | |
| 7a | 17051-N | RIGIDIZING CENTER TUBE- 10-14W | 1 | 1 | 6" LONG, ADJUSTS 10-14W |
| 7b | 17051-M | RIGIDIZING CENTER TUBE - 12-16W | 1 | 1 | 8" LONG, ADJUSTS 12-16W |
| 7c | 17051-W | RIGIDIZING CENTER TUBE - 14-18W | 1 | 1 | 10" LONG, ADJUSTS 14-18W |
| 7d | 17051-X | RIGIDIZING CENTER TUBE - 18-22W | 1 | 1 | 14" LONG, ADJUSTS 18-22W |
| 8 | 17054-1 | RIGIDIZER SIDE TUBE | 1 | 2 | |
| 9 | 1998 | FOAM GRIP 1" ID X 4.5" | 1 | 1 | |
| 10 | 5023-4 | STEM BMPR FOR BACKPOST & ARMS | 4 | 1 | |
| 11 | 9000-4 | TUBE PLUG - 1" | 4 | 1 | |
| 12 | 9005-2 | PLSTIC SDL 1" FOR 5/16" SCREW | 2 | 1 | |
| 13 | 9024-4 | SCREW 1/4-20 X 2 1/4" HEX HEAD | 4 | 2 | |
| 14 | 9035-4 | SCREW 1/4-20 X 1-1/2" BUTTON | 4 | 1 | |
| 15 | 9038A-4 | SCREW 1/4-20 X 3/8" SET SCREW | 4 | 1 | |
| 16 | 9072-4 | LOCKNUT 1/4-20 NYLON | 4 | 2 | |
| 17 | 9073-4 | LOCKNUT 1/4-20 NYLON-THIN | 4 | 1 | |
| 18 | 9074-4 | WASHER 1/4" FLAT | 4 | 2 | |
| 19 | 9081-4 | SCREW 5/16-18 X 2 1/4" HEX HEAD | 4 | 1 | |
| 20 | 9088-4 | LOCKNUT 5/16-18 NYLON-THIN | 4 | 1 | |
| 21 | 9090-4 | WASHER 5/16" FLAT, THIN | 4 | 2 | |

Dynamic Rocker Back

1



2



See pages 31-32 for individual components available directly from Seating Dynamics

Elastomers:

- Yellow - Soft
- Clear - Medium
- Blue - Firm
- Green - X-Firm

Comes With medium installed

Notes:

1. Kit (rigid frames only) includes Dynamic Rocker Back, all mounting hardware, choice of back canes, a rigidizing bar, a push handle extension, a padded cover for the extension and 6 additional impact elastomers (Soft, Firm and X-Firm - Medium is installed).
2. Kit includes Dynamic Rocker Back, all mounting hardware, choice of back canes, a push handle extension, a padded cover for the extension and 6 additional impact elastomers (Soft, Firm and X-Firm - Medium is installed).
3. See page 26 (Back Canes & Components) for rigidizer parts.

Dynamic Rocker Back (cont.)

| POS. | ITEM # | DESCRIPTION | QTY | ASSY | NOTES: |
|------|----------|--------------------------------|-----|------|---|
| 1a | 10630-2 | DRB RETRO KIT RIGID FRAME | 1 | 1 | INCLUDES POS. 4 RIGIDIZING BAR / SEE NOTE 1 |
| 1b | 10631-2 | DRB RETRO KIT FOLDING FRAME | 1 | 1 | SEE NOTE 2 |
| 2 | 10632-2 | DYNAMIC ROCKER INTERFACE BRK | 2 | 1 | SOLD AS PAIR ONLY / SEE SEATING DYNAMICS FOR REPLACEMENT COMPONENTS |
| 3 | 10633-1 | BACK CANE 90 DEG DRB SHORT 19H | 1 | 2 | INCLUDES HAND GRIP (P/N: 1998) |
| 3 | 10633-2 | BACK CANE 90 DEG DRB SHORT 19H | 2 | 1 | INCLUDES HAND GRIP (P/N: 1998) |
| 3 | 10634-1 | BACK CANE 90 DEG DRB MED 23H | 1 | 2 | INCLUDES HAND GRIP (P/N: 1998) |
| 3 | 10634-2 | BACK CANE 90 DEG DRB MED 23H | 2 | 1 | INCLUDES HAND GRIP (P/N: 1998) |
| 3 | 10635-1 | BACK CANE 90 DEG DRB TALL 26H | 1 | 2 | INCLUDES HAND GRIP (P/N: 1998) |
| 3 | 10635-2 | BACK CANE 90 DEG DRB TALL 26H | 2 | 1 | INCLUDES HAND GRIP (P/N: 1998) |
| 3 | 10636-1 | BACK CANE ERGO DRB SHORT 19H | 1 | 2 | INCLUDES HAND GRIP (P/N: 1998) |
| 3 | 10636-2 | BACK CANE ERGO DRB SHORT 19H | 2 | 1 | INCLUDES HAND GRIP (P/N: 1998) |
| 3 | 10637-1 | BACK CANE ERGO DRB MED 23H | 1 | 2 | INCLUDES HAND GRIP (P/N: 1998) |
| 3 | 10637-2 | BACK CANE ERGO DRB MED 23H | 2 | 1 | INCLUDES HAND GRIP (P/N: 1998) |
| 3 | 10638-1 | BACK CANE ERGO DRB TALL 26H | 1 | 2 | INCLUDES HAND GRIP (P/N: 1998) |
| 3 | 10638-2 | BACK CANE ERGO DRB TALL 26H | 2 | 1 | INCLUDES HAND GRIP (P/N: 1998) |
| 4a | 17050-N | RIGIDIZING ASSEMBLY - 10-14W | 1 | 1 | |
| 4b | 17050-M | RIGIDIZING ASSEMBLY - 12-16W | 1 | 1 | |
| 4c | 17050-W | RIGIDIZING ASSEMBLY - 14-18W | 1 | 1 | |
| 4d | 17050-X | RIGIDIZING ASSEMBLY - 18-22W | 1 | 1 | |
| 5 | 18111-10 | PSH HNDL EXT ADJ / REM 10-12W | 1 | 1 | |
| 5 | 18111-11 | PSH HNDL EXT ADJ / REM 11-13W | 1 | 1 | |
| 5 | 18111-12 | PSH HNDL EXT ADJ / REM 12-14W | 1 | 1 | |
| 5 | 18111-13 | PSH HNDL EXT ADJ / REM 13-15W | 1 | 1 | |
| 5 | 18111-14 | PSH HNDL EXT ADJ / REM 14-16W | 1 | 1 | |
| 5 | 18111-15 | PSH HNDL EXT ADJ / REM 15-17W | 1 | 1 | |
| 5 | 18111-16 | PSH HNDL EXT ADJ / REM 16-18W | 1 | 1 | |
| 5 | 18111-18 | PSH HNDL EXT ADJ / REM 18W | 1 | 1 | |
| 5 | 18111-19 | PSH HNDL EXT ADJ / REM 19W | 1 | 1 | |
| 5 | 18111-20 | PSH HNDL EXT ADJ / REM 20W | 1 | 1 | |
| 6 | 10912-1 | PUSH / STROLLER HNDL WRAP PAD | 1 | 1 | |
| 7 | 9023-4 | SCREW 1/4-20 X 2" HEX HEAD | 4 | 4 | |
| 8 | 9035-4 | SCREW 1/4-20 X 1-1/2" BUTTON | 4 | 4 | |
| 9 | 9065-4 | SCREW 1/4-20 X 2" SOCKET HD | 4 | 2 | |
| 10 | 9072-4 | LOCKNUT 1/4-20 NYLON | 4 | 14 | |
| 11 | 9074-4 | WASHER 1/4" FLAT 1/2" OD | 4 | 28 | |

Dynamic Rocker Back (cont.)



Freedom Designs, Inc. Dynamic Rocker Back Retro Fit Kits CGX & NXT Wheelchairs

Dealer _____ Location: _____ Contact: _____

Quote Order PO Number _____

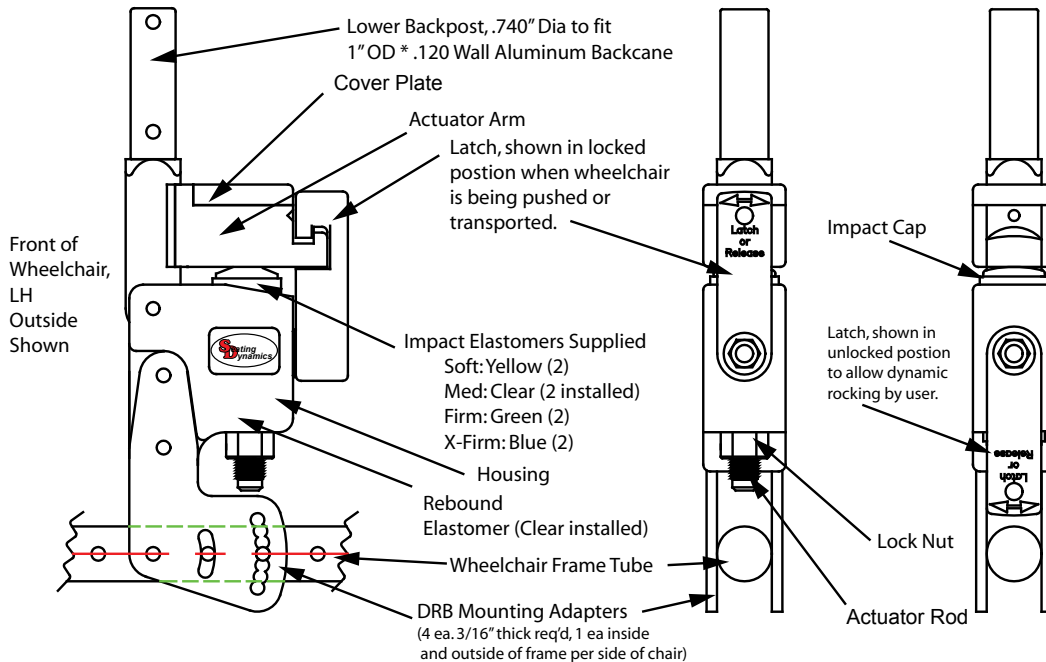
Serial number: _____ Marked For: _____

| PART NUMBER | | | RETAIL | DEALER |
|---|--|--------|-------------|------------|
| <input type="checkbox"/> 10630 | DYNAMIC ROCKER BACK RETRO KIT RIGID CGX OR NXT | 1 KIT | \$ 2,550.00 | \$1,530.00 |
| <input checked="" type="checkbox"/> KIT-10632 | DYNAMIC ROCKER BACK INTERFACE BRACKETS | 1 PAIR | | |
| | SELECT BACK HEIGHT (MEASURED FROM SEAT RAIL) | | | |
| <input type="checkbox"/> KIT-10633 | BACK CANES 90 DEG. DRB SHORT 19H | 2 EACH | | |
| <input type="checkbox"/> KIT-10634 | BACK CANES 90 DEG. DRB MED 23H | 2 EACH | | |
| <input type="checkbox"/> KIT-10635 | BACK CANES 90 DEG. DRB TALL 26H | 2 EACH | | |
| <input type="checkbox"/> KIT-10636 | BACK CANES ERGO DRB SHORT 19H | | | |
| <input type="checkbox"/> KIT-10637 | BACK CANES ERGO DRB MED 23H | | | |
| <input type="checkbox"/> KIT-10638 | BACK CANES ERGO DRB TALL 26H | | | |
| | SELECT WIDTH | | | |
| <input type="checkbox"/> KIT-17050-N | RIGIDIZING ASSY 10-14W | 1 EACH | | |
| <input type="checkbox"/> KIT-17050-M | RIGIDIZING ASSY 12-16W | 1 EACH | | |
| <input type="checkbox"/> KIT-17050-W | RIGIDIZING ASSY 14-18W | 1 EACH | | |
| <input type="checkbox"/> KIT-17050-X | RIGIDIZING ASSY 18-22W | 1 EACH | | |
| <input checked="" type="checkbox"/> KIT-18111 | PUSH HANDLE EXTENSION WIDTH ADJUSTABLE / REMOVABLE | 1 EACH | | |
| <input checked="" type="checkbox"/> KIT-10912 | PUSH / STROLLER HANDLE WRAP (NEOPRENE) | 1 EACH | | |
| <hr/> | | | | |
| <input type="checkbox"/> 10631 | DYNAMIC ROCKER BACK RETRO KIT FOLDING NXT | 1 EACH | \$ 2,360.00 | \$1,416.00 |
| <input checked="" type="checkbox"/> KIT-10632 | DYNAMIC ROCKER BACK INTERFACE BRACKETS | 1 PAIR | | |
| | SELECT BACK HEIGHT (MEASURED FROM SEAT RAIL) | | | |
| <input type="checkbox"/> KIT-10633 | BACK CANES 90 DEG. DRB SHORT 19H | 2 EACH | | |
| <input type="checkbox"/> KIT-10634 | BACK CANES 90 DEG. DRB MED 23H | 2 EACH | | |
| <input type="checkbox"/> KIT-10635 | BACK CANES 90 DEG. DRB TALL 26H | 2 EACH | | |
| <input type="checkbox"/> KIT-10636 | BACK CANES ERGO DRB SHORT 19H | | | |
| <input type="checkbox"/> KIT-10637 | BACK CANES ERGO DRB MED 23H | | | |
| <input type="checkbox"/> KIT-10638 | BACK CANES ERGO DRB TALL 26H | | | |
| <input checked="" type="checkbox"/> KIT-18111 | PUSH HANDLE EXTENSION WIDTH ADJUSTABLE / REMOVABLE | 1 EACH | | |
| <input checked="" type="checkbox"/> KIT-10912 | PUSH / STROLLER HANDLE WRAP (NEOPRENE) | 1 EACH | | |

Dynamic Rocker Back (cont.)



Dynamic Rocker Back Installation Instructions For Freedom Designs NXT



**Tools Required: 3/16 Allen Wrench, 7/16 wrench or socket (Freedom hardware only)
5mm Allen Wrench, 10mm wrench or socket (Seating Dynamics hardware is metric)
Hacksaw, file or deburring tool.**

- Step 1: Remove original back canes and mounting brackets from the wheelchair.
Save back canes & hardware for reuse, discard original mounting brackets, they are not required with DRB.
- Step 2: Install DRB assembly on to the seat frame as shown above by aligning the mounting adapters to the appropriate holes in the frame for the seat depth required. Use original Freedom supplied 1/4" bolts, nuts and flat washers, 3 per side. Make certain that there is a flat washer between the bolt / nut and the DRB mounting adapters.
- Step 2a: The NXT has flat surfaces machined on the sides of the seat frame tube. Tighten the bolts and nuts to securely clamp the DRB mounting adapters to the seat frame. Seat to back angle adjustment is easily made by loosening the 2 forward bolts and removing the rear most bolt. Seat to back angle may adjusted to plus/minus 18° degrees in 6° increments. Securely tighten all bolts after making adjustments.
- Step 3: Shorten the NXT back canes by approximately 7.5", cutting the bottom of the tube to maintain the desired back height. Your cut should be 1/2" or slightly less below the center of a hole in order for the back cane holes to line up with the holes in the DRB lower backpost. Remember, measure twice, cut once!
- Step 4: Place the back canes over the DRB lower backpost and secure with the two bolts supplied with the DRB.
- Step 5: Install or reinstall any seating as required.

To Replace or Change Elastomers:

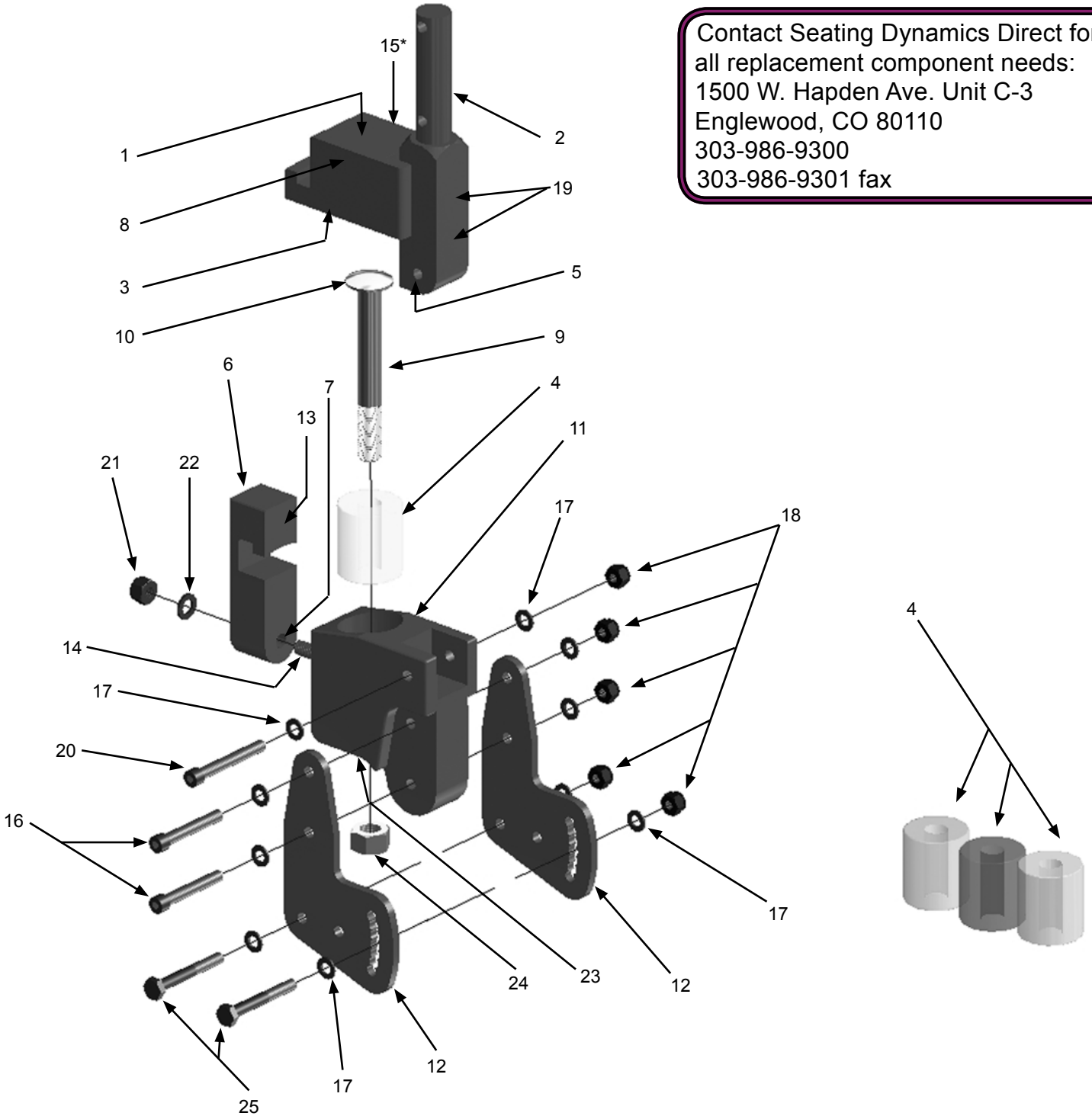
Additional tools required: 4mm Allen Wrench, 3/4" Open End Wrench

- Step 1: Remove the Lock Nut and flat washer from the Actuator Rod. The Rebound Elastomer may fall out of the pocket. Open the Latch.
- Step 2: Remove the 5mm socket head screws securing the cover plate of the actuator arm. At this point, lift the actuator rod up, removing it from the housing. The back is now free to fold forward, exposing the impact elastomer and pocket.
- Step 3: Remove the Impact Elastomer, remove the Impact Cap from the top of the Impact Elastomer and install on to the new Impact Elastomer.
- Step 4: Place the new Impact Elastomer into the pocket, return the back to an upright position, place the actuator rod through the actuator arm and elastomer. Place the Rebound Elastomer into its pocket, over the actuator rod. Return the Latch to the closed / latched position. Install and tighten the Lock Nut until it compresses the Rebound Elastomer so that the Latch operates freely.
- Step 5: Reinstall the Cover on to the Actuator Arm. Tighten the screws and check to make sure the latch swings freely and engages in the detent of the actuator arm. If it does not operate freely, adjust the Lock Nut as required, when properly adjusted you should be able to see a small amount of daylight between the interlocking surfaces of the Latch and Actuator Arm.

American Track Roadsters, Inc. 1500 W. Hampden Ave. # 3-C Englewood, CO 80110 303-986-9300 f 303-986-9301

Dynamic Rocker Back OEM Parts

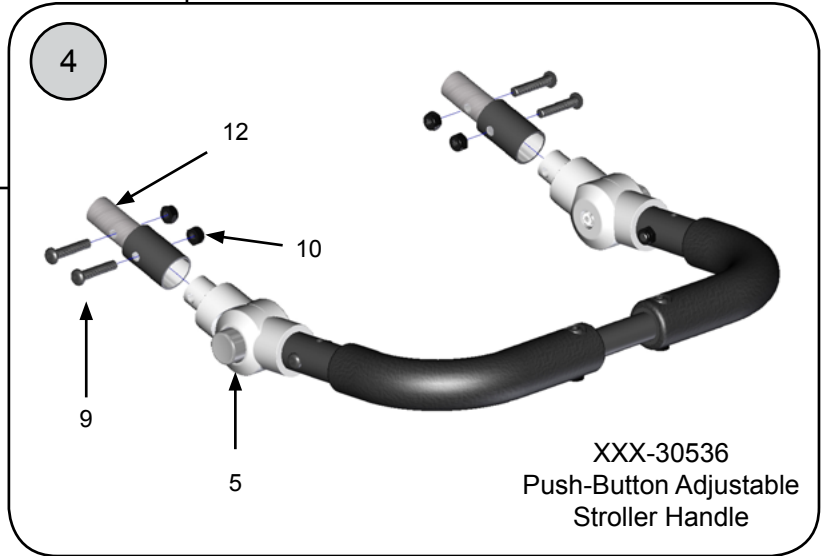
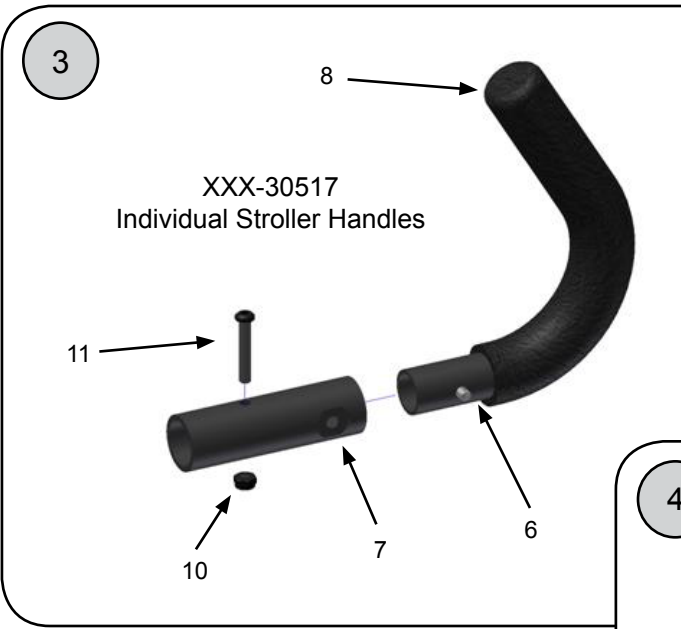
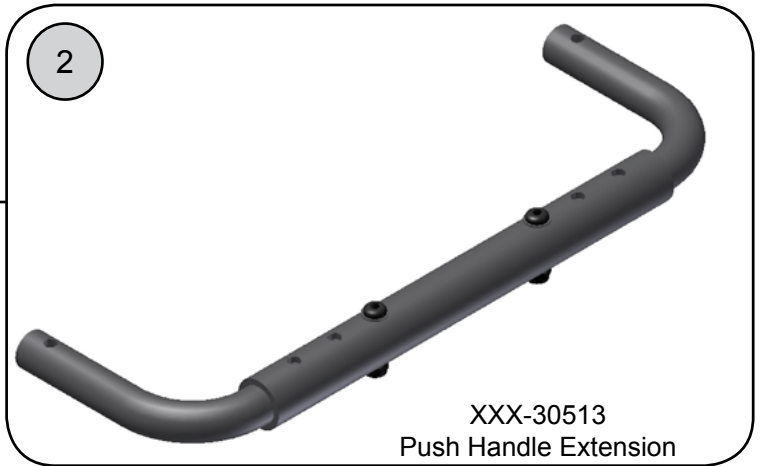
Contact Seating Dynamics Direct for all replacement component needs:
 1500 W. Hapden Ave. Unit C-3
 Englewood, CO 80110
 303-986-9300
 303-986-9301 fax



Dynamic Rocker Back OEM Parts (cont.)

| POS. | ITEM # | DESCRIPTION | QTY | ASSY | NOTES: |
|------|--------------|--|-----|------|-----------|
| 1 | 100311 | Bearing, Idler Wheel | | 4 | NOT SHOWN |
| 2 | 502051-003-G | DRB Backpost Lug - .740 | | 2 | |
| 3 | 502052-G | DRB Actuator Arm | | 2 | |
| 4 | 502055-001-A | DRB Impact Spring - Yellow 50a Polyurethane | | 2 | |
| 4 | 502055-002-A | DRB Impact Spring - Natural 60a Polyurethane | | 4 | |
| 4 | 502055-003-A | DRB Impact Spring - Green 80a Polyurethane | | 2 | |
| 4 | 502055-004-A | DRB Impact Spring - Blue 70a Polyurethane | | 2 | |
| 5 | 502056-D | DRB Backpost Lug Bushing | | 4 | |
| 6 | 502057-E | DRB Latch Plate | | 2 | |
| 7 | 502058-C | DRB Latch Plate Bushing | | 2 | |
| 8 | 502059-C | DRB Actuator Arm Cover Plate | | 2 | |
| 9 | 502060-B | DRB Actuator Shaft | | 2 | |
| 10 | 502062-B | DRB Impact Spring Cap | | 2 | |
| 11 | 502073-001-E | DRB Universal Housing | | 2 | |
| 12 | 502074-001-B | DRB Universal Bracket - HD | | 4 | |
| 13 | 502076 | M8 x 1.25 Steel Ball Plunger, Locking | | 2 | |
| 14 | 502077-002 | Socket Set Screw / M8 x 1.25 x 40mm / Black Oxide | | 2 | |
| 15 | F0509 | M5x12 SHCS Zinc 8.8 | | 8 | |
| 16 | F0523 | 1/4-20 x 2" SOCKET HD | | 4 | |
| 17 | F0601 | M6 Flat Washer, Zinc | | 4 | |
| 18 | F0605 | M6 Lock Nut, Zinc | | 2 | |
| 19 | F0625 | M6x30 SHCS, Zinc | | 4 | |
| 20 | F0632 | M6x50 SHCS, Zinc | | 2 | |
| 21 | F0802 | M8x1.25 Nylon Lock Nut Zinc Plated | | 2 | |
| 22 | F0803 | M8 Flat Washer Plated | | 2 | |
| 23 | F1201 | M12 Std Flat Washer - Zinc | | 2 | |
| 24 | F2002 | 1/2"x20 ESNA Lock Nut - Thin | | 2 | |
| 25 | 9023-4 | 1/4-20 x 2" HEX HEAD | | 4 | |

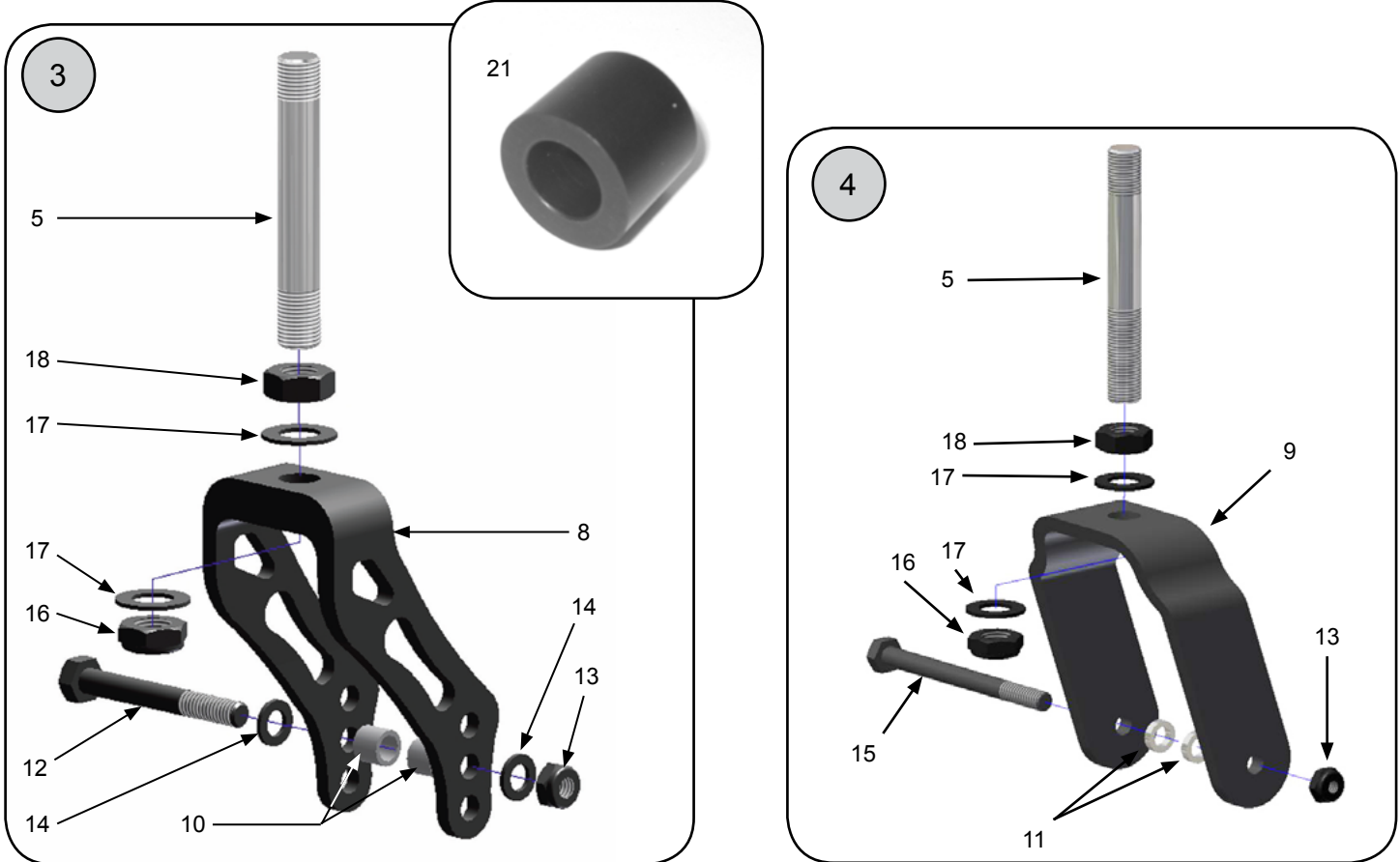
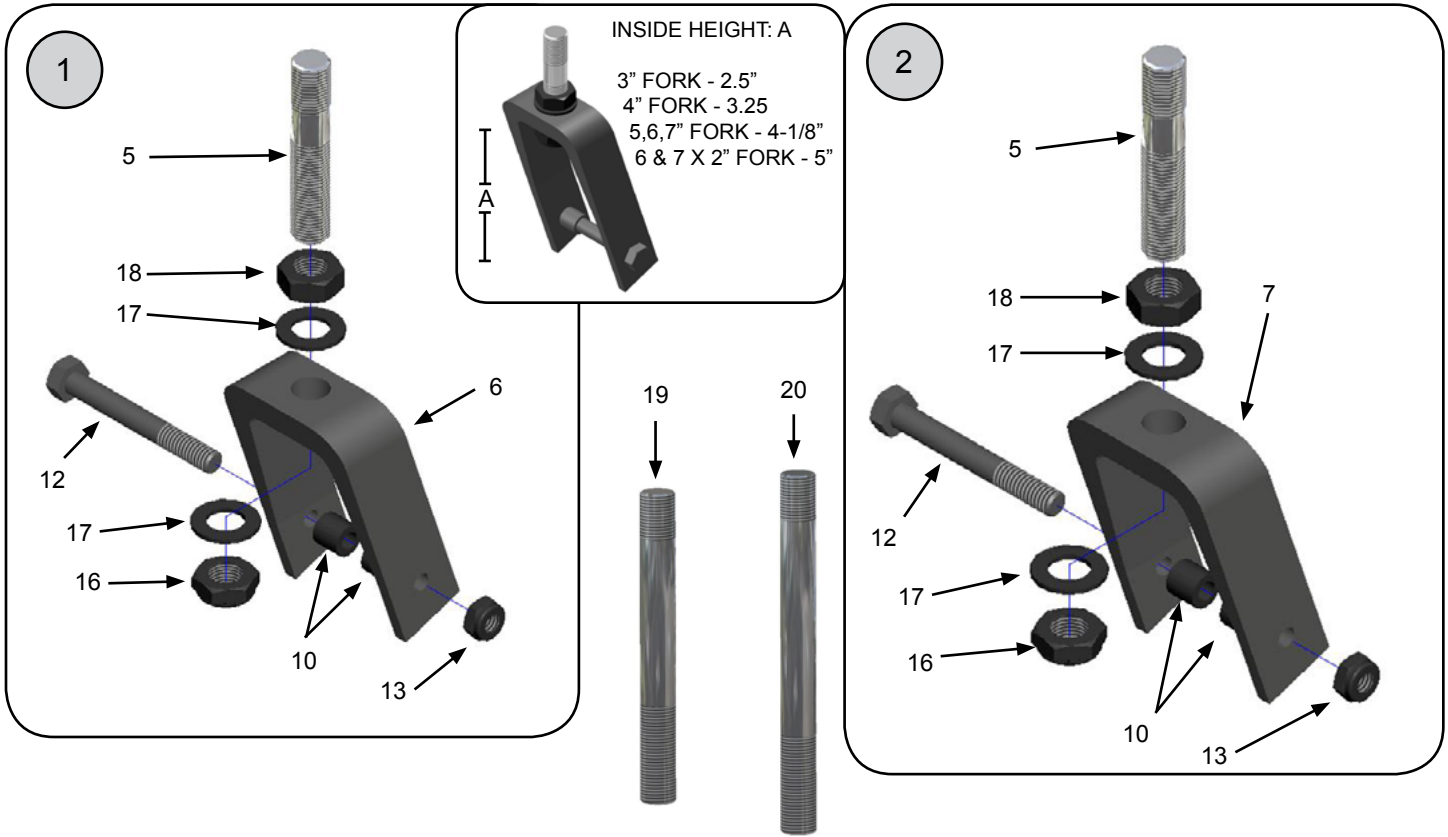
Stroller & Push Handle Extensions



Stroller & Push Handle Extensions (cont.)

| POS. | ITEM # | DESCRIPTION | QTY | ASSY | NOTES: |
|------|----------|--------------------------------|-----|------|--------------------|
| ① | 18110-10 | STRLR HNDL EXT ADJ /REM 10-12W | 1 | 1 | ADJUSTS 10-12W |
| ① | 18110-11 | STRLR HNDL EXT ADJ /REM 11-13W | 1 | 1 | ADJUSTS 11-13W |
| ① | 18110-12 | STRLR HNDL EXT ADJ /REM 12-14W | 1 | 1 | ADJUSTS 12-14W |
| ① | 18110-13 | STRLR HNDL EXT ADJ /REM 13-15W | 1 | 1 | ADJUSTS 13-15W |
| ① | 18110-14 | STRLR HNDL EXT ADJ /REM 14-16W | 1 | 1 | ADJUSTS 14-16W |
| ① | 18110-15 | STRLR HNDL EXT ADJ /REM 15-17W | 1 | 1 | ADJUSTS 15-17W |
| ① | 18110-16 | STRLR HNDL EXT ADJ /REM 16-18W | 1 | 1 | ADJUSTS 16-18W |
| ① | 18110-18 | STRLR HNDL EXT ADJ /REM 18W | 1 | 1 | FIXED 18W |
| ① | 18110-19 | STRLR HNDL EXT ADJ /REM 19W | 1 | 1 | FIXED 19W |
| ① | 18110-20 | STRLR HNDL EXT ADJ /REM 20W | 1 | 1 | FIXED 20W |
| ② | 18111-10 | PSH HNDL EXT ADJ / REM 10-12W | 1 | 1 | ADJUSTS 10-12W |
| ② | 18111-11 | PSH HNDL EXT ADJ / REM 11-13W | 1 | 1 | ADJUSTS 11-13W |
| ② | 18111-12 | PSH HNDL EXT ADJ / REM 12-14W | 1 | 1 | ADJUSTS 12-14W |
| ② | 18111-13 | PSH HNDL EXT ADJ / REM 13-15W | 1 | 1 | ADJUSTS 13-15W |
| ② | 18111-14 | PSH HNDL EXT ADJ / REM 14-16W | 1 | 1 | ADJUSTS 14-16W |
| ② | 18111-15 | PSH HNDL EXT ADJ / REM 15-17W | 1 | 1 | ADJUSTS 15-17W |
| ② | 18111-16 | PSH HNDL EXT ADJ / REM 16-18W | 1 | 1 | ADJUSTS 16-18W |
| ② | 18111-18 | PSH HNDL EXT ADJ / REM 18W | 1 | 1 | FIXED 18W |
| ② | 18111-19 | PSH HNDL EXT ADJ / REM 19W | 1 | 1 | FIXED 19W |
| ② | 18111-20 | PSH HNDL EXT ADJ / REM 20W | 1 | 1 | FIXED 20W |
| ③ | 10620-2 | INDIV 2 PC STRLR HNDL EXT ASSY | 1 | 1 | INCLUDES POS. 6-10 |
| ④ | 10625-14 | PSH BTN ADJ STRLR HND 14-18W | 1 | 1 | WIDTH ADJ 14-18W |
| ④ | 10625-18 | PSH BTN ADJ STRLR HND 18-22W | 1 | 1 | WIDTH ADJ 18-22W |
| 5 | 10626-1 | REPL BTN-PSH BTN ADJ STR HNDL | 1 | 2 | |
| 6 | 10621-1 | INDIV 2PC STRLR HNDL TUBE ONLY | 1 | 2 | INCLUDES POS. 8 |
| 7 | 10622-1 | INDIV 2PC STRLR HNDL MTG TUBE | 1 | 2 | |
| 8 | 5020 | FOAM GRIP 1" ID X 6" LONG | 1 | 2 | |
| 9 | 9034-4 | SCREW 1/4-20 X 1-1/4" BHCS | 4 | 2 | |
| 10 | 9073-4 | LOCKNUT 1/4-20 NYLON-THIN | 4 | 2 | |
| 11 | 9035-4 | SCREW 1/4-20 X 1-1/2" BUTTON | 4 | 2 | |
| 12 | 10627-1 | PUSH BTTN STRLR HNDL ADAPTER | 1 | 2 | |

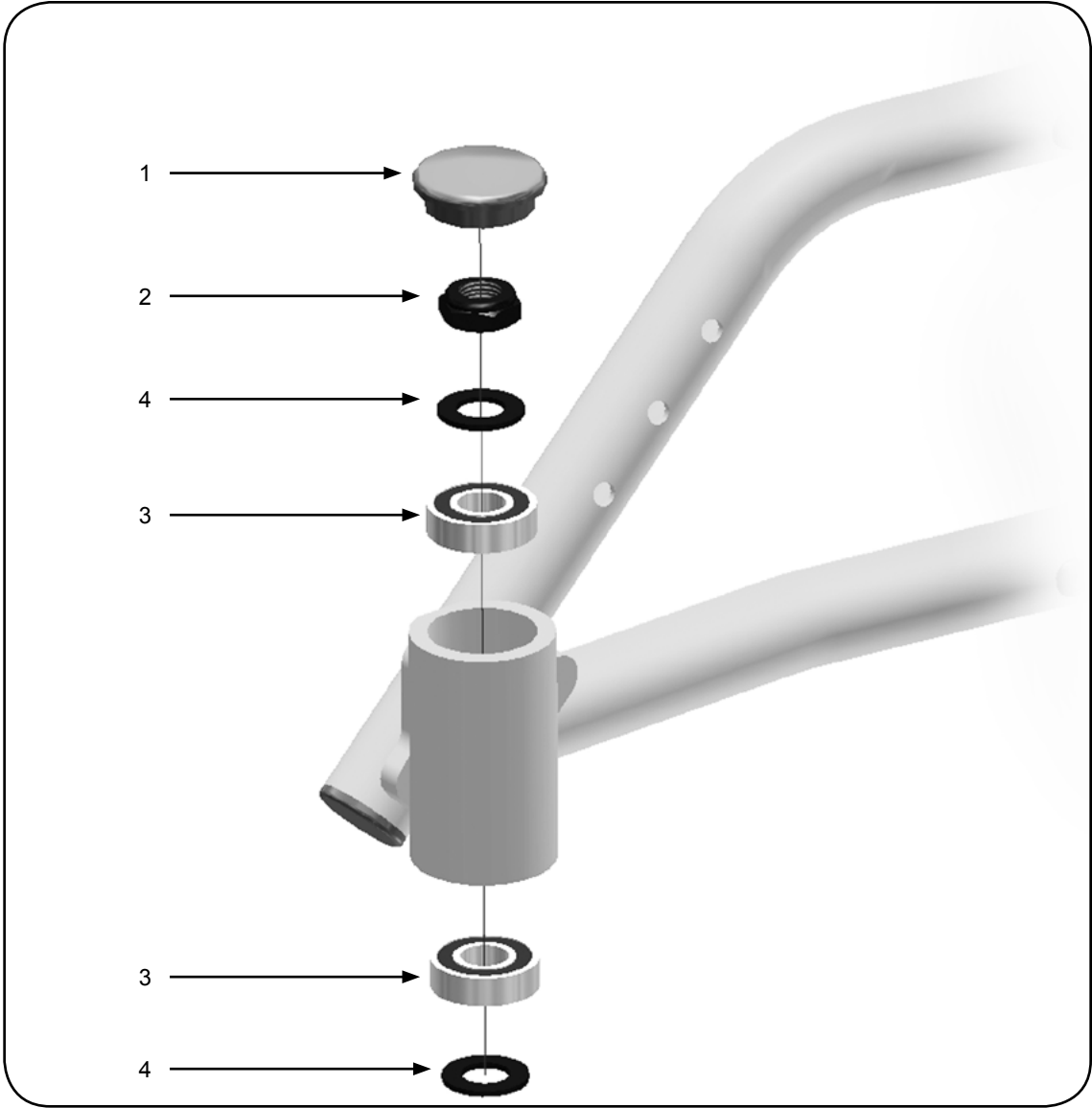
Caster Components—Forks



Caster Components—Forks (cont.)

| POS. | ITEM # | DESCRIPTION | QTY | ASSY | NOTES: |
|------|---------|--------------------------------|-----|------|--------------------------------------|
| 1 | 10044-1 | FORK ASSEMBLY - 3" CASTER | 1 | 1 | INCLUDES POS. 5-6, 10, 12-14, 16-18 |
| 1 | 10044-2 | FORK ASSEMBLY - 3" CASTER | 2 | 1 | INCLUDES POS. 5-6, 10, 12-14, 16-18 |
| 2 | 10052-1 | FORK ASSEMBLY - 4" CASTER | 1 | 1 | INCLUDES POS. 5, 7, 10, 12-14, 16-18 |
| 2 | 10052-2 | FORK ASSEMBLY - 4" CASTER | 2 | 1 | INCLUDES POS. 5, 7, 10, 12-14, 16-18 |
| 3 | 10053-1 | FORK ASSY MULTI POSITION FORK | 1 | 1 | INCLUDES POS. 5, 8, 10, 12-14, 16-18 |
| 3 | 10053-2 | FORK ASSY MULTI POSITION FORK | 2 | 1 | INCLUDES POS. 5, 8, 10, 12-14, 16-18 |
| 4 | 10054-1 | FORK ASSY 6" & 7" X 2" CASTER | 1 | 1 | INCLUDES POS. 5, 9, 11, 13-16, 18 |
| 4 | 10054-2 | FORK ASSY 6" & 7" X 2" CASTER | 2 | 1 | INCLUDES POS. 5, 9, 11, 13-16, 18 |
| 5 | 2010A | CASTER FORK STEM - 3-5/8" | 1 | 1 | STANDARD FORK STEM |
| 6 | 2011 | FORK ONLY 3" CASTER | 1 | 1 | 2.5" INSIDE HEIGHT |
| 7 | 2011C | FORK ONLY 4" CASTER | 1 | 1 | 3.25" INSIDE HEIGHT |
| 8 | 2011D | FORK ONLY MULTI POSITION FORK | 1 | 1 | 4-1/8" INSIDE HEIGHT |
| 9 | 2011B | FORK ONLY 6" & 7" X 2" CASTER | 1 | 1 | 5" INSIDE HEIGHT |
| 10 | 2013-4 | CASTER AXLE SPACER 5/16 X .380 | 4 | 2 | |
| 11 | 2013A-4 | CASTER AXLE SPACER 5/16 X .149 | 4 | 2 | |
| 12 | 9082-2 | SCREW 5/16-18 X 2-1/2" HEX HD | 2 | 1 | |
| 13 | 9088-4 | LOCKNUT 5/16-18 NYLOC-THIN | 4 | 1 | |
| 14 | 9114-4 | WASHER 1/2" FLAT | 4 | 1 | |
| 15 | 9084-1 | SCREW 5/16-18 X 3-1/2" HEX HD | 1 | 1 | |
| 16 | 9085-4 | LOCKNUT 1/2-20 NYLOC-THIN | 4 | 1 | |
| 17 | 9089-4 | WASHER 5/16" FLAT | 4 | 1 | |
| 18 | 9091-4 | LOCKNUT 1/2" HEX JAM | 4 | 1 | |
| 19 | 2010E | CASTER FORK STEM 3-3/4" CE MRK | 1 | 1 | FOR CHAIRS WITH CE MARKING |
| 20 | 2010F | CASTER FORK STEM - 4-1/2" | 1 | 1 | NEEDED FOR 3/4" FORK STEM SPACER |
| 21 | 2010G | SPACER - CASTER FORK STEM 3/4" | 1 | 1 | NEEDED FOR 4-1/2" FORK STEM |

Caster Components—Mounting



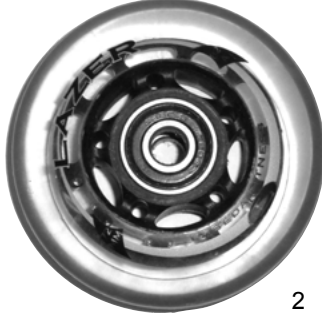
| POS. | ITEM # | DESCRIPTION | QTY | ASSY | NOTES: |
|------|--------|---------------------------|-----|------|--------|
| 1 | 1720 | CAP - CASTER HOUSING | 1 | 2 | |
| 2 | 9085-4 | LOCKNUT 1/2-20 NYLOC-THIN | 4 | 1 | |
| 3 | 2009 | BEARING - 1 1/8" X 1/2" | 1 | 1 | |
| 4 | 9114-4 | WASHER 1/2" FLAT | 4 | 1 | |

Caster Components—Wheels & Bearings

3"



1



2

4"



Style Discontinued
Spring 2013

3

5"



4



Style Discontinued
Spring 2013

5



6



Style Discontinued
Spring 2013



7



Style Discontinued
Spring 2013

8

Continued Next Page

Caster Components—Wheels & Bearings

6"



Style Discontinued
Spring 2013



9



Style Discontinued
Spring 2013



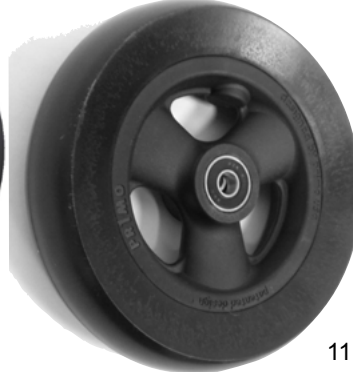
Style Discontinued
Spring 2013



10



Style Discontinued
Spring 2013



11



12

7"



13



14



15



16



17

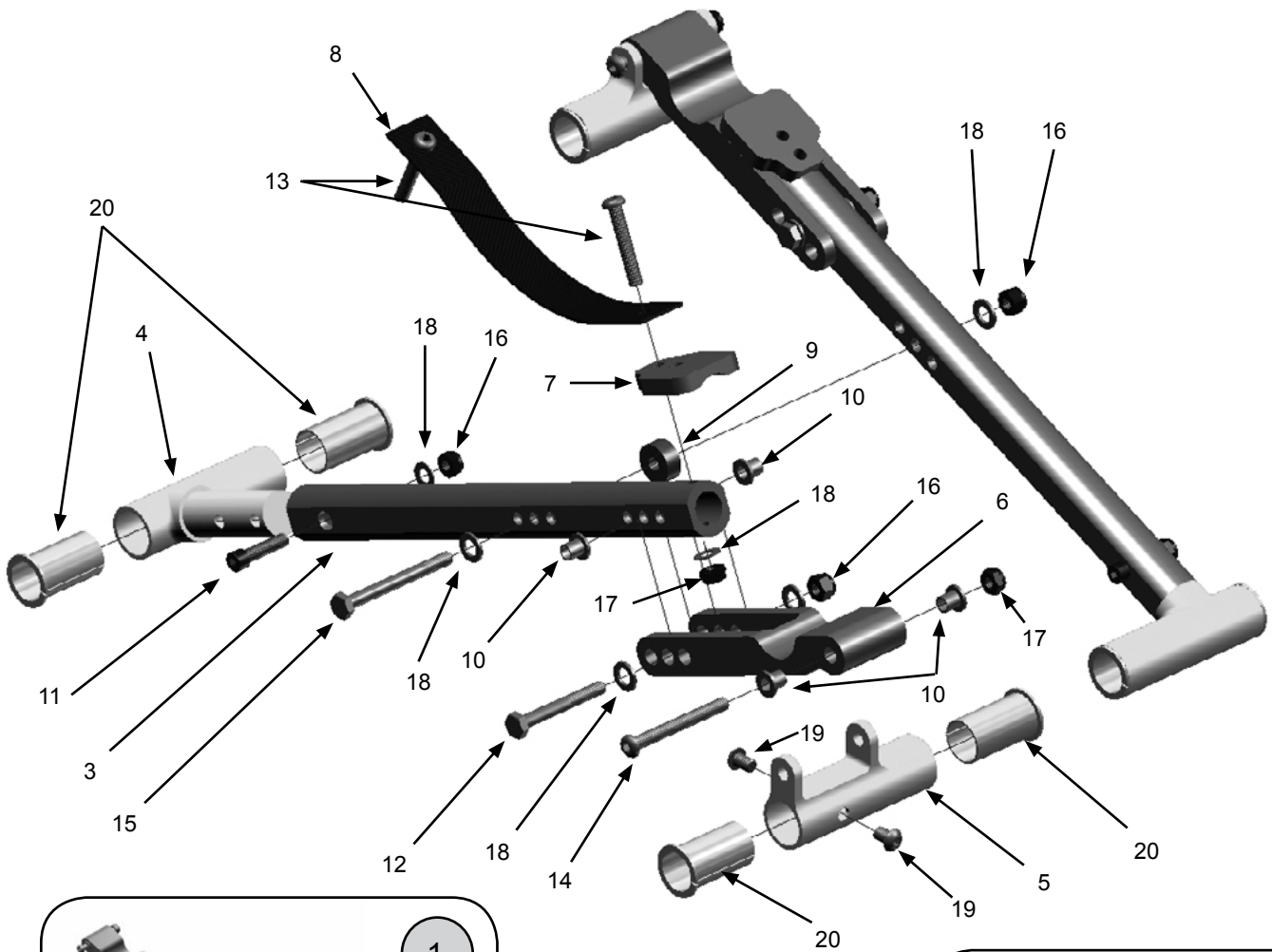


18

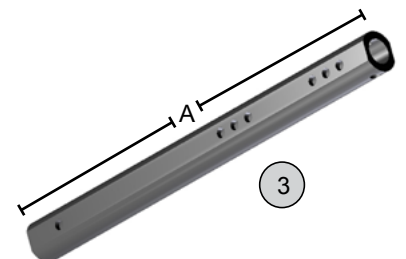
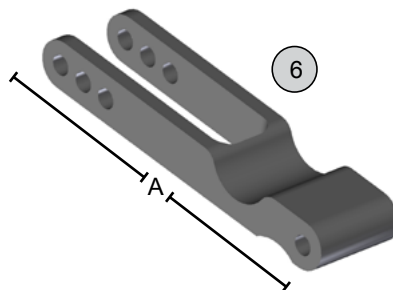
Caster Components—Wheels & Bearings (cont.)

| POS. | ITEM # | DESCRIPTION | QTY | ASSY | NOTES: |
|------|---------|---------------------------------|-----|------|----------------------------------|
| 1 | 10141-1 | 3" LIGHT UP CASTER W/ SPACERS | 1 | 1 | INCLUDES BEARINGS & FORK SPACERS |
| 1 | 10141-2 | 3" LIGHT UP CASTER W/ SPACERS | 2 | 1 | INCLUDES BEARINGS & FORK SPACERS |
| 2 | 10190-1 | 3" POLY CASTER W/ SPACERS | 1 | 1 | INCLUDES BEARINGS & FORK SPACERS |
| 2 | 10190-2 | 3" POLY CASTER W/ SPACERS | 2 | 1 | INCLUDES BEARINGS & FORK SPACERS |
| 3 | 10152-1 | 4" POLY CASTER W/ SPACERS | 1 | 1 | INCLUDES BEARINGS & FORK SPACERS |
| 3 | 10152-2 | 4" POLY CASTER W/ SPACERS | 2 | 1 | INCLUDES BEARINGS & FORK SPACERS |
| 4 | 10153-1 | 4" LIGHT UP CASTER W/ SPACERS | 1 | 1 | INCLUDES BEARINGS & FORK SPACERS |
| 4 | 10153-2 | 4" LIGHT UP CASTER W/ SPACERS | 2 | 1 | INCLUDES BEARINGS & FORK SPACERS |
| 5 | 10157-1 | 4" X 1.4" POLY ALU MAG CASTER | 1 | 1 | INCLUDES BEARINGS & FORK SPACERS |
| 5 | 10157-2 | 4" X 1.4" POLY ALU MAG CASTER | 2 | 1 | INCLUDES BEARINGS & FORK SPACERS |
| 6 | 10196-1 | 5" LIGHT UP CASTER W/ SPACERS | 1 | 1 | INCLUDES BEARINGS & FORK SPACERS |
| 6 | 10196-2 | 5" LIGHT UP CASTER W/ SPACERS | 2 | 1 | INCLUDES BEARINGS & FORK SPACERS |
| 7 | 10191-1 | 5" X 1" POLY CASTER W/ SPACERS | 1 | 1 | INCLUDES BEARINGS & FORK SPACERS |
| 7 | 10191-2 | 5" X 1" POLY CASTER W/ SPACERS | 2 | 1 | INCLUDES BEARINGS & FORK SPACERS |
| 8 | 10149-1 | 5" X 1-1/2" POLY CASTER W/ SPC | 1 | 1 | INCLUDES BEARINGS & FORK SPACERS |
| 8 | 10149-2 | 5" X 1-1/2" POLY CASTERS W/ SPC | 2 | 1 | INCLUDES BEARINGS & FORK SPACERS |
| 9 | 10155-1 | 5" X 1.4" POLY ALU MAG CASTER | 1 | 1 | INCLUDES BEARINGS & FORK SPACERS |
| 9 | 10155-2 | 5" X 1.4" POLY ALU MAG CASTER | 2 | 1 | INCLUDES BEARINGS & FORK SPACERS |
| 10 | 10192-1 | 6" X 1" POLY CASTER W/ SPACER | 1 | 1 | INCLUDES BEARINGS & FORK SPACERS |
| 10 | 10192-2 | 6" X 1" POLY CASTER W/ SPACER | 2 | 1 | INCLUDES BEARINGS & FORK SPACERS |
| 11 | 10193-1 | 6" X 1-1/2" POLY CASTER W/SPC | 1 | 1 | INCLUDES BEARINGS & FORK SPACERS |
| 11 | 10193-2 | 6" X 1-1/2" POLY CASTER W/SPC | 2 | 1 | INCLUDES BEARINGS & FORK SPACERS |
| 12 | 10194-1 | 6" X 2" POLY CASTER W/ SPACER | 1 | 1 | INCLUDES BEARINGS & FORK SPACERS |
| 12 | 10194-2 | 6" X 2" POLY CASTER W/ SPACER | 2 | 1 | INCLUDES BEARINGS & FORK SPACERS |
| 13 | 10145-1 | 6" X 1" PNEUM CASTER W/ SPACER | 1 | 1 | INCLUDES BEARINGS & FORK SPACERS |
| 13 | 10145-2 | 6" X 1" PNEUM CASTER W/ SPACER | 2 | 1 | INCLUDES BEARINGS & FORK SPACERS |
| 14 | 10156-1 | 6" X 1.4" POLY ALU MAG CASTER | 1 | 1 | INCLUDES BEARINGS & FORK SPACERS |
| 14 | 10156-2 | 6" X 1.4" POLY ALU MAG CASTER | 2 | 1 | INCLUDES BEARINGS & FORK SPACERS |
| 15 | 10195-1 | 7" X 1" POLY CASTER W/ SPACER | 1 | 1 | INCLUDES BEARINGS & FORK SPACERS |
| 15 | 10195-2 | 7" X 1" POLY CASTER W/ SPACER | 2 | 1 | INCLUDES BEARINGS & FORK SPACERS |
| 16 | 10148-1 | 7" X 1 1/2" CASTER W/ SPACER | 1 | 1 | INCLUDES BEARINGS & FORK SPACERS |
| 16 | 10148-2 | 7" X 1 1/2" CASTER W/ SPACER | 2 | 1 | INCLUDES BEARINGS & FORK SPACERS |
| 17 | 10154-1 | 7" X 2" POLY CASTER W/ SPACER | 1 | 1 | INCLUDES BEARINGS & FORK SPACERS |
| 17 | 10154-2 | 7" X 2" POLY CASTER W/ SPACER | 2 | 1 | INCLUDES BEARINGS & FORK SPACERS |
| 18 | 2009 | BEARING - 1 1/8" X 1/2" | 1 | 1 | |

Cross Brace Components - Folding Frames



| FRAME WIDTH | CROSS BRACE ARM LENGTH "A" | CROSS BRACE TUBE LENGTH "A" |
|-------------|----------------------------|-----------------------------|
| 10-12 W | 3-7/8" | 9-3/16" (NOTCHED) |
| 11-13 W | 4-3/8" | 9-3/4" |
| 12-14 W | 4-13/16" | 10-1/8" |
| 13-15 W | 5-1/4" | 11" |
| 14-16 W | 5-3/4" | 11-1/4" |
| 15-17 W | 6-1/4" | 11-13/16" |
| 16-18 W | 6-11/16" | 12-11/16" |
| 17-18 W | 6-11/16" | 12-11/16" |
| 18W | 6-11/16" | 14-1/2" |
| 19W | 7-3/8" | 15-1/2" |
| 20W | 7-5/8" | 16-1/2" |



Cross Brace Components - Folding Frames (cont.)

| POS. | ITEM # | DESCRIPTION | QTY | ASSY | NOTES: |
|------|----------|--------------------------------|-----|------|---|
| ① | 18160-1 | CROSS BRACE ASSY 10-12W NXT | 1 | 1 | INCLUDES POS. 3, 6-18 |
| ① | 18161-1 | CROSS BRACE ASSY 11-13W NXT | 1 | 1 | INCLUDES POS. 3, 6-18 |
| ① | 18162-1 | CROSS BRACE ASSY 12-14W NXT | 1 | 1 | INCLUDES POS. 3, 6-18 |
| ① | 18163-1 | CROSS BRACE ASSY 13-15W NXT | 1 | 1 | INCLUDES POS. 3, 6-18 |
| ① | 18164-1 | CROSS BRACE ASSY 14-16W NXT | 1 | 1 | INCLUDES POS. 3, 6-18 |
| ① | 18165-1 | CROSS BRACE ASSY 15-17W NXT | 1 | 1 | INCLUDES POS. 3, 6-18 |
| ① | 18166-1 | CROSS BRACE ASSY 16-18W NXT | 1 | 1 | INCLUDES POS. 3, 6-18 |
| ① | 18167-1 | CROSS BRACE ASSY 17-18W NXT | 1 | 1 | INCLUDES POS. 3, 6-18 |
| ① | 18168-1 | CROSS BRACE ASSY 18W NXT | 1 | 1 | INCLUDES POS. 3, 6-18 |
| ① | 18169-1 | CROSS BRACE ASSY 19W NXT | 1 | 1 | INCLUDES POS. 3, 6-18 |
| ① | 18170-1 | CROSS BRACE ASSY 20W NXT | 1 | 1 | INCLUDES POS. 3, 6-18 |
| ② | 18160-FP | CROSS BRACE ASSY 10-12W NXT FP | 1 | 1 | POS. 3, 6-18 - INCLUDES ANGLE ADJUSTABLE FOOTPLATES |
| ② | 18161-FP | CROSS BRACE ASSY 11-13W NXT FP | 1 | 1 | POS. 3, 6-18 - INCLUDES ANGLE ADJUSTABLE FOOTPLATES |
| ② | 18162-FP | CROSS BRACE ASSY 12-14W NXT FP | 1 | 1 | POS. 3, 6-18 - INCLUDES ANGLE ADJUSTABLE FOOTPLATES |
| ② | 18163-FP | CROSS BRACE ASSY 13-15W NXT FP | 1 | 1 | POS. 3, 6-18 - INCLUDES ANGLE ADJUSTABLE FOOTPLATES |
| ② | 18164-FP | CROSS BRACE ASSY 14-16W NXT FP | 1 | 1 | POS. 3, 6-18 - INCLUDES ANGLE ADJUSTABLE FOOTPLATES |
| ② | 18165-FP | CROSS BRACE ASSY 15-17W NXT FP | 1 | 1 | POS. 3, 6-18 - INCLUDES ANGLE ADJUSTABLE FOOTPLATES |
| ② | 18166-FP | CROSS BRACE ASSY 16-18W NXT FP | 1 | 1 | POS. 3, 6-18 - INCLUDES ANGLE ADJUSTABLE FOOTPLATES |
| ② | 18167-FP | CROSS BRACE ASSY 17-18W NXT FP | 1 | 1 | POS. 3, 6-18 - INCLUDES ANGLE ADJUSTABLE FOOTPLATES |
| ② | 18168-FP | CROSS BRACE ASSY 18W NXT FP | 1 | 1 | POS. 3, 6-18 - INCLUDES ANGLE ADJUSTABLE FOOTPLATES |
| ② | 18169-FP | CROSS BRACE ASSY 19W NXT FP | 1 | 1 | POS. 3, 6-18 - INCLUDES ANGLE ADJUSTABLE FOOTPLATES |
| ② | 18170-FP | CROSS BRACE ASSY 20W NXT FP | 1 | 1 | POS. 3, 6-18 - INCLUDES ANGLE ADJUSTABLE FOOTPLATES |
| 3 | 18016-1 | CROSS BRACE TUBE 10-12" W NXT | 1 | 1 | |
| 3 | 18017-1 | CROSS BRACE TUBE 11-13" W NXT | 1 | 1 | |
| 3 | 18018-1 | CROSS BRACE TUBE 12-14" W NXT | 1 | 1 | |
| 3 | 18019-1 | CROSS BRACE TUBE 13-15" W NXT | 1 | 1 | |
| 3 | 18020-1 | CROSS BRACE TUBE 14-16" W NXT | 1 | 1 | |
| 3 | 18021-1 | CROSS BRACE TUBE 15-17" W NXT | 1 | 1 | |
| 3 | 18022-1 | CROSS BRACE TUBE 16-18" W NXT | 1 | 1 | |
| 3 | 18023-1 | CROSS BRACE TUBE 17-18" W NXT | 1 | 1 | |
| 3 | 18024-1 | CROSS BRACE TUBE 18" W NXT | 1 | 1 | |
| 3 | 18025-1 | CROSS BRACE TUBE 19" W NXT | 1 | 1 | |
| 3 | 18026-1 | CROSS BRACE TUBE 20" W NXT | 1 | 1 | |
| 4 | 18027-1 | PIVOT HINGE ASSEMBLY NXT | 1 | 2 | MUST SPECIFY FRAME COLOR |
| 4 | 18027-2 | PIVOT HINGE ASSEMBLY NXT | 2 | 1 | MUST SPECIFY FRAME COLOR |
| 5 | 18033-1 | UPPER FRAME ARM ASSY NXT | 1 | 2 | MUST SPECIFY FRAME COLOR |
| 5 | 18033-2 | UPPER FRAME ARM ASSY NXT | 2 | 1 | MUST SPECIFY FRAME COLOR |
| 6 | 18028-10 | CROSS BRACE ARM 10-13W NXT | 1 | 2 | |
| 6 | 18028-11 | CROSS BRACE ARM 11-13W NXT | 1 | 2 | |
| 6 | 18028-12 | CROSS BRACE ARM 12-14W NXT | 1 | 2 | |
| 6 | 18028-13 | CROSS BRACE ARM 13-15W NXT | 1 | 2 | |
| 6 | 18028-14 | CROSS BRACE ARM 14-16W NXT | 1 | 2 | |
| 6 | 18028-15 | CROSS BRACE ARM 15-17W NXT | 1 | 2 | |
| 6 | 18028-16 | CROSS BRACE ARM 16-18W NXT | 1 | 2 | |

Cross Brace Components - Folding Frames (cont.)

| POS. | ITEM # | DESCRIPTION | QTY | ASSY | NOTES: |
|------|----------|--------------------------------|-----|------|--------|
| 6 | 18028-17 | CROSS BRACE ARM 17-18W NXT | 1 | 2 | |
| 6 | 18028-18 | CROSS BRACE ARM 18W NXT | 1 | 2 | |
| 6 | 18028-19 | CROSS BRACE ARM 19W NXT | 1 | 2 | |
| 6 | 18028-20 | CROSS BRACE ARM 20W NXT | 1 | 2 | |
| 7 | 18029-1 | CROSS BRACE STOP NXT | 1 | 2 | |
| 8 | 18030-1 | CROSS BRACE FOLDING STRAP NXT | 1 | 1 | |
| 9 | 18031-4 | PLASTIC SPACER ROUND 1/4" | 4 | 1 | |
| 10 | 18032-4 | PLASTIC BUSHING 1/4" ID | 4 | 8 | |
| 11 | 9061-4 | SCREW 1/4-20 X 1" SOCKET HEAD | 4 | 2 | |
| 12 | 9023-4 | SCREW 1/4-20 X 2" HEX HEAD | 4 | 2 | |
| 13 | 9035-4 | SCREW 1/4-20 X 1-1/2" BUTTON | 4 | 2 | |
| 14 | 9037-4 | SCREW 1/4-20 X 2" BUTTON HD | 4 | 2 | |
| 15 | 9025-4 | SCREW 1/4-20 X 2-1/2" HEX HEAD | 4 | 1 | |
| 16 | 9072-4 | LOCKNUT 1/4-20 NYLON | 4 | 7 | |
| 17 | 9073-4 | LOCKNUT 1/4-20 NYLON-THIN | 4 | 2 | |
| 18 | 9074-4 | WASHER 1/4" FLAT 1/2" OD | 4 | 8 | |
| 19 | 9031-4 | SCREW 1/4-20 X 1/2" BHCS | 4 | 4 | |
| 20 | 13070 | NYLON BEARING | 1 | 8 | |

Cross Brace Components - Folding Frames (cont.)



Our kids are our passion.™

Freedom Designs Incorporated
2241 N. Madera Road, Simi Valley, CA 93065



phone: 800-331-8551 fax: 888-582-1509

e: customerservice@freedomdesigns.com

www.freedomdesigns.com

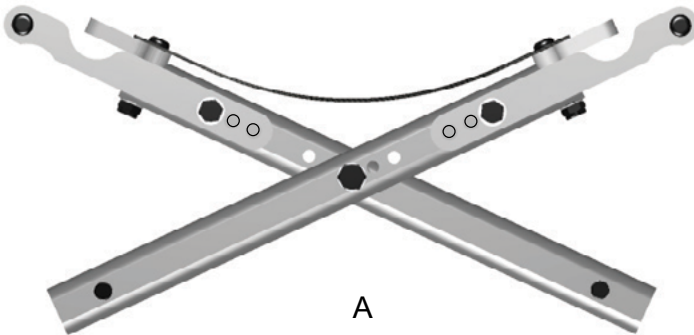
NXT Wheelchair Width Growth Instructions

Tools required:

7/16" wrenches

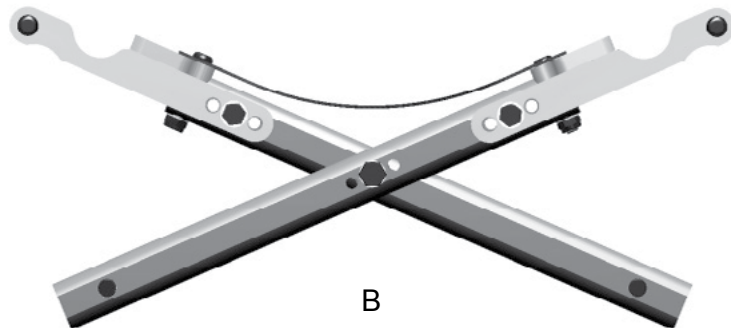
Instructions:

1. Remove screws, nuts and washers holding cross brace arm to cross brace.
2. Remove screw, nut and washers at center of cross braces.
3. Determine desired width. Match center holes and crossbrace arm holes as shown below. A is narrow, B is medium and C is wide).
4. Re-install and tighten all screws, nuts and washers



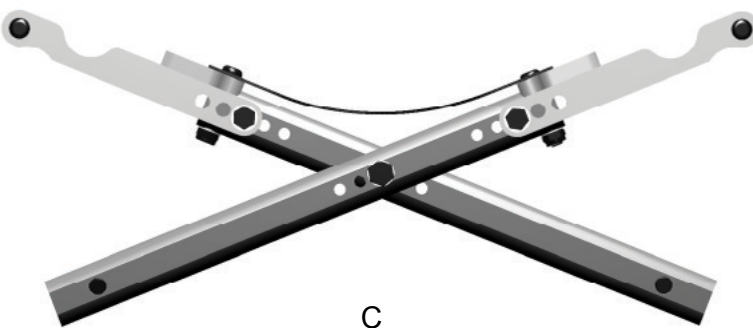
| | | | | |
|-------|-------|-------|---|-----------|
| ● 10" | ○ 11" | ○ 12" | Adjusts 10" to 12" | NXT-30250 |
| ● 11" | ○ 12" | ○ 13" | Adjusts 11" to 13" | NXT-30210 |
| ● 12" | ○ 13" | ○ 14" | Adjusts 12" to 14" | NXT-30220 |
| ● 13" | ○ 14" | ○ 15" | Adjusts 13" to 15" | NXT-30230 |
| ● 14" | ○ 15" | ○ 16" | Adjusts 14" to 16" | NXT-30240 |
| ● 15" | ○ 16" | ○ 17" | Adjusts 15" to 17" | NXT-30290 |
| ● 16" | ○ 17" | ○ 18" | Adjusts 16" to 18" | NXT-30260 |
| ● 17" | ○ 18" | | Adjusts 17" to 18" | NXT-30261 |
| ○ 18" | | | Not adjustable | NXT-30262 |
| ○ 19" | | | Not adjustable, not w/short frame | NXT-30263 |
| ○ 20" | | | Not adjustable, not w/short frame (E2201) | NXT-30264 |

Note: Frame widths measured across and from outside of seat frame tubes.



| | | | | |
|-------|-------|-------|---|-----------|
| ○ 10" | ● 11" | ○ 12" | Adjusts 10" to 12" | NXT-30250 |
| ○ 11" | ● 12" | ○ 13" | Adjusts 11" to 13" | NXT-30210 |
| ○ 12" | ● 13" | ○ 14" | Adjusts 12" to 14" | NXT-30220 |
| ○ 13" | ● 14" | ○ 15" | Adjusts 13" to 15" | NXT-30230 |
| ○ 14" | ● 15" | ○ 16" | Adjusts 14" to 16" | NXT-30240 |
| ○ 15" | ● 16" | ○ 17" | Adjusts 15" to 17" | NXT-30290 |
| ○ 16" | ● 17" | ○ 18" | Adjusts 16" to 18" | NXT-30260 |
| ● 17" | ○ 18" | | Adjusts 17" to 18" | NXT-30261 |
| ○ 18" | | | Not adjustable | NXT-30262 |
| ○ 19" | | | Not adjustable, not w/short frame | NXT-30263 |
| ○ 20" | | | Not adjustable, not w/short frame (E2201) | NXT-30264 |

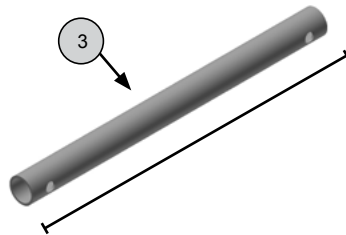
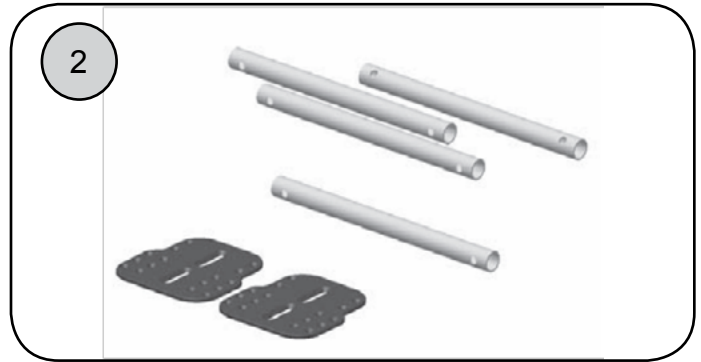
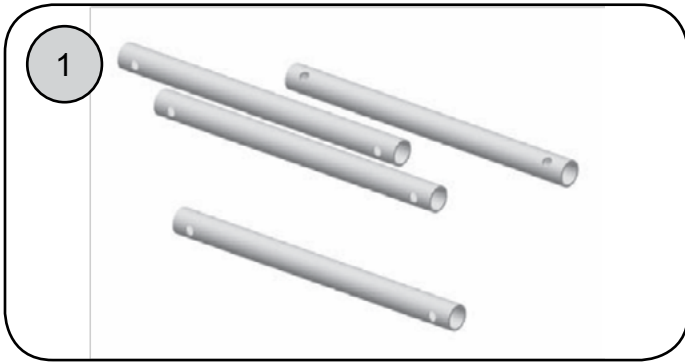
Note: Frame widths measured across and from outside of seat frame tubes.



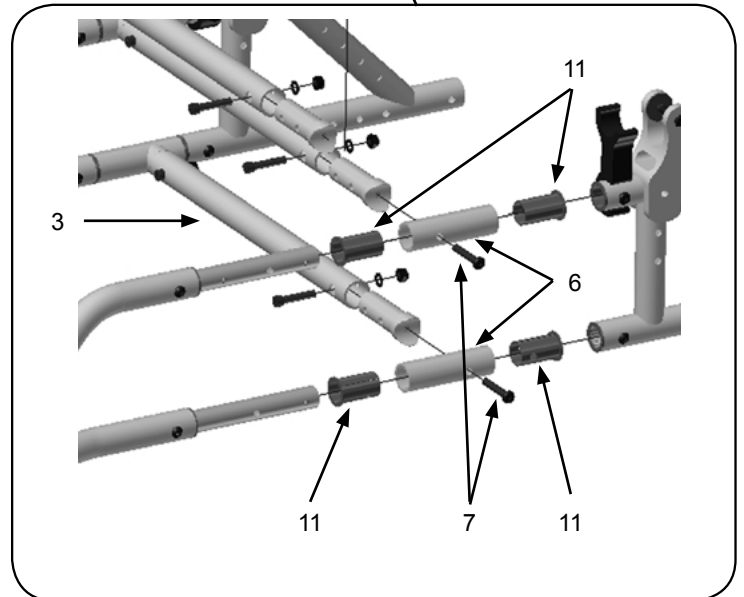
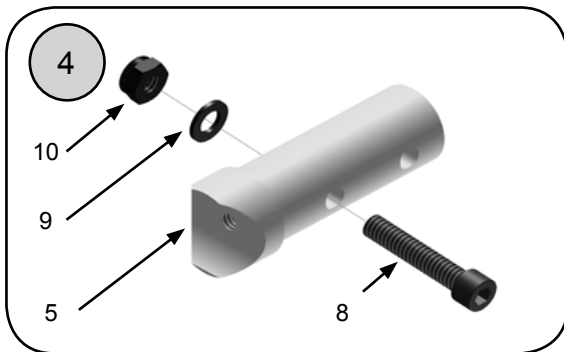
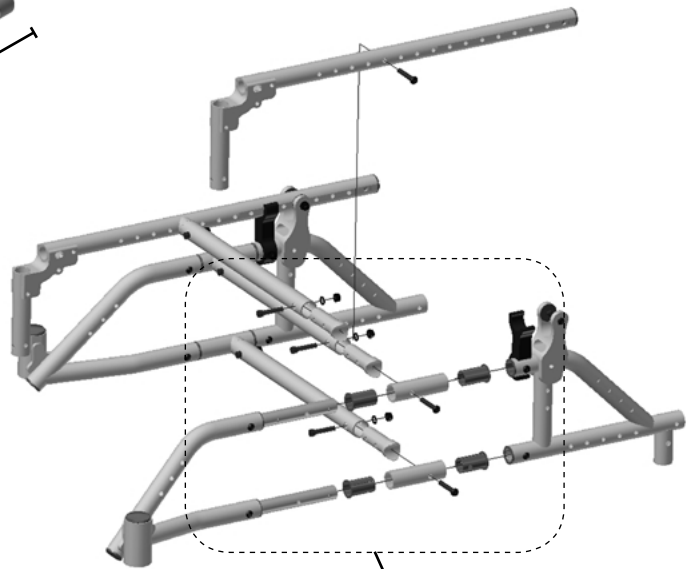
| | | | | |
|-------|-------|-------|---|-----------|
| ○ 10" | ○ 11" | ● 12" | Adjusts 10" to 12" | NXT-30250 |
| ○ 11" | ○ 12" | ● 13" | Adjusts 11" to 13" | NXT-30210 |
| ○ 12" | ○ 13" | ● 14" | Adjusts 12" to 14" | NXT-30220 |
| ○ 13" | ○ 14" | ● 15" | Adjusts 13" to 15" | NXT-30230 |
| ○ 14" | ○ 15" | ● 16" | Adjusts 14" to 16" | NXT-30240 |
| ○ 15" | ○ 16" | ● 17" | Adjusts 15" to 17" | NXT-30290 |
| ○ 16" | ○ 17" | ● 18" | Adjusts 16" to 18" | NXT-30260 |
| ○ 17" | ● 18" | | Adjusts 17" to 18" | NXT-30261 |
| ○ 18" | | | Not adjustable | NXT-30262 |
| ○ 19" | | | Not adjustable, not w/short frame | NXT-30263 |
| ○ 20" | | | Not adjustable, not w/short frame (E2201) | NXT-30264 |

Note: Frame widths measured across and from outside of seat frame tubes.

Cross Bars & Components - Rigid Frames



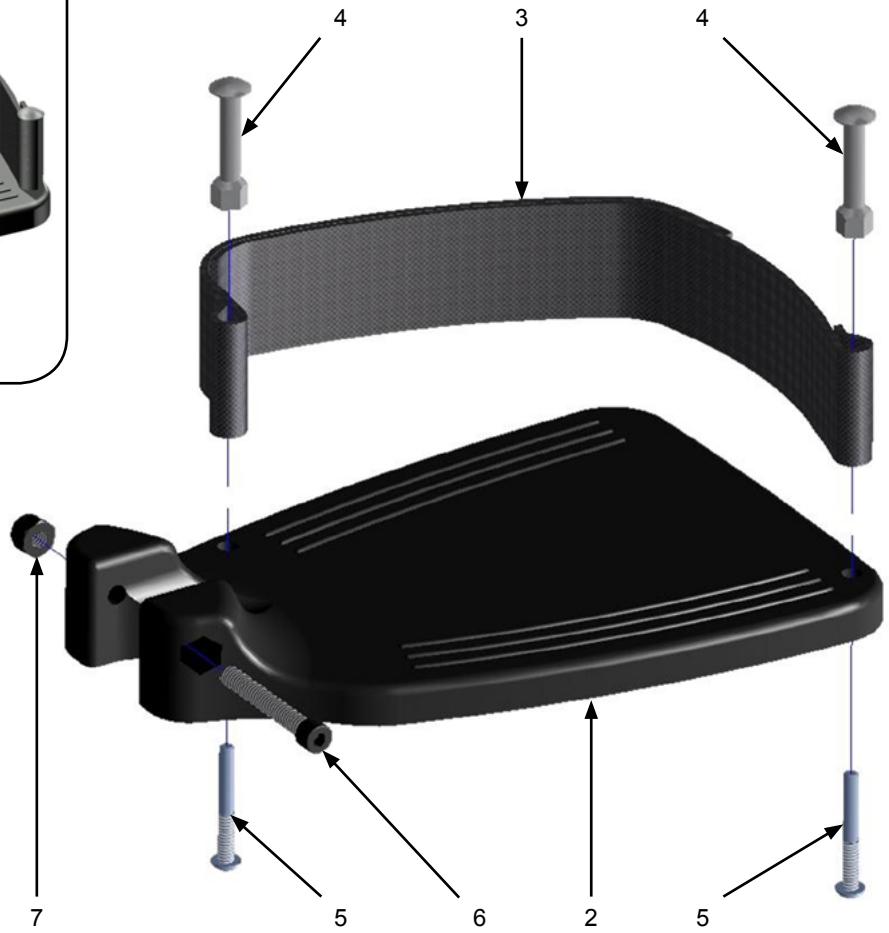
| FRAME WIDTH: | CROSS TUBE LENGTH: |
|--------------|--------------------|
| 10-12" W | 7-1/2" |
| 11-13" W | 8-1/2" |
| 12-14" W | 9-1/2" |
| 13-15" W | 10-1/2" |
| 14-16" W | 11-1/2" |
| 15-17" W | 12-1/2" |
| 16-18" W | 13-1/2" |
| 17-18" W | 14-1/2" |
| 18" W | 15-1/2" |
| 19" W | 16-1/2" |
| 20" W | 17-1/2" |



Cross Bars & Components - Rigid Frames (cont.)

| POS. | ITEM # | DESCRIPTION | QTY | ASSY | NOTES: |
|------|----------|--------------------------------|-----|------|---|
| ① | 18180-1 | RIGID CRS TBE ASSY 10-12W NXT | 1 | 1 | INCLUDES POS. 3-4 |
| ① | 18181-1 | RIGID CRS TBE ASSY 11-13W NXT | 1 | 1 | INCLUDES POS. 3-4 |
| ① | 18182-1 | RIGID CRS TBE ASSY 12-14W NXT | 1 | 1 | INCLUDES POS. 3-4 |
| ① | 18183-1 | RIGID CRS TBE ASSY 13-15W NXT | 1 | 1 | INCLUDES POS. 3-4 |
| ① | 18184-1 | RIGID CRS TBE ASSY 14-16W NXT | 1 | 1 | INCLUDES POS. 3-4 |
| ① | 18185-1 | RIGID CRS TBE ASSY 15-17W NXT | 1 | 1 | INCLUDES POS. 3-4 |
| ① | 18186-1 | RIGID CRS TBE ASSY 16-18W NXT | 1 | 1 | INCLUDES POS. 3-4 |
| ① | 18187-1 | RIGID CRS TBE ASSY 17-18W NXT | 1 | 1 | INCLUDES POS. 3-4 |
| ① | 18188-1 | RIGID CROSS TUBE ASSY 18W NXT | 1 | 1 | INCLUDES POS. 3-4 |
| ① | 18189-1 | RIGID CROSS TUBE ASSY 19W NXT | 1 | 1 | INCLUDES POS. 3-4 |
| ① | 18190-1 | RIGID CROSS TUBE ASSY 20W NXT | 1 | 1 | INCLUDES POS. 3-4 |
| ② | 18180-FP | RGD CRS TBE ASSY 10-12W NXT FP | 1 | 1 | POS. 3-4 INCLUDES ANGLE ADJUSTABLE FOOTPLATES |
| ② | 18181-FP | RGD CRS TBE ASSY 11-13W NXT FP | 1 | 1 | POS. 3-4 INCLUDES ANGLE ADJUSTABLE FOOTPLATES |
| ② | 18182-FP | RGD CRS TBE ASSY 12-14W NXT FP | 1 | 1 | POS. 3-4 INCLUDES ANGLE ADJUSTABLE FOOTPLATES |
| ② | 18183-FP | RGD CRS TBE ASSY 13-15W NXT FP | 1 | 1 | POS. 3-4 INCLUDES ANGLE ADJUSTABLE FOOTPLATES |
| ② | 18184-FP | RGD CRS TBE ASSY 14-16W NXT FP | 1 | 1 | POS. 3-4 INCLUDES ANGLE ADJUSTABLE FOOTPLATES |
| ② | 18185-FP | RGD CRS TBE ASSY 15-17W NXT FP | 1 | 1 | POS. 3-4 INCLUDES ANGLE ADJUSTABLE FOOTPLATES |
| ② | 18186-FP | RGD CRS TBE ASSY 16-18W NXT FP | 1 | 1 | POS. 3-4 INCLUDES ANGLE ADJUSTABLE FOOTPLATES |
| ② | 18187-FP | RGD CRS TBE ASSY 17-18W NXT FP | 1 | 1 | POS. 3-4 INCLUDES ANGLE ADJUSTABLE FOOTPLATES |
| ② | 18188-FP | RIGID CRS TBE ASSY 18W NXT FP | 1 | 1 | POS. 3-4 INCLUDES ANGLE ADJUSTABLE FOOTPLATES |
| ② | 18189-FP | RIGID CRS TBE ASSY 19W NXT FP | 1 | 1 | POS. 3-4 INCLUDES ANGLE ADJUSTABLE FOOTPLATES |
| ② | 18190-FP | RIGID CRS TBE ASSY 20W NXT FP | 1 | 1 | POS. 3-4 INCLUDES ANGLE ADJUSTABLE FOOTPLATES |
| 3 | 18200-1 | RIGID CRS TUBE ONLY 10-12W NXT | 1 | 4 | |
| 3 | 18201-1 | RIGID CRS TUBE ONLY 11-13W NXT | 1 | 4 | |
| 3 | 18202-1 | RIGID CRS TUBE ONLY 12-14W NXT | 1 | 4 | |
| 3 | 18203-1 | RIGID CRS TUBE ONLY 13-15W NXT | 1 | 4 | |
| 3 | 18204-1 | RIGID CRS TUBE ONLY 14-16W NXT | 1 | 4 | |
| 3 | 18205-1 | RIGID CRS TUBE ONLY 15-17W NXT | 1 | 4 | |
| 3 | 18206-1 | RIGID CRS TUBE ONLY 16-18W NXT | 1 | 4 | |
| 3 | 18207-1 | RIGID CRS TUBE ONLY 17-18W NXT | 1 | 4 | |
| 3 | 18208-1 | RIGID CROSS TUBE ONLY 18W NXT | 1 | 4 | |
| 3 | 18209-1 | RIGID CROSS TUBE ONLY 19W NXT | 1 | 4 | |
| 3 | 18210-1 | RIGID CROSS TUBE ONLY 20W NXT | 1 | 4 | |
| ④ | 18220-1 | RIGID CROSS TUBE HDWE KIT NXT | 1 | 1 | INCLUDES POS. 5, 8-10 |
| 5 | 18223-1 | RIGID CROSS TBE CNTOUR FITTING | 1 | 8 | |
| 6 | 18225-1 | RIGID FRAME SPACER SLEEVE NXT | 1 | 4 | |
| 7 | 9035-4 | SCREW 1/4-20 X 1-1/2" BUTTON | 4 | 1 | |
| 8 | 9062-4 | SCREW 1/4-20 X 1 1/4" SKT HEAD | 4 | 8 | |
| 9 | 9074-4 | WASHER 1/4" FLAT 1/2" OD | 4 | 8 | |
| 10 | 9073-4 | LOCKNUT 1/4-20 NYLON-THIN | 4 | 8 | |
| 11 | 13070 | NYLON BEARING | 1 | 8 | |

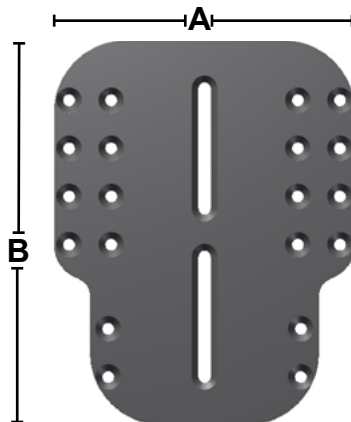
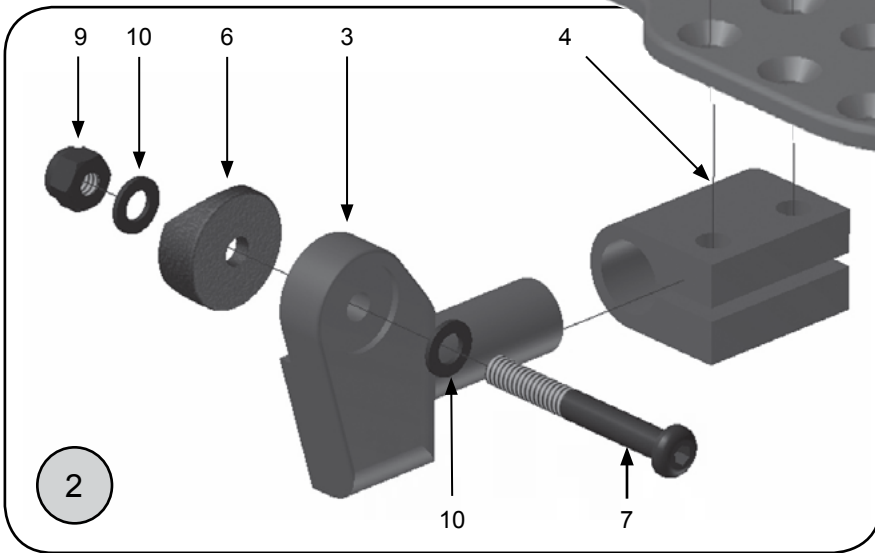
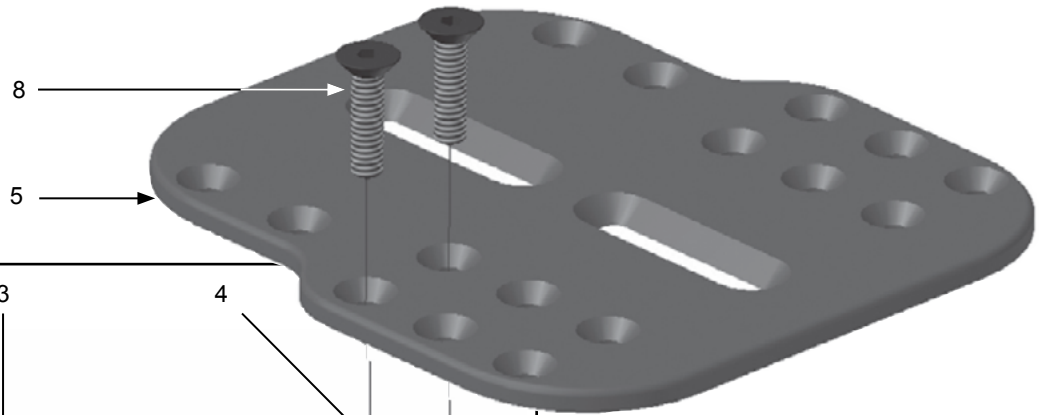
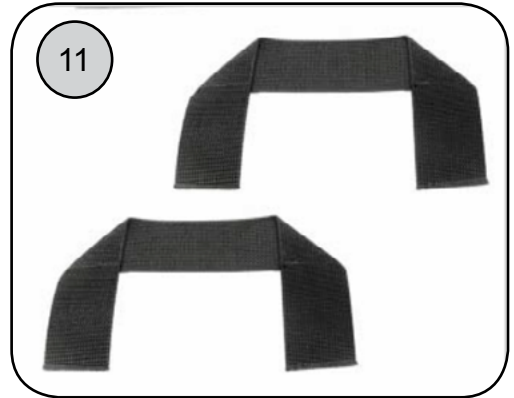
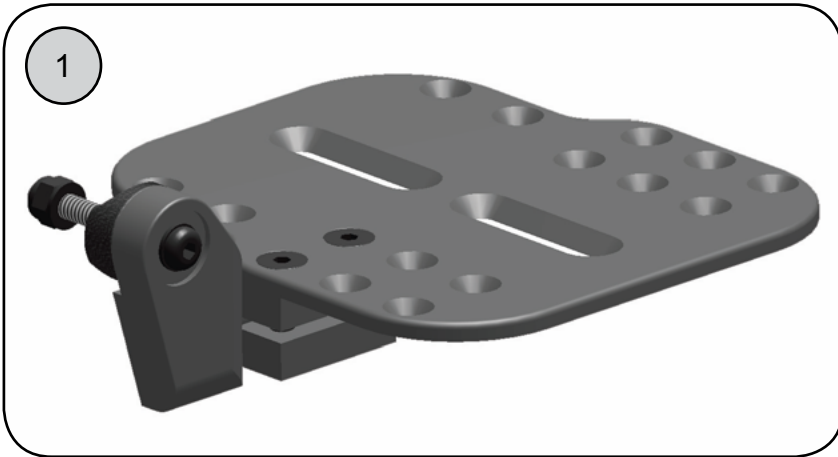
Footrests—Composite Flip-up Footplate



Footrests—Composite Flip-up Footplate (cont.)

| POS. | ITEM # | DESCRIPTION | QTY | ASSY | NOTES: |
|------|---------|--------------------------------|-----|------|---------------------|
| ① | 20070-2 | COMPOSITE FTPLT ASSY 12-13" | 2 | 1 | INCLUDES POS. 2-7 |
| ① | 20070-L | COMPOSITE FTPLT ASSY 12-13" L | 1 | 1 | INCLUDES POS. 2-7 |
| ① | 20070-R | COMPOSITE FTPLT ASSY 12-13" R | 1 | 1 | INCLUDES POS. 2-7 |
| ① | 20071-2 | COMPOSITE FTPLT ASSY 12-13" | 2 | 1 | INCLUDES POS. 2-7 |
| ① | 20071-L | COMPOSITE FTPLT ASSY 12-13" L | 1 | 1 | INCLUDES POS. 2-7 |
| ① | 20071-R | COMPOSITE FTPLT ASSY 12-13" R | 1 | 1 | INCLUDES POS. 2-7 |
| ① | 20072-2 | COMPOSITE FTPLT ASSY 14-15" | 1 | 1 | INCLUDES POS. 2-7 |
| ① | 20072-L | COMPOSITE FTPLT ASSY 14-15" L | 1 | 1 | INCLUDES POS. 2-7 |
| ① | 20072-R | COMPOSITE FTPLT ASSY 14-15" R | 2 | 1 | INCLUDES POS. 2-7 |
| ① | 20073-2 | COMPOSITE FTPLT ASSY 16-17" | 1 | 1 | INCLUDES POS. 2-7 |
| ① | 20073-L | COMPOSITE FTPLT ASSY 16-17" L | 1 | 1 | INCLUDES POS. 2-7 |
| ① | 20073-R | COMPOSITE FTPLT ASSY 16-17" R | 2 | 1 | INCLUDES POS. 2-7 |
| ① | 20074-2 | COMPOSITE FTPLT ASSY 18" | 1 | 1 | INCLUDES POS. 2-7 |
| ① | 20074-L | COMPOSITE FTPLT ASSY 18" L | 1 | 1 | INCLUDES POS. 2-7 |
| ① | 20074-R | COMPOSITE FTPLT ASSY 18" R | 2 | 1 | INCLUDES POS. 2-7 |
| 2 | 20075-2 | COMPOSITE FTPLT ONLY 12-13" PR | 2 | 1 | INCLUDES POS 2 ONLY |
| 2 | 20075-L | COMPOSITE FTPLT ONLY 12-13" L | 1 | 1 | INCLUDES POS 2 ONLY |
| 2 | 20075-R | COMPOSITE FTPLT ONLY 12-13" R | 1 | 1 | INCLUDES POS 2 ONLY |
| 2 | 20076-2 | COMPOSITE FTPLT ONLY 14-15" PR | 2 | 1 | INCLUDES POS 2 ONLY |
| 2 | 20076-L | COMPOSITE FTPLT ONLY 14-15" L | 1 | 1 | INCLUDES POS 2 ONLY |
| 2 | 20076-R | COMPOSITE FTPLT ONLY 14-15" R | 1 | 1 | INCLUDES POS 2 ONLY |
| 2 | 20077-2 | COMPOSITE FTPLT ONLY 16-17" PR | 2 | 1 | INCLUDES POS 2 ONLY |
| 2 | 20077-L | COMPOSITE FTPLT ONLY 16-17" L | 1 | 1 | INCLUDES POS 2 ONLY |
| 2 | 20077-R | COMPOSITE FTPLT ONLY 16-17" R | 1 | 1 | INCLUDES POS 2 ONLY |
| 2 | 20078-2 | COMPOSITE FTPLT ONLY 18" PR | 2 | 1 | INCLUDES POS 2 ONLY |
| 2 | 20078-L | COMPOSITE FTPLT ONLY 18" L | 1 | 1 | INCLUDES POS 2 ONLY |
| 2 | 20078-R | COMPOSITE FTPLT ONLY 18" R | 1 | 1 | INCLUDES POS 2 ONLY |
| 3 | 20059-1 | HEEL LOOP FOR COMPOSITE FTPLT | 1 | 1 | |
| 3 | 20059-2 | HEEL LOOP FOR COMPOSITE FTPLT | 2 | 1 | |
| 4 | 9108 | HEEL LOOP MNT STUD CMPST FTPLT | 1 | 1 | |
| 5 | 9110-4 | SCREW 1/4-20 X 1-5/8" BTN HD | 4 | 1 | |
| 6 | 9064-4 | SCREW 1/4-20 X 1-3/4" SKT HD | 4 | 1 | |
| 7 | 9072-4 | LOCKNUT 1/4-20 NYLON | 4 | 1 | |

Footrests—Angle Adjustable Flip-Up Footplate



| FRAME WIDTH: | "A" | "B" | PART NUMBER(S) |
|--------------|-----|-----|----------------|
| 10" W | 3" | 7" | 18040 / 20040 |
| 11" W | 3" | 7" | 18040 / 20040 |
| 12" W | 4" | 7" | 18041 / 20041 |
| 13" W | 4" | 7" | 18041 / 20041 |
| 14" W | 5" | 7" | 18042 / 20042 |
| 15" W | 5" | 7" | 18042 / 20042 |
| 16" W | 6" | 7" | 18043 / 20043 |
| 17" W | 6" | 7" | 18043 / 20043 |
| 18" W | 7" | 7" | 18044 / 20043 |
| 19" W | 7" | 7" | 18044 / 20044 |
| 20" W | 7" | 7" | 18044 / 20044 |

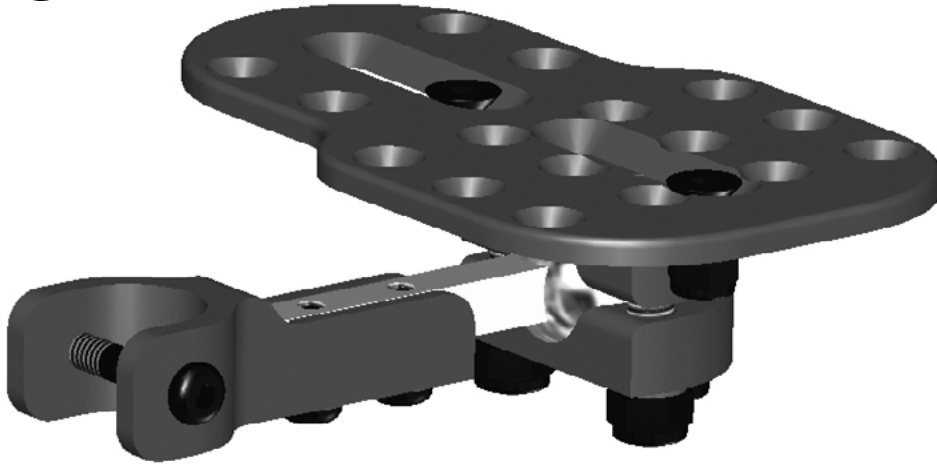
Footrests—Angle Adjustable Flip-Up Footplate (cont.)

| POS. | ITEM # | DESCRIPTION | QTY | ASSY | NOTES: |
|------|---------|--------------------------------|-----|------|-------------------------|
| ① | 18040-L | ANG ADJ FL FTPLT ASSY 10-11W L | 1 | 1 | INCLUDES POS. 2, 5 |
| ① | 18040-R | ANG ADJ FL FTPLT ASSY 10-11W R | 1 | 1 | INCLUDES POS. 2, 5 |
| ① | 18040-2 | ANG ADJ FL FTPLT ASSY 10-11W | 2 | 1 | INCLUDES POS. 2, 5 |
| ① | 18041-L | ANG ADJ FL FTPLT ASSY 12-13W L | 1 | 1 | INCLUDES POS. 2, 5 |
| ① | 18041-R | ANG ADJ FL FTPLT ASSY 12-13W R | 1 | 1 | INCLUDES POS. 2, 5 |
| ① | 18041-2 | ANG ADJ FL FTPLT ASSY 12-13W | 2 | 1 | INCLUDES POS. 2, 5 |
| ① | 18042-L | ANG ADJ FL FTPLT ASSY 14-15W L | 1 | 1 | INCLUDES POS. 2, 5 |
| ① | 18042-R | ANG ADJ FL FTPLT ASSY 14-15W R | 1 | 1 | INCLUDES POS. 2, 5 |
| ① | 18042-2 | ANG ADJ FL FTPLT ASSY 14-15W | 2 | 1 | INCLUDES POS. 2, 5 |
| ① | 18043-L | ANG ADJ FL FTPLT ASSY 16-17W L | 1 | 1 | INCLUDES POS. 2, 5 |
| ① | 18043-R | ANG ADJ FL FTPLT ASSY 16-17W R | 1 | 1 | INCLUDES POS. 2, 5 |
| ① | 18043-2 | ANG ADJ FL FTPLT ASSY 16-17W | 2 | 1 | INCLUDES POS. 2, 5 |
| ① | 18044-L | ANG ADJ FL FTPLT ASSY 18-20W L | 1 | 1 | INCLUDES POS. 2, 5 |
| ② | 18047-2 | ANG ADJ FTPLT PIVOT ARM ASSY | 2 | 1 | INCLUDES POS. 3-4, 6-10 |
| ② | 18047-L | ANG ADJ FTPLT PIVOT ARM ASSY R | 1 | 1 | INCLUDES POS. 3-4, 6-10 |
| ② | 18047-R | ANG ADJ FTPLT PIVOT ARM ASSY R | 1 | 1 | INCLUDES POS. 3-4, 6-10 |
| 3 | 18048-L | ANG ADJ FTPLT PIVOT ARM ONLY L | 1 | 1 | |
| 3 | 18048-R | ANG ADJ FTPLT PIVOT ARM ONLY R | 1 | 1 | |
| 4 | 20066-1 | ANG ADJ FTPLT PIVOT CLAMP | 1 | 1 | |
| 4 | 20066-2 | ANG ADJ FTPLT PIVOT CLAMP | 2 | 1 | |
| 5 | 20040-1 | FTPLT ONLY FLIP ANG ADJ 10-11W | 1 | 1 | |
| 5 | 20040-2 | FTPLT ONLY FLIP ANG ADJ 10-11W | 2 | 1 | |
| 5 | 20041-1 | FTPLT ONLY FLIP ANG ADJ 12-13W | 1 | 1 | |
| 5 | 20041-2 | FTPLT ONLY FLIP ANG ADJ 12-13W | 2 | 1 | |
| 5 | 20042-1 | FTPLT ONLY FLIP ANG ADJ 14-15W | 1 | 1 | |
| 5 | 20042-2 | FTPLT ONLY FLIP ANG ADJ 14-15W | 2 | 1 | |
| 5 | 20043-1 | FTPLT ONLY FLIP ANG ADJ 16-17W | 1 | 1 | |
| 5 | 20043-2 | FTPLT ONLY FLIP ANG ADJ 16-17W | 2 | 1 | |
| 5 | 20044-1 | FTPLT ONLY FLIP ANG ADJ 18W | 1 | 1 | |
| 5 | 20044-2 | FTPLT ONLY FLIP ANG ADJ 18W | 2 | 1 | |
| 6 | 9004-2 | 1" SADDLE FOR 1/4" SCREW | 2 | 1 | |
| 7 | 9037-4 | SCREW 1/4-20 X 2" BUTTON HD | 4 | 1 | |
| 8 | 9047-4 | SCREW 1/4-20 X 1" FLAT HEAD | 4 | 2 | |
| 9 | 9072-4 | LOCKNUT 1/4-20 NYLON | 4 | 1 | |
| 10 | 9074-4 | WASHER 1/4" FLAT 1/2" OD | 4 | 1 | |
| ⑪ | EE9D-1 | HEEL LOOP - WEBBING | 1 | 1 | |
| ⑪ | EE9D-2 | HEEL LOOPS - WEBBING | 2 | 1 | |

Footrests—MAPS (Multi Axis Positioning System)

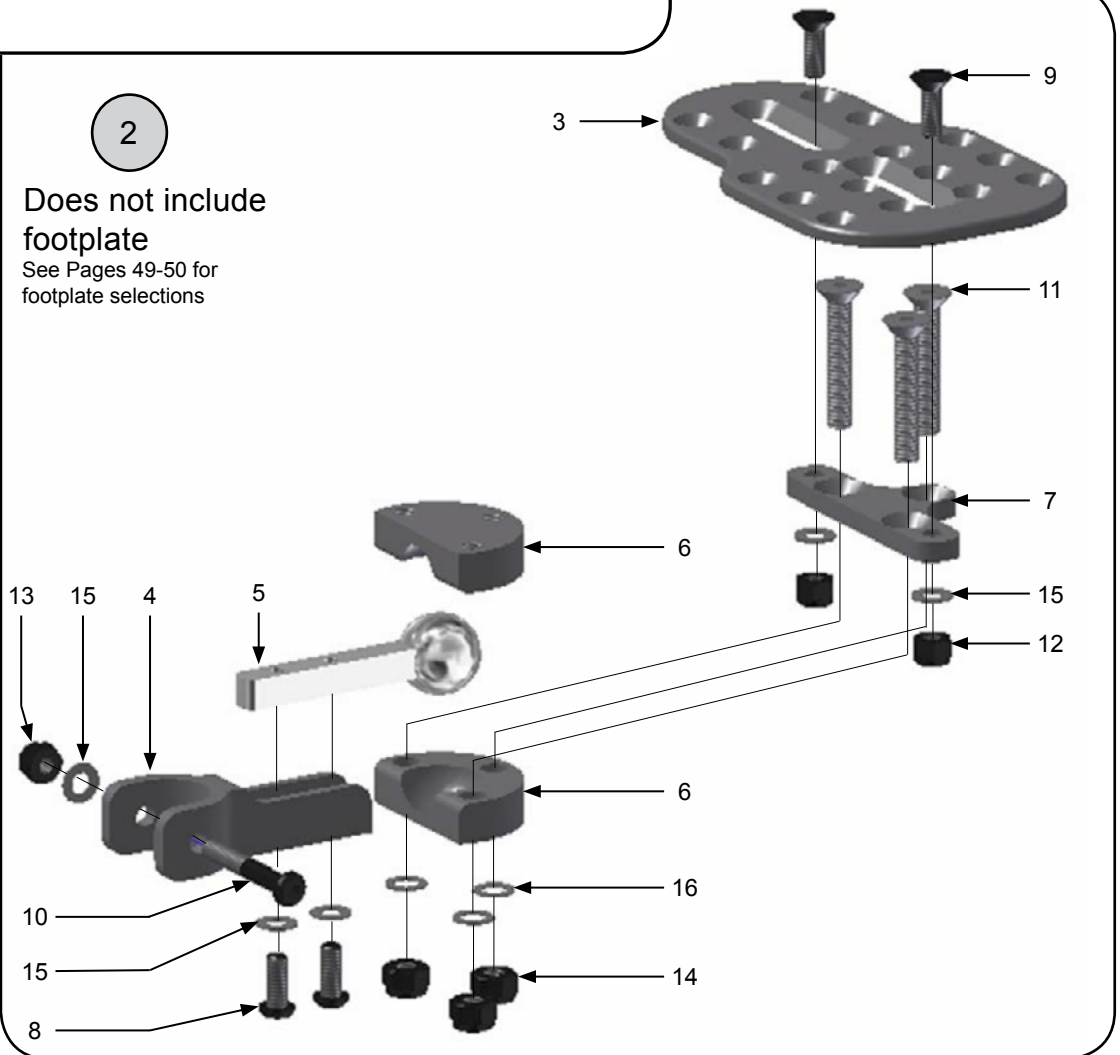
1

Includes footplate



2

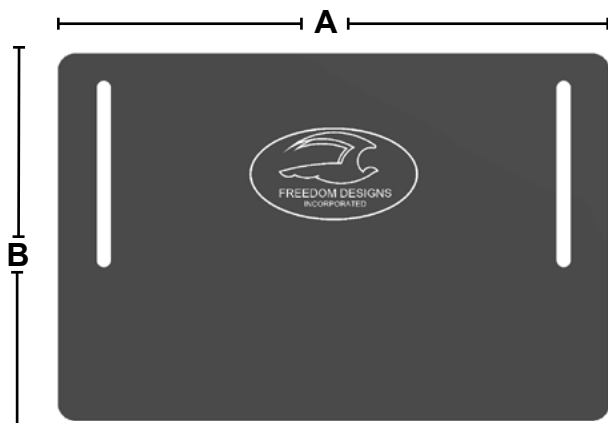
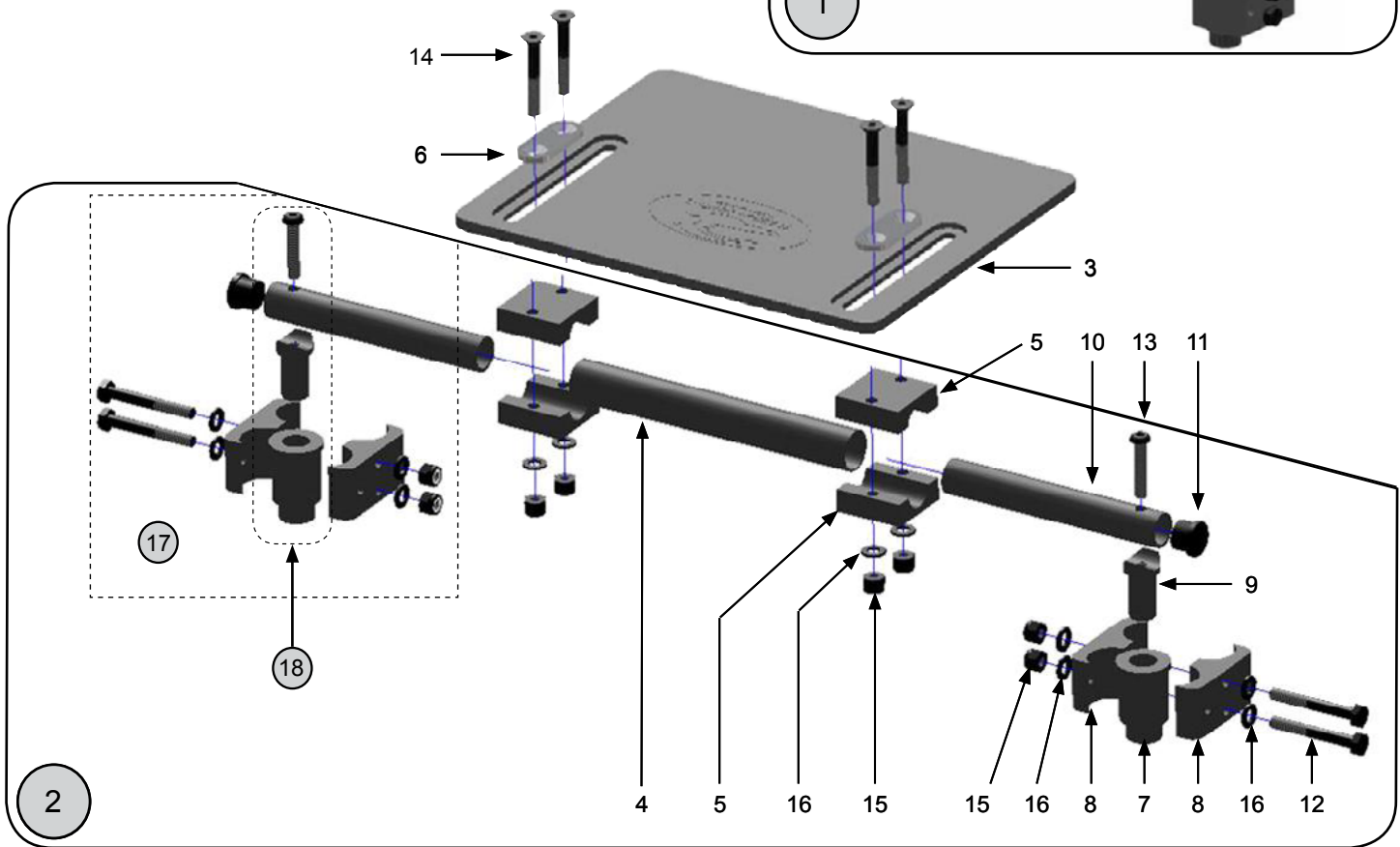
Does not include
footplate
See Pages 49-50 for
footplate selections



Footrests—MAPS (Multi Axis Positioning System) Cont.

| POS. | ITEM # | DESCRIPTION | QTY | ASSY | NOTES: |
|------|-----------|--------------------------------|-----|------|-------------------------------|
| ① | 18243-L | MAPS FOOTPLATE ASSY 10-11W L | 1 | 1 | INCLUDES POS. 3-16 |
| ① | 18243-R | MAPS FOOTPLATE ASSY 10-11W R | 1 | 1 | INCLUDES POS. 3-16 |
| ① | 18243-2 | MAPS FOOTPLATE ASSY 10-11W PR | 2 | 1 | INCLUDES POS. 3-16 |
| ① | 18244-L | MAPS FOOTPLATE ASSY 12-13W L | 1 | 1 | INCLUDES POS. 3-16 |
| ① | 18244-R | MAPS FOOTPLATE ASSY 12-13W R | 1 | 1 | INCLUDES POS. 3-16 |
| ① | 18244-2 | MAPS FOOTPLATE ASSY 12-13W PR | 2 | 1 | INCLUDES POS. 3-16 |
| ① | 18245-L | MAPS FOOTPLATE ASSY 14-15W L | 1 | 1 | INCLUDES POS. 3-16 |
| ① | 18245-R | MAPS FOOTPLATE ASSY 14-15W R | 1 | 1 | INCLUDES POS. 3-16 |
| ① | 18245-2 | MAPS FOOTPLATE ASSY 14-15W PR | 2 | 1 | INCLUDES POS. 3-16 |
| ① | 18246-L | MAPS FOOTPLATE ASSY 16-17W L | 1 | 1 | INCLUDES POS. 3-16 |
| ① | 18246-R | MAPS FOOTPLATE ASSY 16-17W R | 1 | 1 | INCLUDES POS. 3-16 |
| ① | 18246-2 | MAPS FOOTPLATE ASSY 16-17W PR | 2 | 1 | INCLUDES POS. 3-16 |
| ① | 18247-L | MAPS FOOTPLATE ASSY 18-20W L | 1 | 1 | INCLUDES POS. 3-16 |
| ① | 18247-R | MAPS FOOTPLATE ASSY 18-20W R | 1 | 1 | INCLUDES POS. 3-16 |
| ① | 18247-2 | MAPS FOOTPLATE ASSY 18-20W PR | 2 | 1 | INCLUDES POS. 3-16 |
| ② | 18250-1 | MAPS ASSY ONLY - NO FOOTPLATE | 1 | 1 | SEE PAGE 43 FOR FOOTPLATE |
| ② | 18250-2 | MAPS ASSY ONLY - NO FOOTPLATE | 2 | 1 | SEE PAGE 43 FOR FOOTPLATE |
| 3 | FOOTPLATE | ANG ADJ FTPLT | | | SEE PAGE 43 |
| 4 | 18251-1 | MAPS BALL PIVOT HANGER MOUNT | 1 | 1 | FRONT DRILLED 1" HANGERS ONLY |
| 5 | 18252-1 | MAPS BALL PIVOT | 1 | 1 | |
| 6 | 18253-1 | MAPS BALL BASE | 1 | 2 | 2 EACH NEEDED FOR MAPS ASSY |
| 7 | 18254-1 | MAPS MOUNTING PLATE | 1 | 1 | |
| 8 | 9110-4 | SCREW 1/4-20 X 1-5/8" BTN HD | 4 | 2 | |
| 9 | 9046-4 | SCREW 1/4-20 X 3/4" FLAT HEAD | 4 | 2 | |
| 10 | 9036-4 | SCREW 1/4-20 X 1-3/4" BUTTON | 4 | 1 | |
| 11 | 8712-2 | SCREW 5/16-18 x 1-3/4" FLAT HD | 2 | 3 | |
| 12 | 9072-4 | LOCKNUT 1/4-20 NYLON | 4 | 1 | |
| 13 | 9073-4 | LOCKNUT 1/4-20 NYLON-THIN | 4 | 2 | |
| 14 | 9087-4 | LOCKNUT 5/16-18 NYLOC | 4 | 3 | |
| 15 | 9075-4 | WASHER 1/4" FLAT-THIN | 4 | 5 | |
| 16 | 9090-4 | WASHER 5/16" FLAT THIN | 4 | 3 | |

Footrests—Angle Adjustable-Removable Footboard



| FRAME WIDTH: | "A" | "B" | PART NUMBER(S) |
|--------------|-----|-----|----------------|
| 10" W | 7" | 6" | 10200 / 2037 |
| 11" W | 7" | 6" | 10200 / 2037 |
| 12" W | 8" | 8" | 10201 / 2038 |
| 13" W | 8" | 8" | 10201 / 2038 |
| 14" W | 10" | 8" | 10202 / 2039 |
| 15" W | 10" | 8" | 10202 / 2039 |
| 16" W | 12" | 8" | 10203 / 2040 |
| 17" W | 12" | 8" | 10203 / 2040 |
| 18" W | 14" | 8" | 10204 / 2041 |
| 19" W | 14" | 8" | 10204 / 2041 |
| 20" W | 14" | 8" | 10204 / 2041 |

Footrests—Angle Adjustable-Removable Footboard (cont.)

| POS. | ITEM # | DESCRIPTION | QTY | ASSY | NOTES: |
|------|--------|--------------------------------|-----|------|----------------------------|
| ① | 10200 | ANG ADJ REM FTBRD ASSY, 10-11W | 1 | 1 | INCLUDES POS. 3-16 |
| ① | 10201 | ANG ADJ REM FTBRD ASSY, 12-13W | 1 | 1 | INCLUDES POS. 3-16 |
| ① | 10202 | ANG ADJ REM FTBRD ASSY, 14-15W | 1 | 1 | INCLUDES POS. 3-16 |
| ① | 10203 | ANG ADJ REM FTBRD ASSY, 16-17W | 1 | 1 | INCLUDES POS. 3-16 |
| ① | 10204 | ANG ADJ REM FTBRD ASSY, 18-20W | 1 | 1 | INCLUDES POS. 3-16 |
| ② | 13167 | ANG ADJ REM FTBD HDWE 10-11W | 1 | 1 | INCLUDES POS. 4-16 |
| ② | 13168 | ANG ADJ REM FTBD HDWE 12-13W | 1 | 1 | INCLUDES POS. 4-16 |
| ② | 13169 | ANG ADJ REM FTBD HDWE 14-15W | 1 | 1 | INCLUDES POS. 4-16 |
| ② | 13170 | ANG ADJ REM FTBD HDWE 16-17W | 1 | 1 | INCLUDES POS. 4-16 |
| ② | 13171 | ANG ADJ REM FTBD HDWE 18-20W | 1 | 1 | INCLUDES POS. 4-16 |
| 3 | 2037 | REMOVABLE FTBRD ONLY 10-11W | 1 | 1 | |
| 3 | 2038 | REMOVABLE FTBRD ONLY 12-13W | 1 | 1 | |
| 3 | 2039 | REMOVABLE FTBRD ONLY 14-15W | 1 | 1 | |
| 3 | 2040 | REMOVABLE FTBRD ONLY 16-17W | 1 | 1 | |
| 3 | 2041 | REMOVABLE FTBRD ONLY 18-20W | 1 | 1 | |
| 4 | 3032 | SPACER TUBE - FOOTBOARD 10-11W | 1 | 1 | |
| 4 | 3033 | SPACER TUBE - FOOTBOARD 12-13W | 1 | 1 | |
| 4 | 3034 | SPACER TUBE - FOOTBOARD 14-15W | 1 | 1 | |
| 4 | 3035 | SPACER TUBE - FOOTBOARD 16-17W | 1 | 1 | |
| 4 | 3036 | SPACER TUBE - FOOTBOARD 18-20W | 1 | 1 | |
| 5 | 3027 | ANG ADJ CLAMP - REM FTBD | 1 | 2 | INCLUDES 2 EA. POS. 5 |
| 6 | 3028 | CLAMP PLATE - ANG ADJ REM FTBD | 1 | 1 | |
| 7 | 3029 | RCVR ASSY - ANG ADJ REM FTBD | 1 | 1 | |
| 8 | 3024 | FRAME CLAMP - ANG ADJ REM FTBD | 1 | 1 | INCLUDES 2 EA. POS. 8 |
| 9 | 3025 | LKNG INSRT SADDLE - REM FTBD | 1 | 1 | |
| 10 | 3026 | ADJUSTMENT TUBE - REM FTBRD | 1 | 2 | |
| 11 | 3099-4 | TUBE PLUG 3/4" | 4 | 2 | |
| 12 | 9023-4 | SCREW 1/4-20 X 2" HEX HEAD | 4 | 1 | |
| 13 | 9034-4 | SCREW 1/4-20 X 1-1/4" BHCS | 4 | | |
| 14 | 9050-4 | SCREW 1/4-20 X 1-3/4" FLAT HD | 4 | 1 | |
| 15 | 9072-4 | LOCKNUT 1/4-20 NYLON | 4 | | |
| 16 | 9074-4 | WASHER 1/4" FLAT 1/2" OD | 4 | | |
| ①⑦ | 3037 | FRAME CLAMP ASSY - REM FTBD | 1 | 1 | INCLUDES POS. 8, 12, 15-16 |
| ①⑧ | 3041 | INSRT SDL & RCVR ASSY REM FTBD | 1 | 1 | INCLUDES POS. 7, 9 & 13 |

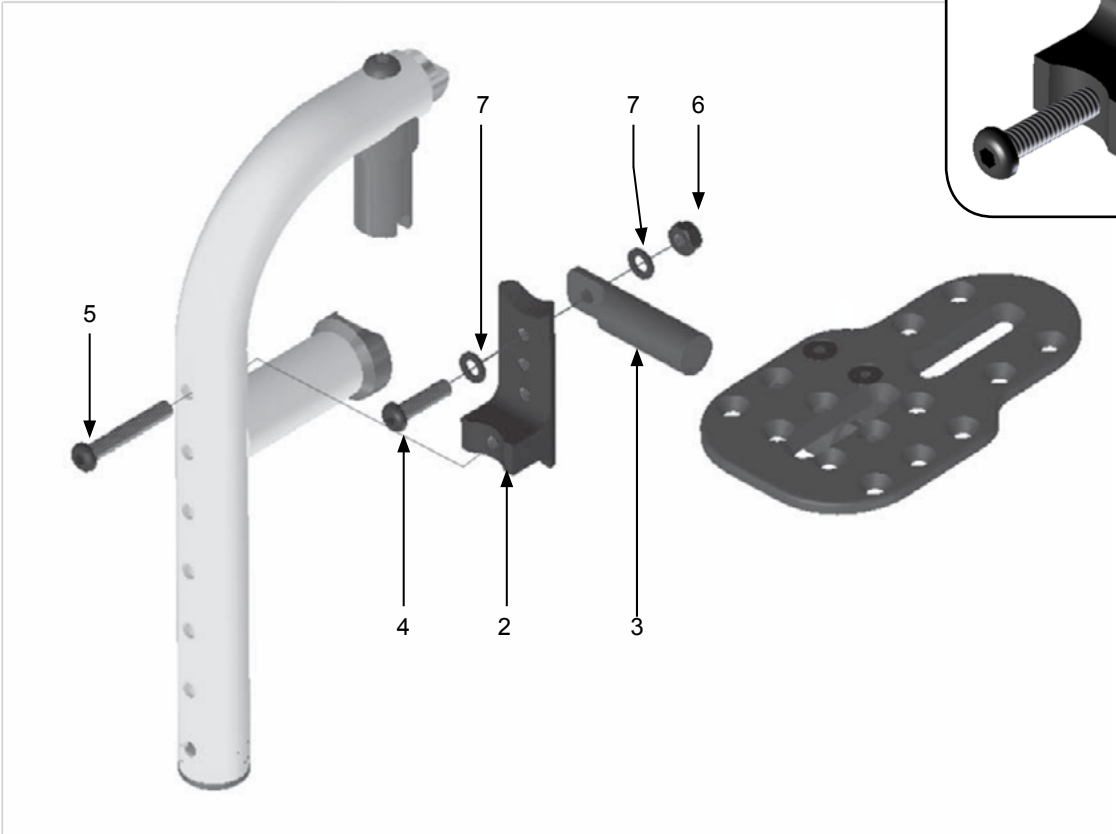
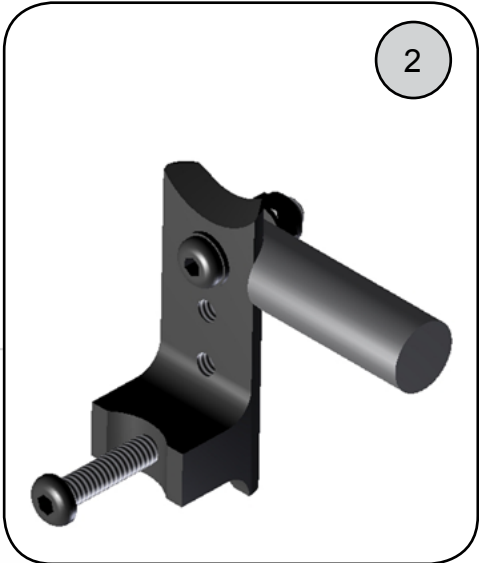
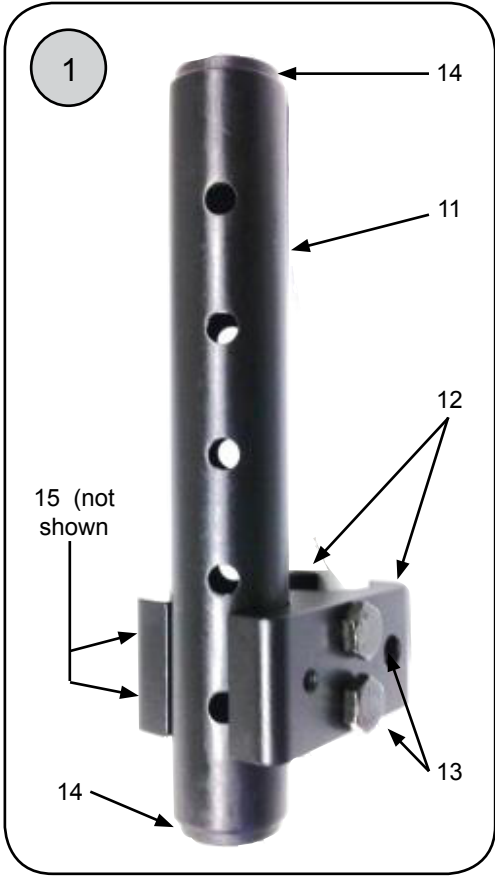
Footrests—Legrest Extensions



Footrests—Legrest Extensions (cont.)

| POS. | ITEM # | DESCRIPTION | QTY | ASSY | NOTES: |
|------|---------|--------------------------------|-----|------|--------|
| ① | 20082-1 | 4.5" HANGER EXT H/D 90/75 | 1 | 1 | |
| ① | 20082-2 | 4.5" HANGER EXT H/D 90/75 | 2 | 1 | |
| ② | 20083-1 | 6.5" HANGER EXT H/D 90/75 | 1 | 1 | |
| ② | 20083-2 | 6.5" HANGER EXT H/D 90/75 | 2 | 1 | |
| ③ | 20099-1 | 4" ADJ TELESCOP FOOTREST EXT | 1 | 1 | |
| ③ | 20099-2 | 4" ADJ TELESCOP FOOTREST EXT | 2 | 1 | |
| ④ | 20098-1 | 6" ADJ TELESCOP FOOTREST EXT | 1 | 1 | |
| ④ | 20098-2 | 6" ADJ TELESCOP FOOTREST EXT | 2 | 1 | |
| ⑤ | 20097-1 | 8" ADJ TELESCOP FOOTREST EXT | 1 | 1 | |
| ⑤ | 20097-2 | 8" ADJ TELESCOP FOOTREST EXT | 2 | 1 | |
| ⑥ | 20094-1 | 4.5" HANGER EXT ELEVATING LEGR | 1 | 1 | |
| ⑥ | 20094-2 | 4.5" HANGER EXT ELEVATING LEGR | 2 | 1 | |
| 7 | 9035-4 | SCREW 1/4-20X 1-1/2" BUTTON | 4 | 1 | |
| 8 | 9073-4 | LOCKNUT 1/4-20 NYLON-THIN | 4 | 1 | |
| 9 | 9074-4 | WASHER 1/4" FLAT 1/2" OD | 4 | 1 | |
| 10 | 20100-1 | SPACER SLEEVE TEL FTRST EXT | 1 | 1 | |
| 11 | 20101-1 | 4" TEL FTRST EXT TUBE ONLY | 1 | 1 | |
| 12 | 20102-1 | 6" TEL FTRST EXT TUBE ONLY | 1 | 1 | |
| 13 | 20103-1 | 8" TEL FTRST EXT TUBE ONLY | 1 | 1 | |

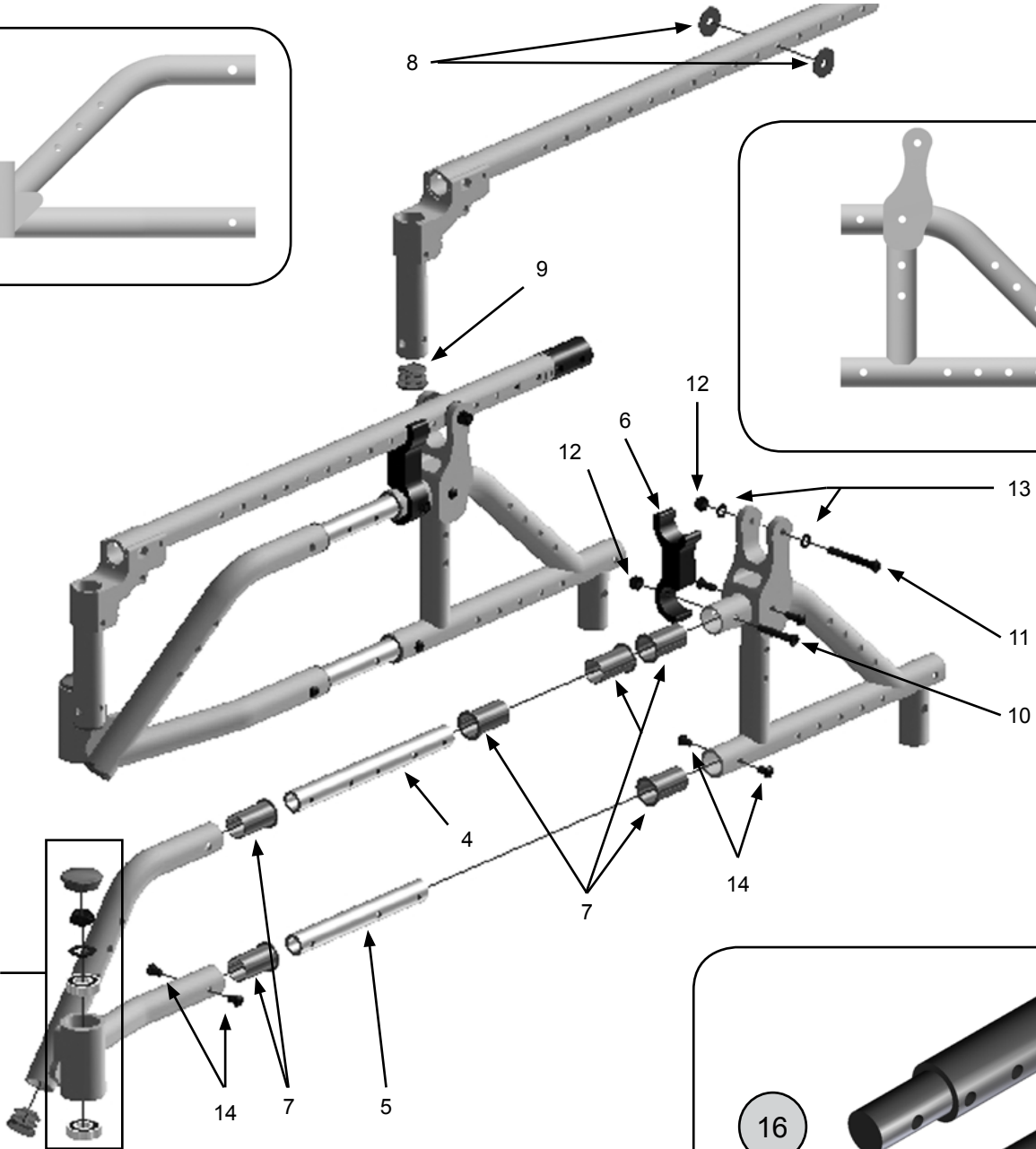
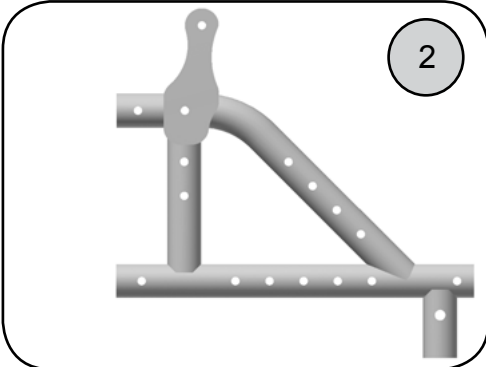
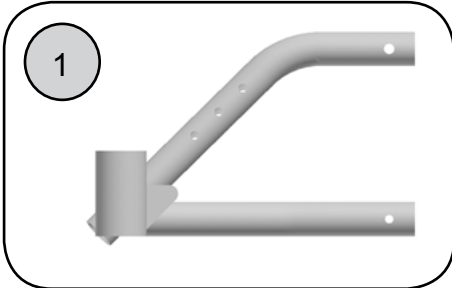
Footrests—High Mount Bracket



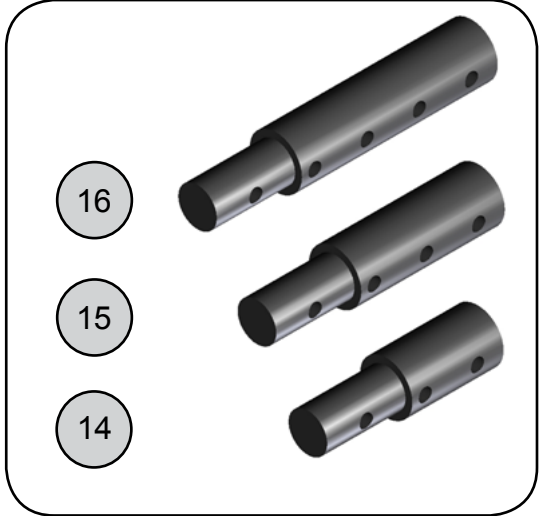
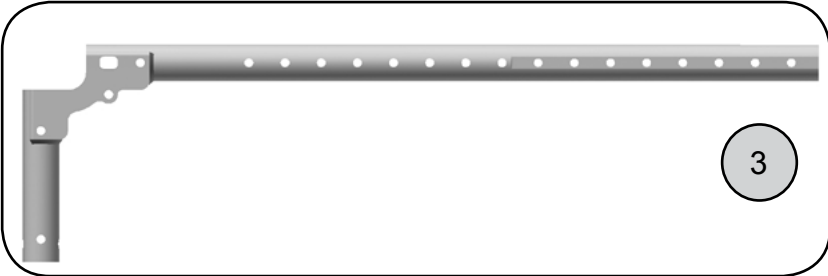
Footrests—High Mount Bracket (cont.)

| POS. | ITEM # | DESCRIPTION | QTY | ASSY | NOTES: |
|------|---------|--------------------------------|-----|------|---|
| ① | 18135-1 | HIGH MOUNT - TUBE & CLAMP STYL | 1 | 1 | ALL 75 DEGREE HANGERS AND 90 DEGREE LATCH |
| ① | 18135-2 | HIGH MOUNT - TUBE & CLAMP STYL | 2 | 1 | ALL 75 DEGREE HANGERS AND 90 DEGREE LATCH |
| ② | 18136-L | HIGH MOUNT BRKT 90 POP-UP L | 1 | 1 | 90 DEGREE POP-UP ONLY |
| ② | 18136-R | HIGH MOUNT BRKT 90 POP-UP R | 1 | 1 | 90 DEGREE POP-UP ONLY |
| ② | 18136-2 | HIGH MOUNT BRKT 90 POP-UP PR | 2 | 1 | 90 DEGREE POP-UP ONLY |
| 3 | 18137-1 | HIGH MOUNT BRACKET BASE | 1 | 1 | |
| 4 | 18138-1 | HIGH MOUNT BRKT SWIVEL BAR | 1 | 1 | |
| 5 | 9033-4 | SCREW 1/4-20 X 1" BUTTON HEAD | 4 | 1 | |
| 6 | 9035-4 | SCREW 1/4-20X 1-1/2" BUTTON | 4 | 1 | |
| 7 | 9073-4 | LOCKNUT 1/4-20 NYLON-THIN | 4 | 1 | |
| 8 | 9074-4 | WASHER 1/4" FLAT 1/2" OD | 4 | 2 | |
| 9 | 20100-1 | SPACER SLEEVE TEL FTRST EXT | 1 | 1 | |
| 10 | 20101-1 | 4" TEL FTRST EXT TUBE ONLY | 1 | 1 | |
| 11 | 18139-1 | HIGH MOUNT TUBE ONLY | 1 | 1 | |
| 11 | 18139-2 | HIGH MOUNT TUBE ONLY | 2 | 1 | |
| 12 | 3024 | FRAME CLAMP - ANG ADJ REM FTBD | 2 | 2 | INCLUDES INNER AND OUTER CLAMP |
| 13 | 9023-4 | SCREW 1/4-20 X 2" HEX HEAD | 4 | 2 | |
| 14 | 9000-4 | 1" TUBE PLUG | 4 | 2 | |
| 15 | 9072-4 | LOCKNUT 1/4-20 NYLON | 4 | 2 | NOT SHOWN |

Frames—Base & Seat



See Page 37



| FRAME SIZE | PART NUMBER: | FRONT FRAME | DIMENSIONS: | PART NUMBER: | REAR FRAME | DIMENSIONS: |
|------------------|--------------|-------------|-------------|--------------|--------------------|-----------------|
| SHORT | 18300 | SHORT | 8.5" L | 18310 | SHORT | 10.5"L X 8.5"H |
| MEDIUM LOW TILT | 18301 | MEDIUM | 10.5" L | 18311 | MEDIUM - LOW TILT | 10.5"L X 8.5"H |
| MEDIUM TALL TILT | 18301 | MEDIUM | 10.5" L | 18312 | MEDIUM - TALL TILT | 10.5"L X 10.5"H |
| LONG | 18302 | LONG | 10.5" L | 18313 | LONG - TALL TILT | 13"L X 10.5"H |

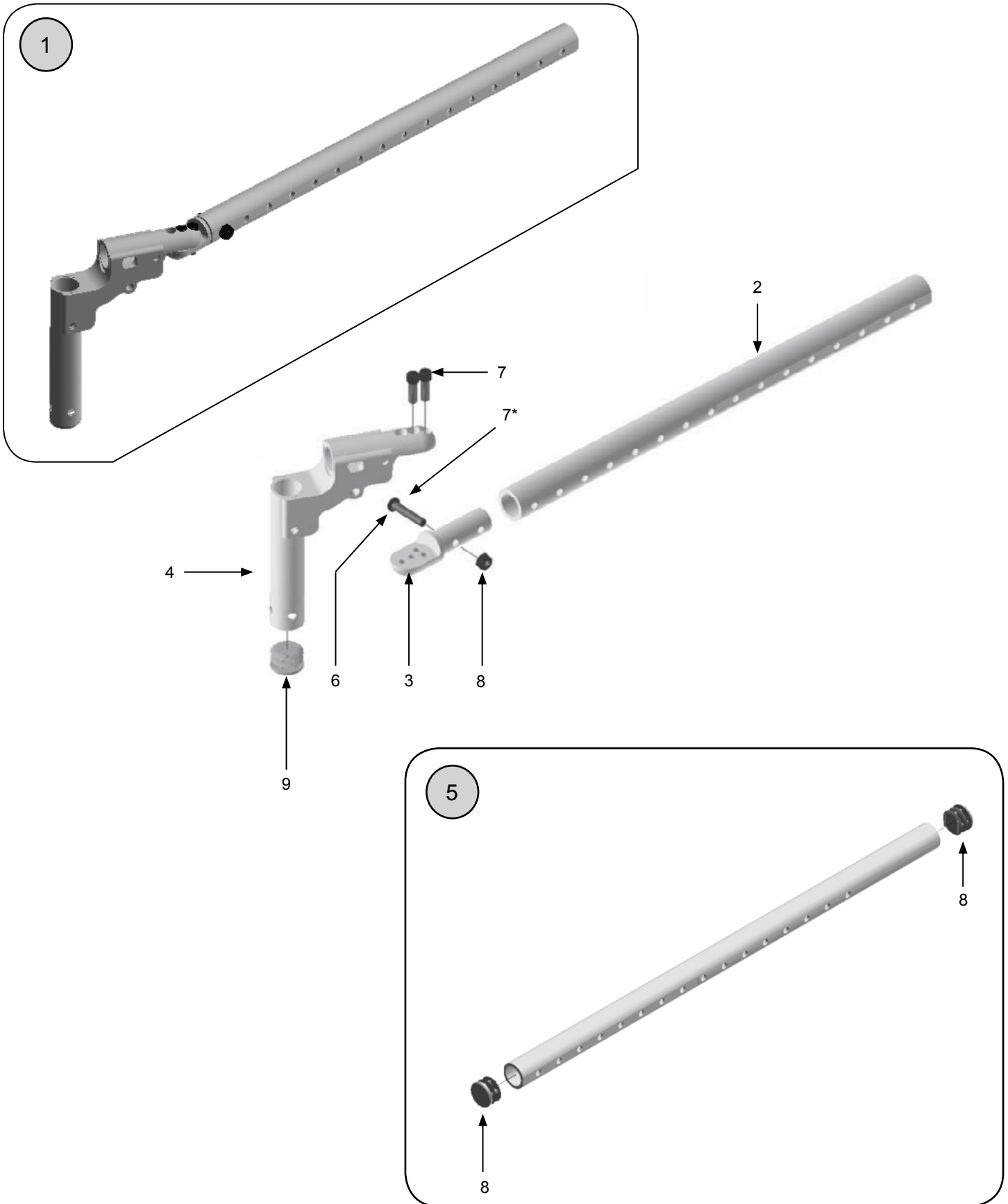
Frames—Base & Seat (cont.)

| POS. | ITEM # | DESCRIPTION | QTY | ASSY | NOTES: |
|------|---------|--------------------------------|-----|------|--------|
| 1 | 18300-L | SIDE FRM FRNT SHT NXT L | 1 | 1 | |
| 1 | 18300-R | SIDE FRM FRNT SHT NXT R | 1 | 1 | |
| 1 | 18300-2 | SIDE FRM FRNT SHT NXT PR | 2 | 1 | |
| 1 | 18301-L | SIDE FRM FRNT MED NXT L | 1 | 1 | |
| 1 | 18301-R | SIDE FRM FRNT MED NXT R | 1 | 1 | |
| 1 | 18301-2 | SIDE FRM FRNT MED NXT PR | 2 | 1 | |
| 1 | 18302-L | SIDE FRM FRNT LONG NXT L | 1 | 1 | |
| 1 | 18302-R | SIDE FRM FRNT LONG NXT R | 1 | 1 | |
| 1 | 18302-2 | SIDE FRM FRNT LONG NXT PR | 2 | 1 | |
| 2 | 18310-L | SIDE FRM RR SHT LW TLT NXT L | 1 | 1 | |
| 2 | 18310-R | SIDE FRM RR SHT LW TLT NXT R | 1 | 1 | |
| 2 | 18310-2 | SIDE FRM RR SHT LW TLT NXT PR | 2 | 1 | |
| 2 | 18311-L | SIDE FRM RR MED LW TLT NXT L | 1 | 1 | |
| 2 | 18311-R | SIDE FRM RR MED LW TLT NXT R | 1 | 1 | |
| 2 | 18311-2 | SIDE FRM RR MED LW TLT NXT PR | 2 | 1 | |
| 2 | 18312-L | SIDE FRM RR MED TL TLT NXT L | 1 | 1 | |
| 2 | 18312-R | SIDE FRM RR MED TL TLT NXT R | 1 | 1 | |
| 2 | 18312-2 | SIDE FRM RR MED TL TLT NXT PR | 2 | 1 | |
| 2 | 18313-L | SIDE FRM RR LONG NXT L | 1 | 1 | |
| 2 | 18313-R | SIDE FRM RR LONG NXT R | 1 | 1 | |
| 2 | 18313-2 | SIDE FRM RR LONG NXT PR | 2 | 1 | |
| 3 | 18257-L | SEAT RAIL STD SHORT NXT L | 1 | 1 | |
| 3 | 18257-R | SEAT RAIL STD SHORT NXT L | 1 | 1 | |
| 3 | 18257-2 | SEAT RAIL STD SHORT NXT L | 2 | 1 | |
| 3 | 18258-L | SEAT RAIL STD MEDIUM NXT L | 1 | 1 | |
| 3 | 18258-R | SEAT RAIL STD MEDIUM NXT L | 1 | 1 | |
| 3 | 18258-2 | SEAT RAIL STD MEDIUM NXT L | 2 | 1 | |
| 3 | 18259-L | SEAT RAIL STD LONG NXT L | 1 | 1 | |
| 3 | 18259-R | SEAT RAIL STD LONG NXT L | 1 | 1 | |
| 3 | 18259-2 | SEAT RAIL STD LONG NXT L | 2 | 1 | |
| 4 | 18320-1 | SIDE FRM INSRT TUBE UPR NXT | 1 | 2 | |
| 4 | 18320-2 | SIDE FRM INSRT TUBE UPR NXT | 2 | 1 | |
| 5 | 18321-1 | SIDE FRM INSRT TUBE LWR NXT | 1 | 2 | |
| 5 | 18321-2 | SIDE FRM INSRT TUBE LWR NXT | 2 | 1 | |
| 6a | 18322-1 | SEAT RAIL RECEIVER NXT LW TLT | 1 | 2 | |
| 6a | 18322-2 | SEAT RAIL RECEIVER NXT LW TLT | 2 | 1 | |
| 6b | 18324-1 | SEAT RAIL RECEIVER NXT TL TLT | 1 | 1 | |
| 6b | 18324-2 | SEAT RAIL RECEIVER NXT TL TLT | 2 | 1 | |
| 7 | 13070 | NYLON BEARING | 1 | 16 | |
| 8 | 18323-1 | SPACER .076" X 1" OD X 1/4" ID | 1 | 4 | |
| 8 | 18323-2 | SPACER .076" X 1" OD X 1/4" ID | 2 | 2 | |
| 9 | 9000-4 | TUBE PLUG - 1" | 4 | 2 | |
| 10 | 9035-4 | SCREW 1/4-20X 1-1/2" BUTTON | 4 | 2 | |

Frames—Base & Seat (cont.)

| POS. | ITEM # | DESCRIPTION | QTY | ASSY | NOTES: |
|------|---------|-------------------------------|-----|------|--------|
| 11 | 9037-4 | SCREW 1/4-20 X 2" BUTTON HD | 4 | 2 | |
| 12 | 9073-4 | LOCKNUT 1/4-20 NYLON-THIN | 4 | 2 | |
| 13 | 9074-4 | WASHER 1/4" FLAT 1/2" OD | 4 | 2 | |
| 14 | 9031-4 | SCREW 1/4-20 X 1/2" BUTTON HD | 4 | | |
| 15 | 18061-1 | NXT SEAT RAIL EXTENSION-2" | 1 | 1 | |
| 15 | 18061-2 | NXT SEAT RAIL EXTENSION-2" | 2 | 1 | |
| 16 | 18062-1 | NXT SEAT RAIL EXTENSION -3" | 1 | 1 | |
| 16 | 18062-2 | NXT SEAT RAIL EXTENSION -3" | 2 | 1 | |
| 17 | 18063-1 | NXT SEAT RAIL EXTENSION -4" | 1 | 1 | |
| 17 | 18063-2 | NXT SEAT RAIL EXTENSION -4" | 2 | 1 | |

Frames - LEAF (Lower Extremity Accommodation Frame) & SRO (Seat Rail Only)



Frames - LEAF (Lower Extremity Accommodation Frame) & SRO (Seat Rail Only) Cont.

| POS. | ITEM # | DESCRIPTION | QTY | ASSY | NOTES: |
|------|---------|--------------------------------|-----|------|---|
| ① | 18260-2 | LEAF SEAT RAIL ASSY SHT NXT PR | 2 | 1 | INCLUDES POS. 2-4, 6-9 |
| ① | 18260-L | LEAF SEAT RAIL ASSY SHT NXT L | 1 | 1 | INCLUDES POS. 2-4, 6-9 |
| ① | 18260-R | LEAF SEAT RAIL ASSY SHT NXT R | 1 | 1 | INCLUDES POS. 2-4, 6-9 |
| ① | 18261-2 | LEAF SEAT RAIL ASSY MED NXT PR | 2 | 1 | INCLUDES POS. 2-4, 6-9 |
| ① | 18261-L | LEAF SEAT RAIL ASSY MED NXT L | 1 | 1 | INCLUDES POS. 2-4, 6-9 |
| ① | 18261-R | LEAF SEAT RAIL ASSY MED NXT R | 1 | 1 | INCLUDES POS. 2-4, 6-9 |
| ① | 18262-2 | LEAF SEAT RAIL ASSY LNG NXT PR | 2 | 1 | INCLUDES POS. 2-4, 6-9 |
| ① | 18262-L | LEAF SEAT RAIL ASSY LNG NXT L | 1 | 1 | INCLUDES POS. 2-4, 6-9 |
| ① | 18262-R | LEAF SEAT RAIL ASSY LNG NXT R | 1 | 1 | INCLUDES POS. 2-4, 6-9 |
| 2 | 18263-1 | LEAF SEAT RAIL TUBE SHT NXT | 1 | 1 | |
| 2 | 18263-2 | LEAF SEAT RAIL TUBE SHT NXT | 2 | 1 | |
| 2 | 18264-1 | LEAF SEAT RAIL TUBE MED NXT | 1 | 1 | |
| 2 | 18264-2 | LEAF SEAT RAIL TUBE MED NXT | 2 | 1 | |
| 2 | 18265-1 | LEAF SEAT RAIL TUBE LNG NXT | 1 | 1 | |
| 2 | 18265-2 | LEAF SEAT RAIL TUBE LNG NXT | 2 | 1 | |
| 3 | 18266-1 | LEAF ADJ HINGE INSERT STNLS | 1 | 1 | |
| 3 | 18266-2 | LEAF ADJ HINGE INSERT STNLS | 2 | 1 | |
| 4 | 18267-1 | LEAF HANGER MOUNT WELDMENT | 1 | 1 | |
| 4 | 18267-2 | LEAF HANGER MOUNT WELDMENT | 2 | 1 | |
| ⑤ | 18270-1 | SRO - SEAT RAIL ONLY SHT NXT | 1 | 1 | INCLUDES POS. 9 |
| ⑤ | 18270-2 | SRO - SEAT RAIL ONLY SHT NXT | 2 | 1 | INCLUDES POS. 9 |
| ⑤ | 18271-1 | SRO - SEAT RAIL ONLY MED NXT | 1 | 1 | INCLUDES POS. 9 |
| ⑤ | 18271-2 | SRO - SEAT RAIL ONLY MED NXT | 2 | 1 | INCLUDES POS. 9 |
| ⑤ | 18272-1 | SRO - SEAT RAIL ONLY LNG NXT | 1 | 1 | INCLUDES POS. 9 |
| ⑤ | 18272-2 | SRO - SEAT RAIL ONLY LNG NXT | 2 | 1 | INCLUDES POS. 9 |
| 6 | 9034-4 | SCREW 1/4-20 X 1-1/4" BHCS | 4 | 1 | |
| 7 | 9060-4 | SCREW 1/4-20 X 3/4" SOCKET HD | 4 | 2 | REPLACED WITH P/N: 9060-4 AS OF 1/2013 |
| 8 | 9073-4 | LOCKNUT 1/4-20 NYLON-THIN | 4 | 1 | REPLACED WITH A PRESSED-IN THREADED INSERT AS OF 1/2013 |
| 9 | 9000-4 | TUBE PLUG - 1" | 4 | 1 | |

NXT Backpost Depth Setting Matrix

| | |
|----------|----------------------------------|
| M | Tilt Mech Lock Location |
| P | Pivot Location |
| B | Backpost Bracket Location |

This matrix details the Tilt Mech Lock (M), Tilt Pivot (P), and Backpost Bracket (B) locations on the seat rail for each configured Backpost depth setting.

SHORT FRAME

BACKPOST DEPTH SETTING (INCHES)*
12" 13" 14" 15" 16"

FRAME HOLE POSITION (POS.)

12" ‡ STD / SRO / ***
13" ‡ STD / SRO / ***
14" STD / SRO / LEAF
15" STD / SRO / LEAF
16" STD / SRO / LEAF

| | 1 | 2 | 3 | 4 | 5 | 6 | 7 | 8 | 9 | 10 | 11 | 12 | 13 | 14 |
|-----|---|---|---|---|---|---|---|---|---|----|----|----|----|----|
| 12" | M | | | | | | | P | B | B | | | | |
| 13" | M | | | | | | | P | B | B | B | | | |
| 14" | | M | | | | | | P | | B | B | B | | |
| 15" | | M | | | | | | | P | | B | B | B | |
| 16" | | M | | | | | | | P | | | B | B | |

MEDIUM FRAME

BACKPOST DEPTH SETTING (INCHES)*
14" 15" 16" 17" 18"

FRAME HOLE POSITION (POS.)

14" ‡ STD / SRO / ***
15" ‡ STD / SRO / ***
16" STD / SRO / LEAF
17" STD / SRO / LEAF
18" STD / SRO / LEAF

| | 1 | 2 | 3 | 4 | 5 | 6 | 7 | 8 | 9 | 10 | 11 | 12 | 13 | 14 | 15 | 16 |
|-----|---|---|---|---|---|---|---|---|---|----|----|----|----|----|----|----|
| 14" | M | | | | | | | | P | B | B | B | | | | |
| 15" | | M | | | | | | | | P | B | B | B | | | |
| 16" | | | M | | | | | | | | P | B | B | B | | |
| 17" | | | | M | | | | | | | | P | B | B | B | |
| 18" | | | | M | | | | | | | | P | | B | B | B |

LONG FRAME

BACKPOST DEPTH SETTING (INCHES)*
16" 17" 18" 19" 20" 21" 22"

FRAME HOLE POSITION (POS.)

16" STD / SRO / LEAF
17" STD / SRO / LEAF
18" STD / SRO / LEAF
19" STD / SRO / LEAF
20" STD / SRO / LEAF
21" STD / SRO / LEAF
22" STD / SRO / LEAF

| | 1 | 2 | 3 | 4 | 5 | 6 | 7 | 8 | 9 | 10 | 11 | 12 | 13 | 14 | 15 | 16 | 17 | 18 | 19 |
|-----|---|---|---|---|---|---|---|---|---|----|----|----|----|----|----|----|----|----|----|
| 16" | M | | | | | | | | | P | B | B | B | | | | | | |
| 17" | | M | | | | | | | | | P | B | B | B | | | | | |
| 18" | | | M | | | | | | | | | P | B | B | B | | | | |
| 19" | | | | M | | | | | | | | P | | B | B | B | | | |
| 20" | | | | | M | | | | | | | P | | | B | B | B | | |
| 21" | | | | | | M | | | | | | | P | | | B | B | B | |
| 22" | | | | | | | M | | | | | | P | | | | B | B | B |

* DIMENSIONS COULD VARY AS MUCH AS +/- 1/2"

‡ REQUIRES MECH LOCK SPLIT COLLARS & CHANGES SEAT RAIL TO +5°, TRANSPORT BRACKETS MUST BE INVERTED TO CLEAR HANGER LATCH.

*** LEAF NOT POSSIBLE: POS. 1 & 2 NEEDED FOR SEATING HARDWARE CLEARANCE.

Frame Growth Kits

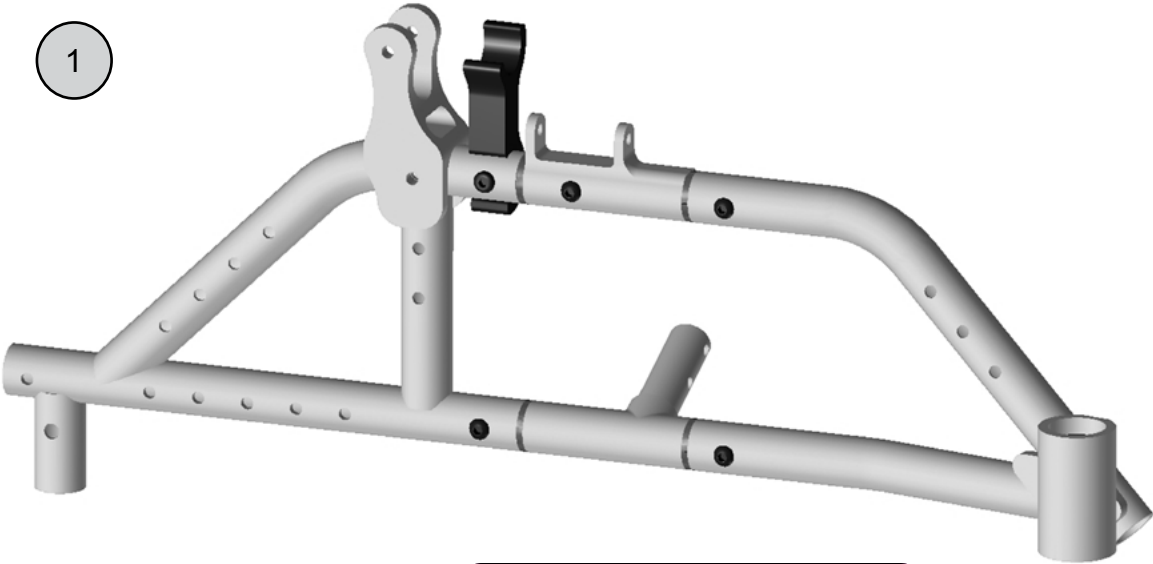
See pages 59 & 62 for seat rail options.

Individual side frame components available separately. See page 59 for parts.

| FRAME GROWTH CHART | | | | | | | | | |
|---------------------|-----------------------|---|---|-------------|---|---|------|---|---|
| CURRENT FRAME SIZE: | FRAME SECTION NEEDED: | | | | | | | | |
| | MEDIUM LOW | | | MEDIUM TALL | | | LONG | | |
| | F | R | S | F | R | S | F | R | S |
| SHORT FRAME | x | | x | x | x | x | x | x | x |
| MEDIUM LOW TILT | | | | | x | | | x | x |
| MEDIUM TALL TILT | | | | | | | | x | x |
| LONG FRAME | | | | | | | | | |

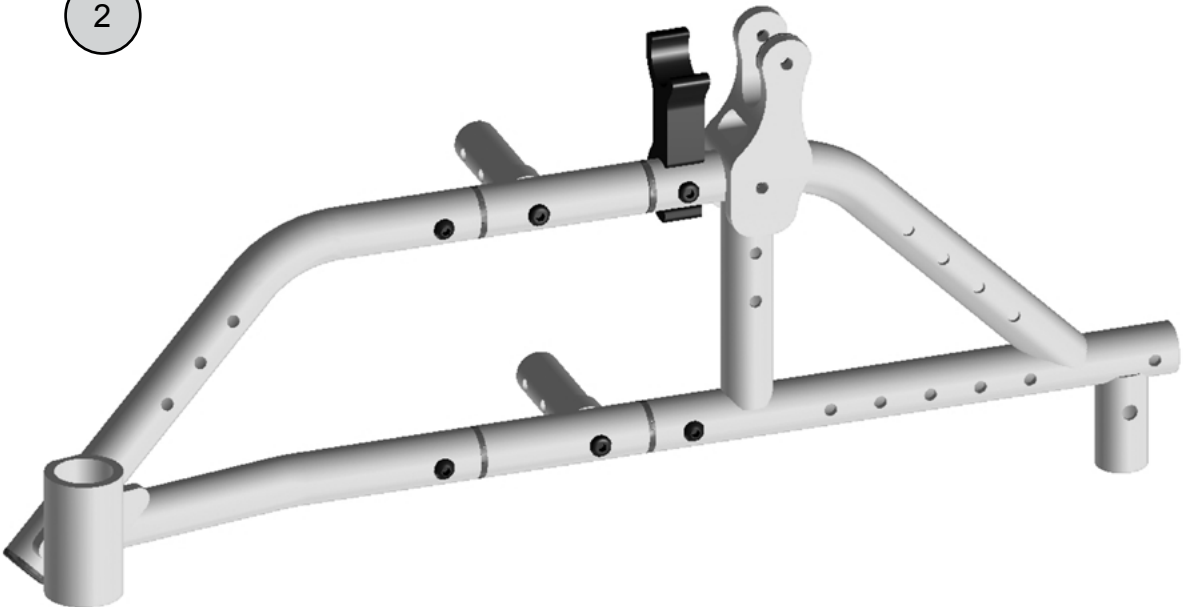
F FRONT SIDE FRAME
 R REAR SIDE FRAME (INCLUDES TILT PIVOT)
 S SEAT RAILS

1



**SIDE FRAMES
COMPLETE AS SHOWN**

2

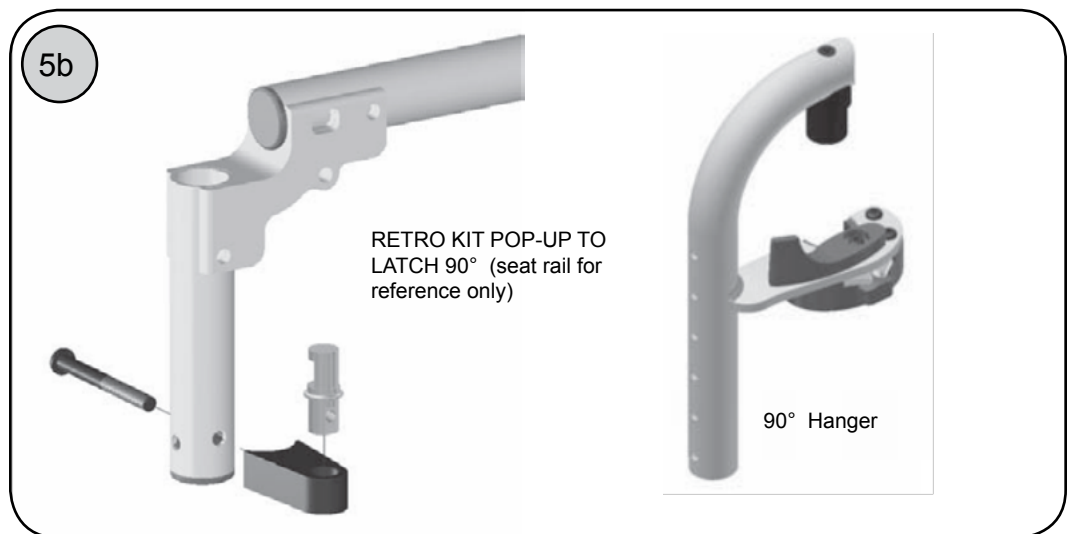
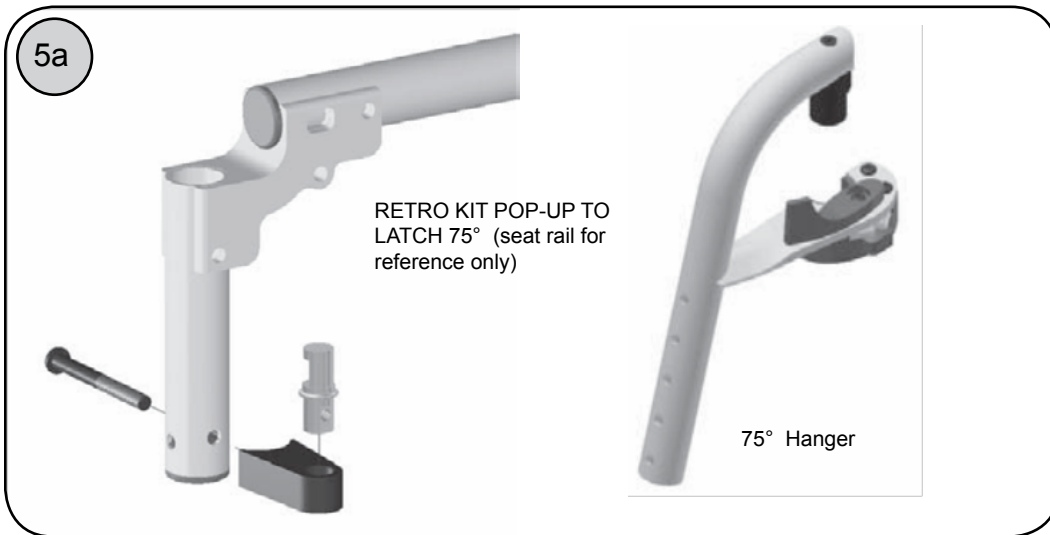
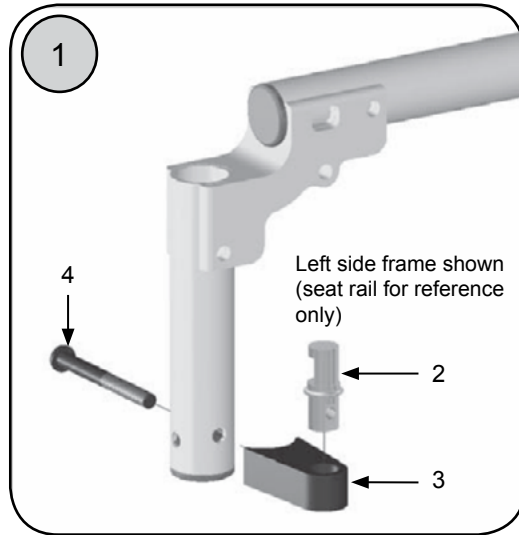


Frames - Growth Kits (cont.)

| POS. | ITEM # | DESCRIPTION | QTY | ASSY | NOTES: |
|------|---------|--------------------------------|-----|------|--------|
| 1 | 18330-L | BASE FRM ASSY SHORT FLD NXT L | 1 | 1 | |
| 1 | 18330-R | BASE FRM ASSY SHORT FLD NXT R | 1 | 1 | |
| 1 | 18330-2 | BASE FRM ASSY SHORT FLD NXT PR | 2 | 1 | |
| 2 | 18331-L | BASE FRM ASSY SHORT RGD NXT L | 1 | 1 | |
| 2 | 18331-R | BASE FRM ASSY SHORT RGD NXT R | 1 | 1 | |
| 2 | 18331-2 | BASE FRM ASSY SHORT RGD NXT PR | 2 | 1 | |
| 1 | 18332-L | BASE FRM ASSY MED LW TLT FLD L | 1 | 1 | |
| 1 | 18332-R | BASE FRM ASSY MED LW TLT FLD R | 1 | 1 | |
| 1 | 18332-2 | BASE FRM ASSY MED LW TLT FLD | 2 | 1 | |
| 2 | 18333-L | BASE FRM ASSY MED LW TLT RGD L | 1 | 1 | |
| 2 | 18333-R | BASE FRM ASSY MED LW TLT RGD R | 1 | 1 | |
| 2 | 18333-2 | BASE FRM ASSY MED LW TLT RGD | 2 | 1 | |
| 1 | 18334-L | BASE FRM ASSY MED TL TLT FLD L | 1 | 1 | |
| 1 | 18334-R | BASE FRM ASSY MED TL TLT FLD R | 1 | 1 | |
| 1 | 18334-2 | BASE FRM ASSY MED TL TLT FLD | 2 | 1 | |
| 2 | 18335-L | BASE FRM ASSY MED TL TLT RGD L | 1 | 1 | |
| 2 | 18335-R | BASE FRM ASSY MED TL TLT RGD R | 1 | 1 | |
| 2 | 18335-2 | BASE FRM ASSY MED TL TLT RGD | 2 | 1 | |
| 1 | 18336-L | BASE FRM ASSY LONG FLD NXT L | 1 | 1 | |
| 1 | 18336-R | BASE FRM ASSY LONG FLD NXT R | 1 | 1 | |
| 1 | 18336-2 | BASE FRM ASSY LONG FLD NXT PR | 2 | 1 | |
| 2 | 18337-L | BASE FRM ASSY LONG RGD NXT L | 1 | 1 | |
| 2 | 18337-R | BASE FRM ASSY LONG RGD NXT R | 1 | 1 | |
| 2 | 18337-2 | BASE FRM ASSY LONG RGD NXT PR | 2 | 1 | |

Hangers — Complete Hanger Retro & Components - Latch

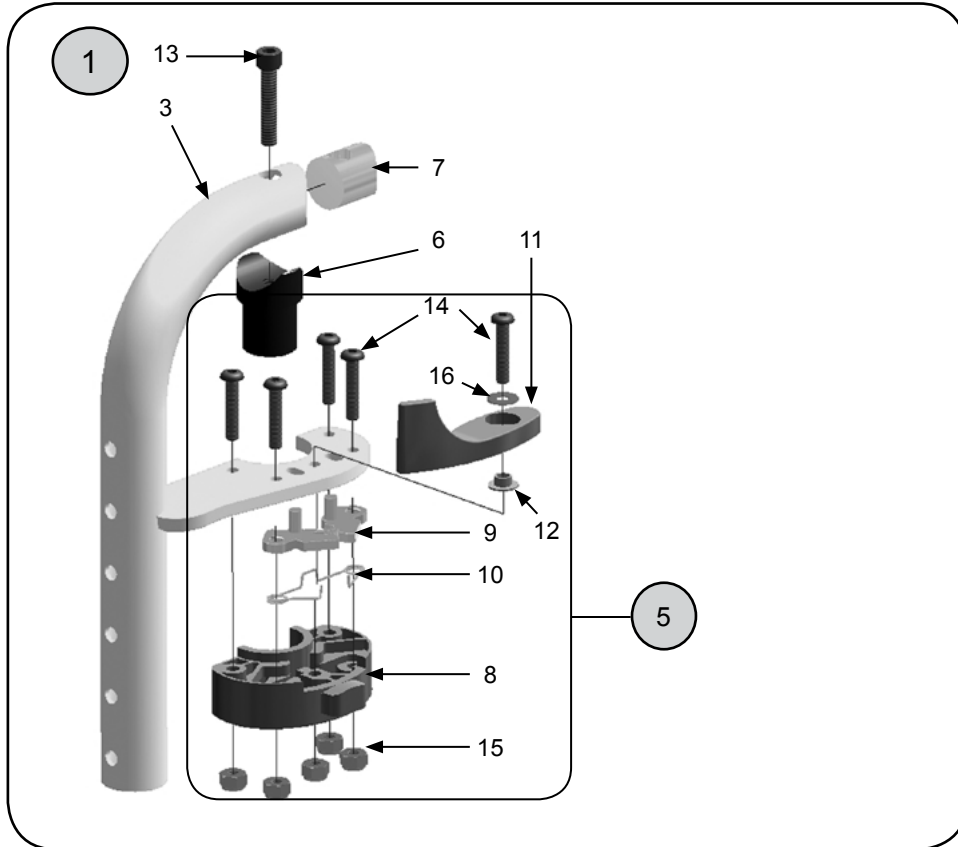
Hangers and hanger components can be found on page 69



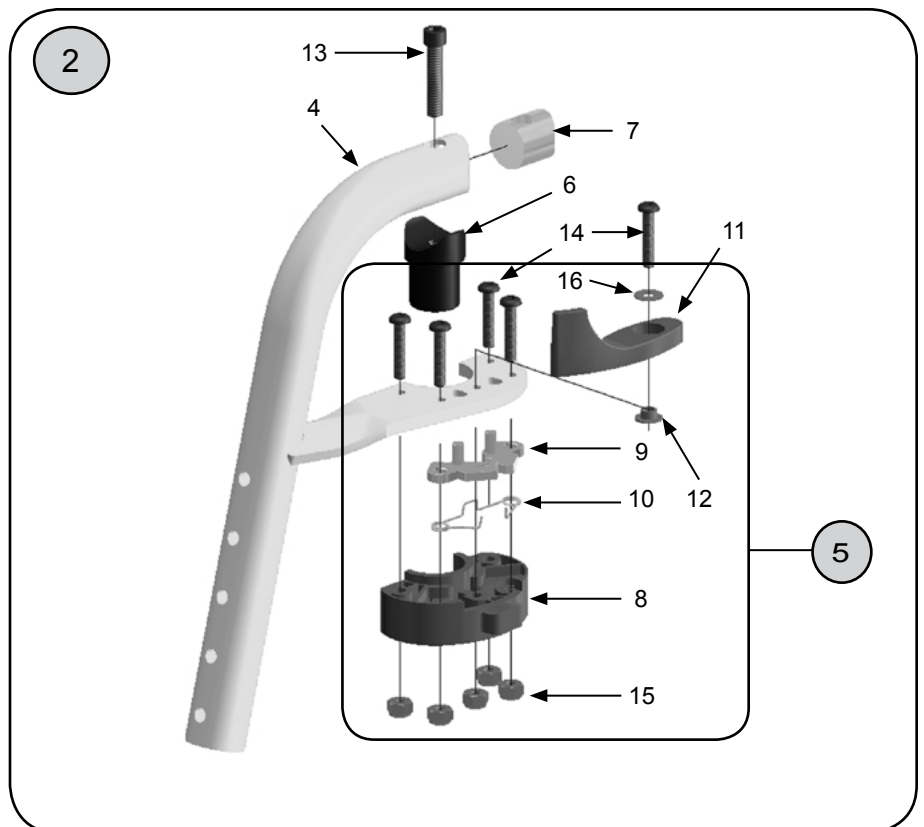
Hangers — Complete Hanger Retro & Components (cont.)

| POS. | ITEM # | DESCRIPTION | QTY | ASSY | NOTES: |
|------|---------|--------------------------------|-----|------|---|
| ① | 18067-1 | HANGER SPRT S/A LATCH STYLE | 1 | 2 | INCLUDES POS. 2-4 |
| ① | 18067-2 | HANGER SPRT S/A LATCH STYLE | 2 | 1 | INCLUDES POS. 2-4 |
| 2 | 18068-1 | HANGER SPRT S/A LATCH POST | 1 | 1 | |
| 2 | 18068-2 | HANGER SPRT S/A LATCH POST | 2 | 1 | |
| 3 | 18064-1 | HANGER SPRT S/A LATCH BLOCK | 1 | 1 | |
| 3 | 18064-2 | HANGER SPRT S/A LATCH BLOCK | 2 | 1 | |
| 4 | 9116-4 | SCREW 1/4-20 X 2-1/2" BHCS | 4 | 1 | |
| ⑤a | 18070-L | RETRO KIT POP-UP TO LATCH 75 L | 1 | 1 | INCLUDES POS. 1 & LEFT 75 DEG HANGER - SPECIFY COLOR |
| ⑤a | 18070-R | RETRO KIT POP-UP TO LATCH 75 R | 1 | 1 | INCLUDES POS. 1 & RIGHT 75 DEG HANGER - SPECIFY COLOR |
| ⑤a | 18070-2 | RETRO KIT POP-UP TO LATCH 75 | 2 | 1 | INCLUDES POS. 1 & PAIR 75 DEG HANGER - SPECIFY COLOR |
| ⑤b | 18071-L | RETRO KIT POP-UP TO LATCH 90 L | 1 | 1 | INCLUDES POS. 1 & LEFT 90 DEG HANGER - SPECIFY COLOR |
| ⑤b | 18071-R | RETRO KIT POP-UP TO LATCH 90 R | 1 | 1 | INCLUDES POS. 1 & RIGHT 90 DEG HANGER - SPECIFY COLOR |
| ⑤b | 18071-2 | RETRO KIT POP-UP TO LATCH 90 | 2 | 1 | INCLUDES POS. 1 & PAIR 90 DEG HANGER - SPECIFY COLOR |

Hangers - Latch, Swing-In, Swing-Out



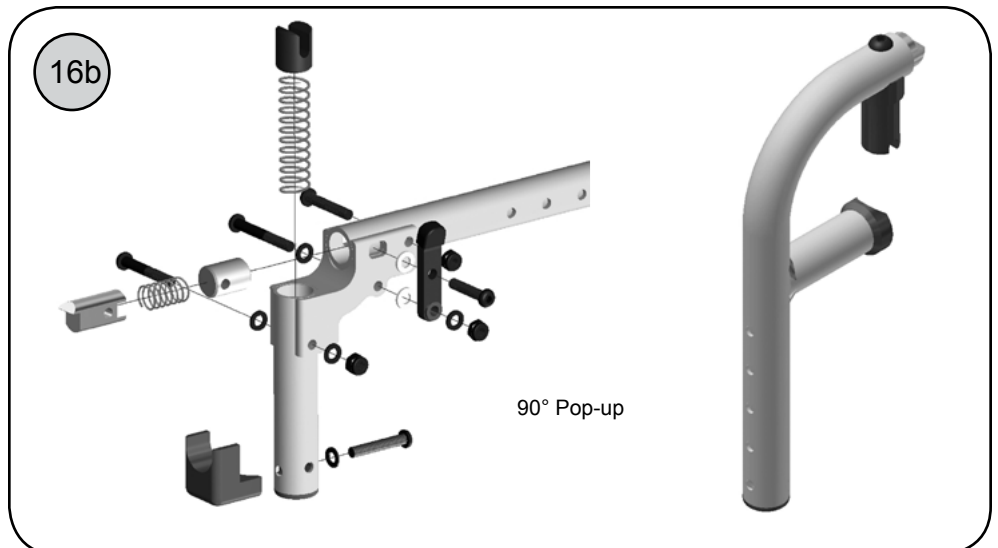
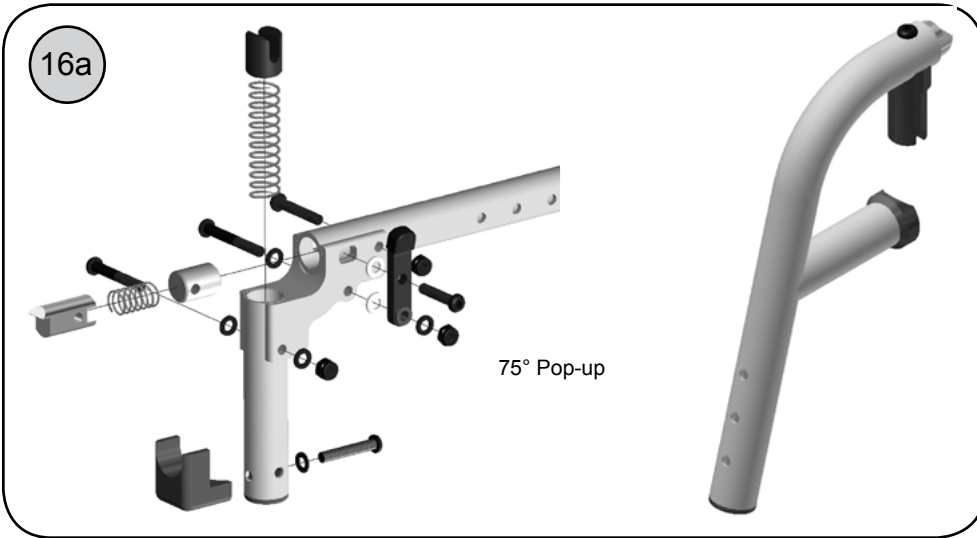
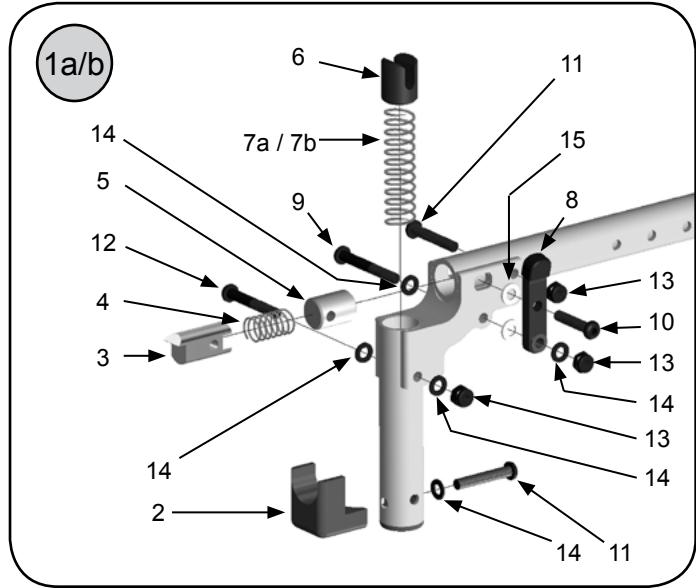
These hangers require footplate assemblies shown on pages 48-53



Hangers - Latch, Swing-In, Swing-Out (cont.)

| POS. | ITEM # | DESCRIPTION | QTY | ASSY | NOTES: |
|------|---------|--------------------------------|-----|------|--------------------------------|
| ① | 18073-L | HANGER ASSY 90 DEG S/A LATCH L | 1 | 1 | INCLUDES POS. 3a, 6-16 |
| ① | 18073-R | HANGER ASSY 90 DEG S/A LATCH R | 1 | 1 | INCLUDES POS. 3b, 6-16 |
| ① | 18073-2 | HANGER ASSY 90 DEG S/A LATCH | 2 | 1 | INCLUDES POS. 3, 6-16 |
| ② | 18074-L | HANGER ASSY 75 DEG S/A LATCH L | 1 | 1 | INCLUDES POS. 4a, 6-16 |
| ② | 18074-R | HANGER ASSY 75 DEG S/A LATCH R | 1 | 1 | INCLUDES POS. 4b, 6-16 |
| ② | 18074-2 | HANGER ASSY 75 DEG S/A LATCH | 2 | 1 | INCLUDES POS. 4, 6-16 |
| 3a | 18075-L | HANGER TUBE 90 DEG S/A LATCH L | 1 | 1 | |
| 3b | 18075-R | HANGER TUBE 90 DEG S/A LATCH R | 1 | 1 | |
| 3 | 18075-2 | HANGER TUBE 90 DEG S/A LATCH | 2 | 1 | |
| 4a | 18076-L | HANGER TUBE 75 DEG S/A LATCH L | 1 | 1 | |
| 4b | 18076-R | HANGER TUBE 75 DEG S/A LATCH R | 1 | 1 | |
| 4 | 18076-2 | HANGER TUBE 75 DEG S/A LATCH | 2 | 1 | |
| ⑤ | 18077-L | HANGER LATCH ASSY S/A 90/75 L | 1 | 1 | INCLUDES POS. 8-11a, 12, 14-16 |
| ⑤ | 18077-R | HANGER LATCH ASSY S/A 90/75 R | 1 | 1 | INCLUDES POS. 8-11b, 12, 14-16 |
| ⑤ | 18077-2 | HANGER LATCH ASSY S/A 90/75 PR | 2 | 1 | INCLUDES POS. 8-12, 14-16 |
| 6 | 3012 | HANGER PIVOT FITTING - LATCH | 1 | 1 | |
| 7 | 18079-1 | HANGER PIVOT INSERT - LATCH | 1 | 1 | |
| 8 | 18080-1 | HANGER LATCH MOLDED BASE | 1 | 1 | |
| 8 | 18080-2 | HANGER LATCH MOLDED BASE | 1 | 1 | |
| 9 | 18081-1 | HANGER LATCH PAWL SET | 2 | 1 | |
| 10 | 18082-1 | HANGER LATCH RELEASE SPRING | 1 | 1 | |
| 11a | 18083-L | HANGER LATCH RELEASE LEVER L | 1 | 1 | |
| 11b | 18083-R | HANGER LATCH RELEASE LEVER R | 1 | 1 | |
| 11 | 18083-2 | HANGER LATCH RELEASE LEVER | 2 | 1 | |
| 12 | 18084-1 | HANGER LATCH LEVER BUSHING | 2 | 1 | |
| 13 | 9063-4 | SCREW 1/4-20 X 1-1/2" SOCKET H | 4 | 1 | |
| 14 | 9102-4 | SCREW 10-32 X 1" BTTN HEAD | 4 | 5 | |
| 15 | 9086-4 | LOCKNUT 10-32 NYLOC | 4 | 5 | |
| 16 | 9031A-4 | WASHER #10 FLAT | 4 | | |

Hangers — Complete Hanger Retro & Components - Pop-up

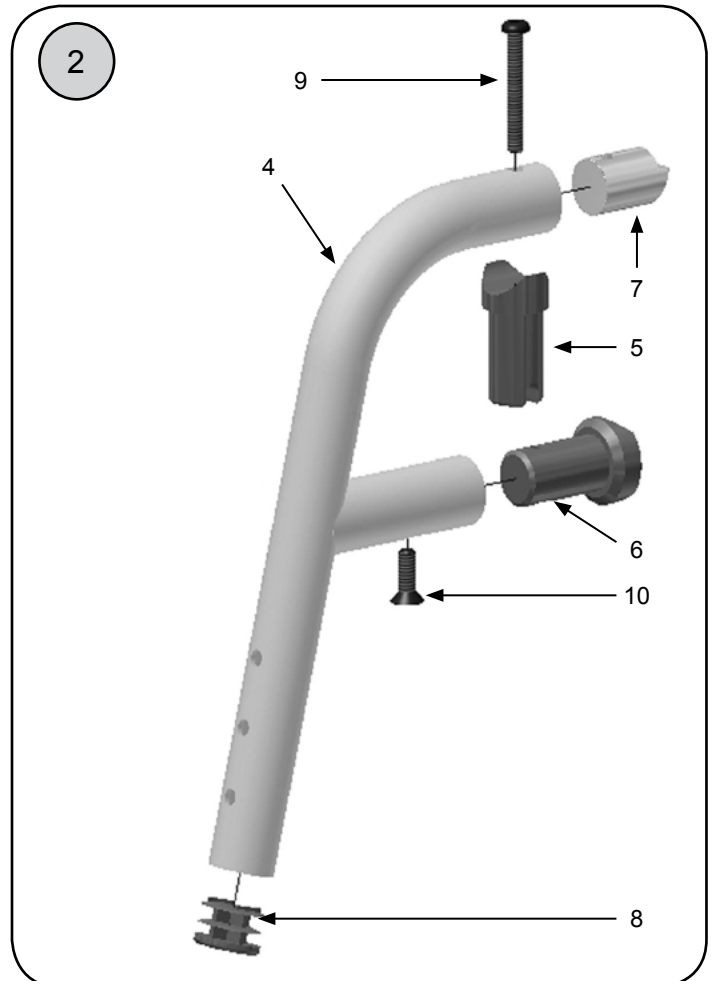
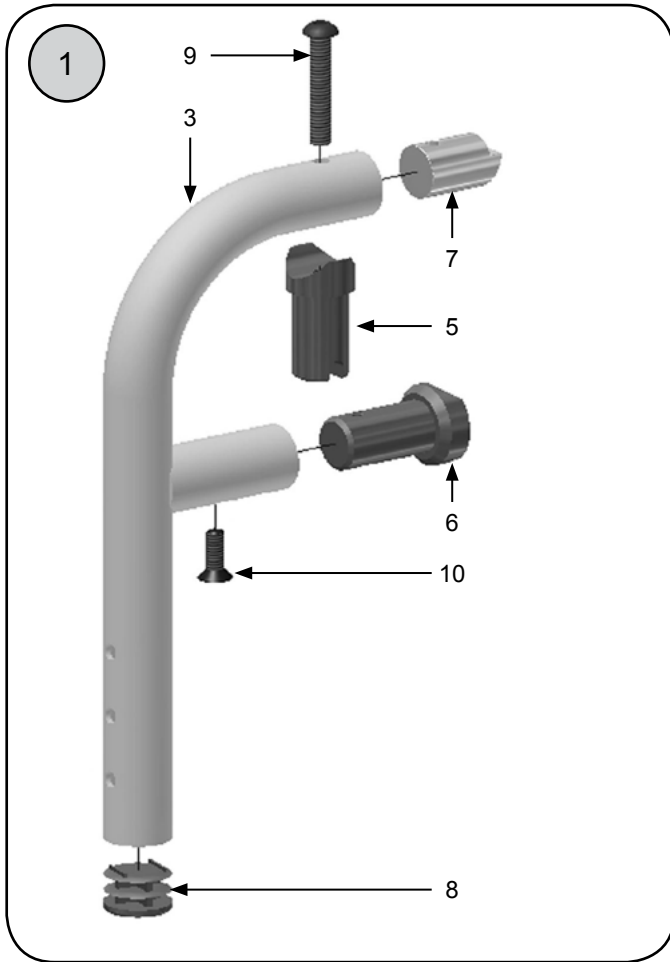


Hangers — Complete Hanger Retro & Components (cont.)

| POS. | ITEM # | DESCRIPTION | QTY | ASSY | NOTES: |
|------|---------|--------------------------------|-----|------|--|
| 1a | 18085-L | POP-UP HNGR HDWE ASSY 75/ELR L | 1 | 1 | INCLUDES POS. 2-7a, 8-15 |
| 1a | 18085-R | POP-UP HNGR HDWE ASSY 75/ELR R | 1 | 1 | INCLUDES POS. 2-7a, 8-15 |
| 1a | 18085-2 | POP-UP HNGR HDWE ASSY 75/ELR | 2 | 1 | INCLUDES POS. 2-7a, 8-15 |
| 1b | 18086-L | POP-UP HNGR HDWE ASSY 90 L | 1 | 1 | INCLUDES POS. 2-7b, 8-15 |
| 1b | 18086-R | POP-UP HNGR HDWE ASSY 90 R | 1 | 1 | INCLUDES POS. 2-7b, 8-15 |
| 1b | 18086-2 | POP-UP HNGR HDWE ASSY 90 PR | 2 | 1 | INCLUDES POS. 2-7b, 8-15 |
| 2 | 13015-1 | HANGER SUPPORT-POP-UP | 1 | 1 | |
| 2 | 13015-2 | HANGER SUPPORT-POP-UP | 2 | 1 | |
| 3 | 1011 | HANGER LATCH - POP-UP | 1 | 1 | |
| 4 | 1012 | HANGER LATCH SPRING - POP-UP | 1 | 1 | |
| 5 | 1013 | LATCH SEAT RAIL INSERT POP-UP | 1 | 1 | |
| 6 | 13016-1 | POP-UP HANGER LATCH PISTON | 1 | 1 | |
| 7a | 13017-1 | POP UP SPRING 75° HANGER | 1 | 1 | |
| 7b | 13018-1 | POP UP SPRING 90° HANGER | 1 | 1 | |
| 8 | 13019-1 | HANGER RELEASE LEVER POP-UP | 1 | 1 | |
| 9 | 9037-4 | SCREW 1/4-20 X 2" BUTTON HD | 4 | 1 | |
| 10 | 9034-4 | SCREW 1/4-20 X 1-1/4" BHCS | 4 | 1 | |
| 11 | 9035-4 | SCREW 1/4-20 X 1-1/2" BUTTON | 4 | 2 | |
| 12 | 9036-4 | SCREW 1/4-20 X 1-3/4" BUTTON | 4 | 1 | |
| 13 | 9073-4 | LOCKNUT 1/4-20 NYLON-THIN | 4 | 3 | |
| 14 | 9074-4 | WASHER 1/4" FLAT 1/2" OD | 4 | 5 | |
| 15 | 9010-4 | WASHER 1/4" NYLON 3/8" OD | 4 | 2 | |
| 16a | 18130-L | RETRO KIT LATCH TO POP-UP 75 L | 1 | 1 | INCLUDES POS. 1a & LEFT 75 DEG HANGER - SPECIFY COLOR |
| 16a | 18130-R | RETRO KIT LATCH TO POP-UP 75 R | 1 | 1 | INCLUDES POS. 1a & RIGHT 75 DEG HANGER - SPECIFY COLOR |
| 16a | 18130-2 | RETRO KIT LATCH TO POP-UP 75 | 2 | 1 | INCLUDES POS. 1a & PAIR 75 DEG HANGER - SPECIFY COLOR |
| 16b | 18131-L | RETRO KIT LATCH TO POP-UP 90 L | 1 | 1 | INCLUDES POS. 1b & LEFT 90 DEG HANGER - SPECIFY COLOR |
| 16b | 18131-R | RETRO KIT LATCH TO POP-UP 90 R | 1 | 1 | INCLUDES POS. 1b & RIGHT 90 DEG HANGER - SPECIFY COLOR |
| 16b | 18131-2 | RETRO KIT LATCH TO POP-UP 90 | 2 | 1 | INCLUDES POS. 1b & PAIR 90 DEG HANGER - SPECIFY COLOR |

Hangers—Pop Up Swing Away

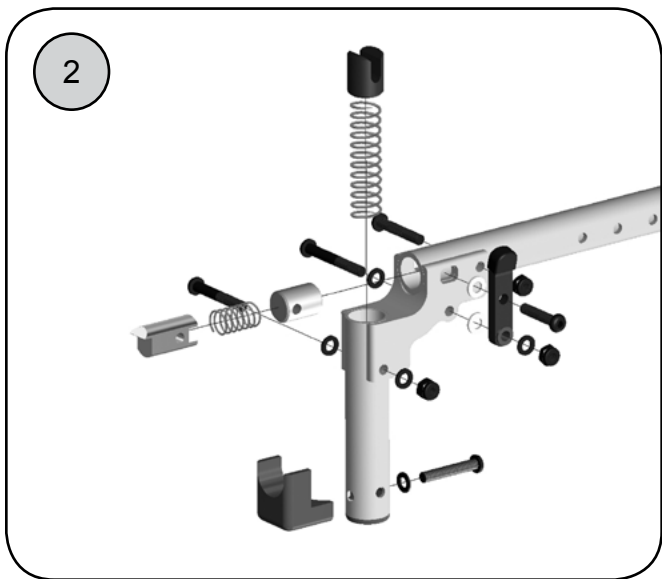
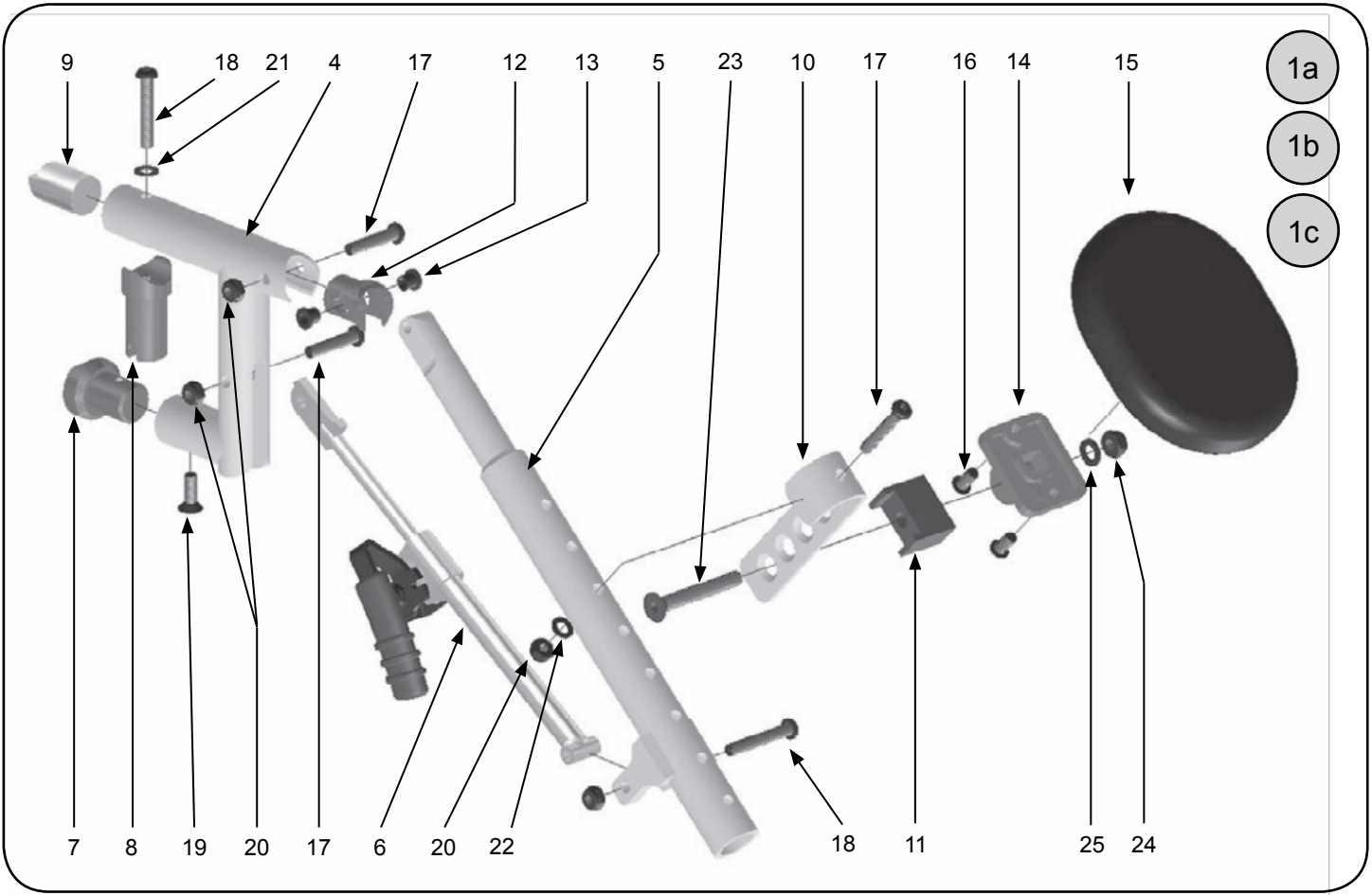
These hangers require footplate assemblies shown on pages 48 - 53



Hangers—Pop Up Swing Away (cont.)

| POS. | ITEM # | DESCRIPTION | QTY | ASSY | NOTES: |
|------|---------|--------------------------------|-----|------|-----------------------|
| ① | 20086-1 | HANGER ASSY 90° POP-UP L/R | 1 | 1 | INCLUDES POS. 3, 5-11 |
| ① | 20086-2 | HANGER ASSY 90° POP-UP PR | 2 | 1 | INCLUDES POS. 3, 5-11 |
| ② | 20087-1 | HANGER ASSY 75° POP-UP L/R | 1 | 1 | INCLUDES POS. 4-11 |
| ② | 20087-2 | HANGER ASSY 75° POP-UP PR | 2 | 1 | INCLUDES POS. 4-11 |
| 3 | 20089-1 | HANGER TUBE 90° POP-UP L/R | 1 | 1 | |
| 3 | 20089-2 | HANGER TUBE 90° POP-UP L/R | 2 | 1 | |
| 4 | 20088-1 | HANGER TUBE 75° POP-UP L/R | 1 | 1 | |
| 4 | 20088-2 | HANGER TUBE 75° POP-UP L/R | 2 | 1 | |
| 5 | 3013 | HANGER PIVOT FITTING - POP-UP | 1 | 1 | |
| 6 | 1015 | HANGER ALIGNMENT GUIDE -POP-UP | 1 | 1 | |
| 7 | 1010 | HANGER LOCKING INSERT POP-UP | 1 | 1 | |
| 8 | 9000-4 | TUBE PLUG - 1" | 4 | 1 | |
| 9 | 9036-4 | SCREW 1/4-20 X 1-3/4" BUTTON | 4 | 1 | |
| 10 | 9046-4 | SCREW 1/4-20 X 3/4" FLAT HEAD | 4 | 1 | |

Hangers—Pop Up Elevating Legrest



Hangers—Pop Up Elevating Legrest (cont.)

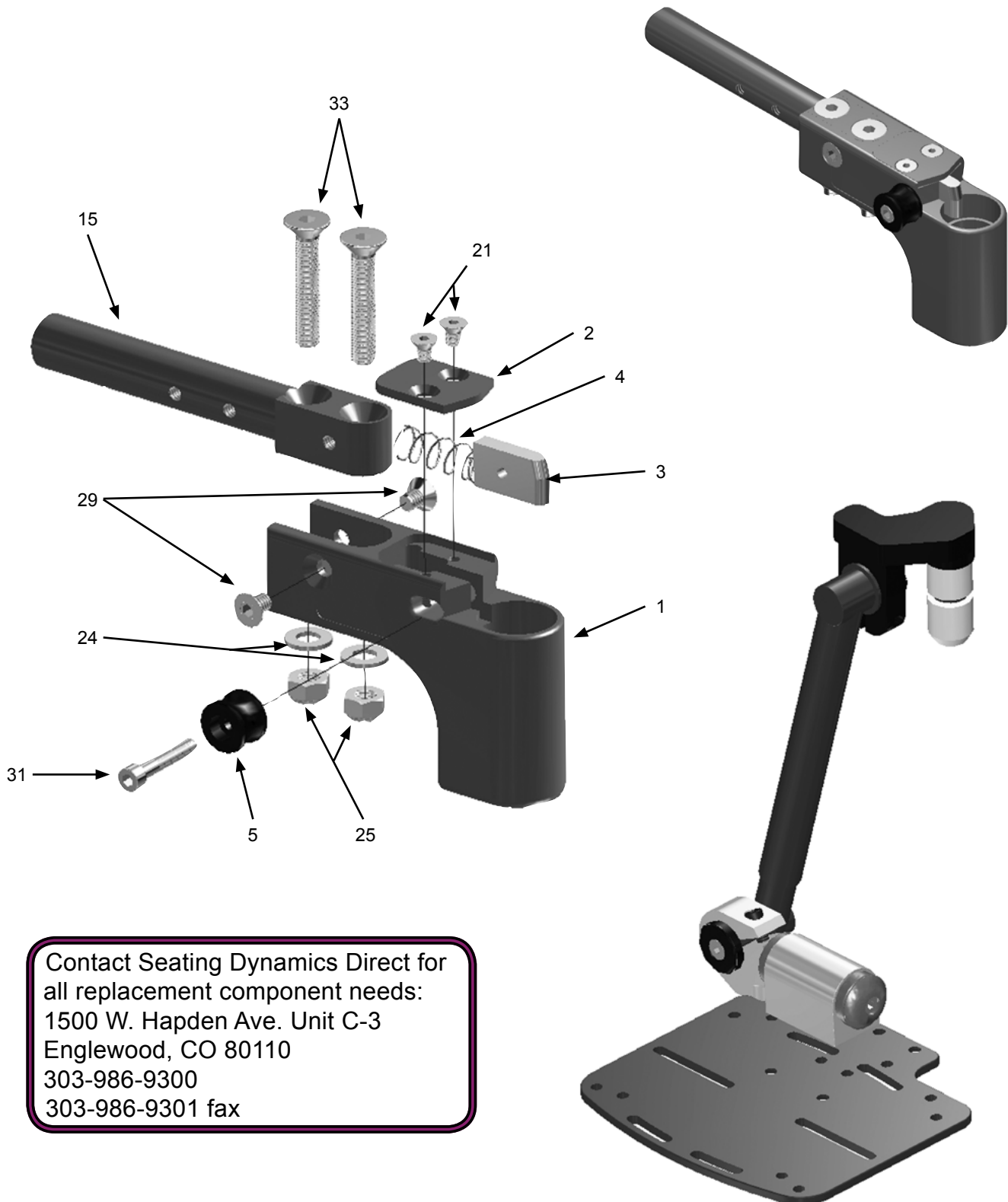
| POS. | ITEM # | DESCRIPTION | QTY | ASSY | NOTES: |
|------|---------|--------------------------------|-----|------|---|
| 1a | 14180-L | ELR ASSY W/O PAD & FTPLT L | 1 | 1 | SPECIFY FRAME COLOR / SPECIFY FRAME WIDTH |
| 1a | 14180-R | ELR ASSY W/O PAD & FTPLT R | 1 | 1 | SPECIFY FRAME COLOR / SPECIFY FRAME WIDTH |
| 1a | 14180-2 | ELR ASSY W/O PAD & FTPLT PR | 2 | 1 | SPECIFY FRAME COLOR / SPECIFY FRAME WIDTH |
| 1b | 14181-L | ELR ASSY W/ PAD - W/O FTPLT L | 1 | 1 | SPECIFY FRAME COLOR / SPECIFY FRAME WIDTH |
| 1b | 14181-R | ELR ASSY W/ PAD - W/O FTPLT R | 1 | 1 | SPECIFY FRAME COLOR / SPECIFY FRAME WIDTH |
| 1b | 14181-2 | ELR ASSY W/ PAD - W/O FTPLT PR | 2 | 1 | SPECIFY FRAME COLOR / SPECIFY FRAME WIDTH |
| 1c | 14182-L | ELR ASSY W/ PAD FTPLT 10-11 L | 1 | 1 | SPECIFY FRAME COLOR |
| 1c | 14182-R | ELR ASSY W/ PAD FTPLT 10-11 R | 1 | 1 | SPECIFY FRAME COLOR |
| 1c | 14182-2 | ELR ASSY W/ PAD FTPLT 10-11 PR | 2 | 1 | SPECIFY FRAME COLOR |
| 1c | 14183-L | ELR ASSY W/ PAD FTPLT 12-13 L | 1 | 1 | SPECIFY FRAME COLOR |
| 1c | 14183-R | ELR ASSY W/ PAD FTPLT 12-13 R | 1 | 1 | SPECIFY FRAME COLOR |
| 1c | 14183-2 | ELR ASSY W/ PAD FTPLT 12-13 PR | 2 | 1 | SPECIFY FRAME COLOR |
| 1c | 14184-L | ELR ASSY W/ PAD FTPLT 14-15 L | 1 | 1 | SPECIFY FRAME COLOR |
| 1c | 14184-R | ELR ASSY W/ PAD FTPLT 14-15 R | 1 | 1 | SPECIFY FRAME COLOR |
| 1c | 14184-2 | ELR ASSY W/ PAD FTPLT 14-15 PR | 2 | 1 | SPECIFY FRAME COLOR |
| 1c | 14185-L | ELR ASSY W/ PAD FTPLT 16-17 L | 1 | 1 | SPECIFY FRAME COLOR |
| 1c | 14185-R | ELR ASSY W/ PAD FTPLT 16-17 R | 1 | 1 | SPECIFY FRAME COLOR |
| 1c | 14185-2 | ELR ASSY W/ PAD FTPLT 16-17 PR | 2 | 1 | SPECIFY FRAME COLOR |
| 1c | 14186-L | ELR ASSY W/ PAD FTPLT 18-20 L | 1 | 1 | SPECIFY FRAME COLOR |
| 1c | 14186-R | ELR ASSY W/ PAD FTPLT 18-20 R | 1 | 1 | SPECIFY FRAME COLOR |
| 1c | 14186-2 | ELR ASSY W/ PAD FTPLT 18-20 PR | 2 | 1 | SPECIFY FRAME COLOR |
| 2 | 18085-L | POP-UP HNGR HDWE ASSY 75/ELR L | 1 | 1 | SEE PAGE 71 COR INDIVIDUAL COMPONENTS |
| 2 | 18085-R | POP-UP HNGR HDWE ASSY 75/ELR R | 1 | 1 | SEE PAGE 71 COR INDIVIDUAL COMPONENTS |
| 2 | 18085-2 | POP-UP HNGR HDWE ASSY 75/ELR | 2 | 1 | SEE PAGE 71 COR INDIVIDUAL COMPONENTS |
| 3 | 20094-1 | 4.5" HANGER EXT ELEVATING LEGR | 1 | 1 | |
| 3 | 20094-2 | 4.5" HANGER EXT ELEVATING LEGR | 2 | 1 | |
| 4 | 14211-1 | ELR HANGER UPPER WELDMENT | 1 | 1 | SPECIFY FRAME COLOR |
| 4 | 14211-2 | ELR HANGER UPPER WELDMENT | 2 | 1 | SPECIFY FRAME COLOR |
| 5 | 14173-1 | ELR HANGER LOWER MOUNT TUBE | 1 | 1 | SPECIFY FRAME COLOR |
| 5 | 14173-2 | ELR HANGER LOWER MOUNT TUBE | 2 | 1 | SPECIFY FRAME COLOR |
| 6a | 14190-L | ELR LOCKING MECHANISM L | 1 | 1 | |
| 6b | 14190-R | ELR LOCKING MECHANISM R | 1 | 1 | |
| 6 | 14190-2 | ELR LOCKING MECHANISM PR | 2 | 1 | |
| 7 | 1015 | HANGER ALIGNMENT GUIDE -POP-UP | 1 | 1 | |
| 8 | 3013 | HANGER PIVOT FITTING - POP-UP | 1 | 1 | |
| 9 | 1010 | HANGER LOCKING INSERT POP-UP | 1 | 1 | |

Continued Next Page

Hangers—Pop Up Elevating Legrest (cont.)

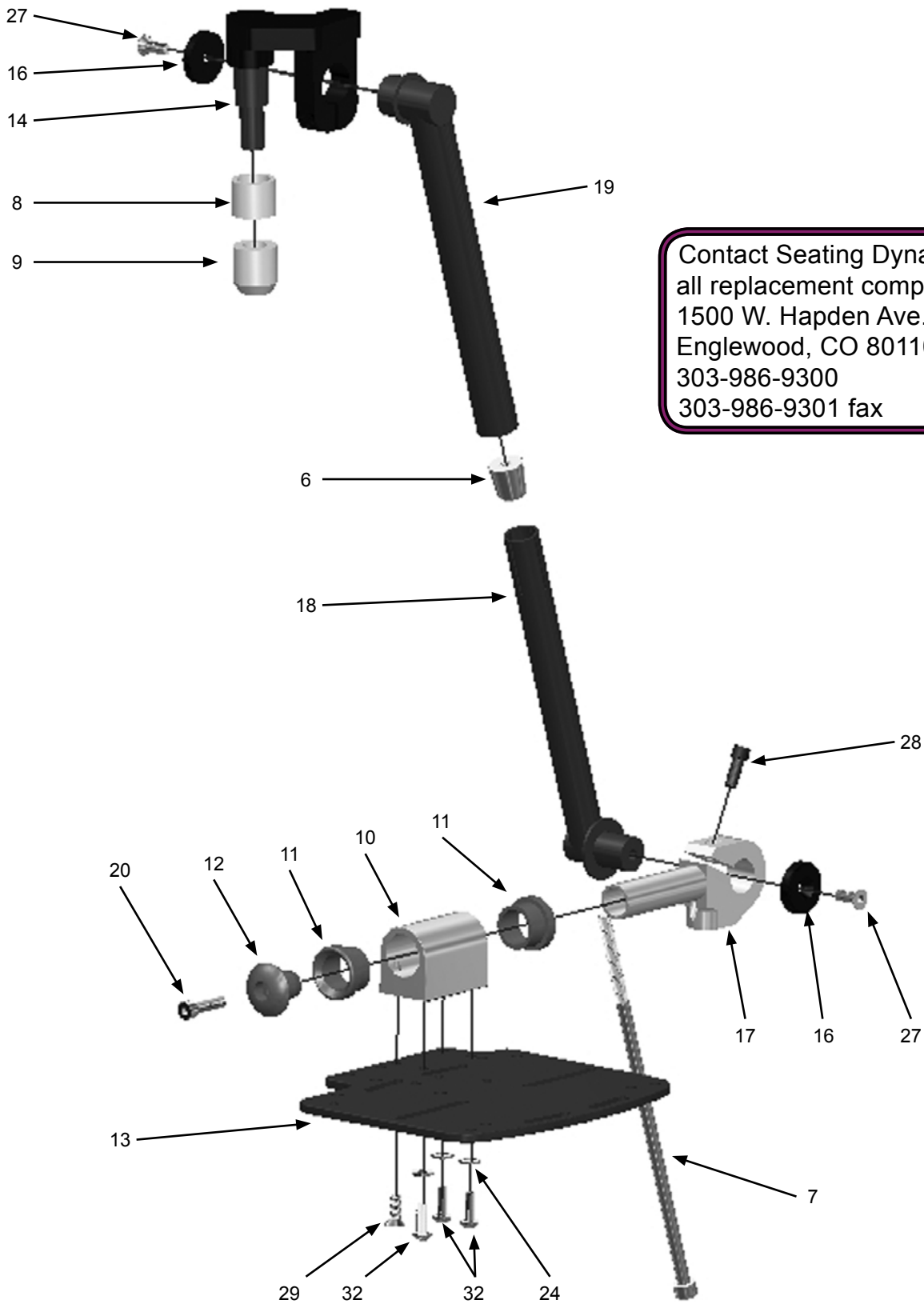
| POS. | ITEM # | DESCRIPTION | QTY | ASSY | NOTES: |
|------|---------|--------------------------------|-----|------|-----------------|
| 10 | 14194-1 | ELR CALF PAD MTG BRKT | 1 | 1 | SPECIFY COLOR |
| 11 | 14191-1 | ELR CALF PAD ANGLE STOP | 1 | 1 | |
| 12 | 14192-1 | ELR PIVOT INSERT SLEEVE | 1 | 1 | |
| 13 | 14193-4 | ELR PIVOT INSERT BUSHING | 4 | 1 | |
| 14 | 14209-1 | ELR CALF PAD MOUNT PLATE | 1 | 1 | |
| 15 | 14410-1 | ELR CALF PAD - BLACK 10-11W | 1 | 1 | BLACK NAUGAHYDE |
| 15 | 14410-2 | ELR CALF PAD - BLACK 10-11W | 2 | 1 | BLACK NAUGAHYDE |
| 15 | 14411-1 | ELR CALF PAD - BLACK 12-13W | 1 | 1 | BLACK NAUGAHYDE |
| 15 | 14411-2 | ELR CALF PAD - BLACK 12-13W | 2 | 1 | BLACK NAUGAHYDE |
| 15 | 14412-1 | ELR CALF PAD - BLACK 14-15W | 1 | 1 | BLACK NAUGAHYDE |
| 15 | 14412-2 | ELR CALF PAD - BLACK 14-15W | 2 | 1 | BLACK NAUGAHYDE |
| 15 | 14413-1 | ELR CALF PAD - BLACK 16-17W | 1 | 1 | BLACK NAUGAHYDE |
| 15 | 14413-2 | ELR CALF PAD - BLACK 16-17W | 2 | 1 | BLACK NAUGAHYDE |
| 15 | 14414-1 | ELR CALF PAD - BLACK 18-20W | 1 | 1 | BLACK NAUGAHYDE |
| 15 | 14414-2 | ELR CALF PAD - BLACK 18-20W | 2 | 1 | BLACK NAUGAHYDE |
| 16 | 9034-4 | SCREW 1/4-20 X 1-1/4" BHCS | 4 | 2 | |
| 17 | 9035-4 | SCREW 1/4-20X 1-1/2" BUTTON | 4 | 1 | |
| 18 | 9036-4 | SCREW 1/4-20 X 1-3/4" BUTTON | 4 | 2 | |
| 19 | 9046-4 | SCREW 1/4-20 X 3/4" FLAT HEAD | 4 | 1 | |
| 20 | 9073-4 | LOCKNUT 1/4-20 NYLON-THIN | 4 | 3 | |
| 21 | 9074-4 | WASHER 1/4" FLAT 1/2" OD | 4 | 1 | |
| 22 | 9075-4 | WASHER 1/4" FLAT-THIN | 4 | 1 | |
| 23 | 9103-4 | SCREW 5/16-18 X 2 1/4" FLAT HD | 4 | 1 | |
| 24 | 9088-4 | LOCKNUT 5/16-18 NYLOC-THIN | 4 | 1 | |
| 25 | 9090-4 | WASHER 5/16" FLAT THIN | 4 | 1 | |

Hangers—Super Contracture Legrests OEM Parts



Contact Seating Dynamics Direct for all replacement component needs:
 1500 W. Hapden Ave. Unit C-3
 Englewood, CO 80110
 303-986-9300
 303-986-9301 fax

Hangers—Super Contracture Legrests OEM Parts (cont.)

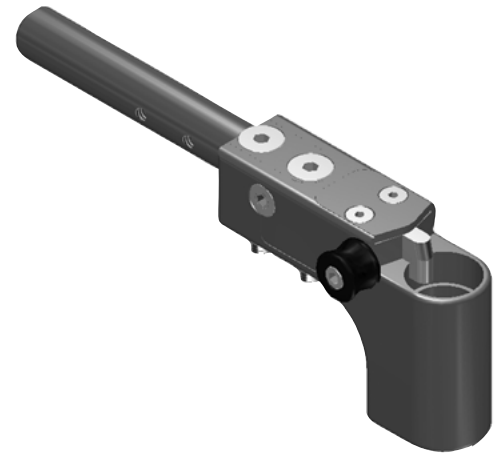
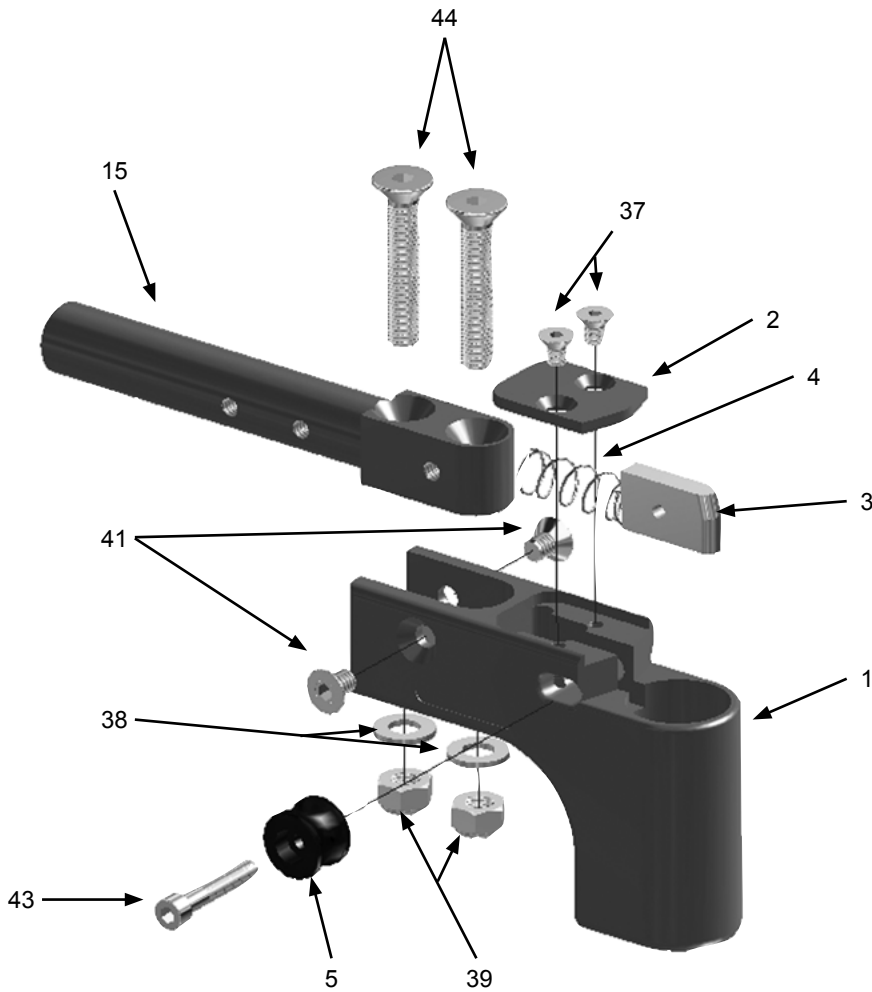


Contact Seating Dynamics Direct for
all replacement component needs:
1500 W. Hapden Ave. Unit C-3
Englewood, CO 80110
303-986-9300
303-986-9301 fax

Hangers—Super Contracture Legrests OEM Parts (cont.)

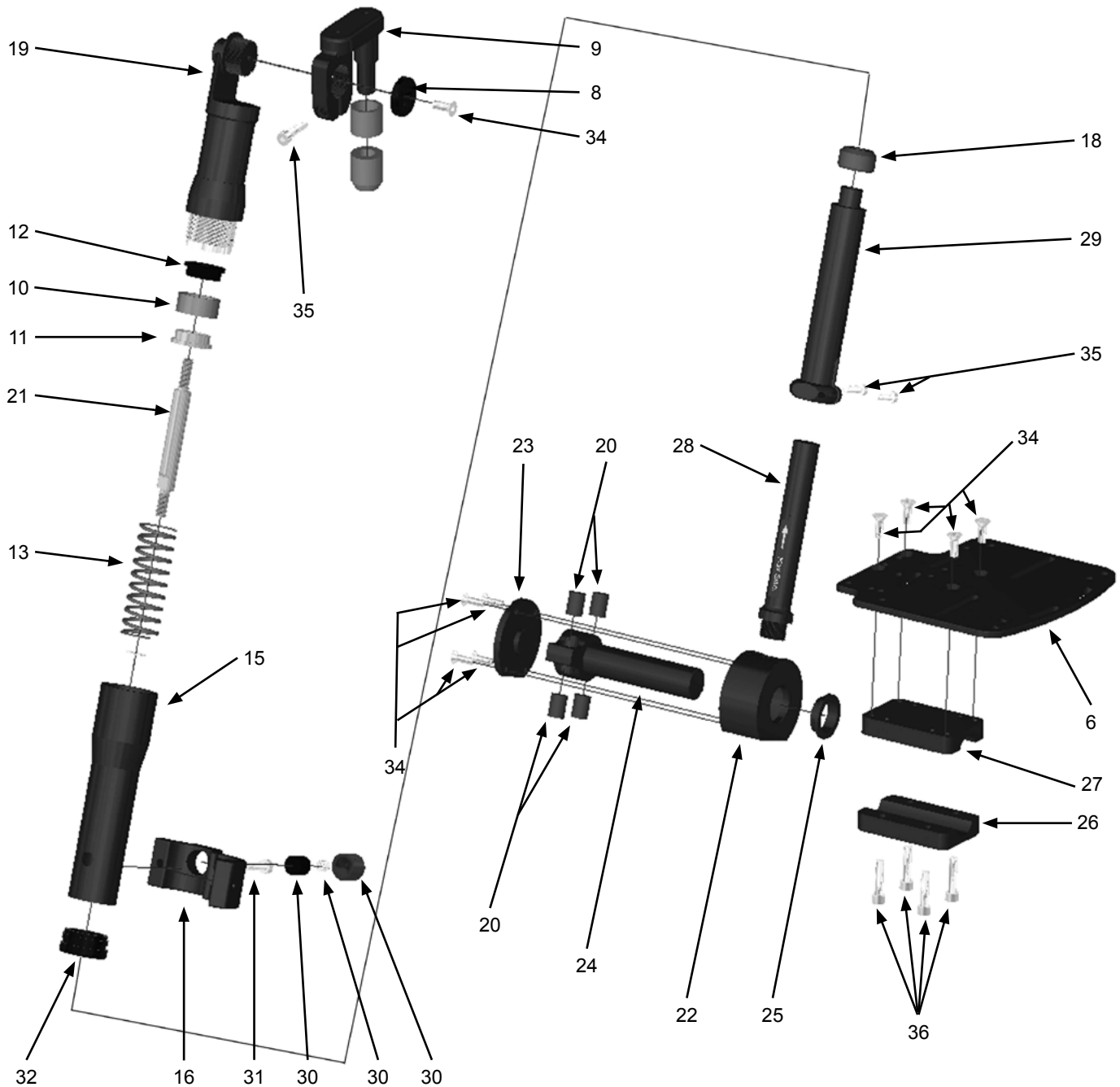
| POS. | ITEM # | DESCRIPTION | QTY | ASSY | NOTES: |
|------|--------------|---|-----|------|--------|
| 1 | 502001-002-B | Legrest Receiver, After Market | | 2 | |
| 2 | 502016-002-A | Legrest Receiver Cover Plate, After Market | | 2 | |
| 3 | 502017-D | Legrest Receiver Key | | 2 | |
| 4 | 502018-A | Legrest Receiver Spring | | 2 | |
| 5 | 502019-B | Legrest Receiver Actuator Button | | 2 | |
| 6 | 505007-A | Footrest Tube Conical Wedge - 3/4" Tube | | 2 | |
| 7 | 505009 | Footrest Tube Draw Bolt, Short | | 2 | |
| 8 | 505017-B | Bushing, Upper Leg Post | | 2 | |
| 9 | 505018-B | Bushing, Lower Leg Post | | 2 | |
| 10 | 505021-C | Footplate Pivot Block | | 2 | |
| 11 | 505022-C | Bushing, Pivot Block | | 4 | |
| 12 | 505023-C | Retainer Plug, Pivot Block | | 2 | |
| 13 | 505025-B | Footplate 5"x 7" - RH | | 1 | |
| 13 | 505033-B | Footplate 5"x 7" - LH | | 1 | |
| 14 | 505046 | Leg Post Hanger Weldment, Contracture, LH | | 1 | |
| 14 | 505047 | Leg Post Hanger Weldment, Contracture, RH | | 1 | |
| 15 | 505059-004-A | Adapter, Legrest Receiver - Freedom CGX / NXT | | 2 | |
| 16 | 505117-A | Cap, Adj. Angle Footrest End | | 2 | |
| 17 | 505118-E | Pivot Arm Ankle PD Joint | | 2 | |
| 18 | 505121-001 | Adj Footrest Weldment, 3/4" Dia Tube, Short | | 2 | |
| 19 | 505138-001 | Adj Knee Tube Weldment | | 2 | |
| 20 | F0519 | M5x30 SHCS Zinc | | 2 | |
| 21 | F0523 | M5x8 FHSCS, Zinc | | 4 | |
| 22 | F0524 | M5x8mm .8 SHSS, Zinc | | 4 | |
| 23 | F0601 | M6 Flat Washer, Zinc | | 10 | |
| 24 | F0603 | M6 High Collar Split Washer Small OD | | 2 | |
| 25 | F0605 | M6 Lock Nut, Zinc | | 4 | |
| 26 | F0606 | M6 Split Washer Sm OD Zinc To Fit Under Head Of M6 SHCS | | 2 | |
| 27 | F0615 | M6x16 FHSCS, Zinc | | 6 | |
| 28 | F0616 | M6x16 SHCS, 8.8, Zinc | | 6 | |
| 29 | F0619 | M6x20 FHSCS, Zinc | | 4 | |
| 30 | F0622 | M6x25 SHCS, 8.8, Zinc | | 2 | |
| 31 | F0623 | M6x25 SHCS PLATED - GR 12.9 | | 2 | |
| 32 | F0625 | M6x30 SHCS, Zinc | | 2 | |
| 33 | F0653 | M6x35 FHCS, Zinc | | 4 | |

Hangers—2D Dynamic Legrests OEM Parts



Contact Seating Dynamics Direct for
all replacement component needs:
1500 W. Hapden Ave. Unit C-3
Englewood, CO 80110
303-986-9300
303-986-9301 fax

Hangers—2D Dynamic Legrests OEM Parts (cont.)



Contact Seating Dynamics Direct for
all replacement component needs:
1500 W. Hapden Ave. Unit C-3
Englewood, CO 80110
303-986-9300
303-986-9301 fax

Hangers—2D Dynamic Legrests OEM Parts (cont.)

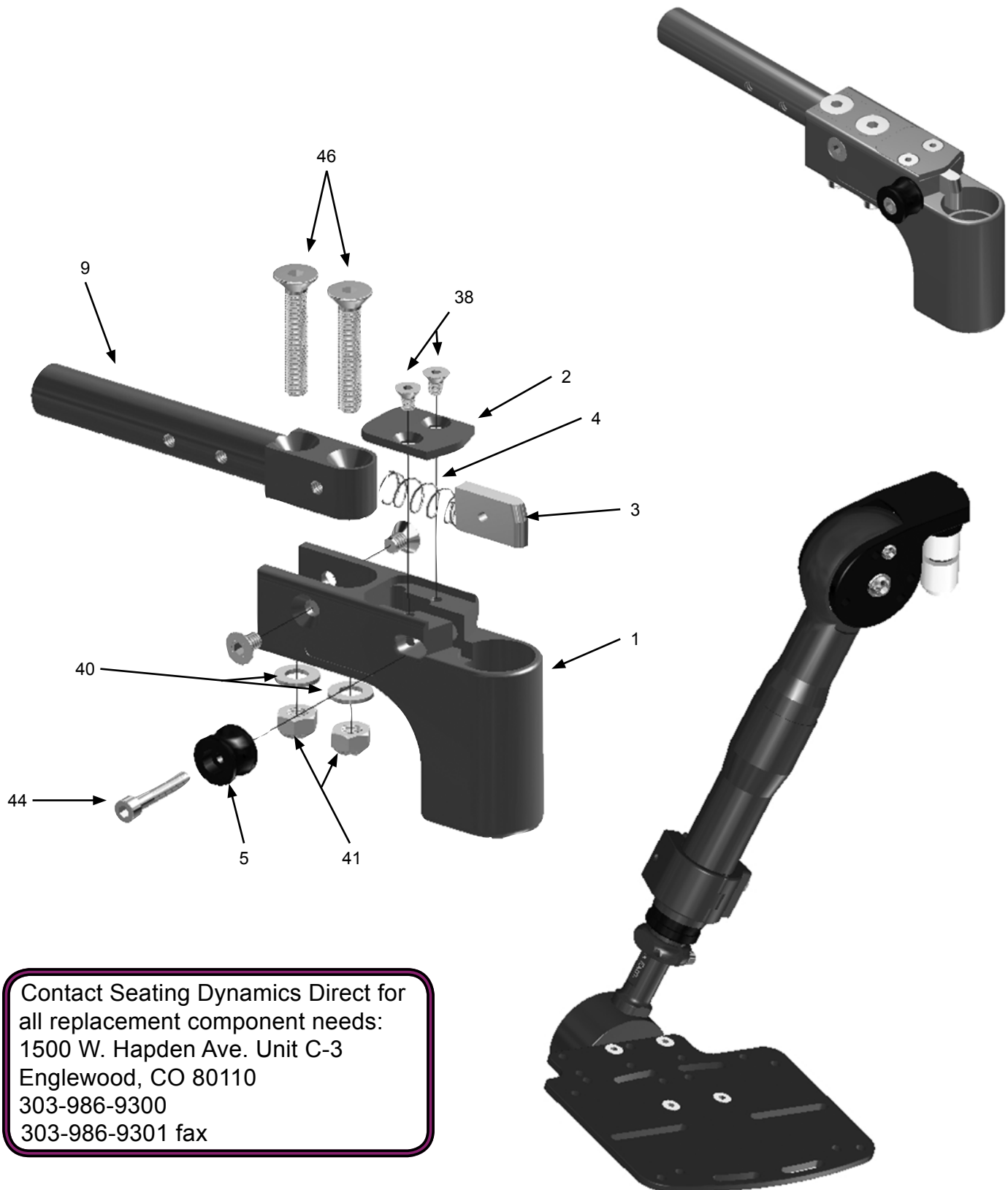
| POS. | ITEM # | DESCRIPTION | QTY | ASSY | NOTES: |
|------|--------------|---|-----|------|-----------|
| 1 | 502001-002-B | Legrest Receiver, After Market | | 2 | |
| 2 | 502016-002-A | Legrest Receiver Cover Plate, After Market | | 2 | |
| 3 | 502017-D | Legrest Receiver Key | | 2 | |
| 4 | 502018-A | Legrest Receiver Spring | | 2 | |
| 5 | 502019-B | Legrest Receiver Actuator Button | | 2 | |
| 6 | 505025-B | Footplate 5"x7" - RH | | 1 | |
| 6 | 505033-B | Footplate 5"x7" - LH | | 1 | |
| 7 | 505059-004-A | Adapter, Legrest Receiver - Freedom CGX / NXT | | 2 | |
| 8 | 505117-A | Cap, Adj. Angle Footrest End | | 2 | |
| 9 | 505139-D | Adj Knee Post Weldment | | 2 | |
| 10 | 505305-A | DTF Upper Guide Bushing | | 2 | |
| 11 | 505306-001 A | DTF Spring Stop | | 2 | |
| 12 | 505306-002 B | DTF Spring Stop, Threaded | | 2 | |
| 13 | 505307-001 | DTF Spring 29# Max Force | | 2 | |
| 13 | 505307-002 | DTF Spring 40# Max Force | | 2 | |
| 13 | 505307-003 | DTF Spring 63# Max Force | | 2 | |
| 14 | 505308-001-A | DTF Locknut - Steel Housing | | 2 | |
| 15 | 505309-C | DTF Lower Housing | | 2 | |
| 16 | 505311-001-A | DTF Clamp - Adjuster Side | | 2 | |
| 17 | 505311-002-A | DTF Clamp - Pin Side | | 2 | NOT SHOWN |
| 18 | 505312-A | DTF Lower Guide Bushing | | 2 | |
| 19 | 505314-A | DTF Adj Knee Tube Weldment | | 2 | |
| 20 | 505322-002-A | DPD Impact Spring - Clear / Medium | | 8 | |
| 21 | 505329-B | DTF Connecting Rod | | 2 | |
| 22 | 505340-C | DPD Housing | | 2 | |
| 23 | 505341-A | DPD Housing Cover | | 2 | |
| 24 | 505342-C | DPD Footplate Axle | | 2 | |
| 25 | 505343-A | DPD Footplate Axle Bushing | | 2 | |
| 26 | 505344-A | DPD Footplate Clamp | | 2 | |
| 27 | 505345-A | DPD Footplate Mount | | 2 | |
| 28 | 505346-001-A | DPD Short Extension Shaft | | 2 | |
| 29 | 505347-B | DTF Piston | | 2 | |
| 30 | 505351-A | DTF Wear Button, Telescoping Extn. | | 2 | |
| 31 | 505352-A | DTF Adjusting Screw | | 2 | |
| 32 | 505354-A | DTF Upper Extension Cylinder Bushing | | 2 | |
| 33 | 505355 A | DPD Footplate Axle Thrust Washer | | 2 | NOT SHOWN |
| 34 | F0514 | M5x18 FHSCS Zinc | | 8 | |
| 35 | F0516 | M5x20 SHCS, Zinc | | 4 | |
| 36 | F0519 | M5x30 SHCS Zinc | | 2 | |
| 37 | F0523 | M5x8 FHSCS, Zinc | | 4 | |
| 38 | F0601 | M6 Flat Washer, Zinc | | 4 | |

Continued Next Page

Hangers—2D Dynamic Legrests OEM Parts (cont.)

| POS. | ITEM # | DESCRIPTION | QTY | ASSY | NOTES: |
|------|--------|---|-----|------|-----------|
| 39 | F0605 | M6 Lock Nut, Zinc | | 4 | |
| 40 | F0606 | M6 Split Washer Sm OD Zinc To Fit Under Head Of M6 SHCS | | 2 | NOT SHOWN |
| 41 | F0615 | M6x16 FHSCS, Zinc | | 14 | |
| 42 | F0620 | M6x20 SHCS, 8.8, Zinc | | 2 | |
| 43 | F0622 | M6x25 SHCS, 8.8, Zinc | | 10 | |
| 44 | F0653 | M6x35 FHCS, Zinc | | 4 | |
| 45 | F0802 | M8x1.25 Nylon Lock Nut Zinc Plated | | 2 | |

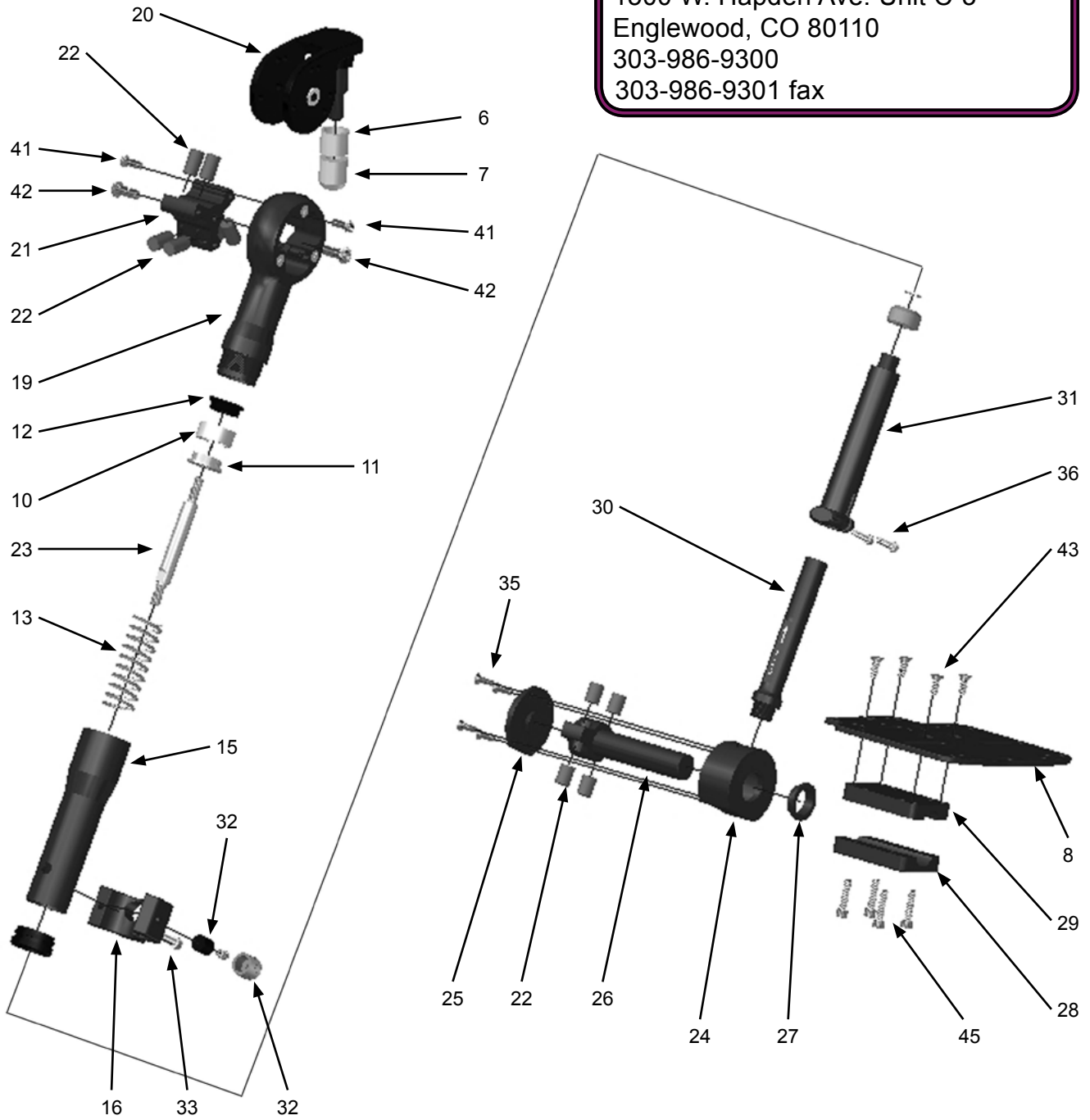
Hangers—3D Dynamic Legrests OEM Parts



Contact Seating Dynamics Direct for all replacement component needs:
 1500 W. Hapden Ave. Unit C-3
 Englewood, CO 80110
 303-986-9300
 303-986-9301 fax

Hangers—3D Dynamic Legrests OEM Parts

Contact Seating Dynamics Direct for all replacement component needs:
 1500 W. Hapden Ave. Unit C-3
 Englewood, CO 80110
 303-986-9300
 303-986-9301 fax



Hangers—3D Dynamic Legrests OEM Parts (cont.)


| POS. | ITEM # | DESCRIPTION | QTY | ASSY | NOTES: |
|------|--------------|---|-----|------|--------|
| 1 | 502001-002-B | Legrest Receiver, After Market | | 2 | |
| 2 | 502016-002-A | Legrest Receiver Cover Plate, After Market | | 2 | |
| 3 | 502017-D | Legrest Receiver Key | | 2 | |
| 4 | 502018-A | Legrest Receiver Spring | | 2 | |
| 5 | 502019-B | Legrest Receiver Actuator Button | | 2 | |
| 6 | 505017-B | Bushing, Upper Leg Post | | 2 | |
| 7 | 505018-B | Bushing, Lower Leg Post | | 2 | |
| 8 | 505025-B | Footplate 5"x7" - RH | | 1 | |
| 8 | 505033-B | Footplate 5"x7" - LH | | 1 | |
| 9 | 505059-004-A | Adapter, Legrest Receiver - Freedom CGX / NXT | | 2 | |
| 10 | 505305-A | DTF Upper Guide Bushing | | 2 | |
| 11 | 505306-001 A | DTF Spring Stop | | 2 | |
| 12 | 505306-002 B | DTF Spring Stop, Threaded | | 2 | |
| 13 | 505307-001 | DTF Spring 29# Max Force | | 2 | |
| 13 | 505307-002 | DTF Spring 40# Max Force | | 2 | |
| 13 | 505307-003 | DTF Spring 63# Max Force | | 2 | |
| 14 | 505308-002-A | DEF Locknut - Aluminum Housing | | 2 | |
| 15 | 505309-C | DTF Lower Housing | | 2 | |
| 16 | 505311-001-A | DTF Clamp - Adjuster Side | | 2 | |
| 17 | 505311-002-A | DTF Clamp - Pin Side | | 2 | |
| 18 | 505312-A | DTF Lower Guide Bushing | | 2 | |
| 19 | 505315-003-B | DEF Leg Post Weldment | | 2 | |
| 20 | 505318-B | DEF Hub / Upper Housing | | 2 | |
| 21 | 505319-A | DEF Axle | | 2 | |
| 22 | 505320-002-A | DEF Impact Spring - Clear / Medium | | 12 | |
| 22 | 505322-002-A | DPD Impact Spring - Clear / Medium | | 8 | |
| 23 | 505329-B | DTF Connecting Rod | | 2 | |
| 24 | 505340-C | DPD Housing | | 2 | |
| 25 | 505341-A | DPD Housing Cover | | 2 | |
| 26 | 505342-C | DPD Footplate Axle | | 2 | |
| 27 | 505343-A | DPD Footplate Axle Bushing | | 2 | |
| 28 | 505344-A | DPD Footplate Clamp | | 2 | |
| 29 | 505345-A | DPD Footplate Mount | | 2 | |
| 30 | 505346-001-A | DPD Short Extension Shaft | | 2 | |
| 31 | 505347-B | DTF Piston | | 2 | |
| 32 | 505351-A | DTF Wear Button, Telescoping Extn. | | 2 | |
| 33 | 505352-A | DTF Adjusting Screw | | 2 | |
| 34 | 505355 A | DPD Footplate Axle Thrust Washer | | 2 | |
| 35 | F0514 | M5x18 FHSCS Zinc | | 8 | |
| 36 | F0516 | M5x20 SHCS, Zinc | | 4 | |
| 37 | F0519 | M5x30 SHCS Zinc | | 2 | |

Continued Next Page

Hangers—3D Dynamic Legrests OEM Parts (cont.)

| POS. | ITEM # | DESCRIPTION | QTY | ASSY | NOTES: |
|------|--------|--|-----|------|--------|
| 38 | F0523 | M5x8 FHSCS, Zinc | | 4 | |
| 39 | F0527 | M5x10mm Plastic Phillips Pan Head Bolt | | 12 | |
| 40 | F0601 | M6 Flat Washer, Zinc | | 4 | |
| 41 | F0605 | M6 Lock Nut, Zinc | | 4 | |
| 42 | F0613 | M6x16 BHSCS Zinc | | 4 | |
| 43 | F0615 | M6x16 FHSCS, Zinc | | 12 | |
| 44 | F0620 | M6x20 SHCS, 8.8, Zinc | | 2 | |
| 45 | F0622 | M6x25 SHCS, 8.8, Zinc | | 8 | |
| 46 | F0653 | M6x35 FHCS, Zinc | | 4 | |
| 47 | F0802 | M8x1.25 Nylon Lock Nut Zinc Plated | | 2 | |
| 48 | F0811 | M8x20 SBHCS, Zinc | | 4 | |
| 49 | F9113 | Dowel Pin 1/8"x1.25" Stainless Steel | | 2 | |



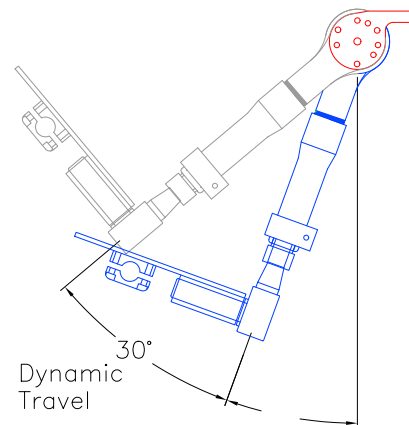
 We make wheelchairs better!

Dynamic Footrest Assembly to fit almost any wheelchair!

Several years in the works, the Seating Dynamics dynamic footrest came to life in September 2012. Drawing from the forty plus years of automotive, aircraft and LaBac experience, Greg Peek's latest creation is a Patent Pending dynamic footrest. A fresh design from a blank screen, this clean and elegant precision piece of equipment accomplishes what no other footrest has ever done!

Operating much like an automotive shock absorber the unit offers up to three different movements:

- Dynamic Semi-Elevating. Up to 30° of elevating travel at the knee. Initial angle may be set at:
 - 90°, 70°, 60°, 50°, or 40° and has 30° of dynamic travel beyond that initial setting.
 - Drop: Low Pivot - 13" - 15" or 15" - 17"
 - Drop: High Pivot - 8 1/2" - 10 1/2" or 10 1/2" - 12 1/2"
- Optional non-elevating angle adjustable knee. (7.5° incremental adjustment)
 - Drop: 14" - 16" or 16" - 18"
- Telescoping, 1 1/2" of telescopic travel with three different spring rates provided, 30, 40 & 60 pounds of force.
- Dynamic Plantar / Dorsi movement, ± 10° of travel.



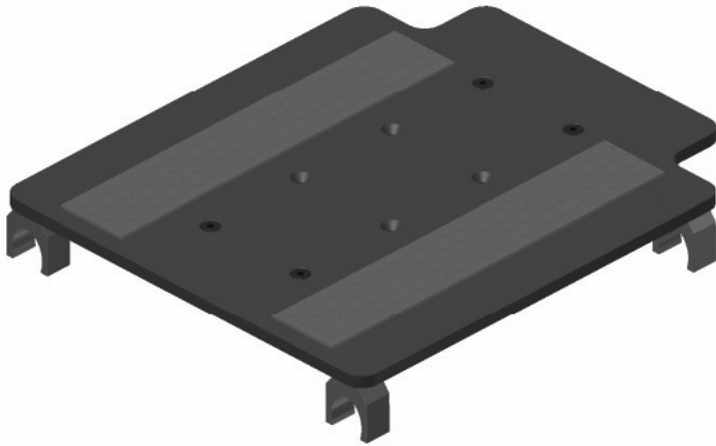
Example of Initial Angle Pre-Set at 70°

Available for many different wheelchairs from: Freedom Designs, Gunnell, Invacare, Ki Mobility, Permobil, Quickie, Ti Lite

Seating Dynamics energy absorbing components can turn almost any wheelchair into a dynamic wheelchair, adding function and durability. The results, less breakage and repairs, more uptime and you may see therapeutic benefits!

Seating—Seat Pans

1



ALL SEAT PANS MADE TO ORDER. SPECIFY FRAME WIDTH AND SEAT DEPTH. ALLOW FOR 5 DAY LEAD-TIME

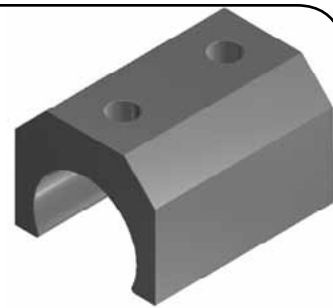
ALL SEAT PANS ARE NOTCHED 2" X 2" FOR BACKPOST CLEARANCE AND GROWTH.

ALL SEAT PANS INCLUDE HOOK AND LOOP FOR CUSHION MOUNTING

3



4



2



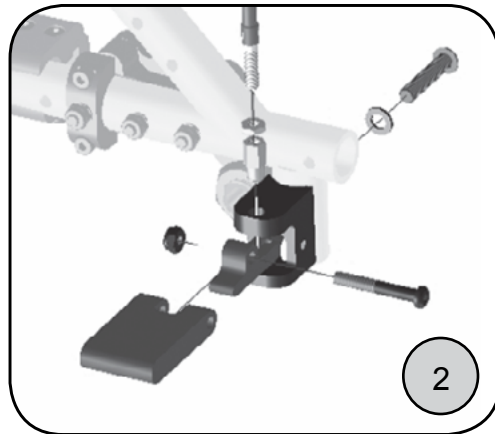
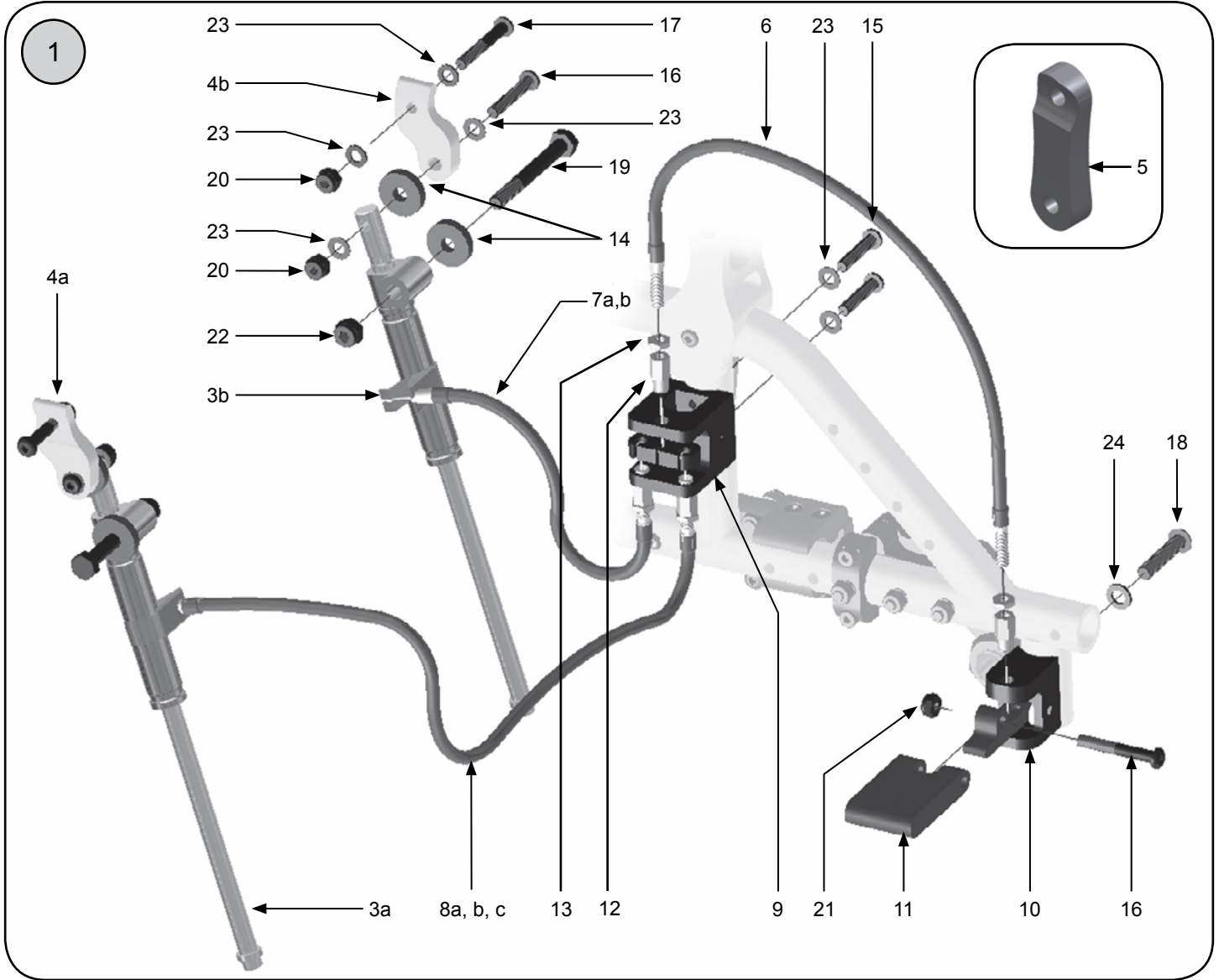
5



Seating—Seat Pans (cont.)

| POS. | ITEM # | DESCRIPTION | QTY | ASSY | NOTES: |
|------|--------|------------------------------|-----|------|--|
| ① | 10909 | SEAT PAN - REMOVABLE W/ HDWE | 1 | 1 | SPECIFY WIDTH, DEPTH / NOTCHED 2 X 2 FOR BACK CANES UNLESS OTHERWISE SPECIFIED |
| ② | 10910 | SEAT PAN - FIXED W/ HDWE | 1 | 1 | SPECIFY WIDTH, DEPTH / NOTCHED 2 X 2 FOR BACK CANES UNLESS OTHERWISE SPECIFIED |
| ③ | 504A | EZ LITE CLAMP STANDARD 1" | 1 | 4 | |
| ④ | 504B | EZ LITE CLAMP EXTENDED 1" | 1 | 4 | |
| ⑤ | SEZFC | SELECT EZ FRAME CLAMP KIT | 2 | 4 | |

Tilt Mechanism—Foot Activated Tilt



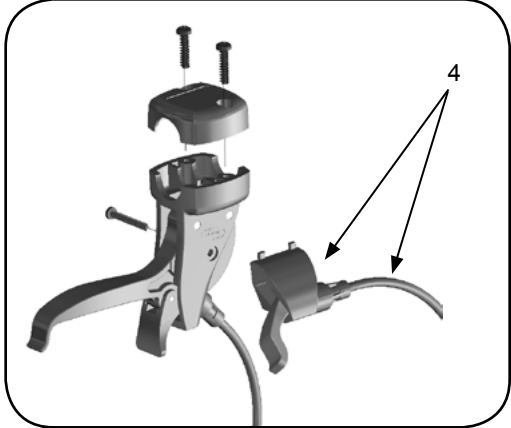
Foot Activated Tilt Option

Tilt Mechanism—Foot Activated Tilt (cont.)

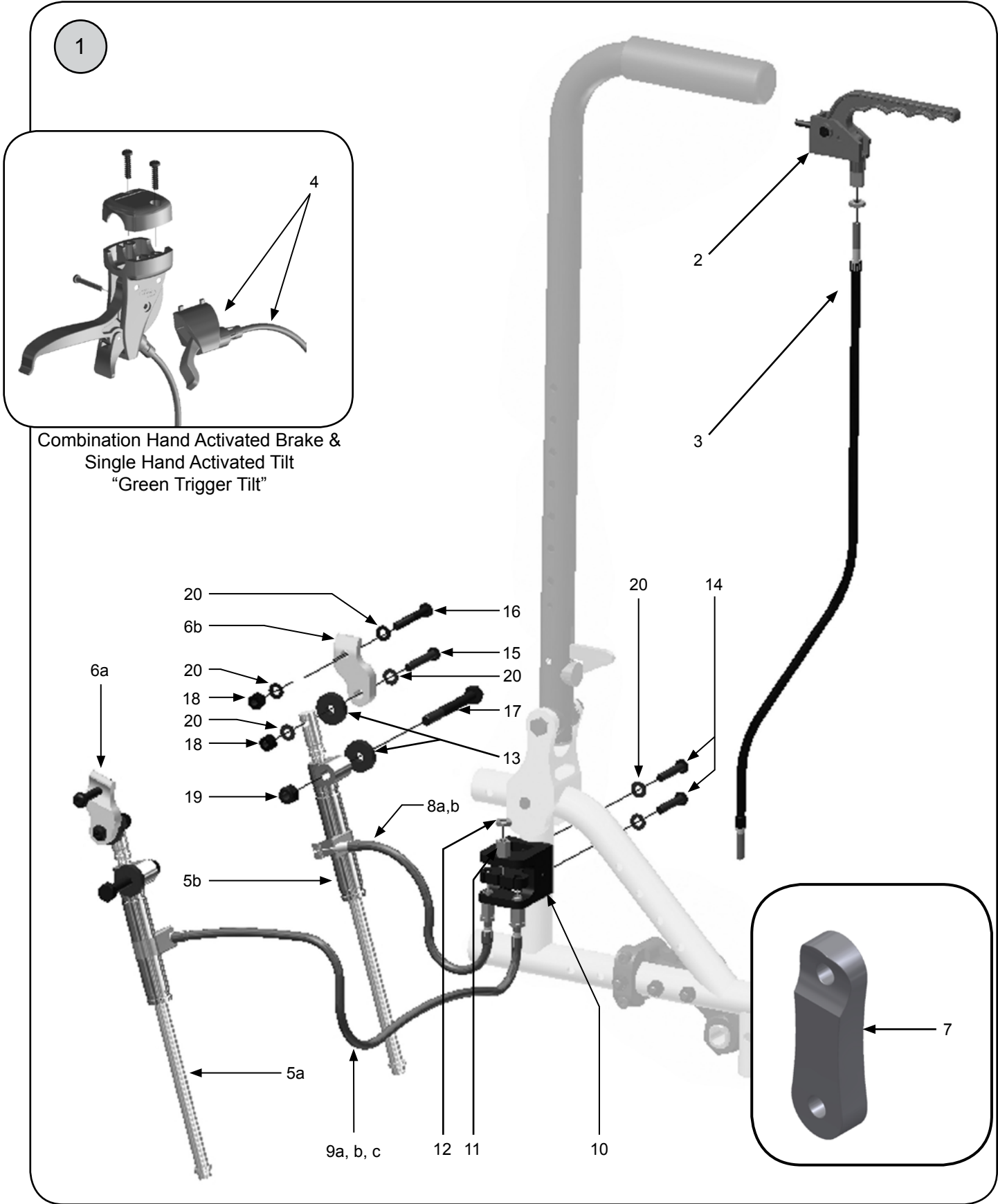
| POS. | ITEM # | DESCRIPTION | QTY | ASSY | NOTES: |
|------|---------|-------------------------------|-----|------|--|
| ① | 18088-2 | FOOT ACTIV TILT ASSY COMP NXT | 1 | 1 | INCLUDES POS. 3, 6-24 |
| ② | 18099-1 | FOOT ACTIV TILT PEDAL ASSY | 1 | 1 | INCLUDES POS. 10-11, 16, 18, 21, 24 |
| 3a | 18091-L | TILT MECH LOCK ONLY - NXT L | 1 | 1 | |
| 3b | 18091-R | TILT MECH LOCK ONLY - NXT R | 1 | 1 | |
| 3 | 18091-2 | TILT MECH LOCK ONLY - NXT PR | 2 | 1 | |
| 4a | 18092-L | MECH LOCK MTG BRKT LWR NXT L | 1 | 1 | ALL FRAMES |
| 4b | 18092-R | MECH LOCK MTG BRKT LWR NXT R | 1 | 1 | ALL FRAMES |
| 4 | 18092-2 | MECH LOCK MTG BRKT LWR NXT | 2 | 1 | ALL FRAMES |
| 5a | 18150-L | MECH LOCK MTG BRKT UPR NXT L | 1 | 1 | TALL TILT FRAMES ONLY |
| 5b | 18150-R | MECH LOCK MTG BRKT UPR NXT R | 1 | 1 | TALL TILT FRAMES ONLY |
| 5 | 18150-2 | MECH LOCK MTG BRKT UPR NXT | 1 | 1 | TALL TILT FRAMES ONLY |
| 6 | 18094-1 | FOOT ACT TILT PEDAL CABLE 15" | 1 | 1 | ALL FRAMES - PEDAL TO JUNCTION BLOCK |
| 7a | 18151-1 | FT ACTIV TILT MECH CABLE 10" | 1 | 1 | SMALL FRAME ONLY JUNCTION TO MECH RIGHT SIDE |
| 7b | 18152-1 | FT ACTIV TILT MECH CABLE 15" | 1 | 1 | MED & LONG FRAME JUNCTION TO MECH RIGHT SIDE |
| 8a | 18153-1 | FT ACTIV TILT MECH CABLE 20" | 1 | 1 | 10-12 WIDE FRAME JUNCTION TO MECH LEFT SIDE |
| 8b | 18154-1 | FT ACTIV TILT MECH CABLE 25" | 1 | 1 | 13-16 WIDE FRAME JUNCTION TO MECH LEFT SIDE |
| 8c | 18155-1 | FT ACTIV TILT MECH CABLE 30" | 1 | 1 | 17-20 WIDE FRAME JUNCTION TO MECH LEFT SIDE |
| 9 | 18095-1 | TILT CABLE JUNCTION BLK NXT | 1 | 1 | FOR FOOT & SINGLE HAND ACTIVATIONS |
| 10 | 18096-1 | FOOT TILT PEDAL BODY NXT | 1 | 1 | |
| 11 | 18097-1 | NXT TILT RELEASE PEDAL ONLY | 1 | 1 | |
| 12 | 18098-1 | TILT CABLE ADJ END FITTING | 1 | 1 | |
| 13 | 9125-4 | NUT 10MM JAM NUT | 4 | 1 | |
| 14 | 8997-4 | RUBBER BUSHING - THIN | 4 | 2 | |
| 15 | 9034-4 | SCREW 1/4-20 X 1-1/4" BHCS | 4 | 1 | |
| 16 | 9035-4 | SCREW 1/4-20X 1-1/2" BUTTON | 4 | 1 | |
| 17 | 9036-4 | SCREW 1/4-20 X 1-3/4" BUTTON | 4 | 1 | |
| 18 | 8713-2 | SCREW 5/16-18 x 1-1/2" BUTTON | 2 | 1 | |
| 19 | 9083-1 | SCREW 5/16-18 X 2-3/4" HEX HD | 1 | 1 | |
| 20 | 9072-4 | LOCKNUT 1/4-20 NYLON | 4 | 1 | |
| 21 | 9073-4 | LOCKNUT 1/4-20 NYLON-THIN | 4 | 1 | |
| 22 | 9088-4 | LOCKNUT 5/16-18 NYLOC-THIN | 4 | 1 | |
| 23 | 9074-4 | WASHER 1/4" FLAT 1/2" OD | 4 | 1 | |
| 24 | 9089-4 | WASHER 5/16" FLAT | 4 | 1 | |

Tilt Mechanism—Single Hand Activated Tilt

1



Combination Hand Activated Brake & Single Hand Activated Tilt
"Green Trigger Tilt"



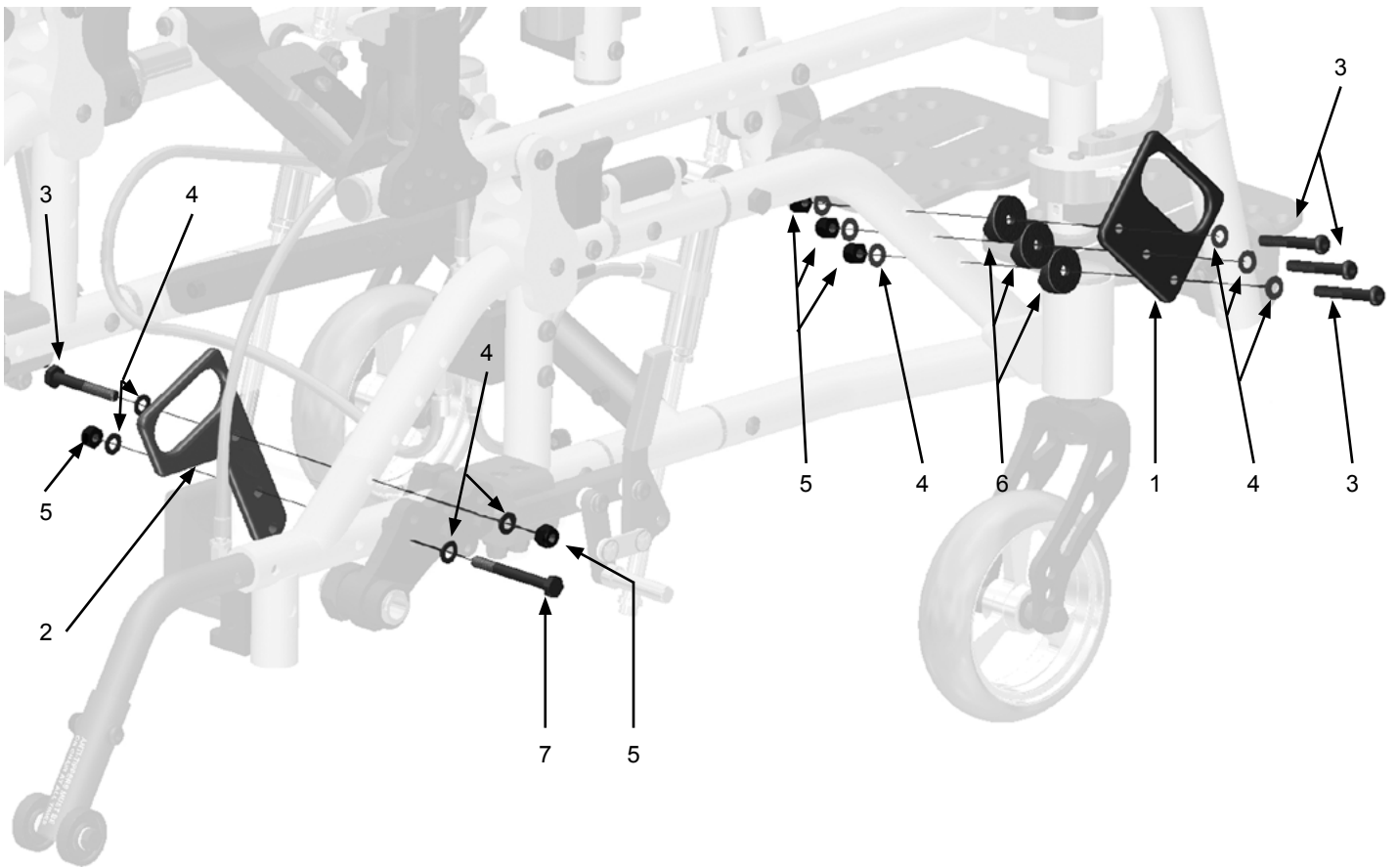
Tilt Mechanism—Single Hand Activated Tilt (cont.)

| POS. | ITEM # | DESCRIPTION | QTY | ASSY | NOTES: |
|------|---------|--------------------------------|-----|------|--|
| ① | 18089-2 | SNGLE HAND ACTIV TILT ASSY NXT | 1 | 1 | INCLUDES POS. 2, 3, 5, 8-20 |
| 2 | 12006 | COMPOSITE TILT HANDLE | 1 | 1 | ALL EXCEPT COMBO TILT-HAND ACTIVATED WHEEL LOCKS |
| 3 | 18100-1 | NXT HAND TILT CABLE ASSY | 1 | 1 | ALL EXCEPT COMBO TILT-HAND ACTIVATED WHEEL LOCKS |
| 4 | 18526-R | COMBO TILT GREEN TRIGGER/CBL | 1 | 1 | NEEDED FOR COMBO TILT / HAND ACTIVATED WHEEL LOCKS - INCLUDES POS. 3 CABLE |
| 5a | 18091-L | TILT MECH LOCK ONLY - NXT L | 1 | 1 | |
| 5b | 18091-R | TILT MECH LOCK ONLY - NXT R | 1 | 1 | |
| 5 | 18091-2 | TILT MECH LOCK ONLY - NXT PR | 2 | 1 | |
| 6a | 18092-L | MECH LOCK MTG BRKT LWR NXT L | 1 | 1 | ALL FRAMES |
| 6b | 18092-R | MECH LOCK MTG BRKT LWR NXT R | 1 | 1 | ALL FRAMES |
| 6 | 18092-2 | MECH LOCK MTG BRKT LWR NXT | 2 | 1 | ALL FRAMES |
| 7a | 18150-L | MECH LOCK MTG BRKT UPR NXT L | 1 | 1 | TALL TILT FRAMES ONLY |
| 7b | 18150-R | MECH LOCK MTG BRKT UPR NXT R | 1 | 1 | TALL TILT FRAMES ONLY |
| 7 | 18150-2 | MECH LOCK MTG BRKT UPR NXT | 1 | 1 | TALL TILT FRAMES ONLY |
| 8a | 18151-1 | FT ACTIV TILT MECH CABLE 10" | 1 | 1 | SMALL FRAME ONLY JUNCTION TO MECH RIGHT SIDE |
| 8b | 18152-1 | FT ACTIV TILT MECH CABLE 15" | 1 | 1 | MED & LONG FRAME JUNCTION TO MECH RIGHT SIDE |
| 9a | 18153-1 | FT ACTIV TILT MECH CABLE 20" | 1 | 1 | 10-12 WIDE FRAME JUNCTION TO MECH LEFT SIDE |
| 9b | 18154-1 | FT ACTIV TILT MECH CABLE 25" | 1 | 1 | 13-16 WIDE FRAME JUNCTION TO MECH LEFT SIDE |
| 9c | 18155-1 | FT ACTIV TILT MECH CABLE 30" | 1 | 1 | 17-20 WIDE FRAME JUNCTION TO MECH LEFT SIDE |
| 10 | 18095-1 | TILT CABLE JUNCTION BLK NXT | 1 | 1 | FOR FOOT & SINGLE HAND ACTIVATIONS |
| 11 | 18098-1 | TILT CABLE ADJ END FITTING | 1 | 1 | |
| 12 | 9125-4 | NUT 10MM JAM NUT | 4 | 1 | |
| 13 | 8997-4 | RUBBER BUSHING - THIN | 4 | 2 | |
| 14 | 9034-4 | SCREW 1/4-20 X 1-1/4" BHCS | 4 | 1 | |
| 15 | 9035-4 | SCREW 1/4-20X 1-1/2" BUTTON | 4 | 1 | |
| 16 | 9036-4 | SCREW 1/4-20 X 1-3/4" BUTTON | 4 | 1 | |
| 17 | 9083-1 | SCREW 5/16-18 X 2-3/4" HEX HD | 1 | 1 | |
| 18 | 9072-4 | LOCKNUT 1/4-20 NYLON | 4 | 1 | |
| 19 | 9088-4 | LOCKNUT 5/16-18 NYLOC-THIN | 4 | 1 | |
| 20 | 9074-4 | WASHER 1/4" FLAT 1/2" OD | 4 | 1 | |

Tilt Mechanism—Dual Hand Activated Tilt (cont.)

| POS. | ITEM # | DESCRIPTION | QTY | ASSY | NOTES: |
|------|---------|-------------------------------|-----|------|-------------------------|
| ① | 18090-2 | DUAL HAND ACTIV TILT ASSY NXT | 1 | 1 | INCLUDES POS. 2-4, 7-13 |
| 2 | 12006 | COMPOSITE TILT HANDLE | 1 | 1 | |
| 3 | 18100-1 | NXT HAND TILT CABLE ASSY | 1 | 1 | |
| 4a | 18091-L | TILT MECH LOCK ONLY - NXT L | 1 | 1 | |
| 4b | 18091-R | TILT MECH LOCK ONLY - NXT R | 1 | 1 | |
| 4 | 18091-2 | TILT MECH LOCK ONLY - NXT PR | 2 | 1 | |
| 5a | 18092-L | MECH LOCK MTG BRKT LWR NXT L | 1 | 1 | ALL FRAMES |
| 5b | 18092-R | MECH LOCK MTG BRKT LWR NXT R | 1 | 1 | ALL FRAMES |
| 5 | 18092-2 | MECH LOCK MTG BRKT LWR NXT | 2 | 1 | ALL FRAMES |
| 6a | 18150-L | MECH LOCK MTG BRKT UPR NXT L | 1 | 1 | TALL TILT FRAMES ONLY |
| 6b | 18150-R | MECH LOCK MTG BRKT UPR NXT R | 1 | 1 | TALL TILT FRAMES ONLY |
| 6 | 18150-2 | MECH LOCK MTG BRKT UPR NXT | 1 | 1 | TALL TILT FRAMES ONLY |
| 7 | 8997-4 | RUBBER BUSHING - THIN | 4 | 2 | |
| 8 | 9035-4 | SCREW 1/4-20X 1-1/2" BUTTON | 4 | 1 | |
| 9 | 9036-4 | SCREW 1/4-20 X 1-3/4" BUTTON | 4 | 1 | |
| 10 | 9083-1 | SCREW 5/16-18 X 2-3/4" HEX HD | 1 | 1 | |
| 11 | 9072-4 | LOCKNUT 1/4-20 NYLON | 4 | 2 | |
| 12 | 9088-4 | LOCKNUT 5/16-18 NYLOC-THIN | 4 | 1 | |
| 13 | 9074-4 | WASHER 1/4" FLAT 1/2" OD | 4 | 4 | |

Transport Option—Brackets & Fasteners



2

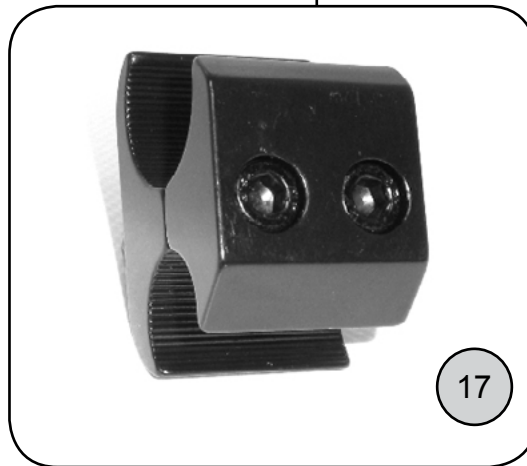
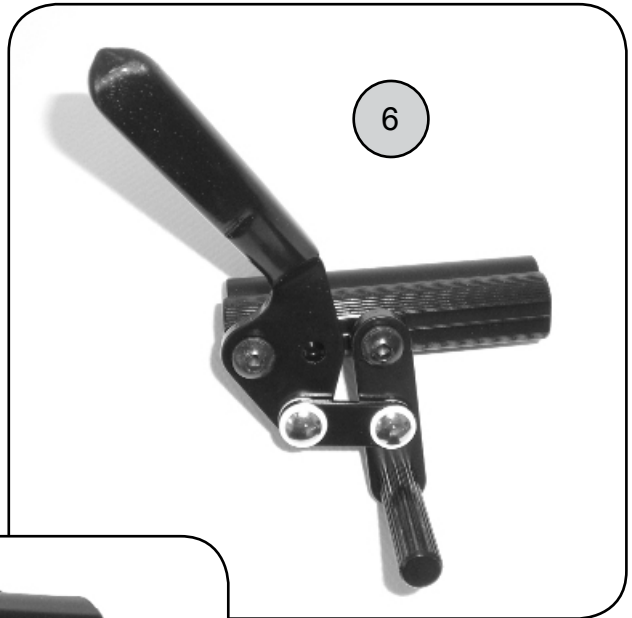
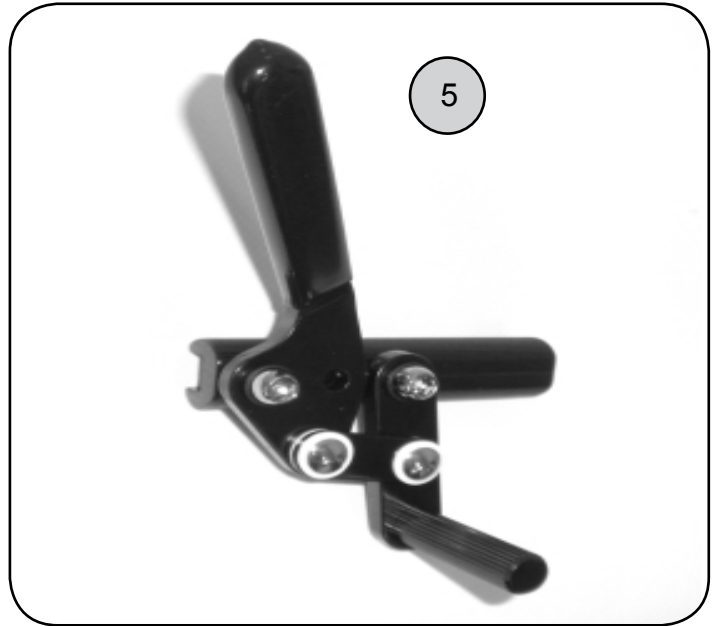


1

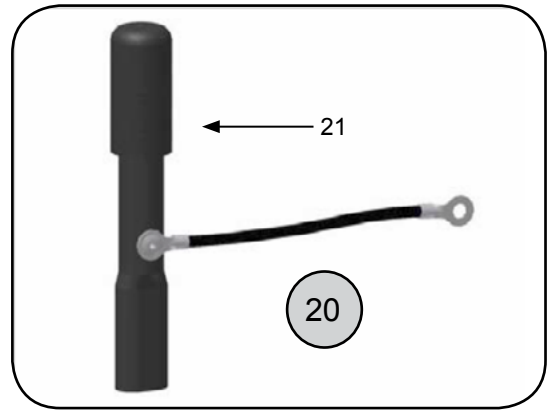
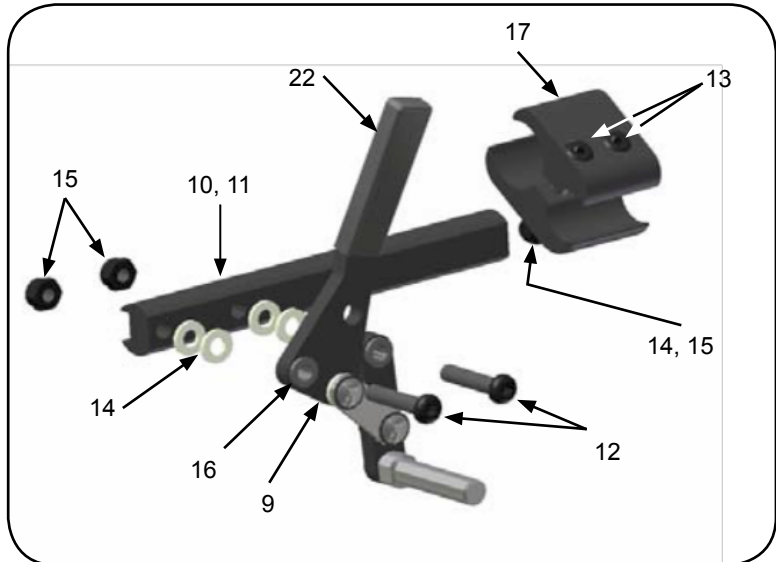
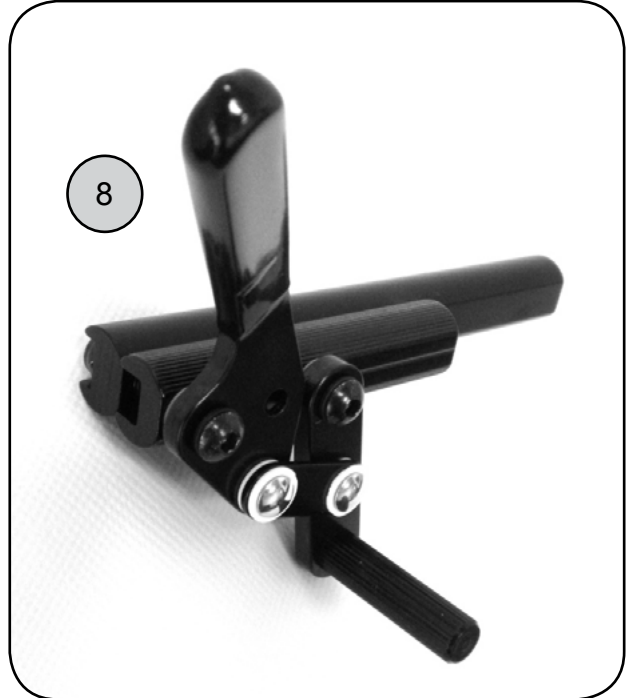
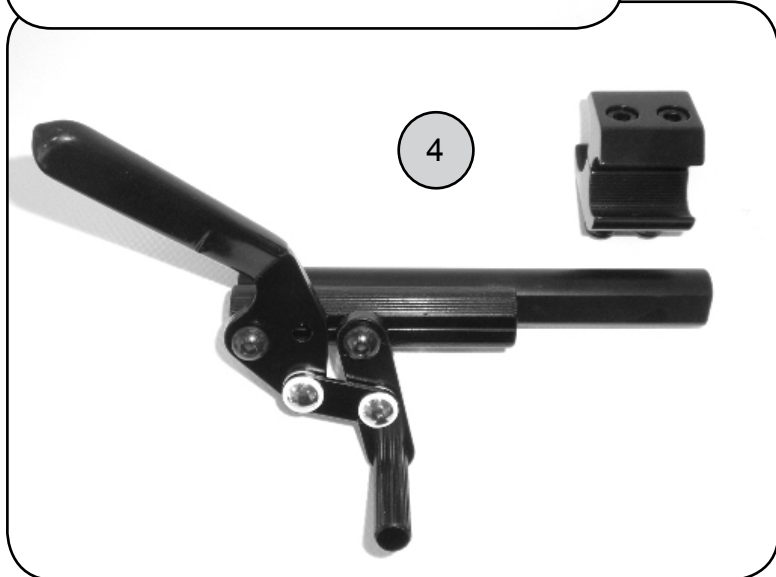
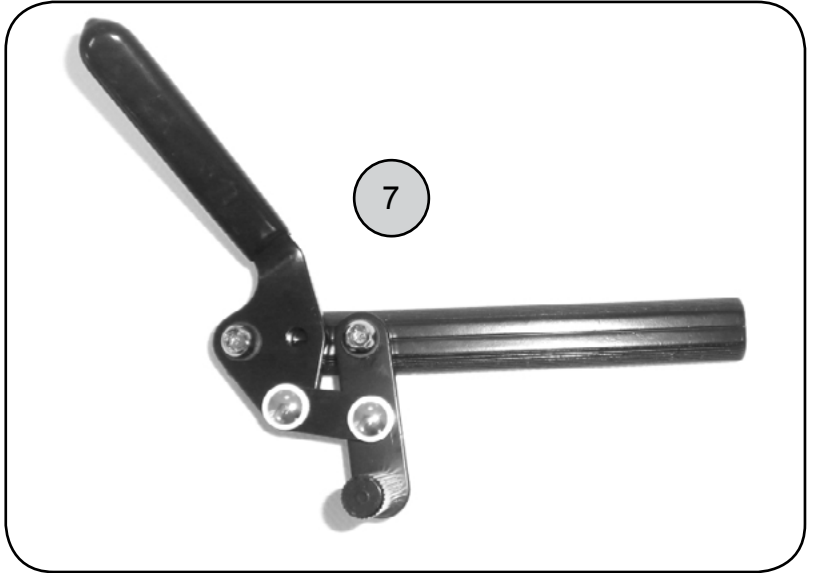
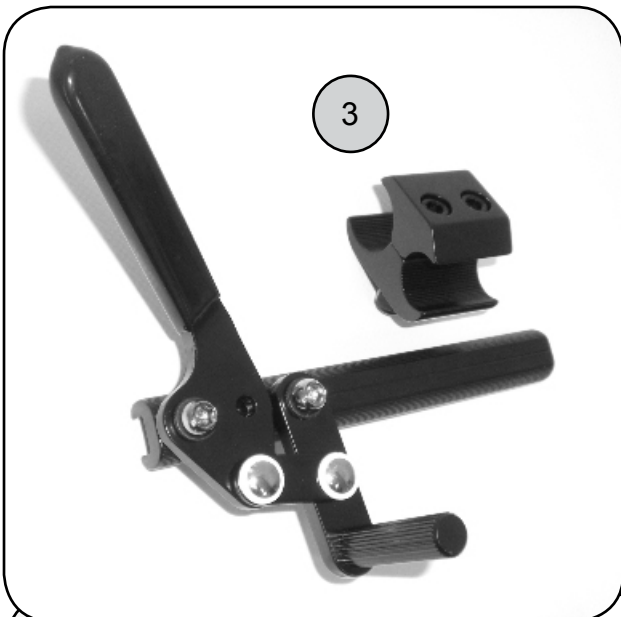
Transport Option—Brackets & Fasteners (cont.)

| POS. | ITEM # | DESCRIPTION | QTY | ASSY | NOTES: |
|------|--------|-------------------------------|-----|------|---|
| 1 | | TRANSPORT BRACKET FRONT | 1 | 2 | CONTACT CUSTOMER SERVICE FOR AVAILABILITY |
| 2 | | TRANSPORT BRACKET REAR | 1 | 2 | CONTACT CUSTOMER SERVICE FOR AVAILABILITY |
| 3 | 9036-4 | SCREW 1/4-20 X 1-3/4" BUTTON | 4 | 8 | |
| 4 | 9074-4 | WASHER 1/4" FLAT 1/2" OD | 4 | 20 | |
| 5 | 9072-4 | LOCKNUT 1/4-20 NYLOC | 4 | 10 | |
| 6 | 9005-2 | PLSTIC SDL 1" FOR 5/16" SCREW | 2 | 8 | |
| 7 | 9116-4 | SCREW 1/4-20 X 2-1/2" BHCS | 4 | 2 | |

Wheel Locks—Push to Lock & Accessories



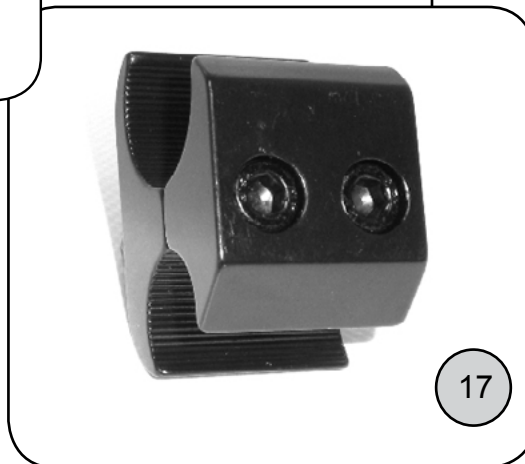
Wheel Locks—Push to Lock & Accessories (cont.)



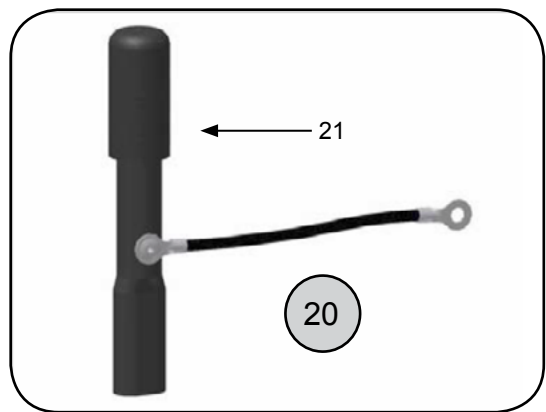
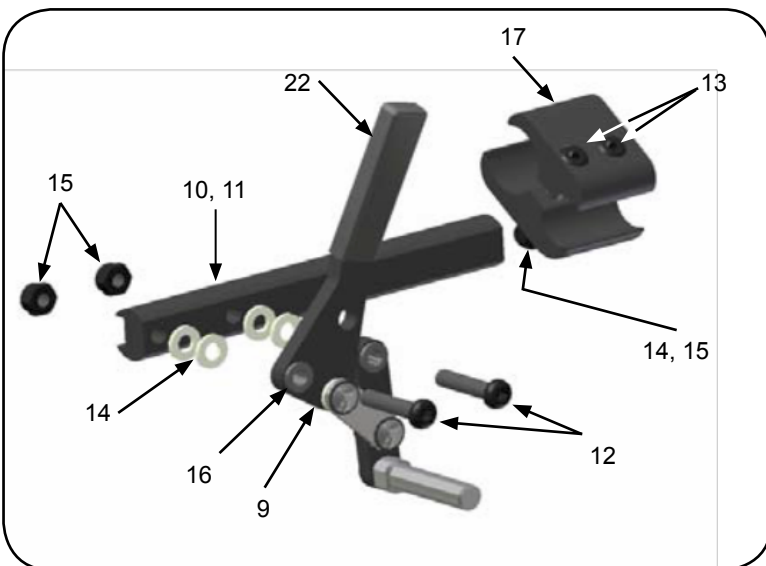
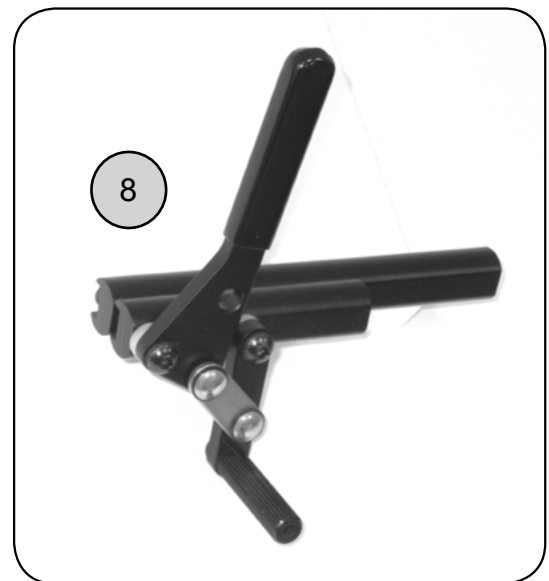
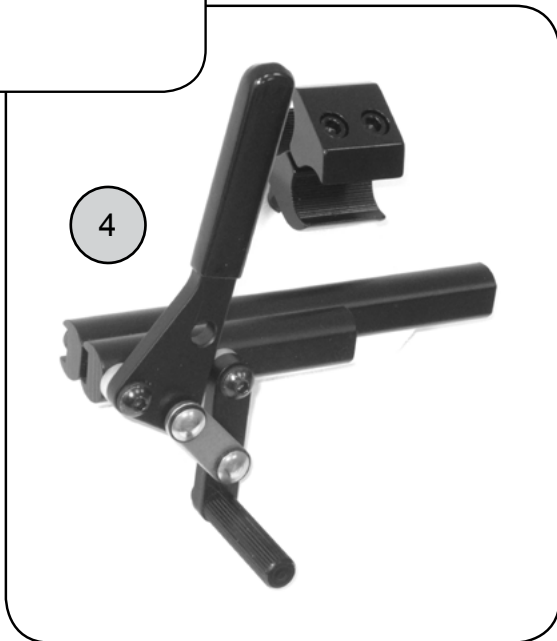
Wheel Locks—Push to Lock & Accessories (cont.)

| POS. | ITEM # | DESCRIPTION | QTY | ASSY | NOTES: |
|------|---------|--------------------------------|-----|------|--------|
| ① | 18600-R | PUSH W/L ASSY SHORT R | 1 | 1 | |
| ① | 18600-2 | PUSH W/L ASSY SHORT PR | 2 | 1 | |
| ② | 18601-L | PUSH W/L ASSY SHORT W/ SPCR L | 1 | 1 | |
| ② | 18601-R | PUSH W/L ASSY SHORT W/ SPCR R | 1 | 1 | |
| ② | 18601-2 | PUSH W/L ASSY SHORT W/ SPCR PR | 2 | 1 | |
| ③ | 18610-L | PUSH W/L ASSY LONG L | 1 | 1 | |
| ③ | 18610-R | PUSH W/L ASSY LONG R | 1 | 1 | |
| ③ | 18610-2 | PUSH W/L ASSY LONG PR | 2 | 1 | |
| ④ | 18611-L | PUSH W/L ASSY LONG W/ SPCR L | 1 | 1 | |
| ④ | 18611-R | PUSH W/L ASSY LONG W/ SPCR R | 1 | 1 | |
| ④ | 18611-2 | PUSH W/L ASSY LONG W/ SPCR PR | 2 | 1 | |
| ⑤ | 18640-L | PUSH W/L ONLY SHORT L | 1 | 1 | |
| ⑤ | 18640-R | PUSH W/L ONLY SHORT R | 1 | 1 | |
| ⑤ | 18640-2 | PUSH W/L ONLY SHORT PR | 2 | 1 | |
| ⑥ | 18641-L | PUSH W/L ONLY SHORT W/ SPCR L | 1 | 1 | |
| ⑥ | 18641-R | PUSH W/L ONLY SHORT W/ SPCR R | 1 | 1 | |
| ⑥ | 18641-2 | PUSH W/L ONLY SHORT W/ SPCR PR | 2 | 1 | |
| ⑦ | 18642-L | PUSH W/L ONLY LONG L | 1 | 1 | |
| ⑦ | 18642-R | PUSH W/L ONLY LONG R | 1 | 1 | |
| ⑦ | 18642-2 | PUSH W/L ONLY LONG PR | 2 | 1 | |
| ⑧ | 18643-L | PUSH W/L ONLY LONG W/ SPCR L | 1 | 1 | |
| ⑧ | 18643-R | PUSH W/L ONLY LONG W/ SPCR R | 1 | 1 | |
| ⑧ | 18643-2 | PUSH W/L ONLY LONG W/ SPCR PR | 2 | 1 | |
| 9a | 5026-L | PUSH TO LOCK LEVER ONLY L | 1 | 1 | |
| 9b | 5026-R | PUSH TO LOCK LEVER ONLY R | 1 | 1 | |
| 9 | 5026-2 | PUSH TO LOCK LEVER ONLY PR | 2 | 1 | |
| 10 | 5018 | WHEEL LOCK MTG BAR SHORT 4" | 1 | 1 | |
| 11 | 5019 | WHEEL LOCK MTG BAR LONG 6" | 1 | 1 | |
| 12 | 9033-4 | SCREW 1/4-20 X 1" BUTTON HEAD | 4 | 1 | |
| 13 | 9127-4 | SCREW 10-32 X 3/8" SOCKET | 4 | 2 | |
| 14 | 9010-4 | WASHER 1/4" NYLON 3/8" OD | 4 | 1 | |
| 15 | 9073-4 | LOCKNUT 1/4-20 NYLON-THIN | 4 | | |
| 16 | 5028-4 | WHEEL LOCK LEVER BUSHING | 4 | 1 | |
| ⑰ | 5015 | CLAMP ASSY 1" TO 3/4" | 1 | 1 | |
| 18 | 9063-4 | SCREW 1/4-20 X 1-1/2" SOCKET H | 4 | 1 | |
| 19 | 8987-4 | WASHER 1/4" ID X 3/8" OD | 4 | 1 | |
| ⑳ | 10067-1 | WHEEL LOCK EXT HNDL PUSH 6" | 1 | 1 | |
| ⑳ | 10067-2 | WHEEL LOCK EXT HNDL PUSH 6" | 2 | 1 | |
| 21 | 5016A | FOAM GRIP 3/8" X 4" | 1 | 1 | |
| 22 | 5016D-1 | PLASTIC CAP PUSH-LK W/L HNDL | 1 | 1 | |
| 22 | 5016D-2 | PLASTIC CAP PUSH-LK W/L HNDL | 2 | 1 | |

Wheel Locks—Pull to Lock & Accessories



Wheel Locks—Pull to Lock & Accessories (cont.)

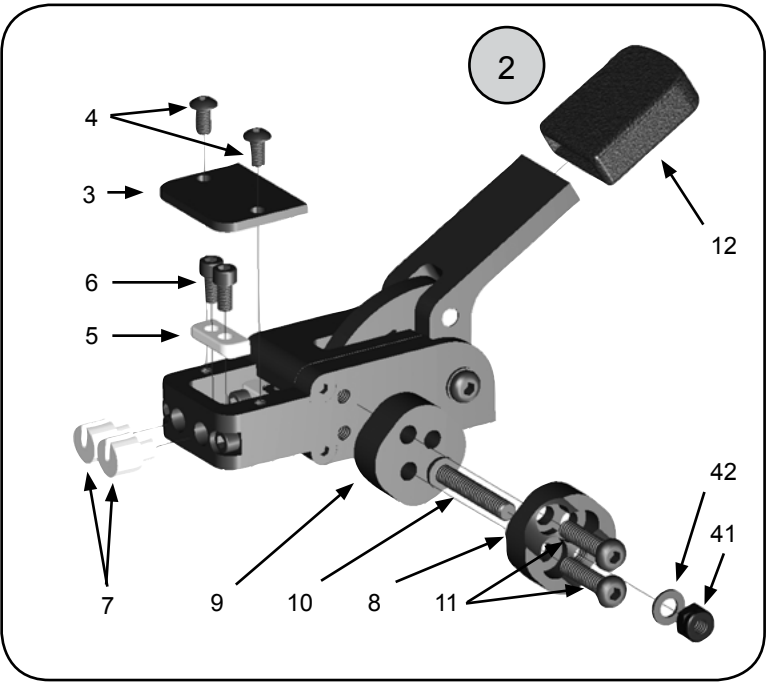
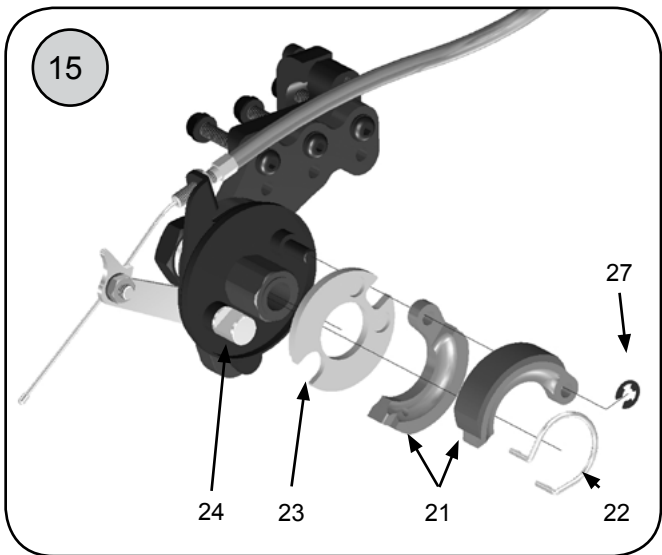
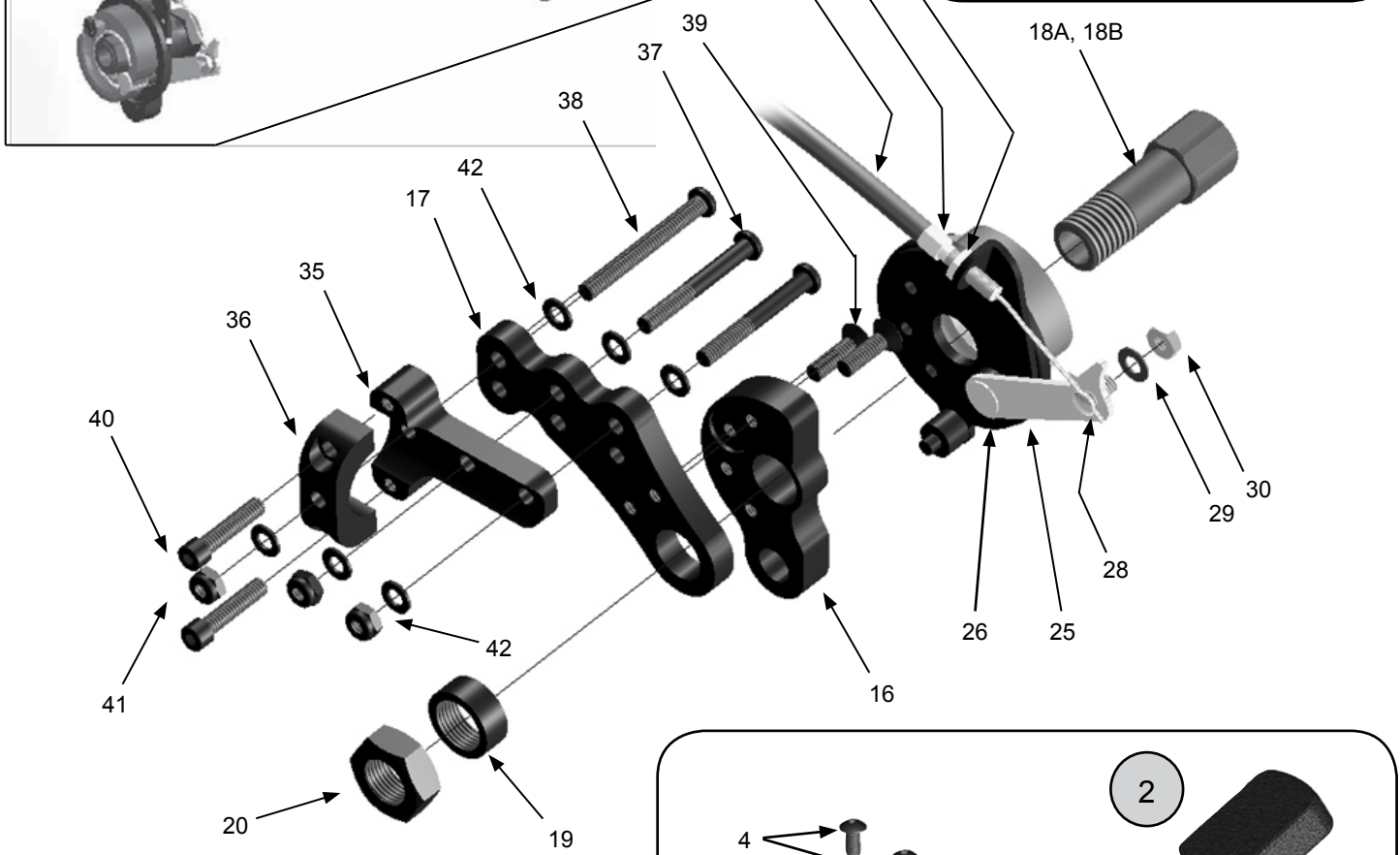
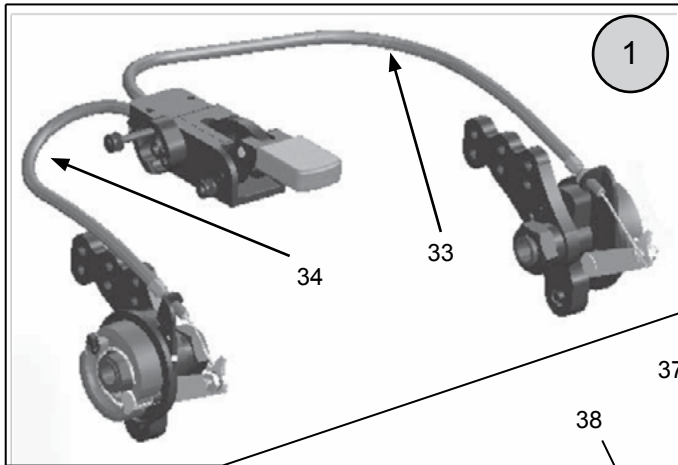


Wheel Locks—Pull to Lock & Accessories (cont.)

| POS. | ITEM # | DESCRIPTION | QTY | ASSY | NOTES: |
|------|---------|----------------------------------|-----|------|--------|
| ① | 18620-L | PULL W/L ASSY SHORT L | 1 | 1 | |
| ① | 18620-R | PULL W/L ASSY SHORT R | 1 | 1 | |
| ① | 18620-2 | PULL W/L ASSY SHORT PR | 2 | 1 | |
| ② | 18621-L | PULL W/L ASSY SHORT W/ SPCR L | 1 | 1 | |
| ② | 18621-R | PULL W/L ASSY SHORT W/ SPCR R | 1 | 1 | |
| ② | 18621-2 | PULL W/L ASSY SHORT W/ SPCR PR | 2 | 1 | |
| ③ | 18630-L | PULL W/L ASSY LONG L | 1 | 1 | |
| ③ | 18630-R | PULL W/L ASSY LONG R | 1 | 1 | |
| ③ | 18630-2 | PULL W/L ASSY LONG PR | 2 | 1 | |
| ④ | 18631-L | PULL W/L ASSY LONG W/ SPCR L | 1 | 1 | |
| ④ | 18631-R | PULL W/L ASSY LONG W/ SPCR R | 1 | 1 | |
| ④ | 18631-2 | PULL W/L ASSY LONG W/ SPCR PR | 2 | 1 | |
| ⑤ | 18650-L | PULL W/L ONLY SHORT L | 1 | 1 | |
| ⑤ | 18650-R | PULL W/L ONLY SHORT R | 1 | 1 | |
| ⑤ | 18650-2 | PULL W/L ONLY SHORT PR | 2 | 1 | |
| ⑥ | 18651-L | PULL W/L ONLY SHORT W/ SPCR L | 1 | 1 | |
| ⑥ | 18651-R | PULL W/L ONLY SHORT W/ SPCR R | 1 | 1 | |
| ⑥ | 18651-2 | PULL W/L ONLY SHORT W/ SPCR PR | 2 | 1 | |
| ⑦ | 18652-L | PULL W/L ONLY LONG L | 1 | 1 | |
| ⑦ | 18652-R | PULL W/L ONLY LONG R | 1 | 1 | |
| ⑦ | 18652-2 | PULL W/L ONLY LONG PR | 2 | 1 | |
| ⑧ | 18653-L | PULL W/L ONLY LONG W/ SPCR L | 1 | 1 | |
| ⑧ | 18653-R | PULL W/L ONLY LONG W/ SPCR R | 1 | 1 | |
| ⑧ | 18653-2 | PULL W/L ONLY LONG W/ SPCR PR | 2 | 1 | |
| 9a | 5025-2 | PULL TO LOCK LEVER ONLY PR | 2 | 1 | |
| 9b | 5025-L | PULL TO LOCK LEVER ONLY L | 1 | 1 | |
| 9 | 5025-R | PULL TO LOCK LEVER ONLY R | 1 | 1 | |
| 10 | 5018 | WHEEL LOCK MNTG ARM SHORT 4" | 1 | 1 | |
| 11 | 5019 | WHEEL LOCK MNTG ARM LONG 6" | 1 | 1 | |
| 12 | 9033-4 | SCREW 1/4-20 X 1" BUTTON HEAD | 4 | 1 | |
| 13 | 9127-4 | SCREW 10-32 X 3/8" SOCKET | 4 | 2 | |
| 14 | 9010-4 | WASHER 1/4" NYLON 3/8" OD | 4 | 1 | |
| 15 | 9073-4 | LOCKNUT 1/4-20 NYLON-THIN | 4 | | |
| 16 | 5028-4 | WHEEL LOCK LEVER BUSHING | 4 | 1 | |
| ⑰ | 5015 | CLAMP ASSY 1" TO 3/4" | 1 | 1 | |
| 18 | 9063-4 | SCREW 1/4-20 X 1-1/2" SOCKET H | 4 | 1 | |
| 19 | 8987-4 | WASHER 1/4" ID X 3/8" OD | 4 | 1 | |
| ⑳ | 10064-1 | WHEEL LOCK EXT HNDL PULL 6" | 1 | 1 | |
| ⑳ | 10064-2 | WHEEL LOCK EXT HNDL PULL 6" | 2 | 1 | |
| 21 | 5016B | FOAM GRIP 3/4" X 2" | 1 | 1 | |
| 22 | 5016C-1 | PLASTIC CAP PULL-LK W/L HNDLLOCK | 1 | 1 | |
| 22 | 5016C-2 | PLASTIC CAP PULL-LK W/L HNDLLOCK | 2 | 1 | |

Wheel locks—Foot Activated Drum

Note:
See wheel section for available foot activated wheel lock wheel options.



Wheel locks—Foot Activated Drum (cont.)

| POS. | ITEM # | DESCRIPTION | QTY | ASSY | NOTES: |
|------|---------|------------------------------------|-----|------|--|
| ① | 18500-2 | FOOT ACTIV DRUM W/L ASSY NXT | 1 | 1 | ALL WHEEL SIZES BEFORE 2/28/2013 / EFFECTIVE 3/1/2013 ALL BUT 16 & 18 WHEELS |
| ① | 18501-2 | FT ACTV DRM W/L ASSY NXT 16/18 | 1 | 1 | DRUM WHEEL LOCK 16 & 18" WHEELS ONLY (EFFECTIVE 3/1/2013) |
| ② | 18510-1 | FOOT LEVER ASSY - DRUM W/LOCK | 1 | 1 | |
| 3 | 18511-1 | CABLE ACCESS COVER | 1 | 2 | |
| 4 | 9126-4 | SCREW 10-32 X 3/8" BHCS | 4 | 2 | |
| 5 | 18512-1 | CABLE ANCHOR PLATE STNLS | 1 | 2 | |
| 6 | 9127-4 | SCREW 10-32 X 3/8" SOCKET | 4 | 2 | |
| 7 | 18513-1 | CABLE FERRULE - SLOTTED | 1 | 2 | |
| 8 | 18514-1 | FOOT LEVER MOUNTING BRACKET | 1 | 1 | |
| 9 | 18515-1 | FT MECH MTNG BRKT SPCR | 1 | 1 | |
| 10 | 9021-4 | SCREW 1/4-20 X 1-1/2" BHCS | 4 | 1 | |
| 11 | 9033-4 | SCREW 1/4-20 X 1" BHCS | 4 | 2 | |
| 12 | 5016B | FOAM GRIP 3/4" X 2" | | | |
| 13 | 18527-1 | AXLE Q/R 4-5/8 X 1/2" DRUM LOC | 1 | 1 | FOR ALL WHEELS EFFECTIVE 3/1/2013 |
| 13 | 18527-2 | AXLE Q/R 4-5/8 X 1/2" DRUM LOC | 2 | 1 | FOR ALL WHEELS EFFECTIVE 3/1/2013 |
| 14 | 18528-1 | AXLE Q/R 5" X 1/2" DRUM LOC | 1 | 1 | DRUM BRAKE FOR 16 & 18" WHEELS ONLY UNTIL 2/28/2013 |
| ⑭ | 18528-2 | AXLE Q/R 5" X 1/2" DRUM LOC | 2 | 1 | DRUM BRAKE FOR 16 & 18" WHEELS ONLY UNTIL 2/28/2013 |
| ⑮a | 18530-L | DRUM BRAKE & LOCK MECHANISM L | 1 | 1 | |
| ⑮b | 18530-R | DRUM BRAKE & LOCK MECHANISM R | 1 | 1 | |
| 15 | 18530-2 | DRUM BRAKE & LOCK MECHANISM PR | 1 | 1 | |
| 16 | 18531-L | DRUM BRAKE MECH MNTNG PLATE L | 1 | 1 | |
| 16 | 18531-R | DRUM BRAKE MECH MNTNG PLATE R | 1 | 1 | |
| 17 | 18532-1 | DRUM BRAKE AXLE PLATE | 1 | 1 | |
| 18a | 18533-1 | DRUM BRAKE AXLE SLEEVE 2-3/4" | 1 | 1 | |
| 18b | 18534-1 | DRUM BRAKE AXLE SLEEVE 2-1/4" | 1 | 1 | 16 & 18" WHEELS ONLY / EFFECTIVE 3/1/2013 |
| 19 | 18535-1 | AXLE SLEEVE SPACER 5/16 X 3/4" | 1 | 1 | |
| 20 | 9121-4 | NUT 3/4-16 JAM NUT ZINC | 4 | 1 | |
| 21 | 18536-2 | DRUM BRAKE - W/L SHOE SET | 1 | 1 | ONE SET DOES ONE WHEEL |
| 22 | 18537-1 | DRUM BRAKE SHOE RETURN SPRING | 1 | 1 | |
| 23 | 18538-1 | DRUM BRAKE SHOE BACKING SPACER | 1 | 1 | |
| 24 | 18539-1 | DRUM BRAKE SHOE CAM | 1 | 1 | |
| 25 | 18540-1 | DRUM BRAKE SHOE CAM ARM | 1 | 1 | |
| 26 | 9122-4 | SCREW 5MM X 8MM BHCS | 4 | 1 | |
| 27 | 18542-1 | BRAKE SHOE RETAINER CLIP | 1 | 1 | |
| 28 | 18543-1 | CABLE ANCHOR BOLT | 1 | 1 | |
| 29 | 9123-4 | WASHER 6MM ID CHROME FLAT | 4 | 2 | |
| 30 | 9124-4 | NUT 10MM CHROME LOCK NUT | 4 | 1 | |
| 31 | 18544-1 | CABLE END ADJ FITTING - DRUM BRAKE | 1 | 1 | 10MM WRENCH FOR ADJUSTMENT |

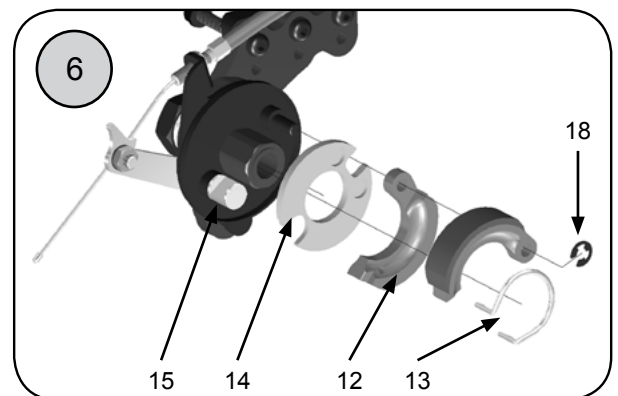
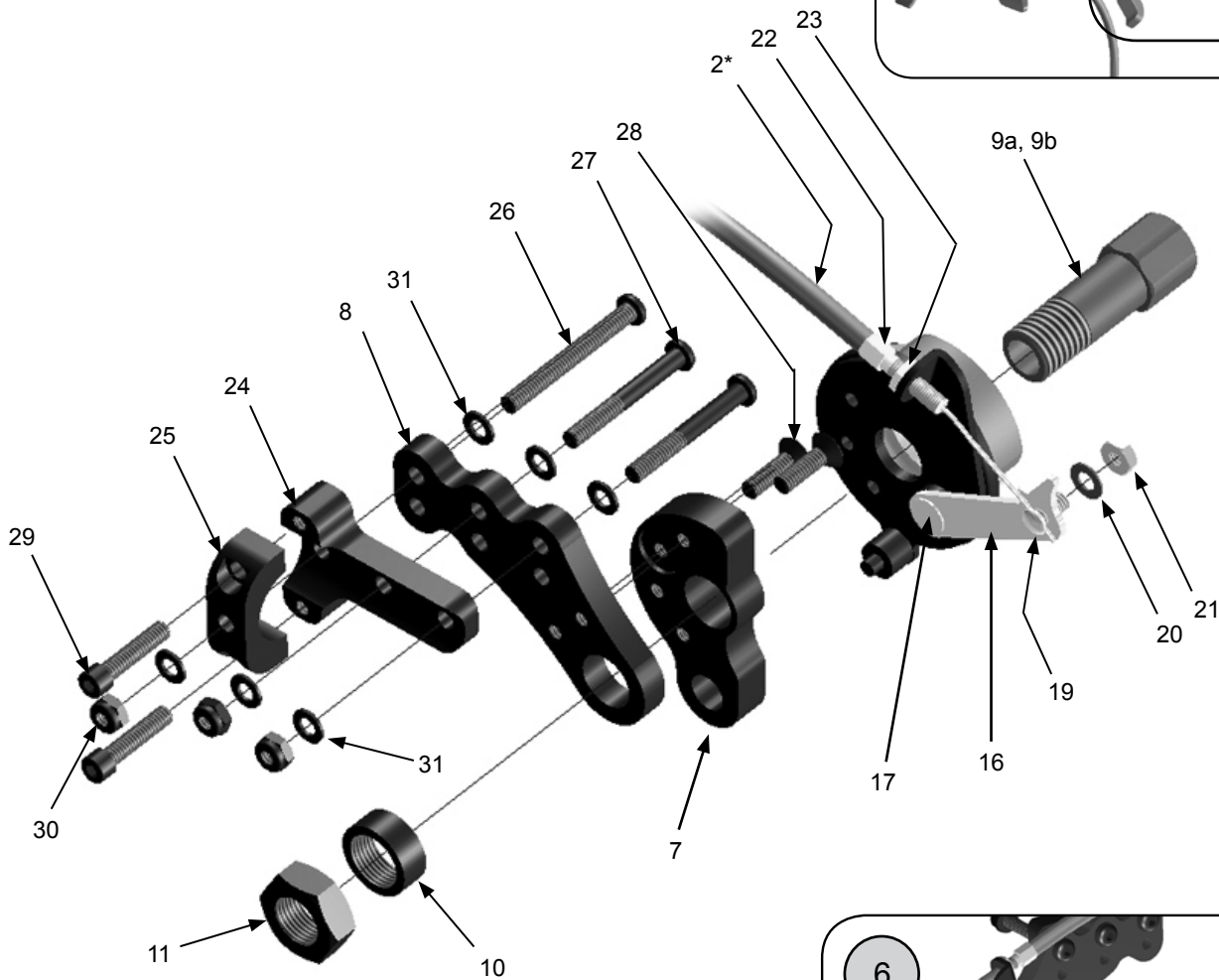
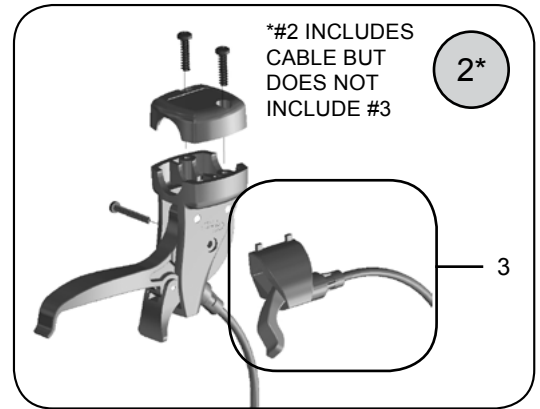
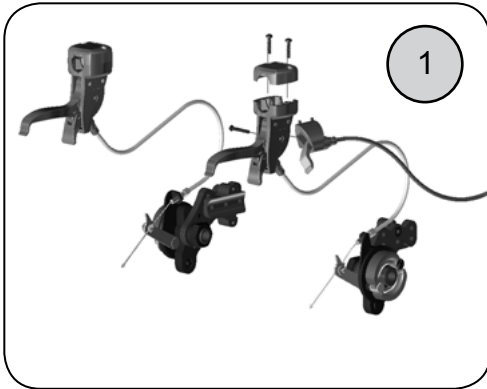
Continued Next Page

Wheel locks—Foot Activated Drum (cont.)

| POS. | ITEM # | DESCRIPTION | QTY | ASSY | NOTES: |
|------|---------|--------------------------------|-----|------|----------------------------|
| 32 | 9125-4 | NUT 10MM JAM NUT ZINC | 4 | 1 | |
| 33 | 18550-1 | FOOT ACTIV BRAKE CABLE 15" L | 1 | 1 | LEFT CABLE ONLY ALL WIDTHS |
| 34 | 18551-1 | FT ACTIV BRK CBL 20" 10-12W R | 1 | 1 | RIGHT CABLE 10-12W FRAMES |
| 34 | 18552-1 | FT ACTIV BRK CBL 25" 13-16W R | 1 | 1 | RIGHT CABLE 13-16W FRAMES |
| 34 | 18553-1 | FT ACTIV BRK CBL 30" 17-20W R | 1 | 1 | RIGHT CABLE 17-20W FRAMES |
| 35 | 18002-1 | NXT AXLE PLATE MTG BRKT | 1 | 1 | |
| 36 | 18003-1 | NXT AXLE PLATE MTG BRKT CLMP | 1 | 1 | |
| 37 | 9037-4 | SCREW 1/4-20 X 2" BUTTON HD | 4 | 2 | |
| 38 | 9128-4 | SCREW 1/4-20 X 2-1/4" BHCS | 4 | 1 | |
| 39 | 9122-4 | SCREW 1/4-20 X 7/8" FLAT HEAD | 4 | 2 | |
| 40 | 9062-4 | SCREW 1/4-20 X 1 1/4" SKT HEAD | 4 | 2 | |
| 41 | 9073-4 | LOCKNUT 1/4-20 NYLON-THIN | 4 | 3 | |
| 42 | 9074-4 | WASHER 1/4" FLAT 1/2" OD | 4 | 6 | |

Wheel locks—Hand Activated Drum Brake

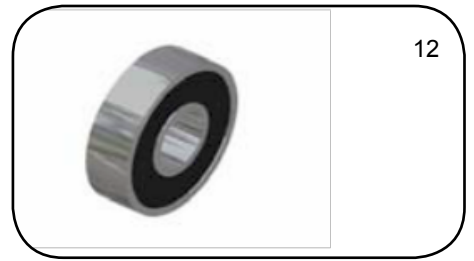
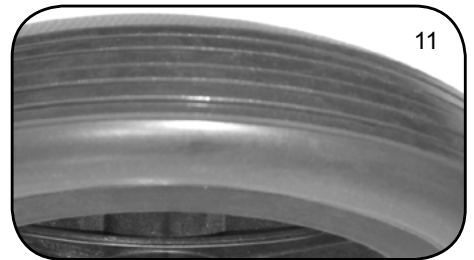
Note:
See wheel section for available hand activated drum
wheel lock wheel options.



Wheel locks—Hand Activated Drum Brake (cont.)

| POS. | ITEM # | DESCRIPTION | QTY | ASSY | NOTES: |
|------|---------|------------------------------------|-----|------|--|
| ① | 18505-2 | HAND ACTIV DRUM BRAKE-W/L NXT | 1 | 1 | ALL WHEEL SIZES BEFORE 2/28/2013 / EFFECTIVE 3/1/2013 ALL BUT 16 & 18 WHEELS |
| ① | 18506-2 | HND ACTV DRM BRK W/L NXT 16/18 | 1 | 1 | DRUM WHEEL LOCK 16 & 18" WHEELS ONLY (EFFECTIVE 3/1/2013) |
| ②* | 18525-1 | HAND ACTIV BRAKE-W/L HNDL ASSY | 1 | 2 | HANDLE & CABLE MUST BE REPLACED AS A UNIT |
| ②* | 18525-2 | HAND ACTIV BRAKE-W/L HNDL ASSY | 2 | 1 | HANDLE & CABLE MUST BE REPLACED AS A UNIT |
| 3 | 18526-1 | COMBO TILT GREEN TRIGGER/CBL | 1 | 1 | NEEDED FOR COMBO TILT / HAND ACTIVATED WHEEL LOCKS. NOT INCLUDED WITH #2 |
| 4 | 18527-1 | AXLE Q/R 4-5/8 X 1/2" DRUM LOC | 1 | 1 | FOR ALL WHEELS EFFECTIVE 3/1/2013 |
| 4 | 18527-2 | AXLE Q/R 4-5/8 X 1/2" DRUM LOC | 2 | 1 | FOR ALL WHEELS EFFECTIVE 3/1/2013 |
| 5 | 18528-1 | AXLE Q/R 5" X 1/2" DRUM LOC | 1 | 1 | DRUM BRAKE FOR 16 & 18" WHEELS ONLY UNTIL 2/28/2013 |
| 5 | 18528-2 | AXLE Q/R 5" X 1/2" DRUM LOC | 2 | 1 | DRUM BRAKE FOR 16 & 18" WHEELS ONLY UNTIL 2/28/2013 |
| 6a | 18530-L | DRUM BRAKE & LOCK MECHANISM L | 1 | 1 | |
| 6b | 18530-R | DRUM BRAKE & LOCK MECHANISM R | 1 | 1 | |
| 6 | 18530-2 | DRUM BRAKE & LOCK MECHANISM PR | 1 | 1 | |
| 7 | 18531-L | DRUM BRAKE MECH MNTNG PLATE L | 1 | 1 | |
| 7 | 18531-R | DRUM BRAKE MECH MNTNG PLATE R | 1 | 1 | |
| 8 | 18532-1 | DRUM BRAKE AXLE PLATE | 1 | 1 | |
| 9a | 18533-1 | DRUM BRAKE AXLE SLEEVE 2-3/4" | 1 | 1 | |
| 9b | 18534-1 | DRUM BRAKE AXLE SLEEVE 2-1/4" | 1 | 1 | 16 & 18" WHEELS ONLY / EFFECTIVE 3/1/2013 |
| 10 | 18535-1 | AXLE SLEEVE SPACER 5/16 X 3/4" | 1 | 1 | |
| 11 | 9121-4 | NUT 3/4-16 JAM NUT ZINC | 4 | 1 | |
| 12 | 18536-2 | DRUM BRAKE - W/L SHOE SET | 1 | 1 | ONE SET DOES ONE WHEEL |
| 13 | 18537-1 | DRUM BRAKE SHOE RETURN SPRING | 1 | 1 | |
| 14 | 18538-1 | DRUM BRAKE SHOE BACKING SPACER | 1 | 1 | |
| 15 | 18539-1 | DRUM BRAKE SHOE CAM | 1 | 1 | |
| 16 | 18540-1 | DRUM BRAKE SHOE CAM ARM | 1 | 1 | |
| 17 | 9122-4 | SCREW 5MM X 8MM BHCS | 4 | 1 | |
| 18 | 18542-1 | BRAKE SHOE RETAINER CLIP | 1 | 1 | |
| 19 | 18543-1 | CABLE ANCHOR BOLT | 1 | 1 | |
| 20 | 9123-4 | WASHER 6MM ID CHROME FLAT | 4 | 2 | |
| 21 | 9124-4 | NUT 10MM CHROME LOCK NUT | 4 | 1 | |
| 22 | 18544-1 | CABLE END ADJ FITTING - DRUM BRAKE | 1 | 1 | 10MM WRENCH FOR ADJUSTMENT |
| 23 | 9125-4 | NUT 10MM JAM NUT ZINC | 4 | 1 | |
| 24 | 18002-1 | NXT AXLE PLATE MTG BRKT | 1 | 1 | |
| 25 | 18003-1 | NXT AXLE PLATE MTG BRKT CLMP | 1 | 1 | |
| 26 | 9037-4 | SCREW 1/4-20 X 2" BUTTON HD | 4 | 2 | |
| 27 | 9128-4 | SCREW 1/4-20 X 2-1/4" BHCS | 4 | 1 | |
| 28 | 9129 | SCREW 1/4-20 X 7/8" FLAT HEAD | | | |
| 29 | 9062-4 | SCREW 1/4-20X1 1/4" SCKET HEAD | 4 | 2 | |
| 30 | 9073-4 | LOCKNUT 1/4-20 NYLON-THIN | 4 | 3 | |
| 31 | 9074-4 | WASHER 1/4" FLAT 1/2" OD | 4 | 6 | |

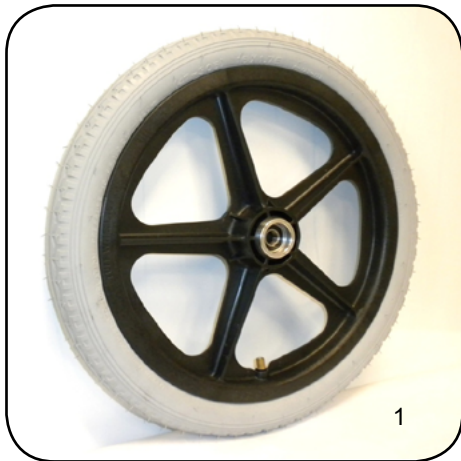
Wheels—12" Mag Wheel Assemblies & Components



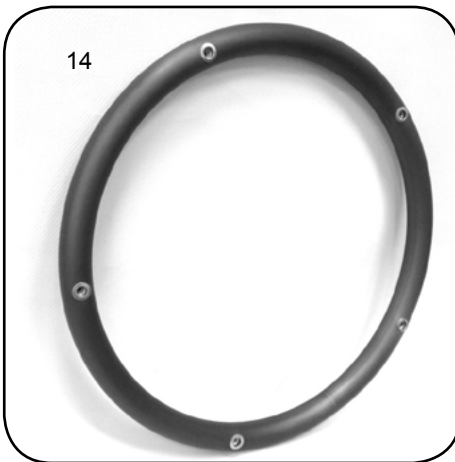
Wheels—12" Mag Wheel Assemblies & Components (cont.)

| POS. | ITEM # | DESCRIPTION | QTY | ASSY | NOTES: |
|------|---------|--------------------------------|-----|------|-------------------|
| 1 | 11222-1 | 12" MAG WHEEL ASSY PNEUMATIC | 1 | 1 | POS. 6, 8-9, 12 |
| 1 | 11222-2 | 12" MAG WHEEL ASSY PNEUMATIC | 1 | 1 | POS. 6, 8-9, 12 |
| 2 | 11322-1 | 12" MAG WHEEL ASSY PNEU D/L | 1 | 1 | POS. 7-9, 12 |
| 2 | 11322-2 | 12" MAG WHEEL ASSY PNEU D/L | 1 | 1 | POS. 7-9, 12 |
| 3 | 11223-1 | 12" MAG WHL ASSY LOW PRO POLY | 1 | 1 | POS. 6, 11, 12 |
| 3 | 11223-2 | 12" MAG WHL ASSY LOW PRO POLY | 1 | 1 | POS. 6, 11, 12 |
| 4 | 11200-1 | 12" MAG WHEEL ASSY AIRLESS | 1 | 1 | POS. 6, 8, 10, 12 |
| 4 | 11200-2 | 12" MAG WHEEL ASSY AIRLESS | 1 | 1 | POS. 6, 8, 10, 12 |
| 5 | 11300-1 | 12" MAG WHEEL ASSY AIRLESS D/L | 1 | 1 | POS. 7, 8, 10, 12 |
| 5 | 11300-2 | 12" MAG WHEEL ASSY AIRLESS D/L | 1 | 1 | POS. 7, 8, 10, 12 |
| 6 | 4020 | 12" MAG WHEEL W/ BEARINGS STD | 1 | 1 | INCLUDES POS. 12 |
| 7 | 4120 | 12" MAG WHEEL W/ BEARINGS D/L | 1 | 1 | INCLUDES POS. 12 |
| 8 | 4029 | PNEUMATIC TIRE 12" X 2.125" | 1 | 1 | |
| 9 | 4036 | INNER TUBE 12" X 2.125" | 1 | 1 | |
| 10 | 4042 | AIRLESS INSERT 12" X 2.125" | 1 | 1 | |
| 11 | 4028 | LOW PROFILE POLY TIRE 12" | 1 | 1 | |
| 12 | 2009 | BEARING 1-1/8" X 1/2" | 1 | 2 | NOT SHOWN |

Wheels—16" Mag Wheel Assemblies & Components



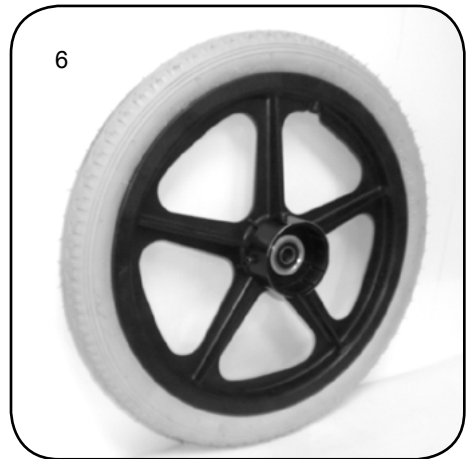
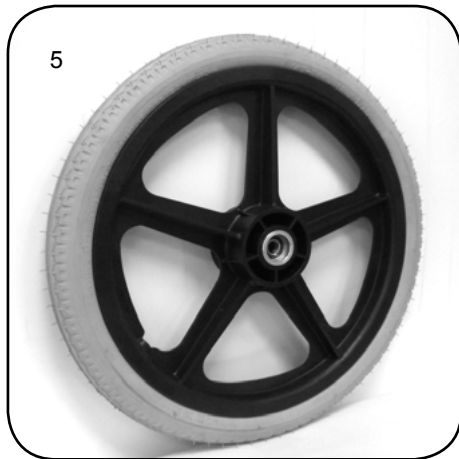
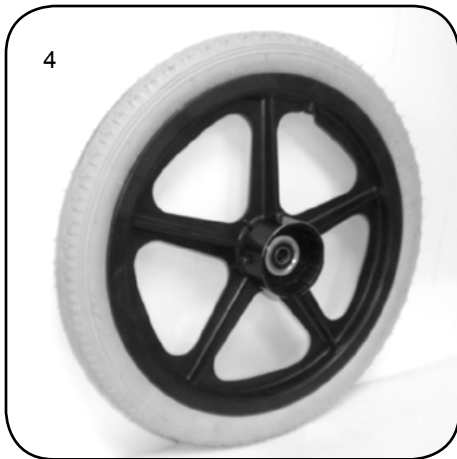
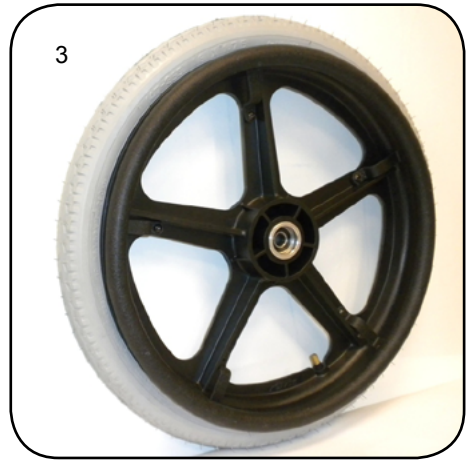
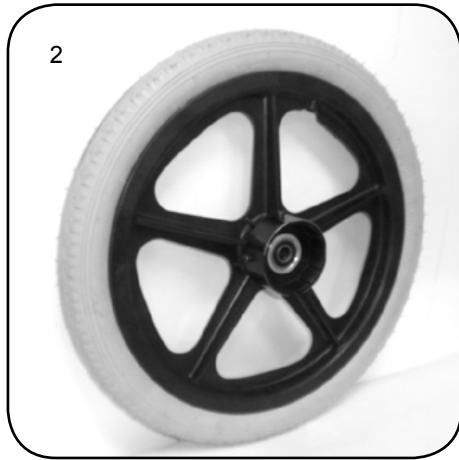
Wheels—16" Mag Wheel Assemblies & Components (cont.)



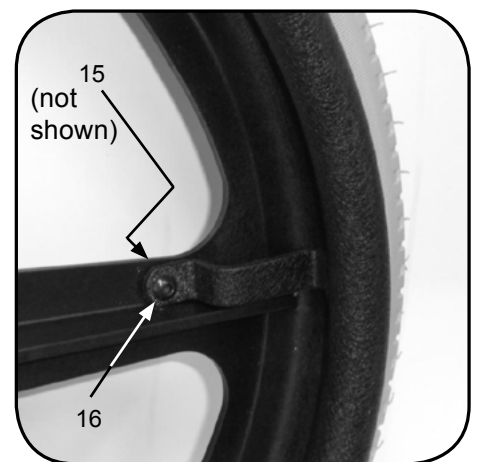
Wheels—16" Mag Wheel Assemblies & Components (cont.)

| POS. | ITEM # | DESCRIPTION | QTY | ASSY | NOTES: |
|------|---------|--------------------------------|-----|------|-----------------------|
| 1 | 11224-1 | 16" MAG WHEEL ASSY PNEUMATIC | 1 | 1 | POS. 9, 11, 12, 17 |
| 1 | 11224-2 | 16" MAG WHEEL ASSY PNEUMATIC | 1 | 1 | POS. 9, 11, 12, 17 |
| 2 | 11324-1 | 16" MAG WHEEL ASSY PNEU D/L | 1 | 1 | POS. 10-12, 17 |
| 2 | 11324-2 | 16" MAG WHEEL ASSY PNEU D/L | 1 | 1 | POS. 10-12, 17 |
| 3 | 11233-1 | 16" MAG WHEEL ASSY PNEU HR | 1 | 1 | POS. 9, 11, 12, 14-17 |
| 3 | 11233-2 | 16" MAG WHEEL ASSY PNEU HR | 1 | 1 | POS. 9, 11, 12, 14-17 |
| 4 | 11333-1 | 16" MAG WHEEL ASSY PNEU HR D/L | 1 | 1 | POS. 10-12, 14-17 |
| 4 | 11333-2 | 16" MAG WHEEL ASSY PNEU HR D/L | 1 | 1 | POS. 10-12, 14-17 |
| 5 | 11201-1 | 16" MAG WHEEL ASSY AIRLESS | 1 | 1 | POS. 9, 11, 13, 17 |
| 5 | 11201-2 | 16" MAG WHEEL ASSY AIRLESS | 1 | 1 | POS. 9, 11, 13, 17 |
| 6 | 11301-1 | 16" MAG WHEEL ASSY AIRLESS D/L | 1 | 1 | POS. 10-11, 13, 17 |
| 6 | 11301-2 | 16" MAG WHEEL ASSY AIRLESS D/L | 1 | 1 | POS. 10-11, 13, 17 |
| 7 | 11234-1 | 16" MAG WHEEL ASSY AIRLESS HR | 1 | 1 | POS. 9, 11, 13, 14-17 |
| 7 | 11234-2 | 16" MAG WHEEL ASSY AIRLESS HR | 1 | 1 | POS. 9, 11, 13, 14-17 |
| 8 | 11334-1 | 16" MAG WHL ASSY AIRLESS HR DL | 1 | 1 | POS. 10-11, 13-17 |
| 8 | 11334-2 | 16" MAG WHL ASSY AIRLESS HR DL | 1 | 1 | POS. 10-11, 13-17 |
| 9 | 4021 | 16" MAG WHEEL W/ BEARINGS STD | 1 | 1 | INCLUDES POS 17 |
| 10 | 4121 | 16" MAG WHEEL W/ BEARINGS D/L | 1 | 1 | INCLUDES POS 17 |
| 11 | 4031 | PNEUMATIC TIRE 16" X 1.175" | 1 | 1 | |
| 12 | 4037 | INNER TUBE 16" X 1.175" | 1 | 1 | |
| 13 | 4043 | AIRLESS INSERT 16" X 1.175" | 1 | 1 | |
| 14 | 4056 | HANDRIM - ALUMINUM 16" MAG | 1 | 1 | |
| 15 | 4058-8 | HANDRIM SPACER | 8 | 6 | |
| 16 | 4086-8 | SCREW 10-32 X 2-1/4 PHIL PH HD | 8 | 6 | |
| 17 | 2009 | BEARING 1-1/8" X 1/2" | 1 | 2 | |

Wheels—18" Mag Wheel Assemblies & Components



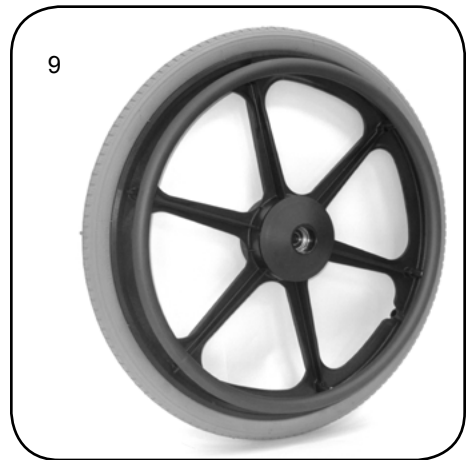
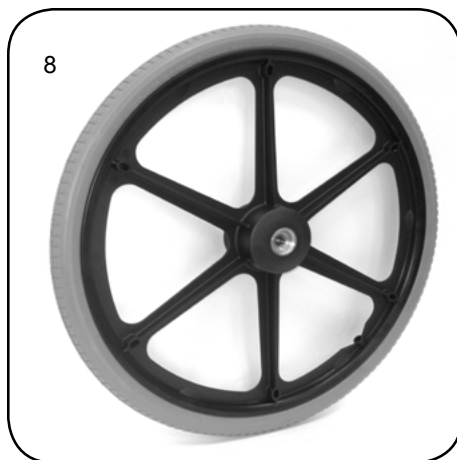
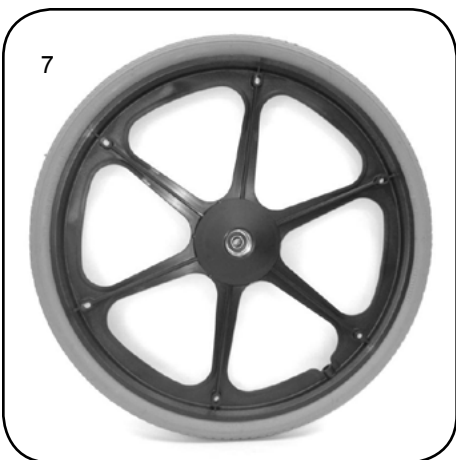
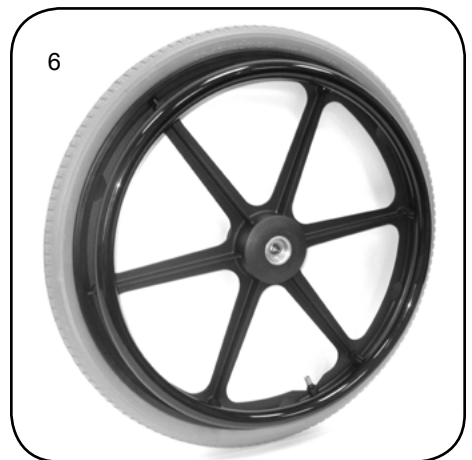
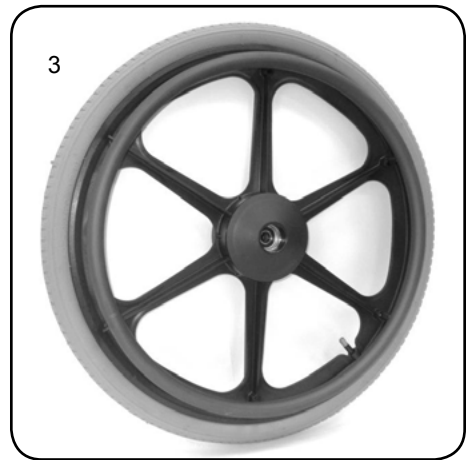
Wheels—18" Mag Wheel Assemblies & Components (cont.)



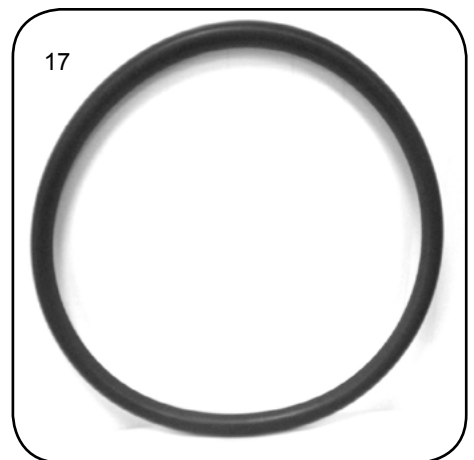
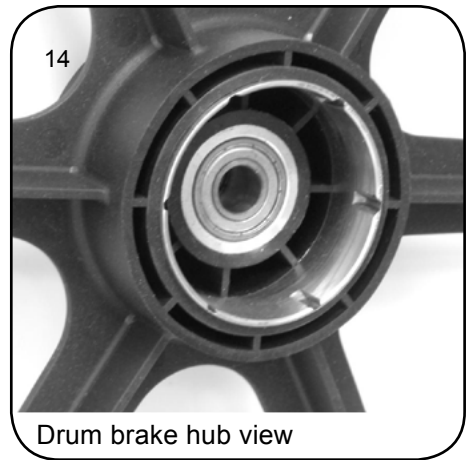
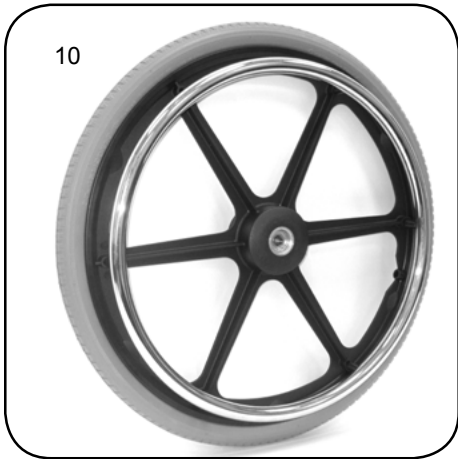
Wheels—18" Mag Wheel Assemblies & Components (cont.)

| POS. | ITEM # | DESCRIPTION | QTY | ASSY | NOTES: |
|------|---------|--------------------------------|-----|------|----------------------|
| 1 | 11225-1 | 18" MAG WHEEL ASSY PNEUMATIC | 1 | 1 | POS. 9, 11-12, 17 |
| 1 | 11225-2 | 18" MAG WHEEL ASSY PNEUMATIC | 1 | 1 | POS. 9, 11-12, 17 |
| 2 | 11325-1 | 18" MAG WHEEL ASSY PNEU D/L | 1 | 1 | POS. 10-12, 17 |
| 2 | 11325-2 | 18" MAG WHEEL ASSY PNEU D/L | 1 | 1 | POS. 10-12, 17 |
| 3 | 11229-1 | 18" MAG WHEEL ASSY PNEU HR | 1 | 1 | POS. 9, 11-12, 14-17 |
| 3 | 11229-2 | 18" MAG WHEEL ASSY PNEU HR | 1 | 1 | POS. 9, 11-12, 14-17 |
| 4 | 11329-1 | 18" MAG WHEEL ASSY PNEU HR D/L | 1 | 1 | POS. 10-12, 14-17 |
| 4 | 11329-2 | 18" MAG WHEEL ASSY PNEU HR D/L | 1 | 1 | POS. 10-12, 14-17 |
| 5 | 11202-1 | 18" MAG WHEEL ASSY AIRLESS | 1 | 1 | POS. 9, 11-12, 17 |
| 5 | 11202-2 | 18" MAG WHEEL ASSY AIRLESS | 1 | 1 | POS. 9, 11-12, 17 |
| 6 | 11302-1 | 18" MAG WHEEL ASSY AIRLESS D/L | 1 | 1 | POS. 10-12, 17 |
| 6 | 11302-2 | 18" MAG WHEEL ASSY AIRLESS D/L | 1 | 1 | POS. 10-12, 17 |
| 7 | 11206-1 | 18" MAG WHEEL ASSY AIRLESS HR | 1 | 1 | POS. 9, 11-12, 17 |
| 7 | 11206-2 | 18" MAG WHEEL ASSY AIRLESS HR | 1 | 1 | POS. 9, 11-12, 17 |
| 8 | 11306-1 | 18" MAG WHL ASSY AIRLESS HR DL | 1 | 1 | POS. 10-12, 17 |
| 8 | 11306-2 | 18" MAG WHL ASSY AIRLESS HR DL | 1 | 1 | POS. 10-12, 17 |
| 9 | 4022 | 18" MAG WHEEL W/ BEARINGS STD | 1 | 1 | INCLUDES POS. 17 |
| 10 | 4122 | 18" MAG WHEEL W/ BEARINGS D/L | 1 | 1 | INCLUDES POS. 17 |
| 11 | 4032 | PNEUMATIC TIRE 18" X 1.175" | 1 | 1 | |
| 12 | 4038 | INNER TUBE 18" X 1.175" | 1 | 1 | |
| 13 | 4044 | AIRLESS INSERT 18" X 1.175" | 1 | 1 | |
| 14 | 4057 | HANDRIM - ALUMINUM 18" MAG | 1 | 1 | |
| 15 | 9033-4 | SCREW 1/4-20 X 1" BHCS | 4 | 6 | |
| 16 | 9072-4 | NUT 1/4-20 NYLOC NUT | 4 | 6 | NOT SHOWN |
| 17 | 2009 | BEARING 1-1/8" X 1/2" | 1 | 2 | |

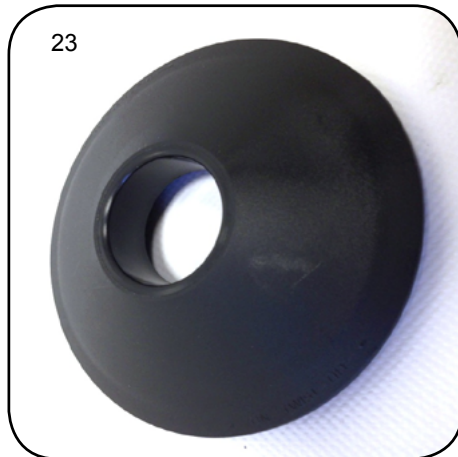
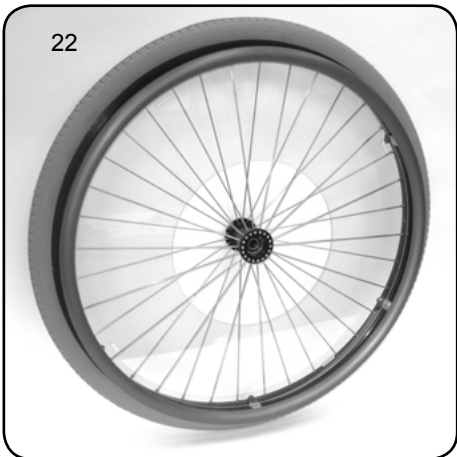
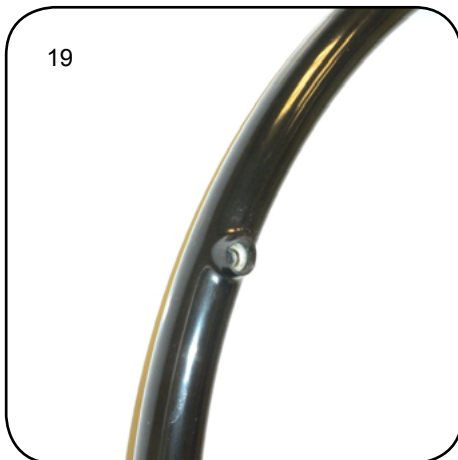
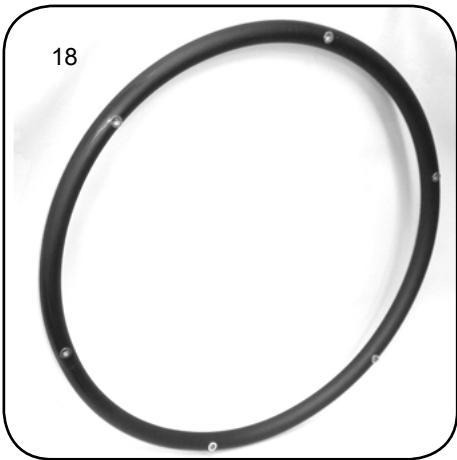
Wheels—20" Mag Wheel Assemblies & Components



Wheels—20" Mag Wheel Assemblies & Components (cont.)



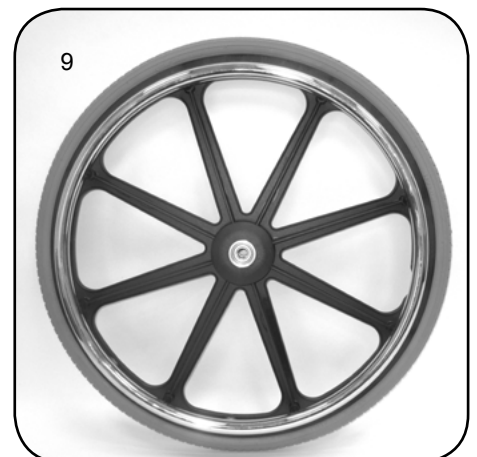
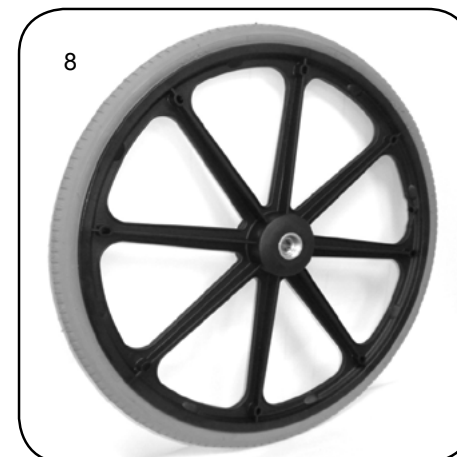
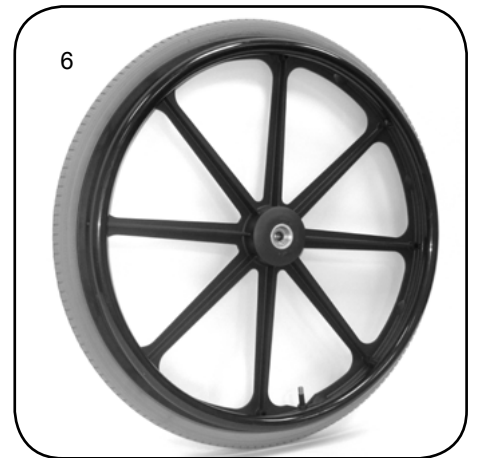
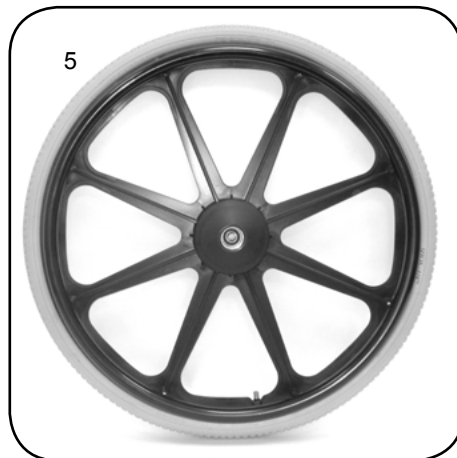
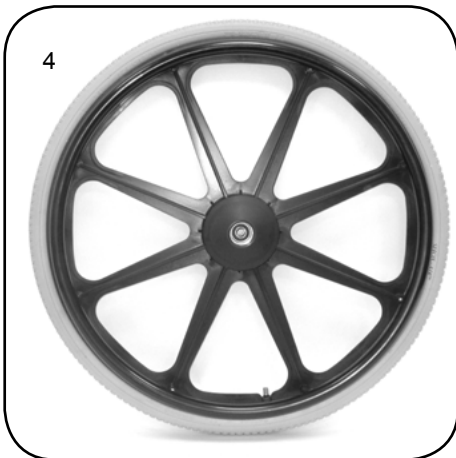
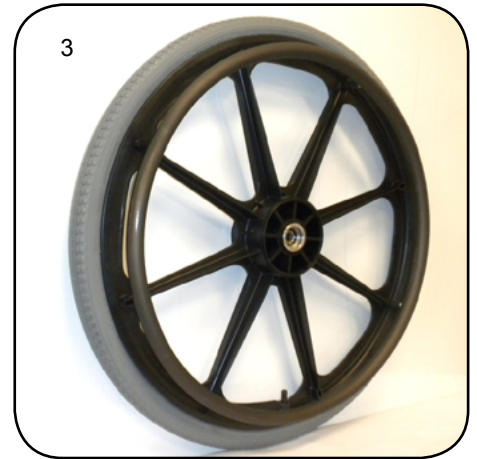
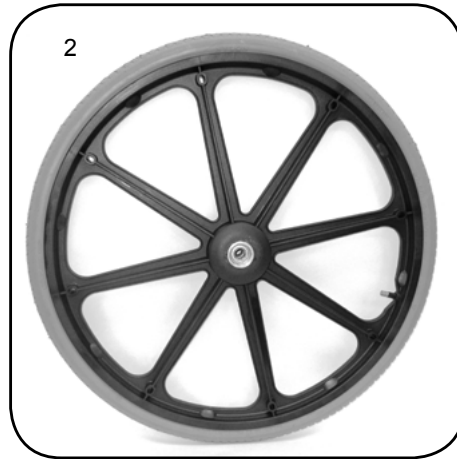
Wheels—20" Mag Wheel Assemblies & Components (cont.)



Wheels—20" Mag Wheel Assemblies & Components (cont.)

| POS. | ITEM # | DESCRIPTION | QTY | ASSY | NOTES: |
|------|---------|--------------------------------|-----|------|-------------------------------|
| 1 | 11226-1 | 20" MAG WHEEL ASSY PNEUMATIC | 1 | 1 | POS. 13, 15-16, 23 |
| 1 | 11226-2 | 20" MAG WHEEL ASSY PNEUMATIC | 1 | 1 | POS. 13, 15-16, 23 |
| 2 | 11326-1 | 20" MAG WHEEL ASSY PNEU D/L | 1 | 1 | POS. 14-16, 23 |
| 2 | 11326-2 | 20" MAG WHEEL ASSY PNEU D/L | 1 | 1 | POS. 14-16, 23 |
| 3 | 11230-1 | 20" MAG WHEEL ASSY PNEU HR | 1 | 1 | POS. 13, 15-16, 18, 20-21, 23 |
| 3 | 11230-2 | 20" MAG WHEEL ASSY PNEU HR | 1 | 1 | POS. 13, 15-16, 18, 20-21, 23 |
| 4 | 11330-1 | 20" MAG WHEEL ASSY PNEU HR DL | 1 | 1 | POS. 14-16, 18, 20-21, 23 |
| 4 | 11330-2 | 20" MAG WHEEL ASSY PNEU HR DL | 1 | 1 | POS. 14-16, 18, 20-21, 23 |
| 5 | 11238-1 | 20" MAG WHL ASSY PNEU PLST HR | 1 | 1 | POS. 13, 15-16, 19-21, 23 |
| 5 | 11238-2 | 20" MAG WHL ASSY PNEU PLST HR | 1 | 1 | POS. 13, 15-16, 19-21, 23 |
| 6 | 11338-1 | 20" MAG WHL ASSY PNEU PL HR DL | 1 | 1 | POS. 14-16, 19-21, 23 |
| 6 | 11338-2 | 20" MAG WHL ASSY PNEU PL HR DL | 1 | 1 | POS. 14-16, 19-21, 23 |
| 7 | 11203-1 | 20" MAG WHEEL ASSY AIRLESS | 1 | 1 | POS. 13, 15, 17, 23 |
| 7 | 11203-2 | 20" MAG WHEEL ASSY AIRLESS | 1 | 1 | POS. 13, 15, 17, 23 |
| 8 | 11303-1 | 20" MAG WHEEL ASSY AIRLESS D/L | 1 | 1 | POS. 14-15, 17, 23 |
| 8 | 11303-2 | 20" MAG WHEEL ASSY AIRLESS D/L | 1 | 1 | POS. 14-15, 17, 23 |
| 9 | 11207-1 | 20" MAG WHEEL ASSY AIRLESS HR | 1 | 1 | POS. 13, 15, 17-18, 20-21, 23 |
| 9 | 11207-2 | 20" MAG WHEEL ASSY AIRLESS HR | 1 | 1 | POS. 13, 15, 17-18, 20-21, 23 |
| 10 | 11307-1 | 20" MAG WHL ASSY AIRLESS HR DL | 1 | 1 | POS. 14-15, 17-18, 20-21, 23 |
| 10 | 11307-2 | 20" MAG WHL ASSY AIRLESS HR DL | 1 | 1 | POS. 14-15, 17-18, 20-21, 23 |
| 11 | 11235-1 | 20" MAG WHL ASSY AIRLESS PL HR | 1 | 1 | POS. 13, 15, 17, 19-21, 23 |
| 11 | 11235-2 | 20" MAG WHL ASSY AIRLESS PL HR | 1 | 1 | POS. 13, 15, 17, 19-21, 23 |
| 12 | 11335-1 | 20" MAG WHL ASSY AIRLS P HR DL | 1 | 1 | POS. 14-15, 17, 19-21, 23 |
| 12 | 11335-2 | 20" MAG WHL ASSY AIRLS P HR DL | 1 | 1 | POS. 14-15, 17, 19-21, 23 |
| 13 | 4023 | 20" MAG WHEEL W/ BEARINGS STD | 1 | 1 | INCLUDES POS. 23 |
| 14 | 4123 | 20" MAG WHEEL W/ BEARINGS D/L | 1 | 1 | INCLUDES POS. 23 |
| 15 | 4033 | PNEUMATIC TIRE 20" X 1-3/8" | 1 | 1 | |
| 16 | 4039 | INNER TUBE 20" X 1-3/8" | 1 | 1 | |
| 17 | 4045 | AIRLESS INSERT 20" X 1-3/8" | 1 | 1 | |
| 18 | 4048 | HANDRIM - ALUMINUM 20" MAG | 1 | 1 | |
| 19 | 4053 | HANDRIM - PLST COATED 20" MAG | 1 | 1 | |
| 20 | 4058-8 | HANDRIM SPACERS | 8 | 8 | |
| 21 | 4086-8 | SCREW 10-32 X 2-1/4 PHIL PH HD | 8 | 8 | |
| 22 | 4090 | SPOKE GUARD 20" WHEEL | 1 | 1 | |
| 23 | 4000 | HUB CAP - MAG WHEEL | 1 | 1 | |
| 24 | 2009 | BEARING 1-1/8" X 1/2" | 1 | 2 | |

Wheels—22" Mag Wheel Assemblies & Components



Wheels—22" Mag Wheel Assemblies & Components (cont.)

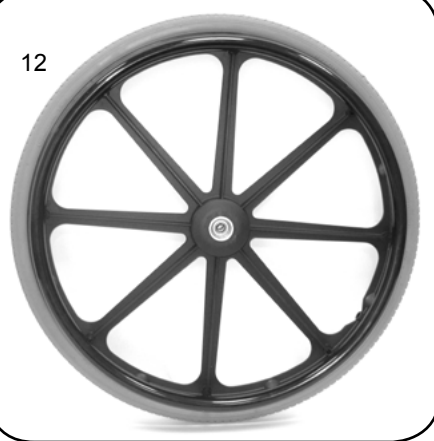
10



11



12



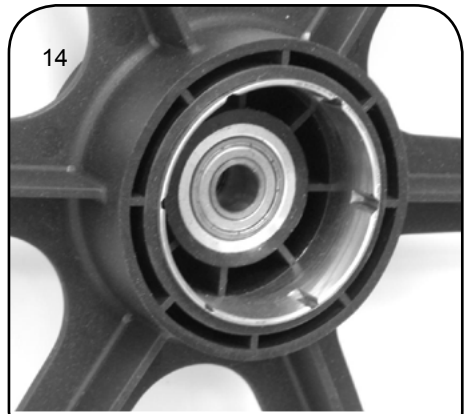
13



14



14



Drum brake hub view

15



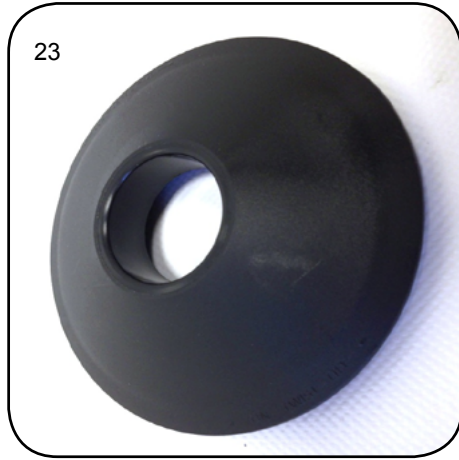
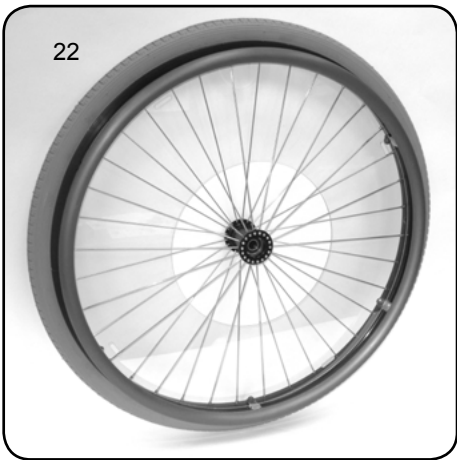
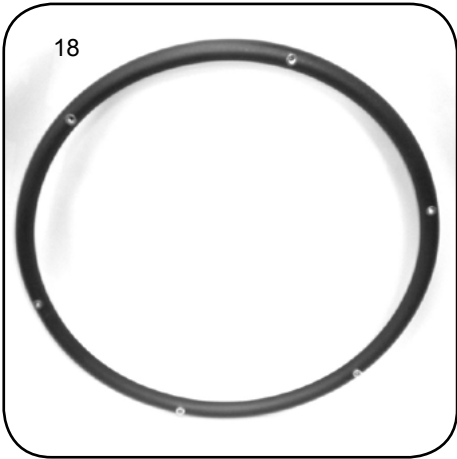
16



17



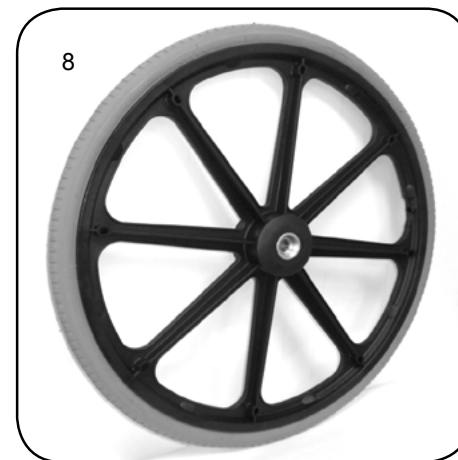
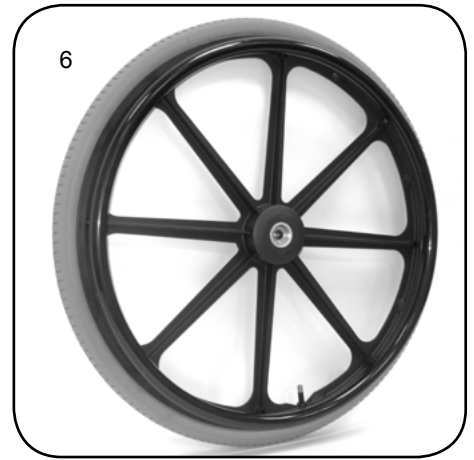
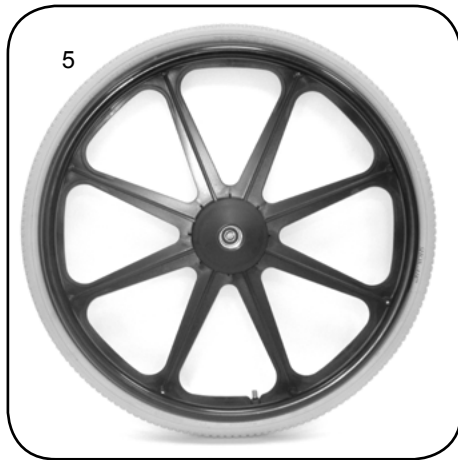
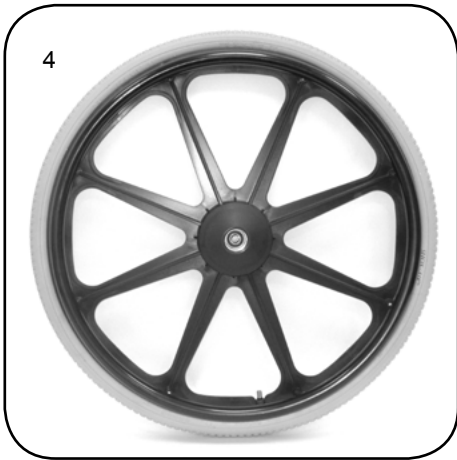
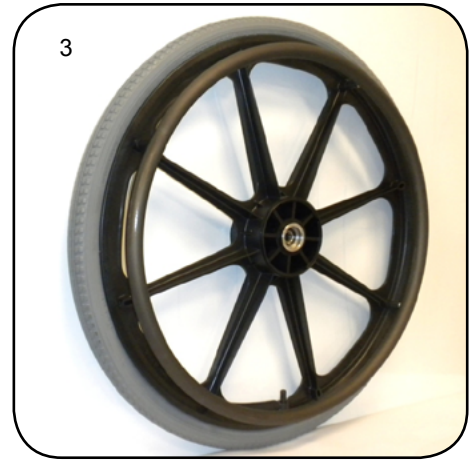
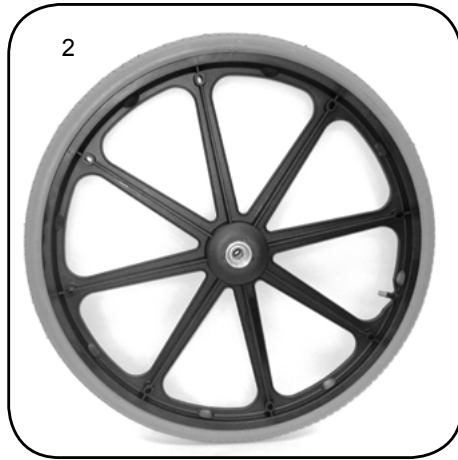
Wheels—22" Mag Wheel Assemblies & Components (cont.)



Wheels—22" Mag Wheel Assemblies & Components (cont.)

| POS. | ITEM # | DESCRIPTION | QTY | ASSY | NOTES: |
|------|---------|--------------------------------|-----|------|-------------------------------|
| 1 | 11227-1 | 22" MAG WHEEL ASSY PNEUMATIC | 1 | 1 | POS. 13, 15-16, 23 |
| 1 | 11227-2 | 22" MAG WHEEL ASSY PNEUMATIC | 1 | 1 | POS. 13, 15-16, 23 |
| 2 | 11327-1 | 22" MAG WHEEL ASSY PNEU D/L | 1 | 1 | POS. 14-16, 23 |
| 2 | 11327-2 | 22" MAG WHEEL ASSY PNEU D/L | 1 | 1 | POS. 14-16, 23 |
| 3 | 11231-1 | 22" MAG WHEEL ASSY PNEU HR | 1 | 1 | POS. 13, 15-16, 18, 20-21, 23 |
| 3 | 11231-2 | 22" MAG WHEEL ASSY PNEU HR | 1 | 1 | POS. 13, 15-16, 18, 20-21, 23 |
| 4 | 11331-1 | 22" MAG WHEEL ASSY PNEU HR DL | 1 | 1 | POS. 14-16, 18, 20-21, 23 |
| 4 | 11331-2 | 22" MAG WHEEL ASSY PNEU HR DL | 1 | 1 | POS. 14-16, 18, 20-21, 23 |
| 5 | 11239-1 | 22" MAG WHL ASSY PNEU PLST HR | 1 | 1 | POS. 13, 15-16, 19-21, 23 |
| 5 | 11239-2 | 22" MAG WHL ASSY PNEU PLST HR | 1 | 1 | POS. 13, 15-16, 19-21, 23 |
| 6 | 11339-1 | 22" MAG WHL ASSY PNEU PL HR DL | 1 | 1 | POS. 14-16, 19-21, 23 |
| 6 | 11339-2 | 22" MAG WHL ASSY PNEU PL HR DL | 1 | 1 | POS. 14-16, 19-21, 23 |
| 7 | 11204-1 | 22" MAG WHEEL ASSY AIRLESS | 1 | 1 | POS. 13, 15, 17, 23 |
| 7 | 11204-2 | 22" MAG WHEEL ASSY AIRLESS | 1 | 1 | POS. 13, 15, 17, 23 |
| 8 | 11304-1 | 22" MAG WHEEL ASSY AIRLESS D/L | 1 | 1 | POS. 14-15, 17, 23 |
| 8 | 11304-2 | 22" MAG WHEEL ASSY AIRLESS D/L | 1 | 1 | POS. 14-15, 17, 23 |
| 9 | 11208-1 | 22" MAG WHEEL ASSY AIRLESS HR | 1 | 1 | POS. 13, 15, 17-18, 20-21, 23 |
| 9 | 11208-2 | 22" MAG WHEEL ASSY AIRLESS HR | 1 | 1 | POS. 13, 15, 17-18, 20-21, 23 |
| 10 | 11308-1 | 22" MAG WHL ASSY AIRLESS HR DL | 1 | 1 | POS. 14-15, 17-18, 20-21, 23 |
| 10 | 11308-2 | 22" MAG WHL ASSY AIRLESS HR DL | 1 | 1 | POS. 14-15, 17-18, 20-21, 23 |
| 11 | 11236-1 | 22" MAG WHL ASSY AIRLESS PL HR | 1 | 1 | POS. 13, 15, 17, 19-21, 23 |
| 11 | 11236-2 | 22" MAG WHL ASSY AIRLESS PL HR | 1 | 1 | POS. 13, 15, 17, 19-21, 23 |
| 12 | 11336-1 | 22" MAG WHL ASSY AIRLS P HR DL | 1 | 1 | POS. 14-15, 17, 19-21, 23 |
| 12 | 11336-2 | 22" MAG WHL ASSY AIRLS P HR DL | 1 | 1 | POS. 14-15, 17, 19-21, 23 |
| 13 | 4024 | 22" MAG WHEEL W/ BEARINGS STD | 1 | 1 | INCLUDES POS. 23 |
| 14 | 4124 | 22" MAG WHEEL W/ BEARINGS D/L | 1 | 1 | INCLUDES POS. 23 |
| 15 | 4034 | PNEUMATIC TIRE 22" X 1-3/8" | 1 | 1 | |
| 16 | 4040 | INNER TUBE 22" X 1-3/8" | 1 | 1 | |
| 17 | 4046 | AIRLESS INSERT 22" X 1-3/8" | 1 | 1 | |
| 18 | 4049 | HANDRIM - ALUMINUM 22" MAG | 1 | 1 | |
| 19 | 4054 | HANDRIM - PLST COATED 22" MAG | 1 | 1 | |
| 20 | 4058-8 | HANDRIM SPACERS | 8 | 8 | |
| 21 | 4086-8 | SCREW 10-32 X 2-1/4 PHIL PH HD | 8 | 8 | |
| 22 | 4091 | SPOKE GUARD 22" WHEEL | 1 | 1 | |
| 23 | 4000 | HUB CAP - MAG WHEEL | 1 | 1 | |
| 24 | 2009 | BEARING 1-1/8" X 1/2" | 1 | 2 | |

Wheels—24" Mag Wheel Assemblies & Components



Wheels—24" Mag Wheel Assemblies & Components (cont.)

10



11



12



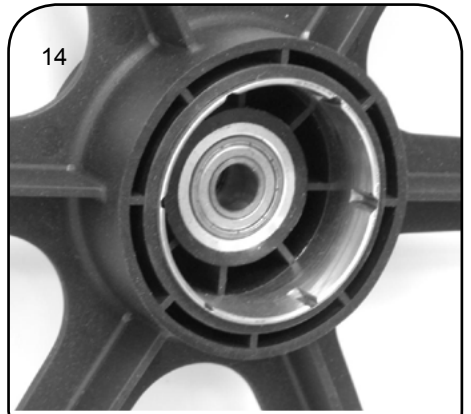
13



14



14



Drum brake hub view

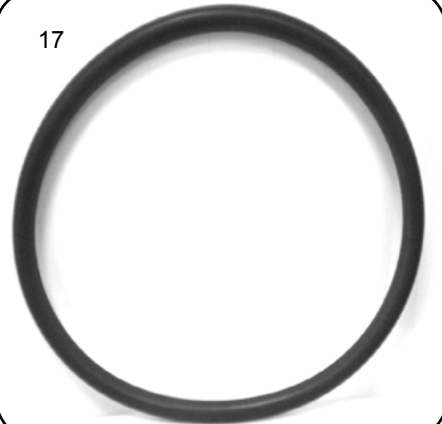
15



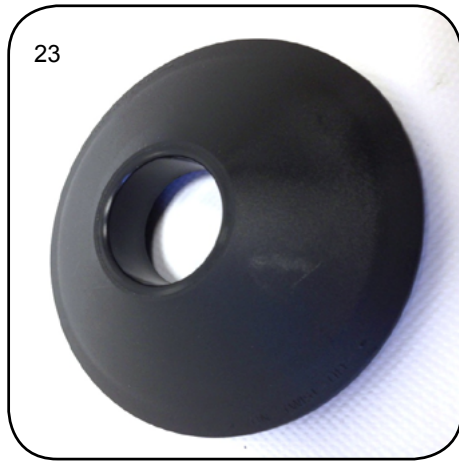
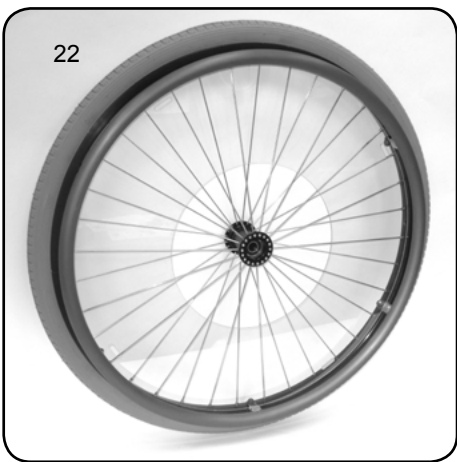
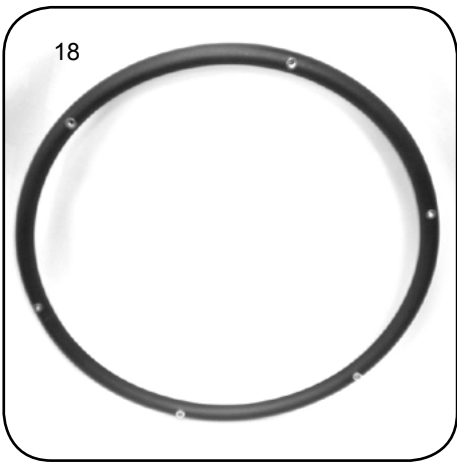
16



17



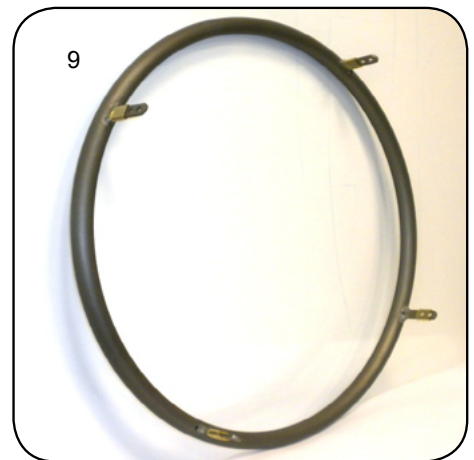
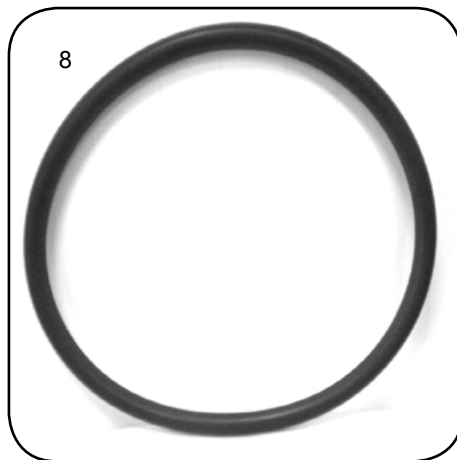
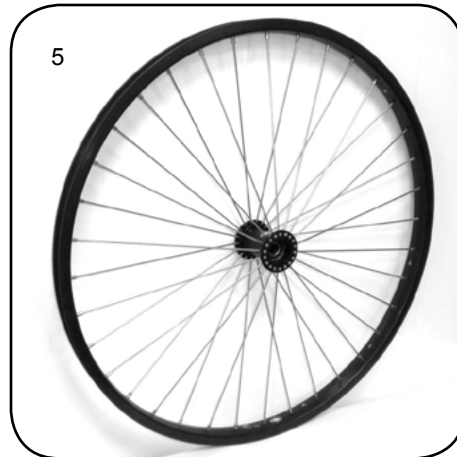
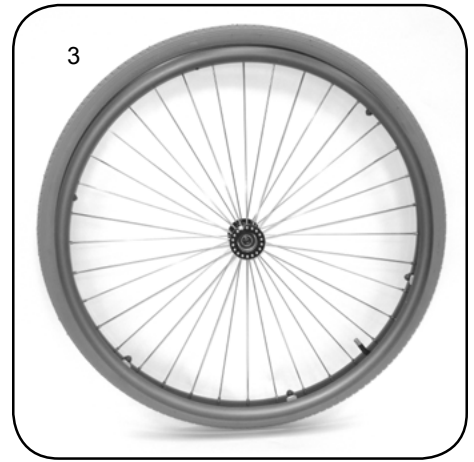
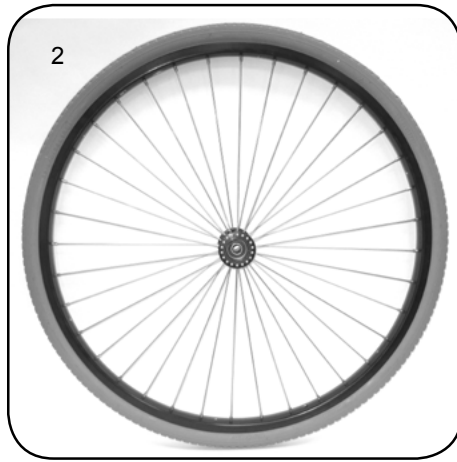
Wheels—24" Mag Wheel Assemblies & Components (cont.)



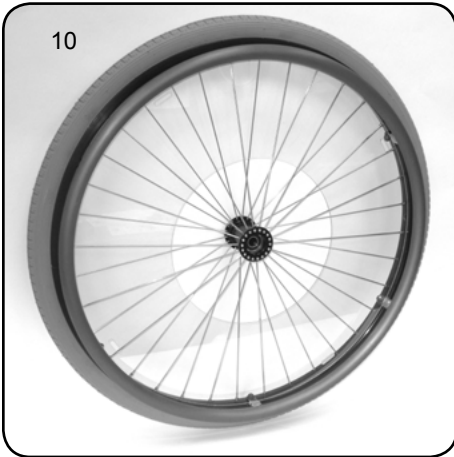
Wheels—24" Mag Wheel Assemblies & Components (cont.)

| POS. | ITEM # | DESCRIPTION | QTY | ASSY | NOTES: |
|------|---------|--------------------------------|-----|------|-------------------------------|
| 1 | 11228-1 | 24" MAG WHEEL ASSY PNEUMATIC | 1 | 1 | POS. 13, 15-16, 23 |
| 1 | 11228-2 | 24" MAG WHEEL ASSY PNEUMATIC | 1 | 1 | POS. 13, 15-16, 23 |
| 2 | 11328-1 | 24" MAG WHEEL ASSY PNEU D/L | 1 | 1 | POS. 14-16, 23 |
| 2 | 11328-2 | 24" MAG WHEEL ASSY PNEU D/L | 1 | 1 | POS. 14-16, 23 |
| 3 | 11232-1 | 24" MAG WHEEL ASSY PNEU HR | 1 | 1 | POS. 13, 15-16, 18, 20-21, 23 |
| 3 | 11232-2 | 24" MAG WHEEL ASSY PNEU HR | 1 | 1 | POS. 13, 15-16, 18, 20-21, 23 |
| 4 | 11332-1 | 24" MAG WHEEL ASSY PNEU HR DL | 1 | 1 | POS. 14-16, 18, 20-21, 23 |
| 4 | 11332-2 | 24" MAG WHEEL ASSY PNEU HR DL | 1 | 1 | POS. 14-16, 18, 20-21, 23 |
| 5 | 11240-1 | 24" MAG WHL ASSY PNEU PLST HR | 1 | 1 | POS. 13, 15-16, 19-21, 23 |
| 5 | 11240-2 | 24" MAG WHL ASSY PNEU PLST HR | 1 | 1 | POS. 13, 15-16, 19-21, 23 |
| 6 | 11340-1 | 24" MAG WHL ASSY PNEU PL HR DL | 1 | 1 | POS. 14-16, 19-21, 23 |
| 6 | 11340-2 | 24" MAG WHL ASSY PNEU PL HR DL | 1 | 1 | POS. 14-16, 19-21, 23 |
| 7 | 11205-1 | 24" MAG WHEEL ASSY AIRLESS | 1 | 1 | POS. 13, 15, 17, 23 |
| 7 | 11205-2 | 24" MAG WHEEL ASSY AIRLESS | 1 | 1 | POS. 13, 15, 17, 23 |
| 8 | 11305-1 | 24" MAG WHEEL ASSY AIRLESS D/L | 1 | 1 | POS. 14-15, 17, 23 |
| 8 | 11305-2 | 24" MAG WHEEL ASSY AIRLESS D/L | 1 | 1 | POS. 14-15, 17, 23 |
| 9 | 11209-1 | 24" MAG WHEEL ASSY AIRLESS HR | 1 | 1 | POS. 13, 15, 17-18, 20-21, 23 |
| 9 | 11209-2 | 24" MAG WHEEL ASSY AIRLESS HR | 1 | 1 | POS. 13, 15, 17-18, 20-21, 23 |
| 10 | 11309-1 | 24" MAG WHL ASSY AIRLESS HR DL | 1 | 1 | POS. 14-15, 17-18, 20-21, 23 |
| 10 | 11309-2 | 24" MAG WHL ASSY AIRLESS HR DL | 1 | 1 | POS. 14-15, 17-18, 20-21, 23 |
| 11 | 11237-1 | 24" MAG WHL ASSY AIRLESS PL HR | 1 | 1 | POS. 13, 15, 17, 19-21, 23 |
| 11 | 11237-2 | 24" MAG WHL ASSY AIRLESS PL HR | 1 | 1 | POS. 13, 15, 17, 19-21, 23 |
| 12 | 11337-1 | 24" MAG WHL ASSY AIRLS P HR DL | 1 | 1 | POS. 14-15, 17, 19-21, 23 |
| 12 | 11337-2 | 24" MAG WHL ASSY AIRLS P HR DL | 1 | 1 | POS. 14-15, 17, 19-21, 23 |
| 13 | 4025 | 24" MAG WHEEL W/ BEARINGS STD | 1 | 1 | INCLUDES POS. 23 |
| 14 | 4125 | 24" MAG WHEEL W/BEARINGS D/L | 1 | 1 | INCLUDES POS. 23 |
| 15 | 4035 | PNEUMATIC TIRE 24" X 1-3/8" | 1 | 1 | |
| 16 | 4041 | INNER TUBE 24" X 1-3/8" | 1 | 1 | |
| 17 | 4047 | AIRLESS INSERT 24" X 1-3/8" | 1 | 1 | |
| 18 | 4050 | HANDRIM - ALUMINUM 24" MAG | 1 | 1 | |
| 19 | 4055 | HANDRIM - PLST COATED 24" MAG | 1 | 1 | |
| 20 | 4058-8 | HANDRIM SPACERS | 8 | 8 | |
| 21 | 4086-8 | SCREW 10-32 X 2-1/4 PHIL PH HD | 8 | 8 | |
| 22 | 4093 | SPOKE GUARDS 24" WHEEL | 1 | 1 | |
| 23 | 4000 | HUB CAP - MAG WHEEL | 1 | 1 | |
| 24 | 2009 | BEARING 1-1/8" X 1/2" | 1 | 2 | |

Wheels—20" Spoke Wheel Assemblies & Components



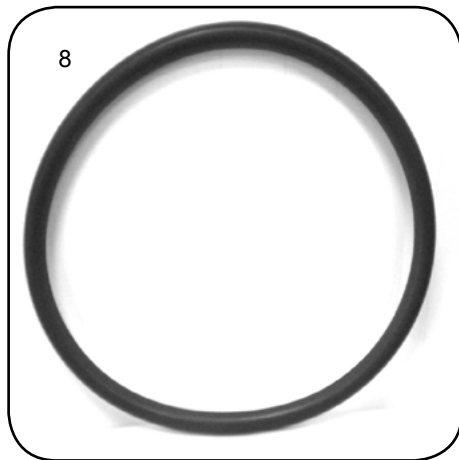
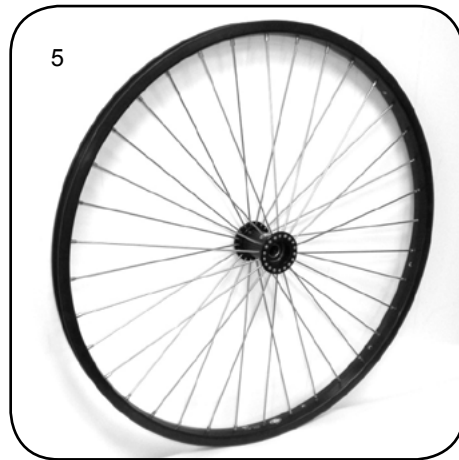
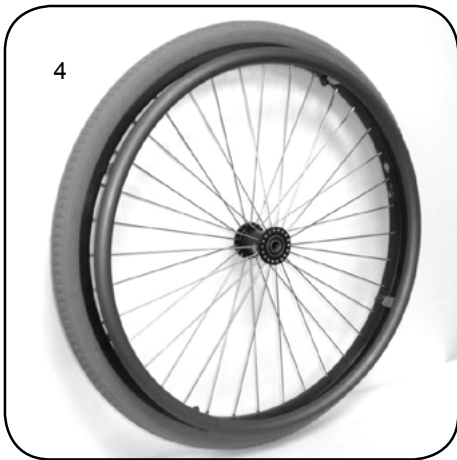
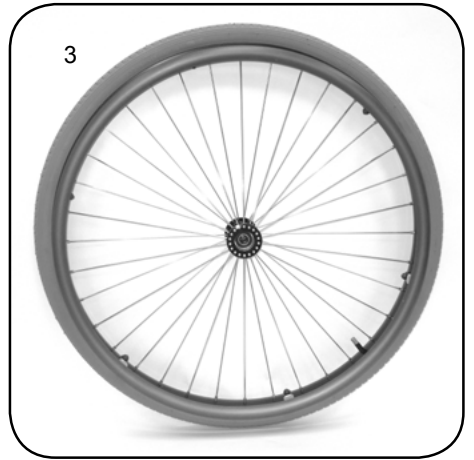
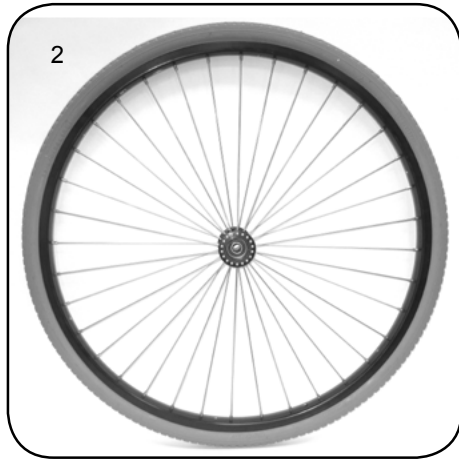
Wheels—20" Spoke Wheel Assemblies & Components (cont.)



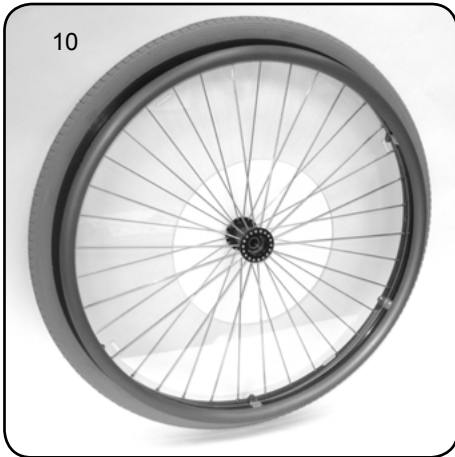
Wheels—20" Spoke Wheel Assemblies & Components (cont.)

| POS. | ITEM # | DESCRIPTION | QTY | ASSY | NOTES: |
|------|---------|--------------------------------|-----|------|-------------------|
| 1 | 11216-1 | 20" SPOKE WHEEL ASSY PNEU | 1 | 1 | POS. 5-7, 11 |
| 1 | 11216-2 | 20" SPOKE WHEEL ASSY PNEU | 1 | 1 | POS. 5-7, 11 |
| 2 | 11219-1 | 20" SPOKE WHEEL ASSY PNEU HR | 1 | 1 | POS. 5-7, 9, 11 |
| 2 | 11219-2 | 20" SPOKE WHEEL ASSY PNEU HR | 1 | 1 | POS. 5-7, 9, 11 |
| 3 | 11213-1 | 20" SPOKE WHEEL ASSY AIRLESS | 1 | 1 | POS. 5-6, 8, 11 |
| 3 | 11213-2 | 20" SPOKE WHEEL ASSY AIRLESS | 1 | 1 | POS. 5-6, 8, 11 |
| 4 | 11210-1 | 20" SPOKE WHL ASSY AIRLESS HR | 1 | 1 | POS. 5-6, 8-9, 11 |
| 4 | 11210-2 | 20" SPOKE WHL ASSY AIRLESS HR | 1 | 1 | POS. 5-6, 8-9, 11 |
| 5 | 4023a | 20" SPOKE WHL ONLY W/ BEARINGS | 1 | 1 | INCLUDES POS. 11 |
| 6 | 4033 | PNEUMATIC TIRE 20" X 1-3/8" | 1 | 1 | |
| 7 | 4039 | INNER TUBE 20" X 1-3/8" | 1 | 1 | |
| 8 | 4039 | AIRLESS INSERT 20" X 1-3/8" | 1 | 1 | |
| 9 | 4148 | HANDRIM - ALU 20" SPOKE WHEEL | 1 | 1 | |
| 10 | 4090 | SPOKE GUARDS 20" WHEEL | 1 | 1 | |
| 11 | 2009 | BEARING 1-1/8" X 1/2" | 1 | 2 | |

Wheels—22" Spoke Wheel Assemblies & Components



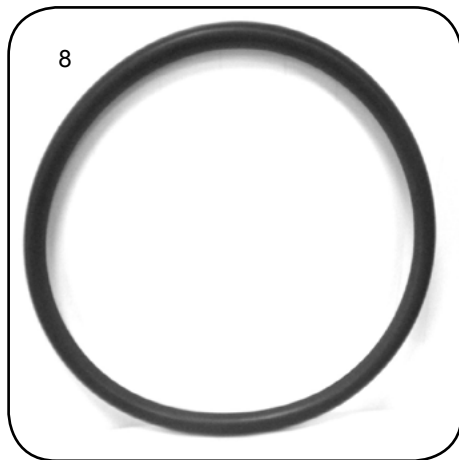
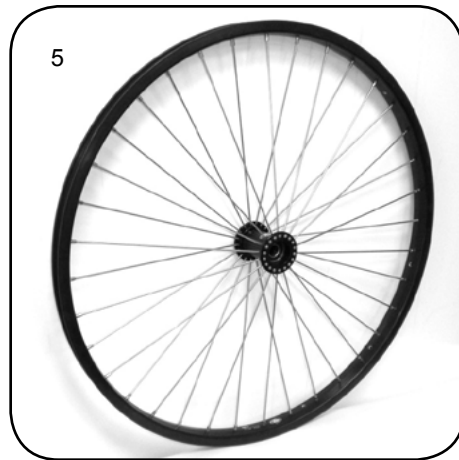
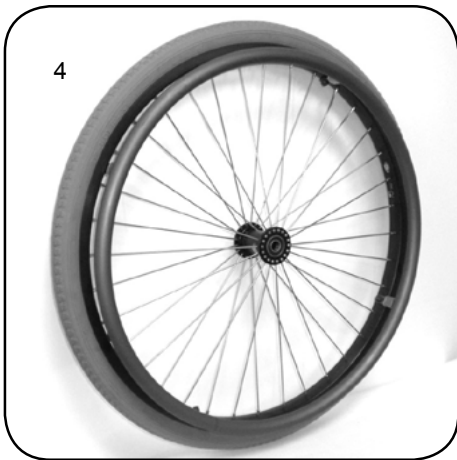
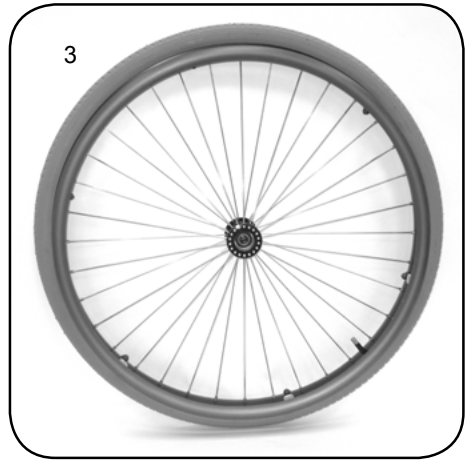
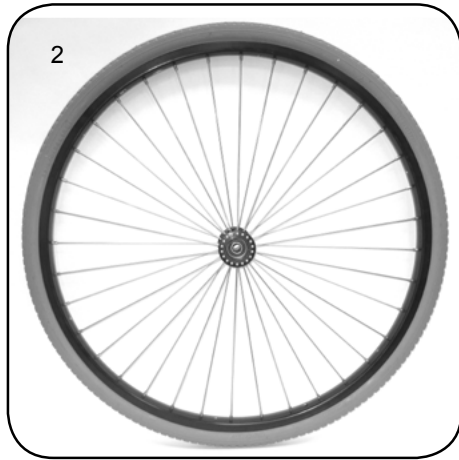
Wheels—22" Spoke Wheel Assemblies & Components (cont.)



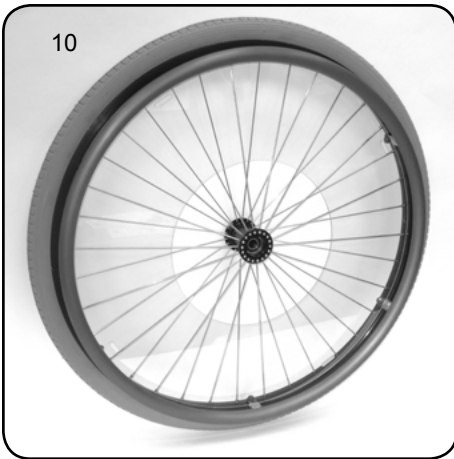
Wheels—22" Spoke Wheel Assemblies & Components (cont.)

| POS. | ITEM # | DESCRIPTION | QTY | ASSY | NOTES: |
|------|---------|--------------------------------|-----|------|-------------------|
| 1 | 11217-1 | 22" SPOKE WHEEL ASSY PNEU | 1 | 1 | POS. 5-7, 11 |
| 1 | 11217-2 | 22" SPOKE WHEEL ASSY PNEU | 1 | 1 | POS. 5-7, 11 |
| 2 | 11220-1 | 22" SPOKE WHEEL ASSY PNEU HR | 1 | 1 | POS. 5-7, 9, 11 |
| 2 | 11220-2 | 22" SPOKE WHEEL ASSY PNEU HR | 1 | 1 | POS. 5-7, 9, 11 |
| 3 | 11214-1 | 22" SPOKE WHEEL ASSY AIRLESS | 1 | 1 | POS. 5-6, 8, 11 |
| 3 | 11214-2 | 22" SPOKE WHEEL ASSY AIRLESS | 1 | 1 | POS. 5-6, 8, 11 |
| 4 | 11211-1 | 22" SPOKE WHL ASSY AIRLESS HR | 1 | 1 | POS. 5-6, 8-9, 11 |
| 4 | 11211-2 | 22" SPOKE WHL ASSY AIRLESS HR | 1 | 1 | POS. 5-6, 8-9, 11 |
| 5 | 4024a | 22" SPOKE WHL ONLY W/ BEARINGS | 1 | 1 | INCLUDES POS. 11 |
| 6 | 4034 | PNEUMATIC TIRE 22" X 1-3/8" | 1 | 1 | |
| 7 | 4040 | INNER TUBE 22" X 1-3/8" | 1 | 1 | |
| 8 | 4046 | AIRLESS INSERT 22" X 1-3/8" | 1 | 1 | |
| 9 | 4149 | HANDRIM - ALU 22" SPOKE WHEEL | 1 | 1 | |
| 10 | 4091 | SPOKE GUARDS 22" WHEEL | 1 | 1 | |
| 11 | 2009 | BEARING 1-1/8" X 1/2" | 1 | 2 | |

Wheels—24" Spoke Wheel Assemblies & Components



Wheels—24" Spoke Wheel Assemblies & Components (cont.)



Wheels—24" Spoke Wheel Assemblies & Components (cont.)

| POS. | ITEM # | DESCRIPTION | QTY | ASSY | NOTES: |
|------|---------|--------------------------------|-----|------|-------------------|
| 1 | 11218-1 | 24" SPOKE WHEEL ASSY PNEU | 1 | 1 | POS. 5-7, 11 |
| 1 | 11218-2 | 24" SPOKE WHEEL ASSY PNEU | 1 | 1 | POS. 5-7, 11 |
| 2 | 11221-1 | 24" SPOKE WHEEL ASSY PNEU HR | 1 | 1 | POS. 5-7, 9, 11 |
| 2 | 11221-2 | 24" SPOKE WHEEL ASSY PNEU HR | 1 | 1 | POS. 5-7, 9, 11 |
| 3 | 11215-1 | 24" SPOKE WHEEL ASSY AIRLESS | 1 | 1 | POS. 5-6, 8, 11 |
| 3 | 11215-2 | 24" SPOKE WHEEL ASSY AIRLESS | 1 | 1 | POS. 5-6, 8, 11 |
| 4 | 11212-1 | 24" SPOKE WHL ASSY AIRLESS HR | 1 | 1 | POS. 5-6, 8-9, 11 |
| 4 | 11212-2 | 24" SPOKE WHL ASSY AIRLESS HR | 1 | 1 | POS. 5-6, 8-9, 11 |
| 5 | 4025a | 24" SPOKE WHL ONLY W/ BEARINGS | 1 | 1 | INCLUDES POS. 11 |
| 6 | 4035 | PNEUMATIC TIRE 24" X 1-3/8" | 1 | 1 | |
| 7 | 4041 | INNER TUBE 24" X 1-3/8" | 1 | 1 | |
| 8 | 4047 | AIRLESS INSERT 24" X 1-3/8" | 1 | 1 | |
| 9 | 4150 | HANDRIM - ALU 24" SPOKE WHEEL | 1 | 1 | |
| 10 | 4092 | SPOKE GUARDS 24" WHEEL | 1 | 1 | |
| 11 | 2009 | BEARING 1-1/8" X 1/2" | 1 | 2 | |

Appendix—Technical Specifications

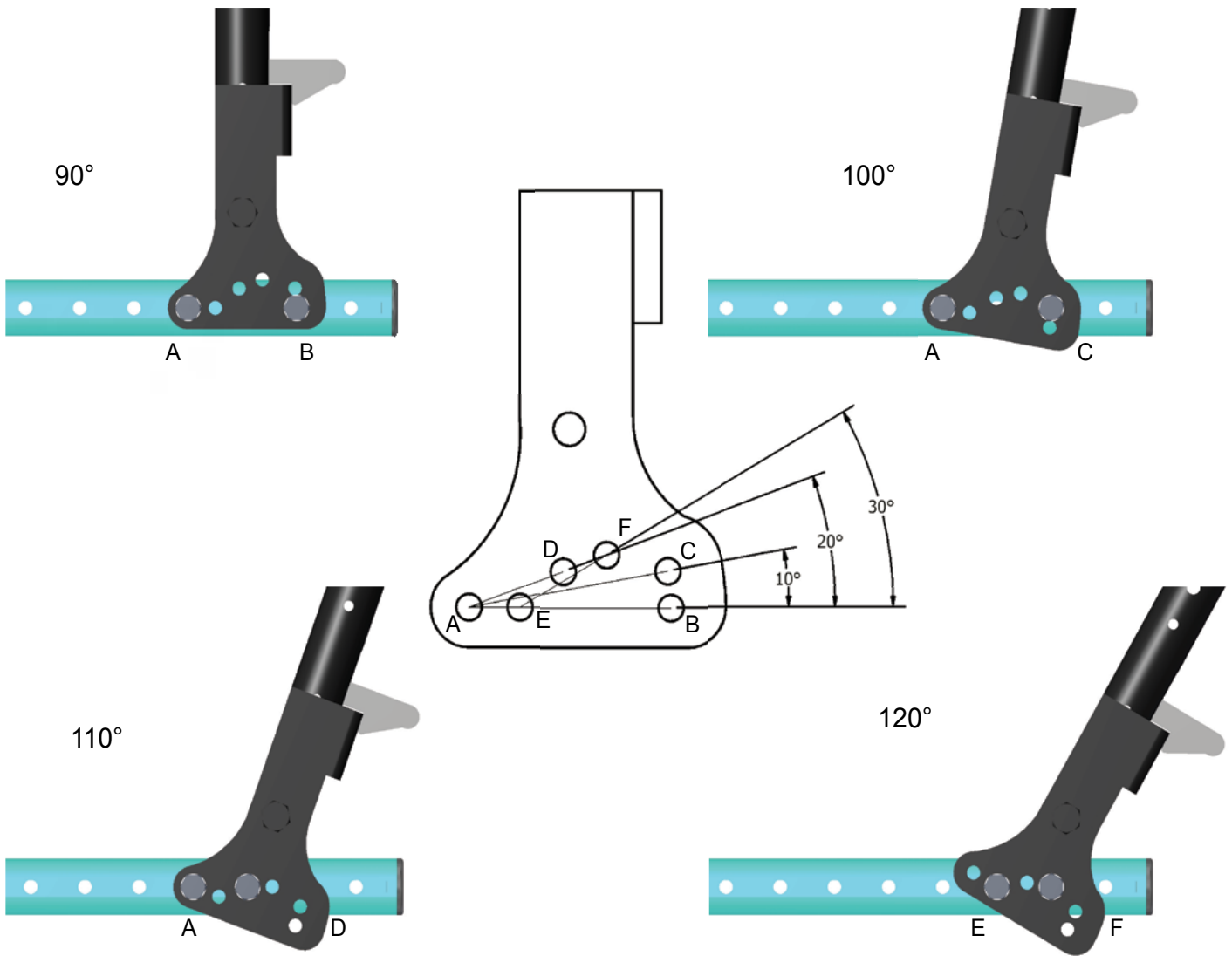
| Dimensions & Specifications | |
|------------------------------------|---|
| Frame Weight (approximate) | 22 lbs. complete (wheels, legrests, tubular armrests) |
| Tilt Range: | -5° (anterior tilt on tall pivot frame) to 45° |
| Occupant Weight capacity | All frames 225 lbs. |
| Overall Width at rear wheels | frame width + 8.5" (9.5" with foot or hand activated wheel locks) |
| Overall width at armrests | frame width + 6" |
| Overall frame length (approximate) | Short - 39" Medium - 44" Long - 48" |

| NXT Footrest / Extension Lengths | | | | | |
|---|-------------|-------------|-------------|------------|--------------------|
| Extension/Hanger | 75° Pop | 75° Lch | 90° Pop | 90 °Lch | ELR (90°) |
| Hanger Only | 6"-8" | 5.5"-8.5" | 4"-8" | 4"-8" | 6"-10" |
| High Mount | N/A | N/A | 1.5"-3" | N/A | N/A |
| 4" H D Ext. | 9"-12" | 9.5"-12.5" | 9"-12" | 9"-12" | 13"-15" |
| 6" H D Ext. | 9"-15" | 9.5"-15.5" | 9"-15" | 9"-15" | N/A |
| 4" Adjustable | 10"-13" | 9.5"-12.5" | 11"-13" | 10"-13" | N/A |
| 6" Adjustable | 12"-15" | 10.5"-14.5" | 13"-15" | 12"-15" | N/A |
| 8" Adjustable | 14"-17" | 12.5"-16.5" | N/A | N/A | N/A |
| NXT MAPS Footrest / Extension Lengths | | | | | |
| Extension/Hanger | 75° Pop | 75° Lch | 90° Pop | 90 °Lch | ELR (90°) |
| Hanger Only | 5.5"-7.5" | 5"-8" | 5.5"-7.5" | 4.5"-7.5" | 4.5"- 8.5" & 11.5" |
| High Mount | N/A | N/A | N/A | N/A | N/A |
| 4" H D Ext. | 8.5"-11.5" | 9"-12" | 8.5"-11.5" | 8.5"-11.5" | 12.5"-15.5" |
| 6" H D Ext. | 8.5"-13.5" | 9"-14" | 8.5"-13.5" | 8.5"-13.5" | N/A |
| 4" Adjustable | 8.5"-11.5" | 9"-12" | 9.5"-11.5" | 8.5"-11.5" | N/A |
| 6" Adjustable | 10.5"-13.5" | 10"-14" | 11.5"-13.5" | 8.5"-13.5" | N/A |
| 8" Adjustable | 12.5"-15.5" | 12"-16" | N/A | N/A | N/A |
| <p>Note: Length from top of footrest plate to top of seat rail.</p> <p>Note: Without extensions bottom hanger hole not accessible for hardware.</p> <p>Note: Heavy duty extensions do not telescope adjust. Footrests adjust vertically in length on heavy duty extension tubes.</p> | | | | | |

| Freedom Designs Armrest Heights | | | |
|---|------------|------------|------------|
| Armrest Style | Foam | Desk | Full |
| Flip Back | 6.5"-11.5" | 7.5"-12.5" | 7.5"-12.5" |
| Flip Back Locking | 6.5"-11.5" | 7.5"-12.5" | 7.5"-12.5" |
| Flip Back Telescoping | 6.5"-11.5" | 7.5"-12.5" | 7.5"-12.5" |
| Flip Back Telescoping Locking | 6.5"-11.5" | 7.5"-12.5" | 7.5"-12.5" |
| Single Post Height Adjustable Short | N/A | 8" - 14" | 8" - 14" |
| Single Post Height Adjustable Tall | N/A | 10" - 16" | 10" - 16" |
| Dual Post Fixed Height | N/A | 9.5" | 9.5" |
| Dual Post Adjustable Height Flip Back | N/A | 9" - 13" | 9" - 13" |
| Note: All heights from top of seat frame to top of armrest pad | | | |

Appendix—Technical Specifications (cont.)

Backpost Mounting Bracket Angle Adjustment Settings



Appendix—Technical Specifications (cont.)

| NXT Wheel / Caster Seat to Floor Heights | | | | | | | | |
|--|--------|-------|--------|--|-------|--------|-------|--------|
| Wheel | Caster | Pivot | Height | | Wheel | Caster | Pivot | Height |
| 12" | 3" | Short | 12.5" | | 18" | 5" | Tall | 16.5" |
| 12" | 3" | Tall | 14" | | 18" | 5" | Short | 15.5" |
| 12" | 3" | Short | 13" | | 18" | 5" | Tall | 17" |
| 12" | 3" | Tall | 14.5" | | 18" | 6" | Short | 15.5" |
| 12" | 4" | Short | 13.5" | | 18" | 6" | Tall | 17" |
| 12" | 4" | Tall | 15" | | 20" | 4" | Short | 14" |
| 12" | 5" | Short | 15.5" | | 20" | 4" | Tall | 15.5" |
| 12" | 5" | Tall | 17" | | 20" | 4" | Short | 14.5" |
| 12" | 6" | Short | 16" | | 20" | 4" | Tall | 16" |
| 12" | 6" | Tall | 17.5" | | 20" | 4" | Short | 15" |
| 16" | 3" | Short | 12.5" | | 20" | 4" | Tall | 16.5" |
| 16" | 3" | Tall | 14" | | 20" | 5" | Short | 14.5" |
| 16" | 3" | Short | 13" | | 20" | 5" | Tall | 16" |
| 16" | 3" | Tall | 14.5" | | 20" | 5" | Short | 15" |
| 16" | 4" | Short | 13.5" | | 20" | 5" | Tall | 16.5" |
| 16" | 4" | Tall | 15" | | 20" | 5" | Short | 15.5" |
| 16" | 4" | Short | 14" | | 20" | 5" | Tall | 17" |
| 16" | 4" | Tall | 15.5" | | 20" | 6" | Short | 15.5" |
| 16" | 4" | Short | 14.5" | | 20" | 6" | Tall | 17" |
| 16" | 4" | Tall | 16" | | 20" | 6" | Short | 16" |
| 16" | 5" | Short | 14.5" | | 20" | 6" | Tall | 17.5" |
| 16" | 5" | Tall | 16" | | 20" | 7" | Short | 16.5" |
| 16" | 7" | Short | 16.5" | | 20" | 7" | Tall | 18" |
| 16" | 7" | Tall | 18" | | | | | |
| 18" | 3" | Short | 12.5" | | 22" | 4" | Tall | 16.5" |
| 18" | 3" | Tall | 14" | | | | | |
| 18" | 3" | Short | 13" | | 22" | 5" | Tall | 16.5" |
| 18" | 3" | Tall | 14.5" | | | | | |
| 18" | 4" | Short | 13.5" | | 22" | 5" | Tall | 17" |
| 18" | 4" | Tall | 15" | | | | | |
| 18" | 4" | Short | 14" | | 22" | 6" | Tall | 17" |
| 18" | 4" | Tall | 15.5" | | | | | |
| 18" | 4" | Short | 14.5" | | 22" | 6" | Tall | 17.5" |
| 18" | 4" | Tall | 16" | | | | | |
| 18" | 4" | Short | 15" | | 22" | 7" | Tall | 18" |
| 18" | 4" | Tall | 16.5" | | | | | |
| 18" | 5" | Short | 14.5" | | 24" | 6" | Tall | 17.5" |
| 18" | 5" | Tall | 16" | | | | | |
| 18" | 5" | Short | 15" | | 24" | 7" | Tall | 18" |

Note: All 22" and 24" wheels not with short tilt pivot.
 Note: All measurements may vary +/- 3/8"
 Note: Measurements may vary +/- 1/2" when choosing foot or hand activated wheel locks

Index—Page Location by Part Number

| ITEM # | DESCRIPTION | FOUND ON PAGE(S): |
|--------|--------------------------------|---|
| 1010 | HANGER LOCKING INSERT POP-UP | 72, 74 |
| 1011 | HANGER LATCH - POP-UP | 70 |
| 1012 | HANGER LATCH SPRING - POP-UP | 70 |
| 1013 | LATCH SEAT RAIL INSERT POP-UP | 70 |
| 1015 | HANGER ALIGNMENT GUIDE -POP-UP | 72, 74 |
| 1720 | CAP - CASTER HOUSING | 37 |
| 1998 | FOAM GRIP 1" ID X 4.5" | 25 |
| 2003 | DOUBLE LOCK AXLE RECEIVER | 23 |
| 2009 | BEARING - 1 1/8" X 1/2" | 37, 38, 106, 108, 111, 114, 118, 122, 126, 129, 132 |
| 2011 | FORK ONLY 3" CASTER | 35 |
| 2013-4 | CASTER AXLE SPACER 5/16 X .380 | 35 |
| 2037 | REMOVABLE FTBRD ONLY 10-11W | 53 |
| 2038 | REMOVABLE FTBRD ONLY 12-13W | 53 |
| 2039 | REMOVABLE FTBRD ONLY 14-15W | 53 |
| 2040 | REMOVABLE FTBRD ONLY 16-17W | 53 |
| 2041 | REMOVABLE FTBRD ONLY 18-20W | 53 |
| 3012 | HANGER PIVOT FITTING - LATCH | 68 |
| 3013 | HANGER PIVOT FITTING - POP-UP | 72, 74 |
| 3024 | FRAME CLAMP - ANG ADJ REM FTBD | 53, 57 |
| 3025 | LKNG INSRT SADDLE - REM FTBD | 53 |
| 3026 | ADJUSTMENT TUBE - REM FTBRD | 53 |
| 3027 | ANG ADJ CLAMP - REM FTBD | 53 |
| 3028 | CLAMP PLATE - ANG ADJ REM FTBD | 53 |
| 3029 | RCVR ASSY - ANG ADJ REM FTBD | 53 |
| 3032 | SPACER TUBE - FOOTBOARD 10-11W | 53 |
| 3033 | SPACER TUBE - FOOTBOARD 12-13W | 53 |
| 3034 | SPACER TUBE - FOOTBOARD 14-15W | 53 |
| 3035 | SPACER TUBE - FOOTBOARD 16-17W | 53 |
| 3036 | SPACER TUBE - FOOTBOARD 18-20W | 53 |
| 3037 | FRAME CLAMP ASSY - REM FTBD | 53 |
| 3041 | INSRT SDL & RCVR ASSY REM FTBD | 53 |
| 3099-4 | TUBE PLUG 3/4" | 3, 13, 16, 53 |
| 4000 | HUB CAP - MAG WHEEL | 114, 118, 122 |
| 4001 | AXLE Q/R 4-1/2" X 1/2" STD | 23 |
| 4020 | 12" MAG WHEEL W/BEARINGS STD | 106 |
| 4021 | 16" MAG WHEEL W/ BEARINGS STD | 108 |
| 4022 | 18" MAG WHEEL W/ BEARINGS STD | 111 |
| 4023 | 20" MAG WHEEL W/ BEARINGS STD | 114 |
| 4024 | 22" MAG WHEEL W/ BEARINGS STD | 118 |
| 4025 | 24" MAG WHEEL W/ BEARINGS STD | 122 |
| 4028 | LOW PROFILE POLY TIRE 12" | 106 |
| 4029 | PNEUMATIC TIRE 12" X 2.125" | 106 |
| 4031 | PNEUMATIC TIRE 16" X 1.175" | 108 |
| 4032 | PNEUMATIC TIRE 18" X 1.175" | 111 |
| 4033 | PNEUMATIC TIRE 20" X 1-3/8" | 114, 126 |
| 4034 | PNEUMATIC TIRE 22" X 1-3/8" | 118, 129 |

Index—Page Location by Part Number (cont.)

| ITEM # | DESCRIPTION | FOUND ON PAGE(S): |
|--------|--------------------------------|-------------------|
| 4035 | PNEUMATIC TIRE 24" X 1-3/8" | 122, 132 |
| 4036 | INNER TUBE 12" X 2.125" | 106 |
| 4037 | INNER TUBE 16" X 1.175" | 108 |
| 4038 | INNER TUBE 18" X 1.175" | 111 |
| 4039 | INNER TUBE 20" X 1-3/8" | 114, 126 |
| 4040 | INNER TUBE 22" X 1-3/8" | 118, 129 |
| 4041 | INNER TUBE 24" X 1-3/8" | 122, 132 |
| 4042 | AIRLESS INSERT 12" X 2.125" | 106 |
| 4043 | AIRLESS INSERT 16" X 1.175" | 108 |
| 4044 | AIRLESS INSERT 18" X 1.175" | 111 |
| 4045 | AIRLESS INSERT 20" X 1-3/8" | 114, 126 |
| 4046 | AIRLESS INSERT 22" X 1-3/8" | 118, 129 |
| 4047 | AIRLESS INSERT 24" X 1-3/8" | 122, 132 |
| 4048 | HANDRIM - ALUMINUM 20" MAG | 114 |
| 4049 | HANDRIM - ALUMINUM 22" MAG | 118 |
| 4050 | HANDRIM - ALUMINUM 24" MAG | 122 |
| 4053 | HANDRIM - PLST COATED 20" MAG | 114 |
| 4054 | HANDRIM - PLST COATED 22" MAG | 118 |
| 4055 | HANDRIM - PLST COATED 24" MAG | 122 |
| 4056 | HANDRIM - ALUMINUM 16" MAG | 108 |
| 4057 | HANDRIM - ALUMINUM 18" MAG | 111 |
| 4058-8 | HANDRIM SPACERS | 114, 118, 122 |
| 4086-8 | SCREW 10-32 X 2-1/4 PHIL PH HD | 114, 118, 122 |
| 4090 | SPOKE GUARD 20" WHEEL | 114, 126 |
| 4091 | SPOKE GUARD 22" WHEEL | 118, 129 |
| 4093 | SPOKE GUARDS 24" WHEEL | 122, 132 |
| 4120 | 12" MAG WHEEL W/ BEARINGS D/L | 106 |
| 4121 | 16" MAG WHEEL W/ BEARINGS D/L | 108 |
| 4122 | 18" MAG WHEEL W/ BEARINGS D/L | 111 |
| 4123 | 20" MAG WHEEL W/ BEARINGS D/L | 114 |
| 4124 | 22" MAG WHEEL W/ BEARINGS D/L | 118 |
| 4125 | 24" MAG WHEEL W/BEARINGS D/L | 122 |
| 4148 | HANDRIM - ALU 20" SPOKE WHEEL | 126 |
| 4149 | HANDRIM - ALU 22" SPOKE WHEEL | 129 |
| 4150 | HANDRIM - ALU 24" SPOKE WHEEL | 132 |
| 5015 | CLAMP ASSY 1" TO 3/4" | 95, 98 |
| 5018 | WHEEL LOCK MTG BAR SHORT 4" | 95, 98 |
| 5019 | WHEEL LOCK MTG BAR LONG 6" | 95, 98 |
| 5020 | FOAM GRIP 1" ID X 6" LONG | 33 |
| 5021 | FOAM ARMREST PAD - 4 1/2" | 5, 7, 9, 11 |
| 5022 | FOAM ARMREST PAD - 9 1/2" | 5, 7, 9, 11 |
| 5023-4 | STEM BMPR FOR BACKPOST & ARMS | 7, 11, 25 |
| 5028-4 | WHEEL LOCK LEVER BUSHING | 95, 98 |
| 6012 | F/BACK ARMREST ANG ADJ BARREL | 5, 9 |
| 6014 | F/BCK ARMREST MTG PLATE | 5, 7, 9, 11 |
| 8007 | ANTI TIP ADJUSTMENT SLEEVE | 3 |

Index—Page Location by Part Number (cont.)

| ITEM # | DESCRIPTION | FOUND ON PAGE(S): |
|--------|---------------------------------|--|
| 8712-2 | SCREW 5/16-18 x 1-3/4" FLAT HD | 51 |
| 8713-2 | SCREW 5/16-18 x 1-1/2" BUTTON | 87 |
| 8987-4 | WASHER 1/4" ID X 3/8" OD | 95, 98 |
| 8997-4 | RUBBER BUSHING - THIN | 87, 89, 91 |
| 9000-4 | TUBE PLUG - 1" | 5, 7, 9, 11, 19, 21, 25, 57, 59, 62, 72 |
| 9004-2 | 1" SADDLE FOR 1/4" SCREW | 49 |
| 9005-2 | PLSTIC SDL 1" FOR 5/16" SCREW | 5, 7, 9, 11, 25, 93 |
| 9010-4 | WASHER 1/4" NYLON 3/8" OD | 3, 70, 95, 98 |
| 9016-4 | SCREW 10-32 X 1-1/4" PAN HD | 13, 16 |
| 9020-4 | SCREW-1/4-20 X 1 1/4 HEX HEAD | 13, 16 |
| 9021-4 | SCREW 1/4-20 X 1-1/2" HEX HEAD | 5, 9, 13, 16, 101 |
| 9022-4 | SCREW-1/4-20 X 1 3/4" HEX HEAD | 7, 11 |
| 9023-4 | SCREW 1/4-20 X 2" HEX HEAD | 3, 5, 7, 9, 11, 23, 27, 41, 53, 57, 104 |
| 9024-4 | SCREW 1/4-20 X 2-1/4" HEX HD | 19, 21, 23, 25, 104 |
| 9025-4 | SCREW 1/4-20 X 2-1/2" HEX HEAD | 41 |
| 9026-2 | SCREW-1/4-20 X 2 3/4" HEX HEAD | 5, 9 |
| 9031-4 | SCREW 1/4-20 X 1/2" BUTTON HD | 41, 59 |
| 9033-4 | SCREW 1/4-20 X 1" BUTTON HEAD | 57, 95, 98, 101, 108, 111, |
| 9034-4 | SCREW 1/4-20 X 1-1/4" BHCS | 3, 33, 53, 62, 70, 74, 87, 89 |
| 9035-4 | SCREW 1/4-20X 1-1/2" BUTTON | 25, 27, 33, 41, 45, 55, 57, 59, 70, 74, 87, 89, 91 |
| 9036-4 | SCREW 1/4-20 X 1-3/4" BUTTON | 51, 70, 72, 74, 87, 89, 91, 93 |
| 9037-4 | SCREW 1/4-20 X 2" BUTTON HD | 41, 49, 59, 70, 101 |
| 9039-4 | SNGL PST FRM LTCH SPCR BSHNG | 13, 16, |
| 9040-4 | SNGL PST ARM FRM LTCH SPRING | 13, 16 |
| 9042-4 | SCREW 10-32 X 1/2" SET SCREW | 9, 11 |
| 9046-4 | SCREW 1/4-20 X 3/4" FLAT HEAD | 51, 72, 74 |
| 9047-4 | SCREW 1/4-20 X 1" FLAT HEAD | 49 |
| 9048-4 | SCREW 1/4-20 X 1-1/4" FLAT HD | 21 |
| 9050-4 | SCREW 1/4-20 X 1-3/4" FLAT HD | 53 |
| 9057-4 | SCREW 10-32 X 3/4" BTN HD | 13, 16 |
| 9060-4 | SCREW 1/4-20 X 3/4" SOCKET HD | 62 |
| 9061-4 | SCREW 1/4-20 X 1" SOCKET HEAD | 41 |
| 9062-4 | SCREW 1/4-20X1 1/4" SCKET HEAD | 23, 45, 101, 104 |
| 9063-4 | SCREW 1/4-20 X 1-1/2" SOCKET H | 68, 95, 98 |
| 9064-4 | SCREW 1/4-20 X 1-3/4" SKT HD | 47 |
| 9065-4 | SCREW 1/4-20 X 2" SOCKET HD | 27 |
| 9070-4 | SCREW 10-32 X 1 1/4" BTN HD | 13, 16 |
| 9072-4 | LOCKNUT 1/4-20 NYLON | 5, 7, 11, 19, 21, 25, 27, 41, 47, 49, 51, 53, 87, 91, 108, 111 |
| 9073-4 | LOCKNUT 1/4-20 NYLON-THIN | 3, 5, 7, 9, 11, 21, 23, 25, 33, 41, 45, 51, 55, 57, 59, 62, 70, 74, 87, 95, 98, 101, 104 |
| 9074-4 | WASHER 1/4" FLAT 1/2" OD | 3, 5, 7, 9, 11, 13, 16, 19, 21, 23, 25, 27, 41, 45, 49, 53, 55, 57, 59, 70, 74, 87, 89, 91, 93, 101, 104 |
| 9075-4 | WASHER 1/4" FLAT-THIN | 5, 7, 9, 11, 51, 74 |
| 9081-4 | SCREW 5/16-18 X 2 1/4" HEX HEAD | 25 |
| 9082-2 | SCREW 5/16-18 X 2-1/2" HEX HD | 35 |
| 9083-1 | SCREW 5/16-18 X 2-3/4" HEX HD | 87, 89, 91 |
| 9084-1 | SCREW 5/16-18 X 3-1/2" HEX HD | 35 |

Index—Page Location by Part Number (cont.)

| ITEM # | DESCRIPTION | FOUND ON PAGE(S): |
|--------|--------------------------------|-----------------------------|
| 9085-4 | LOCKNUT 1/2-20 NYLOC-THIN | 35, 37 |
| 9086-4 | LOCKNUT 10-32 NYLOC | 13, 16, 68 |
| 9087-4 | LOCKNUT 5/16-18 NYLOC | 51 |
| 9088-4 | LOCKNUT 5/16-18 NYLON-THIN | 25, 35, 74, 87, 89, 91 |
| 9089-4 | WASHER 5/16" FLAT | 5, 7, 9, 11, 35, 87 |
| 9090-4 | WASHER 5/16" FLAT, THIN | 25, 51, 74 |
| 9091-4 | LOCKNUT 1/2" HEX JAM | 35 |
| 9092-4 | LOCKNUT 3/4-16 HEX JAM | 23, 104 |
| 9102-4 | SCREW 10-32 X 1" BTTN HEAD | 16, 68 |
| 9103-4 | SCREW 5/16-18 X 2 1/4" FLAT HD | 74 |
| 9104-4 | SCREW 10-32 X 1/4" SOCKET HD | 9, 11 |
| 9106-4 | SCREW 10-32 X 1-1/4 PHIL PN HD | 19, 21 |
| 9108 | HEEL LOOP MNT STUD CMPST FTPLT | 47 |
| 9110-4 | SCREW 1/4-20 X 1-5/8" BTN HD | 47, 51 |
| 9114-4 | WASHER 1/2" FLAT | 35, 37 |
| 9115-4 | SCREW 10-32 X 3/8 PHIL PAN HD | 9, 11 |
| 9116-4 | SCREW 1/4-20 X 2-1/2" BHCS | 66, 93 |
| 9121-4 | NUT 3/4-16 JAM NUT ZINC | 101, 104 |
| 9122-4 | SCREW 5MM X 8MM BHCS | 101, 104 |
| 9123-4 | WASHER 6MM ID CHROME FLAT | 101, 104 |
| 9124-4 | NUT 10MM CHROME LOCK NUT | 101, 104 |
| 9125-4 | NUT 10MM JAM NUT | 87, 89, 101, 104 |
| 9126-4 | SCREW 10-32 X 3/8" BHCS | 101 |
| 9127-4 | SCREW 10-32 X 3/8" SOCKET | 95, 98, 101 |
| 9128-4 | SCREW 1/4-20 X 2-1/4" BHCS | 101 |
| 10200 | ANG ADJ REM FTBRD ASSY, 10-11W | 53 |
| 10201 | ANG ADJ REM FTBRD ASSY, 12-13W | 53 |
| 10202 | ANG ADJ REM FTBRD ASSY, 14-15W | 53 |
| 10203 | ANG ADJ REM FTBRD ASSY, 16-17W | 53 |
| 10204 | ANG ADJ REM FTBRD ASSY, 18-20W | 53 |
| 10710 | CANOPY FABRIC ONLY | 1 |
| 10712 | CANOPY ASSY STD | 1 |
| 10713 | CANOPY FABRIC ONLY W/ VISOR | 1 |
| 10714 | CANOPY W/ VISOR ASSY | 1 |
| 10715 | CANOPY FRAME & MTG HDWE | 1 |
| 10717 | CANOPY FRAME ONLY | 1 |
| 10722 | FLIP BACK ARM TUBE ONLY 13.5" | 5 |
| 10754 | LKG F/BCK ARM TUBE ONLY 13.5" | 7 |
| 10909 | SEAT PAN - REMOVABLE W/ HDWE | 85 |
| 10910 | SEAT PAN - FIXED W/ HDWE | 85 |
| 10913 | ARM PAD DESK LENGTH 9 1/4" | 5, 7, 9, 11, 13, 16, 19, 21 |
| 10916 | ARM PAD FULL LENGTH 13 1/4" | 5, 7, 9, 11, 13, 16, 19, 21 |
| 12006 | COMPOSITE TILT HANDLE | 89, 91 |
| 13070 | NYLON BEARING | 41, 45, 59 |
| 13167 | ANG ADJ REM FTBD HDWE 10-11W | 53 |
| 13168 | ANG ADJ REM FTBD HDWE 12-13W | 53 |

Index—Page Location by Part Number (cont.)

| ITEM # | DESCRIPTION | FOUND ON PAGE(S): |
|---------|---|-------------------|
| 13169 | ANG ADJ REM FTBD HDWE 14-15W | 53 |
| 13170 | ANG ADJ REM FTBD HDWE 16-17W | 53 |
| 13171 | ANG ADJ REM FTBD HDWE 18-20W | 53 |
| 17004 | DUAL SNAP BUTTON | 3 |
| 100311 | Bearing, Idler Wheel | 29 |
| 502076 | M8 x 1.25 Steel Ball Plunger, Locking | 29 |
| 505009 | Footrest Tube Draw Bolt, Short | 77 |
| 505046 | Leg Post Hanger Weldment, Contracture, LH | 77 |
| 505047 | Leg Post Hanger Weldment, Contracture, RH | 77 |
| 10044-1 | FORK ASSEMBLY - 3" CASTER | 35 |
| 10044-2 | FORK ASSEMBLY - 3" CASTER | 35 |
| 10052-1 | FORK ASSEMBLY - 4" CASTER | 35 |
| 10052-2 | FORK ASSEMBLY - 4" CASTER | 35 |
| 10053-1 | FORK ASSY MULTI POSITION FORK | 35 |
| 10053-2 | FORK ASSY MULTI POSITION FORK | 35 |
| 10054-1 | FORK ASSY 6" & 7" X 2" CASTER | 35 |
| 10054-2 | FORK ASSY 6" & 7" X 2" CASTER | 35 |
| 10064-1 | WHEEL LOCK EXT HNDL PULL 6" | 98 |
| 10064-2 | WHEEL LOCK EXT HNDL PULL 6" | 98 |
| 10067-1 | WHEEL LOCK EXT HNDL PUSH 6" | 95 |
| 10067-2 | WHEEL LOCK EXT HNDL PUSH 6" | 95 |
| 10141-1 | 3" LIGHT UP CASTER W/ SPACER | 38 |
| 10141-2 | 3" LIGHT UP CASTER W/ SPACER | 38 |
| 10145-1 | 6" X 1" PNEUM CASTER W/ SPACER | 38 |
| 10145-2 | 6" X 1" PNEUM CASTER W/ SPACER | 38 |
| 10148-1 | 7" X 1-1/2" CASTER W/ SPACER | 38 |
| 10148-2 | 7" X 1-1/2" CASTER W/ SPACER | 38 |
| 10149-1 | 5" X 1-1/2" POLY CASTER W/ SPC | 38 |
| 10149-2 | 5" X 1-1/2" POLY CASTER W/ SPC | 38 |
| 10152-1 | 4" POLY CASTER W/ SPACER | 38 |
| 10152-2 | 4" POLY CASTER W/ SPACER | 38 |
| 10153-1 | 4" LIGHT UP CASTER W/ SPACER | 38 |
| 10153-2 | 4" LIGHT UP CASTER W/ SPACER | 38 |
| 10154-1 | 7 X 2" POLY CASTER W/ SPACER | 38 |
| 10154-2 | 7 X 2" POLY CASTER W/ SPACER | 38 |
| 10155-1 | 5 X 1.5" POLY ALU MAG CASTER | 38 |
| 10155-2 | 5 X 1.5" POLY ALU MAG CASTER | 38 |
| 10156-1 | 6 X 1.5" POLY ALU MAG CASTER | 38 |
| 10156-2 | 6 X 1.5" POLY ALU MAG CASTER | 38 |
| 10157-1 | 4 X 1.5" POLY ALU MAG CASTER | 38 |
| 10157-2 | 4 X 1.5" POLY ALU MAG CASTER | 38 |
| 10190-1 | 3" POLY CASTER W/ SPACER | 38 |
| 10190-2 | 3" POLY CASTER W/ SPACER | 38 |
| 10191-1 | 5" X 1" POLY CASTER W/ SPACER | 38 |
| 10191-2 | 5" X 1" POLY CASTER W/ SPACER | 38 |
| 10192-1 | 6" X 1" POLY CASTER W/ SPACER | 38 |

Index—Page Location by Part Number (cont.)

| ITEM # | DESCRIPTION | FOUND ON PAGE(S): |
|-----------|---------------------------------|-------------------|
| 10192-2 | 6" X 1" POLY CASTER W/ SPACER | 38 |
| 10193-1 | 6" X 1-1/2" POLY CASTER W/ SPC | 38 |
| 10193-2 | 6" X 1-1/2" POLY CASTER W/ SPC | 38 |
| 10194-1 | 6" X 2" POLY CASTER W/ SPACER | 38 |
| 10194-2 | 6" X 2" POLY CASTER W/ SPACER | 38 |
| 10195-1 | 7" X 1" POLY CASTER W/ SPACER | 38 |
| 10195-2 | 7" X 1" POLY CASTER W/ SPACER | 38 |
| 10196-1 | 5" LIGHT UP CASTER W/ SPACER | 38 |
| 10196-2 | 5" LIGHT UP CASTER W/ SPACER | 38 |
| 10620-2 | INDIV 2 PC STRLR HNDL EXT ASSY | 33 |
| 10621-1 | INDIV 2PC STRLR HNDL TUBE ONLY | 33 |
| 10622-1 | INDIV 2PC STRLR HNDL MTG TUBE | 33 |
| 10625-14 | PSH BTN ADJ STRLR HND 14-18W | 33 |
| 10625-18 | PSH BTN ADJ STRLR HND 18-22W | 33 |
| 10626-1 | REPL BTN-PSH BTN ADJ STR HNDL | 33 |
| 10627-1 | PUSH BTTN STRLR HNDL ADAPTER | 33 |
| 10630-2 | DRB RETRO KIT RIGID FRAME | 27 |
| 10631-2 | DRB RETRO KIT FOLDING FRAME | 27 |
| 10632-2 | DYNAMIC ROCKER INTERFACE BRK | 27 |
| 10633-1 | BACK CANE 90 DEG DRB SHORT 19H | 27 |
| 10633-2 | BACK CANE 90 DEG DRB SHORT 19H | 27 |
| 10634-1 | BACK CANE 90 DEG DRB MED 23H | 27 |
| 10634-2 | BACK CANE 90 DEG DRB MED 23H | 27 |
| 10635-1 | BACK CANE 90 DEG DRB TALL 26H | 27 |
| 10635-2 | BACK CANE 90 DEG DRB TALL 26H | 27 |
| 10636-1 | BACK CANE ERGO DRB SHORT 19H | 27 |
| 10636-2 | BACK CANE ERGO DRB SHORT 19H | 27 |
| 10637-1 | BACK CANE ERGO DRB MED 23H | 27 |
| 10637-2 | BACK CANE ERGO DRB MED 23H | 27 |
| 10638-1 | BACK CANE ERGO DRB TALL 26H | 27 |
| 10638-2 | BACK CANE ERGO DRB TALL 26H | 27 |
| 10716-1 | CANOPY MTG HDWE EACH | 1 |
| 10716-2 | CANOPY MTG HDWE PAIR | 1 |
| 10721-2 | FLIP BACK ARMREST ASSY 13.5" L | 5 |
| 10721-L | FLIP BACK ARMREST ASSY 13.5" R | 5 |
| 10721-P-2 | FLIP BACK ARMREST ASSY 10.5" L | 5 |
| 10721-PL | FLIP BACK ARMREST ASSY 10.5" R | 5 |
| 10721-PR | FLIP BACK ARMREST ASSY 10.5" PR | 5 |
| 10721-R | FLIP BACK ARMREST ASSY 13.5" PR | 5 |
| 10722-P | FLIP BACK ARM TUBE ONLY 10.5" | 5 |
| 10731-2 | F/BK TELE ARM 10.5-13.5" DSK L | 9 |
| 10731-L | F/BK TELE ARM 10.5-13.5" DSK R | 9 |
| 10731-R | F/BK TEL ARM 10.5-13.5" DSK PR | 9 |
| 10751-2 | LOCKING F/BCK ARM ASSY 13.5" L | 7 |
| 10751-L | LOCKING F/BCK ARM ASSY 13.5" R | 7 |
| 10751-P-2 | LOCKING F/BCK ARM ASSY 10.5" L | 7 |

Index—Page Location by Part Number (cont.)

| ITEM # | DESCRIPTION | FOUND ON PAGE(S): |
|-----------|---------------------------------|-------------------|
| 10751-PL | LOCKING F/BCK ARM ASSY 10.5" R | 7 |
| 10751-PR | LOCKING F/BCK ARM ASSY 10.5" PR | 7 |
| 10751-R | LOCKING F/BCK ARM ASSY 13.5" PR | 7 |
| 10752-2 | F/BK TELE ARM 10.5-13.5" FL L | 9 |
| 10752-L | F/BK TELE ARM 10.5-13.5" FL R | 9 |
| 10752-R | F/BK TELE ARM 10.5-13.5" FL PR | 9 |
| 10754-P | LKG F/BCK ARM TUBE ONLY 10.5" | 7 |
| 10756-2 | SNGL PST HT ADJ ARM TL DSK PR | 13 |
| 10756-L | SNGL PST HT ADJ ARM TL DSK L | 13 |
| 10756-R | SNGL PST HT ADJ ARM TL DSK R | 13 |
| 10757-2 | SNGL PST HT ADJ TL LWR ASSY PR | 13 |
| 10757-L | SNGL PST HT ADJ TL LWR ASSY L | 13 |
| 10757-R | SNGL PST HT ADJ TL LWR ASSY R | 13 |
| 10758-1 | SNGL PST HT ADJ TL UPR DESK | 13 |
| 10758-2 | SNGL PST HT ADJ TL UPR DESK | 13 |
| 10759-1 | SNGL PST HT ADJ ARM RECVR SCKT | 13, 16 |
| 10760-1 | SNGL PST HT ADJ ARM RCVR CLAMP | 13, 16 |
| 10761-1 | SNGL PST HT ADJ ARM RCVR TUBE | 13 |
| 10761-P | SNGL PST HT ADJ ARM RCVR TUBE | 16 |
| 10763-1 | SNGL PST ARM RCVR TUBE CLAMP | 13, 16 |
| 10764-1 | SNGL PST ARM FRAME REL LEVER | 13, 16 |
| 10765-2 | SNGL PST ARM HGT ADJ LEVER PR | 13, 16 |
| 10765-L | SNGL PST ARM HGT ADJ LEVER L | 13, 16 |
| 10765-R | SNGL PST ARM HGT ADJ LEVER R | 13, 16 |
| 10766-P | SGL PST ARM TRANSFER TUBE SHT | 16 |
| 10766-STD | SGL PST ARM TRANSFER TUBE STD | 13 |
| 10767-2 | SGL PST ARM SIDE PANEL STD PR | 13 |
| 10767-L | SGL PST ARM SIDE PANEL STD L | 13 |
| 10767-R | SGL PST ARM SIDE PANEL STD R | 13 |
| 10768-1 | SNGL PST ARM RCVR TUBE CAP | 13, 16 |
| 10769-1 | SNGL PST ARM HT ADJ POST STD | 13 |
| 10769-P | SNGL PST ARM HT ADJ PST SHRT | 16 |
| 10770-2 | SNGL PST HT ADJ ARM TL FL PR | 13 |
| 10770-L | SNGL PST HT ADJ ARM TL FL L | 13 |
| 10770-R | SNGL PST HT ADJ ARM TL FL R | 13 |
| 10772-1 | SNGL PST HT ADJ TL UPR FULL | 13 |
| 10772-2 | SNGL PST HT ADJ TL UPR FULL | 13 |
| 10773-1 | SNGL PST HT ADJ SHT UPR FL | 16 |
| 10773-2 | SNGL PST HT ADJ SHT UPR FL | 16 |
| 10780-2 | SNGL PST HT ADJ ARM SHT DSK PR | 16 |
| 10780-L | SNGL PST HT ADJ ARM SHT DSK L | 16 |
| 10780-R | SNGL PST HT ADJ ARM SHT DSK R | 16 |
| 10781-2 | SNGL PST HT ADJ SHT LWR ASSY PR | 16 |
| 10781-L | SNGL PST HT ADJ SHT LWR ASSY L | 16 |
| 10781-R | SNGL PST HT ADJ SHT LWR ASSY R | 16 |
| 10782-1 | SNGL PST HT ADJ SHT UPR DESK | 16 |

Index—Page Location by Part Number (cont.)

| ITEM # | DESCRIPTION | FOUND ON PAGE(S): |
|---------|--------------------------------|-------------------|
| 10782-2 | SNGL PST HT ADJ SHT UPR DESK | 16 |
| 10783-2 | SGL PST ARM SIDE PANEL SHT PR | 16 |
| 10783-L | SGL PST ARM SIDE PANEL SHT L | 16 |
| 10783-R | SGL PST ARM SIDE PANEL SHT R | 16 |
| 10784-1 | SGL PST SHRT ARM SPACER TUBE | 16 |
| 10785-1 | SNGL PST HT ADJ ARM PD TBE DSK | 13, 16 |
| 10785-2 | SNGL PST HT ADJ ARM PD TBE DSK | 13, 16 |
| 10791-1 | SNGL PST HT ADJ ARM RECVR ASSY | 16 |
| 10791-2 | SNGL PST HT ADJ ARM RECVR ASSY | 16 |
| 10792-1 | SNGL PST HT ADJ ARM PD TBE FL | 13, 16 |
| 10792-2 | SNGL PST HT ADJ ARM PD TBE FL | 13, 16 |
| 10793-1 | SNGL PST HT ADJ ARM RECVR ASSY | 13 |
| 10793-2 | SNGL PST HT ADJ ARM RECVR ASSY | 13 |
| 10794-2 | SNGL PST HT ADJ ARM SHT FL PR | 16 |
| 10794-L | SNGL PST HT ADJ ARM SHT FL L | 16 |
| 10794-R | SNGL PST HT ADJ ARM SHT FL R | 16 |
| 10911-1 | FRAME PADS - NEOPRENE | 1 |
| 10911-2 | FRAME PADS - NEOPRENE | 1 |
| 10912-1 | PUSH / STROLLER HNDL WRAP PAD | 27 |
| 11200-1 | 12" MAG WHEEL ASSY AIRLESS | 106 |
| 11200-2 | 12" MAG WHEEL ASSY AIRLESS | 106 |
| 11201-1 | 16" MAG WHEEL ASSY AIRLESS | 108 |
| 11201-2 | 16" MAG WHEEL ASSY AIRLESS | 108 |
| 11202-1 | 18" MAG WHEEL ASSY AIRLESS | 111 |
| 11202-2 | 18" MAG WHEEL ASSY AIRLESS | 111 |
| 11203-1 | 20" MAG WHEEL ASSY AIRLESS | 114 |
| 11203-2 | 20" MAG WHEEL ASSY AIRLESS | 114 |
| 11204-1 | 22" MAG WHEEL ASSY AIRLESS | 118 |
| 11204-2 | 22" MAG WHEEL ASSY AIRLESS | 118 |
| 11205-1 | 24" MAG WHEEL ASSY AIRLESS | 122 |
| 11205-2 | 24" MAG WHEEL ASSY AIRLESS | 122 |
| 11206-1 | 18" MAG WHEEL ASSY AIRLESS HR | 111 |
| 11206-2 | 18" MAG WHEEL ASSY AIRLESS HR | 111 |
| 11207-1 | 20" MAG WHEEL ASSY AIRLESS HR | 114 |
| 11207-2 | 20" MAG WHEEL ASSY AIRLESS HR | 114 |
| 11208-1 | 22" MAG WHEEL ASSY AIRLESS HR | 118 |
| 11208-2 | 22" MAG WHEEL ASSY AIRLESS HR | 118 |
| 11209-1 | 24" MAG WHEEL ASSY AIRLESS HR | 122 |
| 11209-2 | 24" MAG WHEEL ASSY AIRLESS HR | 122 |
| 11210-1 | 20" SPOKE WHL ASSY AIRLESS HR | 126 |
| 11210-2 | 20" SPOKE WHL ASSY AIRLESS HR | 126 |
| 11211-1 | 22" SPOKE WHL ASSY AIRLESS HR | 129 |
| 11211-2 | 22" SPOKE WHL ASSY AIRLESS HR | 129 |
| 11212-1 | 24" SPOKE WHL ASSY AIRLESS HR | 132 |
| 11212-2 | 24" SPOKE WHL ASSY AIRLESS HR | 132 |
| 11213-1 | 20" SPOKE WHEEL ASSY AIRLESS | 126 |

Index—Page Location by Part Number (cont.)

| ITEM # | DESCRIPTION | FOUND ON PAGE(S): |
|---------|--------------------------------|-------------------|
| 11213-2 | 20" SPOKE WHEEL ASSY AIRLESS | 126 |
| 11214-1 | 22" SPOKE WHEEL ASSY AIRLESS | 129 |
| 11214-2 | 22" SPOKE WHEEL ASSY AIRLESS | 129 |
| 11215-1 | 24" SPOKE WHEEL ASSY AIRLESS | 132 |
| 11215-2 | 24" SPOKE WHEEL ASSY AIRLESS | 132 |
| 11216-1 | 20" SPOKE WHEEL ASSY PNEU | 126 |
| 11216-2 | 20" SPOKE WHEEL ASSY PNEU | 126 |
| 11217-1 | 22" SPOKE WHEEL ASSY PNEU | 129 |
| 11217-2 | 22" SPOKE WHEEL ASSY PNEU | 129 |
| 11218-1 | 24" SPOKE WHEEL ASSY PNEU | 132 |
| 11218-2 | 24" SPOKE WHEEL ASSY PNEU | 132 |
| 11219-1 | 20" SPOKE WHEEL ASSY PNEU HR | 126 |
| 11219-2 | 20" SPOKE WHEEL ASSY PNEU HR | 126 |
| 11220-1 | 22" SPOKE WHEEL ASSY PNEU HR | 129 |
| 11220-2 | 22" SPOKE WHEEL ASSY PNEU HR | 129 |
| 11221-1 | 24" SPOKE WHEEL ASSY PNEU HR | 132 |
| 11221-2 | 24" SPOKE WHEEL ASSY PNEU HR | 132 |
| 11222-1 | 12" MAG WHEEL ASSY PNEUMATIC | 106 |
| 11222-2 | 12" MAG WHEEL ASSY PNEUMATIC | 106 |
| 11223-1 | 12" MAG WHL ASSY LOW PRO POLY | 106 |
| 11223-2 | 12" MAG WHL ASSY LOW PRO POLY | 106 |
| 11224-1 | 16" MAG WHEEL ASSY PNEUMATIC | 108 |
| 11224-2 | 16" MAG WHEEL ASSY PNEUMATIC | 108 |
| 11225-1 | 18" MAG WHEEL ASSY PNEUMATIC | 111 |
| 11225-2 | 18" MAG WHEEL ASSY PNEUMATIC | 111 |
| 11226-1 | 20" MAG WHEEL ASSY PNEUMATIC | 114 |
| 11226-2 | 20" MAG WHEEL ASSY PNEUMATIC | 114 |
| 11227-1 | 22" MAG WHEEL ASSY PNEUMATIC | 118 |
| 11227-2 | 22" MAG WHEEL ASSY PNEUMATIC | 118 |
| 11228-1 | 24" MAG WHEEL ASSY PNEUMATIC | 122 |
| 11228-2 | 24" MAG WHEEL ASSY PNEUMATIC | 122 |
| 11229-1 | 18" MAG WHEEL ASSY PNEU HR | 111 |
| 11229-2 | 18" MAG WHEEL ASSY PNEU HR | 111 |
| 11230-1 | 20" MAG WHEEL ASSY PNEU HR | 114 |
| 11230-2 | 20" MAG WHEEL ASSY PNEU HR | 114 |
| 11231-1 | 22" MAG WHEEL ASSY PNEU HR | 118 |
| 11231-2 | 22" MAG WHEEL ASSY PNEU HR | 118 |
| 11232-1 | 24" MAG WHEEL ASSY PNEU HR | 122 |
| 11232-2 | 24" MAG WHEEL ASSY PNEU HR | 122 |
| 11233-1 | 16" MAG WHEEL ASSY PNEU HR | 108 |
| 11233-2 | 16" MAG WHEEL ASSY PNEU HR | 108 |
| 11234-1 | 16" MAG WHEEL ASSY AIRLESS HR | 108 |
| 11234-2 | 16" MAG WHEEL ASSY AIRLESS HR | 108 |
| 11235-1 | 20" MAG WHL ASSY AIRLESS PL HR | 114 |
| 11235-2 | 20" MAG WHL ASSY AIRLESS PL HR | 114 |
| 11236-1 | 22" MAG WHL ASSY AIRLESS PL HR | 118 |

Index—Page Location by Part Number (cont.)

| ITEM # | DESCRIPTION | FOUND ON PAGE(S): |
|---------|--------------------------------|-------------------|
| 11236-2 | 22" MAG WHL ASSY AIRLESS PL HR | 118 |
| 11237-1 | 24" MAG WHL ASSY AIRLESS PL HR | 122 |
| 11237-2 | 24" MAG WHL ASSY AIRLESS PL HR | 122 |
| 11238-1 | 20" MAG WHL ASSY PNEU PLST HR | 114 |
| 11238-2 | 20" MAG WHL ASSY PNEU PLST HR | 114 |
| 11239-1 | 22" MAG WHL ASSY PNEU PLST HR | 118 |
| 11239-2 | 22" MAG WHL ASSY PNEU PLST HR | 118 |
| 11240-1 | 24" MAG WHL ASSY PNEU PLST HR | 122 |
| 11240-2 | 24" MAG WHL ASSY PNEU PLST HR | 122 |
| 11300-1 | 12" MAG WHEEL ASSY AIRLESS D/L | 106 |
| 11300-2 | 12" MAG WHEEL ASSY AIRLESS D/L | 106 |
| 11301-1 | 16" MAG WHEEL ASSY AIRLESS D/L | 108 |
| 11301-2 | 16" MAG WHEEL ASSY AIRLESS D/L | 108 |
| 11302-1 | 18" MAG WHEEL ASSY AIRLESS D/L | 111 |
| 11302-2 | 18" MAG WHEEL ASSY AIRLESS D/L | 111 |
| 11303-1 | 20" MAG WHEEL ASSY AIRLESS D/L | 114 |
| 11303-2 | 20" MAG WHEEL ASSY AIRLESS D/L | 114 |
| 11304-1 | 22" MAG WHEEL ASSY AIRLESS D/L | 118 |
| 11304-2 | 22" MAG WHEEL ASSY AIRLESS D/L | 118 |
| 11305-1 | 24" MAG WHEEL ASSY AIRLESS D/L | 122 |
| 11305-2 | 24" MAG WHEEL ASSY AIRLESS D/L | 122 |
| 11306-1 | 18" MAG WHL ASSY AIRLESS HR DL | 111 |
| 11306-2 | 18" MAG WHL ASSY AIRLESS HR DL | 111 |
| 11307-1 | 20" MAG WHL ASSY AIRLESS HR DL | 114 |
| 11307-2 | 20" MAG WHL ASSY AIRLESS HR DL | 114 |
| 11308-1 | 22" MAG WHL ASSY AIRLESS HR DL | 118 |
| 11308-2 | 22" MAG WHL ASSY AIRLESS HR DL | 118 |
| 11309-1 | 24" MAG WHL ASSY AIRLESS HR DL | 122 |
| 11309-2 | 24" MAG WHL ASSY AIRLESS HR DL | 122 |
| 11322-1 | 12" MAG WHEEL ASSY PNEU D/L | 106 |
| 11322-2 | 12" MAG WHEEL ASSY PNEU D/L | 106 |
| 11324-1 | 16" MAG WHEEL ASSY PNEU D/L | 108 |
| 11324-2 | 16" MAG WHEEL ASSY PNEU D/L | 108 |
| 11325-1 | 18" MAG WHEEL ASSY PNEU D/L | 111 |
| 11325-2 | 18" MAG WHEEL ASSY PNEU D/L | 111 |
| 11326-1 | 20" MAG WHEEL ASSY PNEU D/L | 114 |
| 11326-2 | 20" MAG WHEEL ASSY PNEU D/L | 114 |
| 11327-1 | 22" MAG WHEEL ASSY PNEU D/L | 118 |
| 11327-2 | 22" MAG WHEEL ASSY PNEU D/L | 118 |
| 11328-1 | 24" MAG WHEEL ASSY PNEU D/L | 122 |
| 11328-2 | 24" MAG WHEEL ASSY PNEU D/L | 122 |
| 11329-1 | 18" MAG WHEEL ASSY PNEU HR D/L | 111 |
| 11329-2 | 18" MAG WHEEL ASSY PNEU HR D/L | 111 |
| 11330-1 | 20" MAG WHEEL ASSY PNEU HR DL | 114 |
| 11330-2 | 20" MAG WHEEL ASSY PNEU HR DL | 114 |
| 11331-1 | 22" MAG WHEEL ASSY PNEU HR DL | 118 |

Index—Page Location by Part Number (cont.)

| ITEM # | DESCRIPTION | FOUND ON PAGE(S): |
|---------|--------------------------------|-------------------|
| 11331-2 | 22" MAG WHEEL ASSY PNEU HR DL | 118 |
| 11332-1 | 24" MAG WHEEL ASSY PNEU HR DL | 122 |
| 11332-2 | 24" MAG WHEEL ASSY PNEU HR DL | 122 |
| 11333-1 | 16" MAG WHEEL ASSY PNEU HR D/L | 108 |
| 11333-2 | 16" MAG WHEEL ASSY PNEU HR D/L | 108 |
| 11334-1 | 16" MAG WHL ASSY AIRLESS HR DL | 108 |
| 11334-2 | 16" MAG WHL ASSY AIRLESS HR DL | 108 |
| 11335-1 | 20" MAG WHL ASSY AIRLS P HR DL | 114 |
| 11335-2 | 20" MAG WHL ASSY AIRLS P HR DL | 114 |
| 11336-1 | 22" MAG WHL ASSY AIRLS P HR DL | 118 |
| 11336-2 | 22" MAG WHL ASSY AIRLS P HR DL | 118 |
| 11337-1 | 24" MAG WHL ASSY AIRLS P HR DL | 122 |
| 11337-2 | 24" MAG WHL ASSY AIRLS P HR DL | 122 |
| 11338-1 | 20" MAG WHL ASSY PNEU PL HR DL | 114 |
| 11338-2 | 20" MAG WHL ASSY PNEU PL HR DL | 114 |
| 11339-1 | 22" MAG WHL ASSY PNEU PL HR DL | 118 |
| 11339-2 | 22" MAG WHL ASSY PNEU PL HR DL | 118 |
| 11340-1 | 24" MAG WHL ASSY PNEU PL HR DL | 122 |
| 11340-2 | 24" MAG WHL ASSY PNEU PL HR DL | 122 |
| 13015-1 | HANGER SUPPORT-POP-UP | 70 |
| 13015-2 | HANGER SUPPORT-POP-UP | 70 |
| 13016-1 | POP-UP HANGER LATCH PISTON | 70 |
| 13017-1 | POP UP SPRING 75° HANGER | 70 |
| 13018-1 | POP UP SPRING 90° HANGER | 70 |
| 13019-1 | HANGER RELEASE LEVER POP-UP | 70 |
| 13200-1 | BK PST STD 90 DEG BND SHT 19" | 25 |
| 13200-2 | BK PST STD 90 DEG BND SHT 19" | 25 |
| 13201-1 | BK PST STD 90 DEG BND MED 23" | 25 |
| 13201-2 | BK PST STD 90 DEG BND MED 23" | 25 |
| 13202-1 | BK PST STD 90 DEG BND TL 26" | 25 |
| 13202-2 | BK PST STD 90 DEG BND TL 26" | 25 |
| 13203-1 | BK PST ERGO BND SHORT 19" | 25 |
| 13203-2 | BK PST ERGO BND SHORT 19" | 25 |
| 13204-1 | BK PST ERGO BND MED 23" | 25 |
| 13204-2 | BK PST ERGO BND MED 23" | 25 |
| 13205-1 | BK PST ERGO BND TALL 26" | 25 |
| 13205-2 | BK PST ERGO BND TALL 26" | 25 |
| 14173-1 | ELR HANGER LOWER MOUNT TUBE | 74 |
| 14173-2 | ELR HANGER LOWER MOUNT TUBE | 74 |
| 14180-2 | ELR ASSY W/O PAD & FTPLT PR | 74 |
| 14180-L | ELR ASSY W/O PAD & FTPLT L | 74 |
| 14180-R | ELR ASSY W/O PAD & FTPLT R | 74 |
| 14181-2 | ELR ASSY W/ PAD - W/O FTPLT PR | 74 |
| 14181-L | ELR ASSY W/ PAD - W/O FTPLT L | 74 |
| 14181-R | ELR ASSY W/ PAD - W/O FTPLT R | 74 |
| 14182-2 | ELR ASSY W/ PAD FTPLT 10-11 PR | 74 |

Index—Page Location by Part Number (cont.)

| ITEM # | DESCRIPTION | FOUND ON PAGE(S): |
|---------|---------------------------------|-------------------|
| 14182-L | ELR ASSY W/ PAD FTPLT 10-11 L | 74 |
| 14182-R | ELR ASSY W/ PAD FTPLT 10-11 R | 74 |
| 14183-2 | ELR ASSY W/ PAD FTPLT 12-13 PR | 74 |
| 14183-L | ELR ASSY W/ PAD FTPLT 12-13 L | 74 |
| 14183-R | ELR ASSY W/ PAD FTPLT 12-13 R | 74 |
| 14184-2 | ELR ASSY W/ PAD FTPLT 14-15 PR | 74 |
| 14184-L | ELR ASSY W/ PAD FTPLT 14-15 L | 74 |
| 14184-R | ELR ASSY W/ PAD FTPLT 14-15 R | 74 |
| 14185-2 | ELR ASSY W/ PAD FTPLT 16-17 PR | 74 |
| 14185-L | ELR ASSY W/ PAD FTPLT 16-17 L | 74 |
| 14185-R | ELR ASSY W/ PAD FTPLT 16-17 R | 74 |
| 14186-2 | ELR ASSY W/ PAD FTPLT 18-20 PR | 74 |
| 14186-L | ELR ASSY W/ PAD FTPLT 18-20 L | 74 |
| 14186-R | ELR ASSY W/ PAD FTPLT 18-20 R | 74 |
| 14190-2 | ELR LOCKING MECHANISM PR | 74 |
| 14190-L | ELR LOCKING MECHANISM L | 74 |
| 14190-R | ELR LOCKING MECHANISM R | 74 |
| 14191-1 | ELR CALF PAD ANGLE STOP | 74 |
| 14192-1 | ELR PIVOT INSERT SLEEVE | 74 |
| 14193-4 | ELR PIVOT INSERT BUSHING | 74 |
| 14194-1 | ELR CALF PAD MTG BRKT | 74 |
| 14209-1 | ELR CALF PAD MOUNT PLATE | 74 |
| 14211-1 | ELR HANGER UPPER WELDMENT | 74 |
| 14211-2 | ELR HANGER UPPER WELDMENT | 74 |
| 14410-1 | ELR CALF PAD - BLACK 10-11W | 74 |
| 14410-2 | ELR CALF PAD - BLACK 10-11W | 74 |
| 14411-1 | ELR CALF PAD - BLACK 12-13W | 74 |
| 14411-2 | ELR CALF PAD - BLACK 12-13W | 74 |
| 14412-1 | ELR CALF PAD - BLACK 14-15W | 74 |
| 14412-2 | ELR CALF PAD - BLACK 14-15W | 74 |
| 14413-1 | ELR CALF PAD - BLACK 16-17W | 74 |
| 14413-2 | ELR CALF PAD - BLACK 16-17W | 74 |
| 14414-1 | ELR CALF PAD - BLACK 18-20W | 74 |
| 14414-2 | ELR CALF PAD - BLACK 18-20W | 74 |
| 16049-1 | RIGIDIZING BKRST BAR MNT FITNG | 25 |
| 17050-M | RIGIDIZING ASSEMBLY - 12-16W | 25, 27 |
| 17050-N | RIGIDIZING ASSEMBLY - 10-14W | 25, 27 |
| 17050-W | RIGIDIZING ASSEMBLY - 14-18W | 25, 27 |
| 17050-X | RIGIDIZING ASSEMBLY - 18-22W | 25, 27 |
| 17051-M | RIGIDIZING CENTER TUBE - 12-16W | 25 |
| 17051-N | RIGIDIZING CENTER TUBE- 10-14W | 25 |
| 17051-W | RIGIDIZING CENTER TUBE - 14-18W | 25 |
| 17051-X | RIGIDIZING CENTER TUBE - 18-22W | 25 |
| 17054-1 | RIGIDIZER SIDE TUBE | 25 |
| 18000-2 | NXT AXLE PLATE WELDED PR | 23 |
| 18000-L | NXT AXLE PLATE WELDED L | 23 |

Index—Page Location by Part Number (cont.)

| ITEM # | DESCRIPTION | FOUND ON PAGE(S): |
|----------|--------------------------------|-------------------|
| 18000-R | NXT AXLE PLATE WELDED R | 23 |
| 18001-2 | NXT AXLE PLATE ASSY COMPL PR | 23 |
| 18001-L | NXT AXLE PLATE ASSY COMPL L | 23 |
| 18001-R | NXT AXLE PLATE ASSY COMPL R | 23 |
| 18002-1 | NXT AXLE PLATE MTG BRKT | 23, 101, 104 |
| 18003-1 | NXT AXLE PLATE MTG BRKT CLMP | 23, 101, 104 |
| 18004-1 | BACK CANE RECEIVER BRACKET | 25 |
| 18004-2 | BACK CANE RECEIVER BRACKET | 25 |
| 18005-1 | BACK CANE RECEIVER ASSEMBLY | 25 |
| 18005-2 | BACK CANE RECEIVER ASSEMBLY | 25 |
| 18016-1 | CROSS BRACE TUBE 10-12" W NXT | 41 |
| 18017-1 | CROSS BRACE TUBE 11-13" W NXT | 41 |
| 18018-1 | CROSS BRACE TUBE 12-14" W NXT | 41 |
| 18019-1 | CROSS BRACE TUBE 13-15" W NXT | 41 |
| 18020-1 | CROSS BRACE TUBE 14-16" W NXT | 41 |
| 18021-1 | CROSS BRACE TUBE 15-17" W NXT | 41 |
| 18022-1 | CROSS BRACE TUBE 16-18" W NXT | 41 |
| 18023-1 | CROSS BRACE TUBE 17-18" W NXT | 41 |
| 18024-1 | CROSS BRACE TUBE 18" W NXT | 41 |
| 18025-1 | CROSS BRACE TUBE 19" W NXT | 41 |
| 18026-1 | CROSS BRACE TUBE 20" W NXT | 41 |
| 18027-1 | PIVOT HINGE ASSEMBLY NXT | 41 |
| 18027-2 | PIVOT HINGE ASSEMBLY NXT | 41 |
| 18028-10 | CROSS BRACE ARM 10-13W NXT | 41 |
| 18028-11 | CROSS BRACE ARM 11-13W NXT | 41 |
| 18028-12 | CROSS BRACE ARM 12-14W NXT | 41 |
| 18028-13 | CROSS BRACE ARM 13-15W NXT | 41 |
| 18028-14 | CROSS BRACE ARM 14-16W NXT | 41 |
| 18028-15 | CROSS BRACE ARM 15-17W NXT | 41 |
| 18028-16 | CROSS BRACE ARM 16-18W NXT | 41 |
| 18028-17 | CROSS BRACE ARM 17-18W NXT | 41 |
| 18028-18 | CROSS BRACE ARM 18W NXT | 41 |
| 18028-19 | CROSS BRACE ARM 19W NXT | 41 |
| 18028-20 | CROSS BRACE ARM 20W NXT | 41 |
| 18029-1 | CROSS BRACE STOP NXT | 41 |
| 18030-1 | CROSS BRACE FOLDING STRAP NXT | 41 |
| 18031-4 | PLASTIC SPACER ROUND 1/4" | 41 |
| 18032-4 | PLASTIC BUSHING 1/4" ID | 41 |
| 18033-1 | UPR SDE FRM CROSS BRCE MNT NXT | 41 |
| 18033-2 | UPR SDE FRM CROSS BRCE MNT NXT | 41 |
| 18040-2 | ANG ADJ FL FTPLT ASSY 10-11W | 49 |
| 18040-L | ANG ADJ FL FTPLT ASSY 10-11W L | 49 |
| 18040-R | ANG ADJ FL FTPLT ASSY 10-11W R | 49 |
| 18041-2 | ANG ADJ FL FTPLT ASSY 12-13W | 49 |
| 18041-L | ANG ADJ FL FTPLT ASSY 12-13W L | 49 |
| 18041-R | ANG ADJ FL FTPLT ASSY 12-13W R | 49 |

Index—Page Location by Part Number (cont.)

| ITEM # | DESCRIPTION | FOUND ON PAGE(S): |
|---------|--------------------------------|-------------------|
| 18042-2 | ANG ADJ FL FTPLT ASSY 14-15W | 49 |
| 18042-L | ANG ADJ FL FTPLT ASSY 14-15W L | 49 |
| 18042-R | ANG ADJ FL FTPLT ASSY 14-15W R | 49 |
| 18043-2 | ANG ADJ FL FTPLT ASSY 16-17W | 49 |
| 18043-L | ANG ADJ FL FTPLT ASSY 16-17W L | 49 |
| 18043-R | ANG ADJ FL FTPLT ASSY 16-17W R | 49 |
| 18044-2 | ANG ADJ FL FTPLT ASSY 18-20W | 49 |
| 18044-L | ANG ADJ FL FTPLT ASSY 18-20W L | 49 |
| 18044-R | ANG ADJ FL FTPLT ASSY 18-20W R | 49 |
| 18047-2 | ANG ADJ FTPLT PIVOT ARM ASSY | 49 |
| 18047-L | ANG ADJ FTPLT PIVOT ARM ASSY R | 49 |
| 18047-R | ANG ADJ FTPLT PIVOT ARM ASSY R | 49 |
| 18048-L | ANG ADJ FTPLT PIVOT ARM ONLY L | 49 |
| 18048-R | ANG ADJ FTPLT PIVOT ARM ONLY R | 49 |
| 18050-2 | NXT ANTI-TIP/CURB ASST ASSY PR | 3 |
| 18050-L | NXT ANTI-TIP/CURB ASST ASSY L | 3 |
| 18050-R | NXT ANTI-TIP/CURB ASST ASSY R | 3 |
| 18051-1 | NXT ANTI TIP LEVER - STD | 3 |
| 18052-1 | NXT ANTI TIP TUBE CURB ASSIST | 3 |
| 18055-2 | NXT ANTI-TIP ASSY STD PR | 3 |
| 18055-L | NXT ANTI-TIP ASSY STD L | 3 |
| 18055-R | NXT ANTI-TIP ASSY STD R | 3 |
| 18061-1 | NXT SEAT RAIL EXTENSION-2" | 59 |
| 18061-2 | NXT SEAT RAIL EXTENSION-2" | 59 |
| 18062-1 | NXT SEAT RAIL EXTENSION -3" | 59 |
| 18062-2 | NXT SEAT RAIL EXTENSION -3" | 59 |
| 18063-1 | NXT SEAT RAIL EXTENSION -4" | 59 |
| 18063-2 | NXT SEAT RAIL EXTENSION -4" | 59 |
| 18064-1 | HANGER SPRT S/A LATCH BLOCK | 66 |
| 18064-2 | HANGER SPRT S/A LATCH BLOCK | 66 |
| 18067-1 | HANGER SPRT S/A LATCH STYLE | 66 |
| 18067-2 | HANGER SPRT S/A LATCH STYLE | 66 |
| 18068-1 | HANGER SPRT S/A LATCH POST | 66 |
| 18068-2 | HANGER SPRT S/A LATCH POST | 66 |
| 18070-2 | RETRO KIT POP-UP TO LATCH 75 | 66 |
| 18070-L | RETRO KIT POP-UP TO LATCH 75 L | 66 |
| 18070-R | RETRO KIT POP-UP TO LATCH 75 R | 66 |
| 18071-2 | RETRO KIT POP-UP TO LATCH 90 | 66 |
| 18071-L | RETRO KIT POP-UP TO LATCH 90 L | 66 |
| 18071-R | RETRO KIT POP-UP TO LATCH 90 R | 66 |
| 18073-2 | HANGER ASSY 90 DEG S/A LATCH | 68 |
| 18073-L | HANGER ASSY 90 DEG S/A LATCH L | 68 |
| 18073-R | HANGER ASSY 90 DEG S/A LATCH R | 68 |
| 18074-2 | HANGER ASSY 75 DEG S/A LATCH | 68 |
| 18074-L | HANGER ASSY 75 DEG S/A LATCH L | 68 |
| 18074-R | HANGER ASSY 75 DEG S/A LATCH R | 68 |

Index—Page Location by Part Number (cont.)

| ITEM # | DESCRIPTION | FOUND ON PAGE(S): |
|---------|--------------------------------|-------------------|
| 18075-2 | HANGER TUBE 90 DEG S/A LATCH | 68 |
| 18075-L | HANGER TUBE 90 DEG S/A LATCH L | 68 |
| 18075-R | HANGER TUBE 90 DEG S/A LATCH R | 68 |
| 18076-2 | HANGER TUBE 75 DEG S/A LATCH | 68 |
| 18076-L | HANGER TUBE 75 DEG S/A LATCH L | 68 |
| 18076-R | HANGER TUBE 75 DEG S/A LATCH R | 68 |
| 18077-2 | HANGER LATCH ASSY S/A 90/75 PR | 68 |
| 18077-L | HANGER LATCH ASSY S/A 90/75 L | 68 |
| 18077-R | HANGER LATCH ASSY S/A 90/75 R | 68 |
| 18079-1 | HANGER PIVOT INSERT - LATCH | 68 |
| 18080-1 | HANGER LATCH MOLDED BASE | 68 |
| 18080-2 | HANGER LATCH MOLDED BASE | 68 |
| 18081-1 | HANGER LATCH PAWL SET | 68 |
| 18082-1 | HANGER LATCH RELEASE SPRING | 68 |
| 18083-2 | HANGER LATCH RELEASE LEVER | 68 |
| 18083-L | HANGER LATCH RELEASE LEVER L | 68 |
| 18083-R | HANGER LATCH RELEASE LEVER R | 68 |
| 18084-1 | HANGER LATCH LEVER BUSHING | 68 |
| 18085-2 | POP-UP HNGR HDWE ASSY 75/ELR | 70, 74 |
| 18085-L | POP-UP HNGR HDWE ASSY 75/ELR L | 70, 74 |
| 18085-R | POP-UP HNGR HDWE ASSY 75/ELR R | 70, 74 |
| 18086-2 | POP-UP HNGR HDWE ASSY 90 PR | 70 |
| 18086-L | POP-UP HNGR HDWE ASSY 90 L | 70 |
| 18086-R | POP-UP HNGR HDWE ASSY 90 R | 70 |
| 18087-1 | DUAL POST REAR ARM RECEIVER | 19 |
| 18087-2 | DUAL POST REAR ARM RECEIVER | 19 |
| 18088-2 | FOOT ACTIV TILT ASSY COMP NXT | 87 |
| 18089-2 | SNGLE HAND ACTIV TILT ASSY NXT | 89 |
| 18090-2 | DUAL HAND ACTIV TILT ASSY NXT | 91 |
| 18091-2 | TILT MECH LOCK ONLY - NXT PR | 87, 89, 91 |
| 18091-L | TILT MECH LOCK ONLY - NXT L | 87, 89, 91 |
| 18091-R | TILT MECH LOCK ONLY - NXT R | 87, 89, 91 |
| 18092-2 | MECH LOCK MTG BRKT LWR NXT | 87, 89, 91 |
| 18092-L | MECH LOCK MTG BRKT LWR NXT L | 87, 89, 91 |
| 18092-R | MECH LOCK MTG BRKT LWR NXT R | 87, 89, 91 |
| 18094-1 | FOOT ACT TILT PEDAL CABLE 15" | 87 |
| 18095-1 | TILT CABLE JUNCTION BLK NXT | 87, 89 |
| 18096-1 | FOOT TILT PEDAL BODY NXT | 87 |
| 18097-1 | NXT TILT RELEASE PEDAL ONLY | 87 |
| 18098-1 | TILT CABLE ADJ END FITTING | 87, 89 |
| 18099-1 | FOOT ACTIV TILT PEDAL ASSY | 87 |
| 18100-1 | NXT HAND TILT CABLE ASSY | 89, 91 |
| 18101-2 | DL PST FX HT ARM DSK CMPL PR | 19 |
| 18101-L | DL PST FX HT ARM DSK CMPL L | 19 |
| 18101-R | DL PST FX HT ARM DSK CMPL R | 19 |
| 18102-2 | DL PST FX HT ARM DSK CMPL PR | 19 |

Index—Page Location by Part Number (cont.)

| ITEM # | DESCRIPTION | FOUND ON PAGE(S): |
|----------|--------------------------------|-------------------|
| 18102-L | DL PST FX HT ARM FL CMPL L | 19 |
| 18102-R | DL PST FX HT ARM FL CMPL R | 19 |
| 18103-2 | DUAL POST FXD HT DESK ARM PR | 19 |
| 18103-L | DUAL POST FXD HT DESK ARM L | 19 |
| 18103-R | DUAL POST FXD HT DESK ARM R | 19 |
| 18104-2 | DUAL POST FXD HT FULL ARM PR | 19 |
| 18104-L | DUAL POST FXD HT FULL ARM L | 19 |
| 18104-R | DUAL POST FXD HT FULL ARM R | 19 |
| 18105-1 | DUAL POST ARM TUBE DESK | 19 |
| 18105-2 | DUAL POST ARM TUBE DESK PAIR | 19 |
| 18106-1 | DUAL POST ARM TUBE FL | 19 |
| 18106-2 | DUAL POST ARM TUBE FL PR | 19 |
| 18107-2 | DUAL POST ARM FRNT RECEIVER PR | 19, 21 |
| 18107-L | DUAL POST ARM FRNT RECEIVER L | 19, 21 |
| 18107-R | DUAL POST ARM FRNT RECEIVER R | 19, 21 |
| 18108-2 | DUAL PST ARM RCVRS FRT/RR PR | 19 |
| 18108-L | DUAL PST ARM RCVRS FRT/RR L | 19 |
| 18108-R | DUAL PST ARM RCVRS FRT/RR R | 19 |
| 18110-10 | STRLR HNDL EXT ADJ /REM 10-12W | 33 |
| 18110-11 | STRLR HNDL EXT ADJ /REM 11-13W | 33 |
| 18110-12 | STRLR HNDL EXT ADJ /REM 12-14W | 33 |
| 18110-13 | STRLR HNDL EXT ADJ /REM 13-15W | 33 |
| 18110-14 | STRLR HNDL EXT ADJ /REM 14-16W | 33 |
| 18110-15 | STRLR HNDL EXT ADJ /REM 15-17W | 33 |
| 18110-16 | STRLR HNDL EXT ADJ /REM 16-18W | 33 |
| 18110-18 | STRLR HNDL EXT ADJ /REM 18W | 33 |
| 18110-19 | STRLR HNDL EXT ADJ /REM 19W | 33 |
| 18110-20 | STRLR HNDL EXT ADJ /REM 20W | 33 |
| 18111-10 | PSH HNDL EXT ADJ / REM 10-12W | 27, 33 |
| 18111-11 | PSH HNDL EXT ADJ / REM 11-13W | 27, 33 |
| 18111-12 | PSH HNDL EXT ADJ / REM 12-14W | 27, 33 |
| 18111-13 | PSH HNDL EXT ADJ / REM 13-15W | 27, 33 |
| 18111-14 | PSH HNDL EXT ADJ / REM 14-16W | 27, 33 |
| 18111-15 | PSH HNDL EXT ADJ / REM 15-17W | 27, 33 |
| 18111-16 | PSH HNDL EXT ADJ / REM 16-18W | 27, 33 |
| 18111-18 | PSH HNDL EXT ADJ / REM 18W | 27, 33 |
| 18111-19 | PSH HNDL EXT ADJ / REM 19W | 27, 33 |
| 18111-20 | PSH HNDL EXT ADJ / REM 20W | 27, 33 |
| 18113-2 | DL PST ADJ HGT F/U DSK CMPL PR | 21 |
| 18113-L | DL PST ADJ HGT F/U DSK CMPL L | 21 |
| 18113-R | DL PST ADJ HGT F/U DSK CMPL R | 21 |
| 18114-2 | DL PST ADJ HGT F/U FL CMPL PR | 21 |
| 18114-L | DL PST ADJ HGT F/U FL CMPL L | 21 |
| 18114-R | DL PST ADJ HGT F/U FL CMPL R | 21 |
| 18115-2 | DL PST ADJ HGT F/U DSK ASSY PR | 21 |
| 18115-L | DL PST ADJ HGT F/U DSK ASSY L | 21 |

Index—Page Location by Part Number (cont.)

| ITEM # | DESCRIPTION | NOTES: |
|---------|--------------------------------|--------|
| 18115-R | DL PST ADJ HGT F/U DSK ASSY R | 21 |
| 18116-2 | DL PST ADJ HGT F/U FL ASSY PR | 21 |
| 18116-L | DL PST ADJ HGT F/U FL ASSY L | 21 |
| 18116-R | DL PST ADJ HGT F/U FL ASSY R | 21 |
| 18117-1 | DL PST ADJ HGT UPR TUBE DSK | 21 |
| 18117-2 | DL PST ADJ HGT UPR TUBE DSK | 21 |
| 18118-1 | DL PST ADJ HGT UPR TUBE FL | 21 |
| 18118-2 | DL PST ADJ HGT UPR TUBE FL PR | 21 |
| 18119-2 | DL PST ADJ HGT LWR ASSY PR | 21 |
| 18119-L | DL PST ADJ HGT LWR ASSY L | 21 |
| 18119-R | DL PST ADJ HGT LWR ASSY R | 21 |
| 18120-1 | DL PST F/U ARM RR RCVR SOCKET | 21 |
| 18120-2 | DL PST F/U ARM RR RCVR SOCKET | 21 |
| 18121-2 | DL PST F/U RR RCVR MTG PLT PR | 21 |
| 18121-L | DL PST F/U RR RCVR MTG PLT L | 21 |
| 18121-R | DL PST F/U RR RCVR MTG PLT R | 21 |
| 18122-1 | DETENT PIN WITH LANYARD | 21 |
| 18123-2 | DL PST F/U ARM RCVR ASSY RR PR | 21 |
| 18123-L | DL PST F/U ARM RCVR ASSY RR L | 21 |
| 18123-R | DL PST F/U ARM RCVR ASSY RR R | 21 |
| 18124-2 | DL PST F/U ARM RCVRS FR/RR PR | 21 |
| 18124-L | DL PST F/U ARM RCVRS FRT/ RR L | 21 |
| 18124-R | DL PST F/U ARM RCVRS FRT/ RR R | 21 |
| 18130-2 | RETRO KIT LATCH TO POP-UP 75 | 70 |
| 18130-L | RETRO KIT LATCH TO POP-UP 75 L | 70 |
| 18130-R | RETRO KIT LATCH TO POP-UP 75 R | 70 |
| 18131-2 | RETRO KIT LATCH TO POP-UP 90 | 70 |
| 18131-L | RETRO KIT LATCH TO POP-UP 90 L | 70 |
| 18131-R | RETRO KIT LATCH TO POP-UP 90 R | 70 |
| 18135-1 | HIGH MOUNT - TUBE & CLAMP STYL | 57 |
| 18135-2 | HIGH MOUNT - TUBE & CLAMP STYL | 57 |
| 18136-2 | HIGH MOUNT BRKT 90 POP-UP PR | 57 |
| 18136-L | HIGH MOUNT BRKT 90 POP-UP L | 57 |
| 18136-R | HIGH MOUNT BRKT 90 POP-UP R | 57 |
| 18137-1 | HIGH MOUNT BRACKET BASE | 57 |
| 18138-1 | HIGH MOUNT BRKT SWIVEL BAR | 57 |
| 18139-1 | HIGH MOUNT TUBE ONLY | 57 |
| 18139-2 | HIGH MOUNT TUBE ONLY | 57 |
| 18140-2 | LKG F/BK TEL ARM 10.5-13.5 D L | 11 |
| 18140-L | LKG F/BK TEL ARM 10.5-13.5 D R | 11 |
| 18140-R | LK F/BK TEL ARM 10.5-13.5 D PR | 11 |
| 18141-1 | LCKNG TLSCPNG ARM REAR ASSY | 11 |
| 18142-1 | ADJUST LCKG ARMST TUBE DESK | 9, 11 |
| 18143-2 | LKG F/BK TEL ARM 10.5-13.5 F L | 11 |
| 18143-L | LKG F/BK TEL ARM 10.5-13.5 F R | 11 |
| 18143-R | LK F/BK TEL ARM 10.5-13.5 F PR | 11 |

Index—Page Location by Part Number (cont.)

| ITEM # | DESCRIPTION | NOTES: |
|----------|--------------------------------|------------|
| 18144-1 | F/BK TELES ARM TUBE REAR | 9 |
| 18145-1 | ADJUST LCKG ARMST TUBE FULL | 9, 11 |
| 18146-1 | ADJUST LCKG ARMST TUBE 17-20 | 11 |
| 18147-2 | LKG F/BK TELE ARM 17-20" L | 11 |
| 18147-L | LKG F/BK TELE ARM 17-20" R | 11 |
| 18147-R | LKG F/BK TELE ARM 17-20" PR | 11 |
| 18150-2 | MECH LOCK MTG BRKT UPR NXT | 87, 89, 91 |
| 18150-L | MECH LOCK MTG BRKT UPR NXT L | 87, 89, 91 |
| 18150-R | MECH LOCK MTG BRKT UPR NXT R | 87, 89, 91 |
| 18151-1 | FT ACTIV TILT MECH CABLE 10" | 87, 89 |
| 18152-1 | FT ACTIV TILT MECH CABLE 15" | 87, 89 |
| 18153-1 | FT ACTIV TILT MECH CABLE 20" | 87, 89 |
| 18154-1 | FT ACTIV TILT MECH CABLE 25" | 87, 89 |
| 18155-1 | FT ACTIV TILT MECH CABLE 30" | 87, 89 |
| 18160-1 | CROSS BRACE ASSY 10-12W NXT | 41 |
| 18160-FP | CROSS BRACE ASSY 10-12W NXT FP | 41 |
| 18161-1 | CROSS BRACE ASSY 11-13W NXT | 41 |
| 18161-FP | CROSS BRACE ASSY 11-13W NXT FP | 41 |
| 18162-1 | CROSS BRACE ASSY 12-14W NXT | 41 |
| 18162-FP | CROSS BRACE ASSY 12-14W NXT FP | 41 |
| 18163-1 | CROSS BRACE ASSY 13-15W NXT | 41 |
| 18163-FP | CROSS BRACE ASSY 13-15W NXT FP | 41 |
| 18164-1 | CROSS BRACE ASSY 14-16W NXT | 41 |
| 18164-FP | CROSS BRACE ASSY 14-16W NXT FP | 41 |
| 18165-1 | CROSS BRACE ASSY 15-17W NXT | 41 |
| 18165-FP | CROSS BRACE ASSY 15-17W NXT FP | 41 |
| 18166-1 | CROSS BRACE ASSY 16-18W NXT | 41 |
| 18166-FP | CROSS BRACE ASSY 16-18W NXT FP | 41 |
| 18167-1 | CROSS BRACE ASSY 17-18W NXT | 41 |
| 18167-FP | CROSS BRACE ASSY 17-18W NXT FP | 41 |
| 18168-1 | CROSS BRACE ASSY 18W NXT | 41 |
| 18168-FP | CROSS BRACE ASSY 18W NXT FP | 41 |
| 18169-1 | CROSS BRACE ASSY 19W NXT | 41 |
| 18169-FP | CROSS BRACE ASSY 19W NXT FP | 41 |
| 18170-1 | CROSS BRACE ASSY 20W NXT | 41 |
| 18170-FP | CROSS BRACE ASSY 20W NXT FP | 41 |
| 18180-1 | RIGID CRS TBE ASSY 10-12W NXT | 45 |
| 18180-FP | RGD CRS TBE ASSY 10-12W NXT FP | 45 |
| 18181-1 | RIGID CRS TBE ASSY 11-13W NXT | 45 |
| 18181-FP | RGD CRS TBE ASSY 11-13W NXT FP | 45 |
| 18182-1 | RIGID CRS TBE ASSY 12-14W NXT | 45 |
| 18182-FP | RGD CRS TBE ASSY 12-14W NXT FP | 45 |
| 18183-1 | RIGID CRS TBE ASSY 13-15W NXT | 45 |
| 18183-FP | RGD CRS TBE ASSY 13-15W NXT FP | 45 |
| 18184-1 | RIGID CRS TBE ASSY 14-16W NXT | 45 |
| 18184-FP | RGD CRS TBE ASSY 14-16W NXT FP | 45 |

Index—Page Location by Part Number (cont.)

| ITEM # | DESCRIPTION | FOUND ON PAGE(S): |
|----------|--------------------------------|-------------------|
| 18185-1 | RIGID CRS TBE ASSY 15-17W NXT | 45 |
| 18185-FP | RGD CRS TBE ASSY 15-17W NXT FP | 45 |
| 18186-1 | RIGID CRS TBE ASSY 16-18W NXT | 45 |
| 18186-FP | RGD CRS TBE ASSY 16-18W NXT FP | 45 |
| 18187-1 | RIGID CRS TBE ASSY 17-18W NXT | 45 |
| 18187-FP | RGD CRS TBE ASSY 17-18W NXT FP | 45 |
| 18188-1 | RIGID CROSS TUBE ASSY 18W NXT | 45 |
| 18188-FP | RIGID CRS TBE ASSY 18W NXT FP | 45 |
| 18189-1 | RIGID CROSS TUBE ASSY 19W NXT | 45 |
| 18189-FP | RIGID CRS TBE ASSY 19W NXT FP | 45 |
| 18190-1 | RIGID CROSS TUBE ASSY 20W NXT | 45 |
| 18190-FP | RIGID CRS TBE ASSY 20W NXT FP | 45 |
| 18200-1 | RIGID CRS TUBE ONLY 10-12W NXT | 45 |
| 18201-1 | RIGID CRS TUBE ONLY 11-13W NXT | 45 |
| 18202-1 | RIGID CRS TUBE ONLY 12-14W NXT | 45 |
| 18203-1 | RIGID CRS TUBE ONLY 13-15W NXT | 45 |
| 18204-1 | RIGID CRS TUBE ONLY 14-16W NXT | 45 |
| 18205-1 | RIGID CRS TUBE ONLY 15-17W NXT | 45 |
| 18206-1 | RIGID CRS TUBE ONLY 16-18W NXT | 45 |
| 18207-1 | RIGID CRS TUBE ONLY 17-18W NXT | 45 |
| 18208-1 | RIGID CROSS TUBE ONLY 18W NXT | 45 |
| 18209-1 | RIGID CROSS TUBE ONLY 19W NXT | 45 |
| 18210-1 | RIGID CROSS TUBE ONLY 20W NXT | 45 |
| 18220-1 | RIGID CROSS TUBE HDWE KIT NXT | 45 |
| 18223-1 | RIGID CROSS TBE CNTOUR FITTING | 45 |
| 18225-1 | RIGID FRAME SPACER SLEEVE NXT | 45 |
| 18243-2 | MAPS FOOTPLATE ASSY 10-11W PR | 51 |
| 18243-L | MAPS FOOTPLATE ASSY 10-11W L | 51 |
| 18243-R | MAPS FOOTPLATE ASSY 10-11W R | 51 |
| 18244-2 | MAPS FOOTPLATE ASSY 12-13W PR | 51 |
| 18244-L | MAPS FOOTPLATE ASSY 12-13W L | 51 |
| 18244-R | MAPS FOOTPLATE ASSY 12-13W R | 51 |
| 18245-2 | MAPS FOOTPLATE ASSY 14-15W PR | 51 |
| 18245-L | MAPS FOOTPLATE ASSY 14-15W L | 51 |
| 18245-R | MAPS FOOTPLATE ASSY 14-15W R | 51 |
| 18246-2 | MAPS FOOTPLATE ASSY 16-17W PR | 51 |
| 18246-L | MAPS FOOTPLATE ASSY 16-17W L | 51 |
| 18246-R | MAPS FOOTPLATE ASSY 16-17W R | 51 |
| 18247-2 | MAPS FOOTPLATE ASSY 18-20W PR | 51 |
| 18247-L | MAPS FOOTPLATE ASSY 18-20W L | 51 |
| 18247-R | MAPS FOOTPLATE ASSY 18-20W R | 51 |
| 18250-1 | MAPS ASSY ONLY - NO FOOTPLATE | 51 |
| 18250-2 | MAPS ASSY ONLY - NO FOOTPLATE | 51 |
| 18251-1 | MAPS BALL PIVOT HANGER MOUNT | 51 |
| 18252-1 | MAPS BALL PIVOT | 51 |
| 18253-1 | MAPS BALL BASE | 51 |

Index—Page Location by Part Number (cont.)

| ITEM # | DESCRIPTION | FOUND ON PAGE(S): |
|---------|--------------------------------|-------------------|
| 18254-1 | MAPS MOUNTING PLATE | 51 |
| 18257-2 | SEAT RAIL STD SHORT NXT L | 59 |
| 18257-L | SEAT RAIL STD SHORT NXT L | 59 |
| 18257-R | SEAT RAIL STD SHORT NXT L | 59 |
| 18258-2 | SEAT RAIL STD MEDIUM NXT L | 59 |
| 18258-L | SEAT RAIL STD MEDIUM NXT L | 59 |
| 18258-R | SEAT RAIL STD MEDIUM NXT L | 59 |
| 18259-2 | SEAT RAIL STD LONG NXT L | 59 |
| 18259-L | SEAT RAIL STD LONG NXT L | 59 |
| 18259-R | SEAT RAIL STD LONG NXT L | 59 |
| 18260-2 | LEAF SEAT RAIL ASSY SHT NXT PR | 62 |
| 18260-L | LEAF SEAT RAIL ASSY SHT NXT L | 62 |
| 18260-R | LEAF SEAT RAIL ASSY SHT NXT R | 62 |
| 18261-2 | LEAF SEAT RAIL ASSY MED NXT PR | 62 |
| 18261-L | LEAF SEAT RAIL ASSY MED NXT L | 62 |
| 18261-R | LEAF SEAT RAIL ASSY MED NXT R | 62 |
| 18262-2 | LEAF SEAT RAIL ASSY LNG NXT PR | 62 |
| 18262-L | LEAF SEAT RAIL ASSY LNG NXT L | 62 |
| 18262-R | LEAF SEAT RAIL ASSY LNG NXT R | 62 |
| 18263-1 | LEAF SEAT RAIL TUBE SHT NXT | 62 |
| 18263-2 | LEAF SEAT RAIL TUBE SHT NXT | 62 |
| 18264-1 | LEAF SEAT RAIL TUBE MED NXT | 62 |
| 18264-2 | LEAF SEAT RAIL TUBE MED NXT | 62 |
| 18265-1 | LEAF SEAT RAIL TUBE LNG NXT | 62 |
| 18265-2 | LEAF SEAT RAIL TUBE LNG NXT | 62 |
| 18266-1 | LEAF ADJ HINGE INSERT STNLS | 62 |
| 18266-2 | LEAF ADJ HINGE INSERT STNLS | 62 |
| 18267-1 | LEAF HANGER MOUNT WELDMENT | 62 |
| 18267-2 | LEAF HANGER MOUNT WELDMENT | 62 |
| 18270-1 | SRO - SEAT RAIL ONLY SHT NXT | 62 |
| 18270-2 | SRO - SEAT RAIL ONLY SHT NXT | 62 |
| 18271-1 | SRO - SEAT RAIL ONLY MED NXT | 62 |
| 18271-2 | SRO - SEAT RAIL ONLY MED NXT | 62 |
| 18272-1 | SRO - SEAT RAIL ONLY LNG NXT | 62 |
| 18272-2 | SRO - SEAT RAIL ONLY LNG NXT | 62 |
| 18300-2 | SIDE FRM FRNT SHT NXT PR | 59 |
| 18300-L | SIDE FRM FRNT SHT NXT L | 59 |
| 18300-R | SIDE FRM FRNT SHT NXT R | 59 |
| 18301-2 | SIDE FRM FRNT MED NXT PR | 59 |
| 18301-L | SIDE FRM FRNT MED NXT L | 59 |
| 18301-R | SIDE FRM FRNT MED NXT R | 59 |
| 18302-2 | SIDE FRM FRNT LONG NXT PR | 59 |
| 18302-L | SIDE FRM FRNT LONG NXT L | 59 |
| 18302-R | SIDE FRM FRNT LONG NXT R | 59 |
| 18310-2 | SIDE FRM RR SHT LW TLT NXT PR | 59 |
| 18310-L | SIDE FRM RR SHT LW TLT NXT L | 59 |

Index—Page Location by Part Number (cont.)

| ITEM # | DESCRIPTION | FOUND ON PAGE(S): |
|---------|--------------------------------|-------------------|
| 18310-R | SIDE FRM RR SHT LW TLT NXT R | 59 |
| 18311-2 | SIDE FRM RR MED LW TLT NXT PR | 59 |
| 18311-L | SIDE FRM RR MED LW TLT NXT L | 59 |
| 18311-R | SIDE FRM RR MED LW TLT NXT R | 59 |
| 18312-2 | SIDE FRM RR MED TL TLT NXT PR | 59 |
| 18312-L | SIDE FRM RR MED TL TLT NXT L | 59 |
| 18312-R | SIDE FRM RR MED TL TLT NXT R | 59 |
| 18313-2 | SIDE FRM RR LONG NXT PR | 59 |
| 18313-L | SIDE FRM RR LONG NXT L | 59 |
| 18313-R | SIDE FRM RR LONG NXT R | 59 |
| 18320-1 | SIDE FRM INSRT TUBE UPR NXT | 59 |
| 18320-2 | SIDE FRM INSRT TUBE UPR NXT | 59 |
| 18321-1 | SIDE FRM INSRT TUBE LWR NXT | 59 |
| 18321-2 | SIDE FRM INSRT TUBE LWR NXT | 59 |
| 18322-1 | SEAT RAIL RECEIVER NXT LW TLT | 59 |
| 18322-2 | SEAT RAIL RECEIVER NXT LW TLT | 59 |
| 18323-1 | SPACER .076" X 1" OD X 1/4" ID | 59 |
| 18323-2 | SPACER .076" X 1" OD X 1/4" ID | 59 |
| 18324-1 | SEAT RAIL RECEIVER NXT TL TLT | 59 |
| 18324-2 | SEAT RAIL RECEIVER NXT TL TLT | 59 |
| 18330-2 | BASE FRM ASSY SHORT FLD NXT PR | 64 |
| 18330-L | BASE FRM ASSY SHORT FLD NXT L | 64 |
| 18330-R | BASE FRM ASSY SHORT FLD NXT R | 64 |
| 18331-2 | BASE FRM ASSY SHORT RGD NXT PR | 64 |
| 18331-L | BASE FRM ASSY SHORT RGD NXT L | 64 |
| 18331-R | BASE FRM ASSY SHORT RGD NXT R | 64 |
| 18332-2 | BASE FRM ASSY MED LW TLT FLD | 64 |
| 18332-L | BASE FRM ASSY MED LW TLT FLD L | 64 |
| 18332-R | BASE FRM ASSY MED LW TLT FLD R | 64 |
| 18333-2 | BASE FRM ASSY MED LW TLT RGD | 64 |
| 18333-L | BASE FRM ASSY MED LW TLT RGD L | 64 |
| 18333-R | BASE FRM ASSY MED LW TLT RGD R | 64 |
| 18334-2 | BASE FRM ASSY MED TL TLT FLD | 64 |
| 18334-L | BASE FRM ASSY MED TL TLT FLD L | 64 |
| 18334-R | BASE FRM ASSY MED TL TLT FLD R | 64 |
| 18335-2 | BASE FRM ASSY MED TL TLT RGD | 64 |
| 18335-L | BASE FRM ASSY MED TL TLT RGD L | 64 |
| 18335-R | BASE FRM ASSY MED TL TLT RGD R | 64 |
| 18336-2 | BASE FRM ASSY LONG FLD NXT PR | 64 |
| 18336-L | BASE FRM ASSY LONG FLD NXT L | 64 |
| 18336-R | BASE FRM ASSY LONG FLD NXT R | 64 |
| 18337-2 | BASE FRM ASSY LONG RGD NXT PR | 64 |
| 18337-L | BASE FRM ASSY LONG RGD NXT L | 64 |
| 18337-R | BASE FRM ASSY LONG RGD NXT R | 64 |
| 18500-2 | FOOT ACTIV DRUM W/L ASSY NXT | 101 |
| 18501-2 | FT ACTV DRM W/L ASSY NXT 16/18 | 101 |

Index—Page Location by Part Number (cont.)

| ITEM # | DESCRIPTION | FOUND ON PAGE(S): |
|---------|------------------------------------|-------------------|
| 18505-2 | HAND ACTIV DRUM BRAKE-W/L NXT | 104 |
| 18506-2 | HND ACTV DRM BRK W/L NXT 16/18 | 104 |
| 18510-1 | FOOT LEVER ASSY - DRUM W/LOCK | 101 |
| 18511-1 | CABLE ACCESS COVER | 101 |
| 18512-1 | CABLE ANCHOR PLATE STNLS | 101 |
| 18513-1 | CABLE FERRULE - SLOTTED | 101 |
| 18514-1 | FOOT LEVER MOUNTING BRACKET | 101 |
| 18515-1 | FT MECH MTNG BRKT SPCR | 101 |
| 18525-1 | HAND ACTIV BRAKE-W/L HNDL ASSY | 104 |
| 18525-2 | HAND ACTIV BRAKE-W/L HNDL ASSY | 104 |
| 18526-1 | COMBO TILT GREEN TRIGGER/CBL | 89, 104 |
| 18527-1 | AXLE Q/R 4-5/8 X 1/2" DRUM LOC | 101, 104 |
| 18527-2 | AXLE Q/R 4-5/8 X 1/2" DRUM LOC | 101, 104 |
| 18528-1 | AXLE Q/R 5" X 1/2" DRUM LOC | 101, 104 |
| 18528-2 | AXLE Q/R 5" X 1/2" DRUM LOC | 101, 104 |
| 18530-2 | DRUM BRAKE & LOCK MECHANISM PR | 101, 104 |
| 18530-L | DRUM BRAKE & LOCK MECHANISM L | 101, 104 |
| 18530-R | DRUM BRAKE & LOCK MECHANISM R | 101, 104 |
| 18531-L | DRUM BRAKE MECH MNTNG PLATE L | 101, 104 |
| 18531-R | DRUM BRAKE MECH MNTNG PLATE R | 101, 104 |
| 18532-1 | DRUM BRAKE AXLE PLATE | 101, 104 |
| 18533-1 | DRUM BRAKE AXLE SLEEVE 2-3/4" | 101, 104 |
| 18534-1 | DRUM BRAKE AXLE SLEEVE 2-1/4" | 101, 104 |
| 18535-1 | AXLE SLEEVE SPACER 5/16 X 3/4" | 101, 104 |
| 18536-2 | DRUM BRAKE - W/L SHOE SET | 101, 104 |
| 18537-1 | DRUM BRAKE SHOE RETURN SPRING | 101, 104 |
| 18538-1 | DRUM BRAKE SHOE BACKING SPACER | 101, 104 |
| 18539-1 | DRUM BRAKE SHOE CAM | 101, 104 |
| 18540-1 | DRUM BRAKE SHOE CAM ARM | 101, 104 |
| 18542-1 | BRAKE SHOE RETAINER CLIP | 101, 104 |
| 18543-1 | CABLE ANCHOR BOLT | 101, 104 |
| 18544-1 | CABLE END ADJ FITTING - DRUM BRAKE | 101, 104 |
| 18550-1 | FOOT ACTIV BRAKE CABLE 15" L | 101 |
| 18551-1 | FT ACTIV BRK CBL 20" 10-12W R | 101 |
| 18552-1 | FT ACTIV BRK CBL 25" 13-16W R | 101 |
| 18553-1 | FT ACTIV BRK CBL 30" 17-20W R | 101 |
| 18600-2 | PUSH W/L ASSY SHORT PR | 95 |
| 18600-L | PUSH W/L ASSY SHORT L | 95 |
| 18600-R | PUSH W/L ASSY SHORT R | 95 |
| 18601-2 | PUSH W/L ASSY SHORT W/ SPCR PR | 95 |
| 18601-L | PUSH W/L ASSY SHORT W/ SPCR L | 95 |
| 18601-R | PUSH W/L ASSY SHORT W/ SPCR R | 95 |
| 18610-2 | PUSH W/L ASSY LONG PR | 95 |
| 18610-L | PUSH W/L ASSY LONG L | 95 |
| 18610-R | PUSH W/L ASSY LONG R | 95 |
| 18611-2 | PUSH W/L ASSY LONG W/ SPCR PR | 95 |

Index—Page Location by Part Number (cont.)

| ITEM # | DESCRIPTION | FOUND ON PAGE(S): |
|---------|--------------------------------|-------------------|
| 18611-L | PUSH W/L ASSY LONG W/ SPCR L | 95 |
| 18611-R | PUSH W/L ASSY LONG W/ SPCR R | 95 |
| 18620-2 | PULL W/L ASSY SHORT PR | 98 |
| 18620-L | PULL W/L ASSY SHORT L | 98 |
| 18620-R | PULL W/L ASSY SHORT R | 98 |
| 18621-2 | PULL W/L ASSY SHORT W/ SPCR PR | 98 |
| 18621-L | PULL W/L ASSY SHORT W/ SPCR L | 98 |
| 18621-R | PULL W/L ASSY SHORT W/ SPCR R | 98 |
| 18630-2 | PULL W/L ASSY LONG PR | 98 |
| 18630-L | PULL W/L ASSY LONG L | 98 |
| 18630-R | PULL W/L ASSY LONG R | 98 |
| 18631-2 | PULL W/L ASSY LONG W/ SPCR PR | 98 |
| 18631-L | PULL W/L ASSY LONG W/ SPCR L | 98 |
| 18631-R | PULL W/L ASSY LONG W/ SPCR R | 98 |
| 18640-2 | PUSH W/L ONLY SHORT PR | 95 |
| 18640-L | PUSH W/L ONLY SHORT L | 95 |
| 18640-R | PUSH W/L ONLY SHORT R | 95 |
| 18641-2 | PUSH W/L ONLY SHORT W/ SPCR PR | 95 |
| 18641-L | PUSH W/L ONLY SHORT W/ SPCR L | 95 |
| 18641-R | PUSH W/L ONLY SHORT W/ SPCR R | 95 |
| 18642-2 | PUSH W/L ONLY LONG PR | 95 |
| 18642-L | PUSH W/L ONLY LONG L | 95 |
| 18642-R | PUSH W/L ONLY LONG R | 95 |
| 18643-2 | PUSH W/L ONLY LONG W/ SPCR PR | 95 |
| 18643-L | PUSH W/L ONLY LONG W/ SPCR L | 95 |
| 18643-R | PUSH W/L ONLY LONG W/ SPCR R | 95 |
| 18650-2 | PULL W/L ONLY SHORT PR | 98 |
| 18650-L | PULL W/L ONLY SHORT L | 98 |
| 18650-R | PULL W/L ONLY SHORT R | 98 |
| 18651-2 | PULL W/L ONLY SHORT W/ SPCR PR | 98 |
| 18651-L | PULL W/L ONLY SHORT W/ SPCR L | 98 |
| 18651-R | PULL W/L ONLY SHORT W/ SPCR R | 98 |
| 18652-2 | PULL W/L ONLY LONG PR | 98 |
| 18652-L | PULL W/L ONLY LONG L | 98 |
| 18652-R | PULL W/L ONLY LONG R | 98 |
| 18653-2 | PULL W/L ONLY LONG W/ SPCR PR | 98 |
| 18653-L | PULL W/L ONLY LONG W/ SPCR L | 98 |
| 18653-R | PULL W/L ONLY LONG W/ SPCR R | 98 |
| 1999A | AXLE RECEIVER SPACER | 23 |
| 20040-1 | FTPLT ONLY FLIP ANG ADJ 10-11W | 49 |
| 20040-2 | FTPLT ONLY FLIP ANG ADJ 10-11W | 49 |
| 20041-1 | FTPLT ONLY FLIP ANG ADJ 12-13W | 49 |
| 20041-2 | FTPLT ONLY FLIP ANG ADJ 12-13W | 49 |
| 20042-1 | FTPLT ONLY FLIP ANG ADJ 14-15W | 49 |
| 20042-2 | FTPLT ONLY FLIP ANG ADJ 14-15W | 49 |
| 20043-1 | FTPLT ONLY FLIP ANG ADJ 16-17W | 49 |

Index—Page Location by Part Number (cont.)

| ITEM # | DESCRIPTION | FOUND ON PAGE(S): |
|---------|--------------------------------|-------------------|
| 20043-2 | FTPLT ONLY FLIP ANG ADJ 16-17W | 49 |
| 20044-1 | FTPLT ONLY FLIP ANG ADJ 18W | 49 |
| 20044-2 | FTPLT ONLY FLIP ANG ADJ 18W | 49 |
| 20059-1 | HEEL LOOP FOR COMPOSITE FTPLT | 47 |
| 20059-2 | HEEL LOOP FOR COMPOSITE FTPLT | 47 |
| 20066-1 | ANG ADJ FTPLT PIVOT CLAMP | 49 |
| 20066-2 | ANG ADJ FTPLT PIVOT CLAMP | 49 |
| 20071-2 | COMPOSITE FTPLT ASSY 12-13" | 47 |
| 20071-L | COMPOSITE FTPLT ASSY 12-13" L | 47 |
| 20071-R | COMPOSITE FTPLT ASSY 12-13" R | 47 |
| 20072-2 | COMPOSITE FTPLT ASSY 14-15" | 47 |
| 20072-L | COMPOSITE FTPLT ASSY 14-15" L | 47 |
| 20072-R | COMPOSITE FTPLT ASSY 14-15" R | 47 |
| 20073-2 | COMPOSITE FTPLT ASSY 16-17" | 47 |
| 20073-L | COMPOSITE FTPLT ASSY 16-17" L | 47 |
| 20073-R | COMPOSITE FTPLT ASSY 16-17" R | 47 |
| 20074-2 | COMPOSITE FTPLT ASSY 18" | 47 |
| 20074-L | COMPOSITE FTPLT ASSY 18" L | 47 |
| 20074-R | COMPOSITE FTPLT ASSY 18" R | 47 |
| 20075-2 | COMPOSITE FTPLT ONLY 12-13" PR | 47 |
| 20075-L | COMPOSITE FTPLT ONLY 12-13" L | 47 |
| 20075-R | COMPOSITE FTPLT ONLY 12-13" R | 47 |
| 20076-2 | COMPOSITE FTPLT ONLY 14-15" PR | 47 |
| 20076-L | COMPOSITE FTPLT ONLY 14-15" L | 47 |
| 20076-R | COMPOSITE FTPLT ONLY 14-15" R | 47 |
| 20077-2 | COMPOSITE FTPLT ONLY 16-17" PR | 47 |
| 20077-L | COMPOSITE FTPLT ONLY 16-17" L | 47 |
| 20077-R | COMPOSITE FTPLT ONLY 16-17" R | 47 |
| 20078-2 | COMPOSITE FTPLT ONLY 18" PR | 47 |
| 20078-L | COMPOSITE FTPLT ONLY 18" L | 47 |
| 20078-R | COMPOSITE FTPLT ONLY 18" R | 47 |
| 20082-1 | 4.5" HANGER EXT H/D 90/75 | 55 |
| 20082-2 | 4.5" HANGER EXT H/D 90/75 | 55 |
| 20083-1 | 6.5" HANGER EXT H/D 90/75 | 55 |
| 20083-2 | 6.5" HANGER EXT H/D 90/75 | 55 |
| 20086-1 | HANGER ASSY 90° POP-UP L/R | 72 |
| 20086-2 | HANGER ASSY 90° POP-UP PR | 72 |
| 20087-1 | HANGER ASSY 75° POP-UP L/R | 72 |
| 20087-2 | HANGER ASSY 75° POP-UP PR | 72 |
| 20088-1 | HANGER TUBE 75° POP-UP L/R | 72 |
| 20088-2 | HANGER TUBE 75° POP-UP L/R | 72 |
| 20089-1 | HANGER TUBE 90° POP-UP L/R | 72 |
| 20089-2 | HANGER TUBE 90° POP-UP L/R | 72 |
| 20094-1 | 4.5" HANGER EXT ELEVATING LEGR | 55, 74 |
| 20094-2 | 4.5" HANGER EXT ELEVATING LEGR | 55, 74 |
| 20097-1 | 8" ADJ TELESCOP FOOTREST EXT | 55 |

Index—Page Location by Part Number (cont.)

| ITEM # | DESCRIPTION | FOUND ON PAGE(S): |
|--------------|---|-------------------|
| 20097-2 | 8" ADJ TELESCOP FOOTREST EXT | 55 |
| 20098-1 | 6" ADJ TELESCOP FOOTREST EXT | 55 |
| 20098-2 | 6" ADJ TELESCOP FOOTREST EXT | 55 |
| 20099-1 | 4" ADJ TELESCOP FOOTREST EXT | 55 |
| 20099-2 | 4" ADJ TELESCOP FOOTREST EXT | 55 |
| 20100-1 | SPACER SLEEVE TEL FTRST EXT | 55 |
| 20101-1 | 4" TEL FTRST EXT TUBE ONLY | 55 |
| 20102-1 | 6" TEL FTRST EXT TUBE ONLY | 55 |
| 20103-1 | 8" TEL FTRST EXT TUBE ONLY | 55 |
| 2010A | CASTER FORK STEM - 3-5/8" | 35 |
| 2010E | CASTER FORK STEM 3-3/4" CE MRK | 35 |
| 2010F | CASTER FORK STEM - 4-1/2" | 35 |
| 2010G | SPACER - CASTER FORK STEM 3/4" | 35 |
| 2011B | FORK ONLY 6" & 7" X 2" CASTER | 35 |
| 2011C | FORK ONLY 4" CASTER | 35 |
| 2011D | FORK ONLY MULTI POSITION FORK | 35 |
| 2013A-4 | CASTER AXLE SPACER 5/16 X .149 | 35 |
| 4023a | 20" SPOKE WHL ONLY W/ BEARINGS | 126 |
| 4024a | 22" SPOKE WHL ONLY W/ BEARINGS | 129 |
| 4025a | 24" SPOKE WHL ONLY W/ BEARINGS | 132 |
| 5016A | FOAM GRIP 3/8" X 4" | 95 |
| 5016B | FOAM GRIP .75" ID X 2" | 3, 98, 101 |
| 5016C-1 | PLASTIC CAP PULL-LK W/L HNDL | 98 |
| 5016C-2 | PLASTIC CAP PULL-LK W/L HNDL | 98 |
| 5016D-1 | PLASTIC CAP PUSH-LK W/L HNDL | 95 |
| 5016D-2 | PLASTIC CAP PUSH-LK W/L HNDL | 95 |
| 502001-002-B | Legrest Receiver, After Market | 77, 79, 81 |
| 502016-002-A | Legrest Receiver Cover Plate, After Market | 77, 79, 81 |
| 502017-D | Legrest Receiver Key | 77, 79, 81 |
| 502018-A | Legrest Receiver Spring | 77, 79, 81 |
| 502019-B | Legrest Receiver Actuator Button | 77, 79, 81 |
| 502051-003-G | DRB Backpost Lug - .740 | 29 |
| 502052-G | DRB Actuator Arm | 29 |
| 502055-001-A | DRB Impact Spring - Yellow 50a Polyurethane | 29 |
| 502055-002-A | DRB Impact Spring - Natural 60a Polyurethane | 29 |
| 502055-003-A | DRB Impact Spring - Green 80a Polyurethane | 29 |
| 502055-004-A | DRB Impact Spring - Blue 70a Polyurethane | 29 |
| 502056-D | DRB Backpost Lug Bushing | 29 |
| 502057-E | DRB Latch Plate | 29 |
| 502058-C | DRB Latch Plate Bushing | 29 |
| 502059-C | DRB Actuator Arm Cover Plate | 29 |
| 502060-B | DRB Actuator Shaft | 29 |
| 502062-B | DRB Impact Spring Cap | 29 |
| 502073-001-E | DRB Universal Housing | 29 |
| 502074-001-B | DRB Universal Bracket - HD | 29 |
| 502077-002 | Socket Set Screw / M8 x 1.25 x 40mm / Black Oxide | 29 |

Index—Page Location by Part Number (cont.)

| ITEM # | DESCRIPTION | FOUND ON PAGE(S): |
|--------------|---|-------------------|
| 5025-2 | PULL TO LOCK LEVER ONLY PR | 98 |
| 5025-L | PULL TO LOCK LEVER ONLY L | 98 |
| 5025-R | PULL TO LOCK LEVER ONLY R | 98 |
| 5026-2 | PUSH TO LOCK LEVER ONLY PR | 95 |
| 5026-L | PUSH TO LOCK LEVER ONLY L | 95 |
| 5026-R | PUSH TO LOCK LEVER ONLY R | 95 |
| 504A | EZ LITE CLAMP STANDARD 1" | 85 |
| 504B | EZ LITE CLAMP EXTENDED 1" | 85 |
| 505007-A | Footrest Tube Conical Wedge - 3/4" Tube | 77 |
| 505017-B | Bushing, Upper Leg Post | 77, 81 |
| 505018-B | Bushing, Lower Leg Post | 77, 81 |
| 505021-C | Footplate Pivot Block | 77 |
| 505022-C | Bushing, Pivot Block | 77 |
| 505023-C | Retainer Plug, Pivot Block | 77 |
| 505025-B | Footplate 5"x7" - RH | 77, 79, 81 |
| 505033-B | Footplate 5"x7" - LH | 77, 79, 81 |
| 505059-004-A | Adapter, Legrest Receiver - Freedom CGX / NXT | 77, 79, 81 |
| 505117-A | Cap, Adj. Angle Footrest End | 77, 79 |
| 505118-E | Pivot Arm Ankle PD Joint | 77 |
| 505121-001 | Adj Footrest Weldment, 3/4" Dia Tube, Short | 77 |
| 505138-001 | Adj Knee Tube Weldment | 77 |
| 505139-D | Adj Knee Post Weldment | 79 |
| 505305-A | DTF Upper Guide Bushing | 79, 81 |
| 505306-001 A | DTF Spring Stop | 79, 81 |
| 505306-002 B | DTF Spring Stop, Threaded | 79, 81 |
| 505307-001 | DTF Spring 29# Max Force | 79, 81 |
| 505307-002 | DTF Spring 40# Max Force | 79, 81 |
| 505307-003 | DTF Spring 63# Max Force | 79, 81 |
| 505308-001-A | DTF Locknut - Steel Housing | 79 |
| 505308-002-A | DEF Locknut - Aluminum Housing | 81 |
| 505309-C | DTF Lower Housing | 79, 81 |
| 505311-001-A | DTF Clamp - Adjuster Side | 79, 81 |
| 505311-002-A | DTF Clamp - Pin Side | 79, 81 |
| 505312-A | DTF Lower Guide Bushing | 79, 81 |
| 505314-A | DTF Adj Knee Tube Weldment | 79 |
| 505315-003-B | DEF Leg Post Weldment | 81 |
| 505318-B | DEF Hub / Upper Housing | 81 |
| 505319-A | DEF Axle | 81 |
| 505320-002-A | DEF Impact Spring - Clear / Medium | 81 |
| 505322-002-A | DPD Impact Spring - Clear / Medium | 79, 81 |
| 505329-B | DTF Connecting Rod | 79, 81 |
| 505340-C | DPD Housing | 79, 81 |
| 505341-A | DPD Housing Cover | 79, 81 |
| 505342-C | DPD Footplate Axle | 79, 81 |
| 505343-A | DPD Footplate Axle Bushing | 79, 81 |
| 505344-A | DPD Footplate Clamp | 79, 81 |

Index—Page Location by Part Number (cont.)

| ITEM # | DESCRIPTION | FOUND ON PAGE(S): |
|--------------|---|-------------------|
| 505345-A | DPD Footplate Mount | 79, 81 |
| 505346-001-A | DPD Short Extension Shaft | 79, 81 |
| 505347-B | DTF Piston | 79, 81 |
| 505351-A | DTF Wear Button, Telescoping Extn. | 79, 81 |
| 505352-A | DTF Adjusting Screw | 79, 81 |
| 505354-A | DTF Upper Extension Cylinder Bushing | 79 |
| 505355 A | DPD Footplate Axle Thrust Washer | 79, 81 |
| 6004-2 | LKG F/BCK ARM ADJ PLATE - PR | 7, 11 |
| 6004-L | LKG F/BCK ARM ADJ PLATE - L | 7, 11 |
| 6004-R | LKG F/BCK ARM ADJ PLATE - R | 7, 11 |
| 8001-2 | ANTI TIP ROLLER ASSY L | 3 |
| 8001-L | ANTI TIP ROLLER ASSY R | 3 |
| 8001-R | ANTI-TIP ROLLER ASSY PR | 3 |
| 9009A-2 | ANTI-TIP WHEEL | 3 |
| 9009A-4 | ANTI-TIP WHEEL | 3 |
| 9031A-4 | WASHER #10 FLAT | 68 |
| 9038A-4 | SCREW 1/4-20 X 3/8" SET SCREW | 25 |
| 9074A-4 | FLAT WASHER 1/4" LARGE O.D. | 21 |
| F0509 | M5x12 SHCS Zinc 8.8 | 29 |
| F0514 | M5x18 FHSCS Zinc | 79, 81 |
| F0516 | M5x20 SHCS, Zinc | 79, 81 |
| F0519 | M5x30 SHCS Zinc | 77, 79, 81 |
| F0523 | M5x8 FHSCS, Zinc | 29, 77, 79, 81 |
| F0524 | M5x8mm .8 SHSS, Zinc | 77 |
| F0527 | M5x10mm Plastic Phillips Pan Head Bolt | 81 |
| F0601 | M6 Flat Washer, Zinc | 29, 77, 79, 81 |
| F0603 | M6 High Collar Split Washer Small OD | 77 |
| F0605 | M6 Lock Nut, Zinc | 29, 77, 79, 81 |
| F0606 | M6 Split Washer Sm OD Zinc To Fit Under Head Of M6 SHCS | 77, 79 |
| F0613 | M6x16 BHSCS Zinc | 81 |
| F0615 | M6x16 FHSCS, Zinc | 77, 79, 81 |
| F0616 | M6x16 SHCS, 8.8, Zinc | 77 |
| F0619 | M6x20 FHSCS, Zinc | 77 |
| F0620 | M6x20 SHCS, 8.8, Zinc | 79, 81 |
| F0622 | M6x25 SHCS, 8.8, Zinc | 77, 79, 81 |
| F0623 | M6x25 SHCS PLATED - GR 12.9 | 77 |
| F0625 | M6x30 SHCS, Zinc | 29, 77 |
| F0632 | M6x50 SHCS, Zinc | 29 |
| F0653 | M6x35 FHCS, Zinc | 77, 79, 81 |
| F0802 | M8x1.25 Nylon Lock Nut Zinc Plated | 29, 79, 81 |
| F0803 | M8 Flat Washer Plated | 29 |
| F0811 | M8x20 SBHCS, Zinc | 81 |
| F1201 | M12 Std Flat Washer - Zinc | 29 |
| F2002 | 1/2"x20 ESNA Lock Nut - Thin | 29 |
| F9113 | Dowel Pin 1/8"x1.25" Stainless Steel | 81 |

Index—Page Location by Part Number (cont.)

| ITEM # | DESCRIPTION | FOUND ON PAGE(S): |
|---------------|---------------------------|--------------------------|
| FBP | BACKPACK | 1 |
| FMNP | MEDICAL NECESSITIES POUCH | 1 |
| SEZFC | SELECT EZ FRAME CLAMP KIT | 85 |
| | TRANSPORT BRACKET FRONT | 93 |
| | TRANSPORT BRACKET REAR | 93 |







Our kids are our passion.™