



***Freedom Designs, Inc.***



**Seating & Positioning Catalog**

October 2010



# Making More than Products ...Making a Difference!



Corporate Office & Manufacturing Facility - Simi Valley, CA USA

Freedom Designs, Inc., a member of the Helixx Group, has designed and manufactured specialized wheelchair frames, custom seating and positioning systems, hardware, and accessories for over 26 years. Utilizing an in-house machine shop and highly specialized staff, Freedom Designs is able to offer functional, durable, and cost effective products – all manufactured in the U.S.A.

We are proud of many on-going industry contributions over the years. These include active involvement with seating/positioning and wheelchair code development for funding agencies, offering the first technical seminars for therapist/dealer training, design and manufacture of the first folding tilt in space wheelchair (Libre/Gizmo), the first mid-wheel drive wheelchair (Tripod) and the Freedom CGX, the first cable-free, center of gravity, tilt in space wheelchair.

Major company goals have been, and continue to be, the provision of both innovation and high quality products complemented by a seasoned, knowledgeable and caring customer service and support staff.

The Freedom Designs' team wants to thank you for your interest and for giving us the opportunity to serve your needs.

## ***OUR QUALITY PLEDGE:***

***Freedom Designs makes the following commitments to our valued customers:***

- ✓ *To ensure order accuracy by thorough quality control and attention to detail.*
- ✓ *To deliver our products at the highest level of quality as well as maintaining and providing the highest professional standard.*
- ✓ *To provide excellent customer service by listening and assisting in a timely and thorough manner.*
- ✓ *To continue improving operations, providing for on-going growth and increased efficiencies for us and our customers.*

**If you require items not found in this catalog, please contact us as we have many other products available. For price lists, order forms, other information, please call customer service at 800-331-8551 or visit our website at [www.freedomdesigns.com](http://www.freedomdesigns.com)**



# Table of Contents

## Seating & Positioning Products

<b>Terms &amp; Conditions .....</b>	<b>2</b>
<b>Solid Seats &amp; Modifications .....</b>	<b>3</b>
<b>Solid Backs &amp; Modifications</b>	
Solid Backs (Non-Easy Conforming).....	<b>8</b>
Back Modifications (Non-Easy Conforming) .....	<b>10</b>
Easy Conforming Backs .....	<b>12</b>
Easy Conforming Back Modifications.....	<b>13</b>
Embroidery Designs.....	<b>14</b>
<b>Medial Thigh Supports .....</b>	<b>15</b>
<b>Lateral Pelvic Supports (Hip Guides).....</b>	<b>17</b>
<b>Lateral Thoracic Supports (Trunk Supports).....</b>	<b>19</b>
<b>Anterior Trunk &amp; Shoulder Supports .....</b>	<b>22</b>
<b>Headrests &amp; Hardware.....</b>	<b>23</b>
<b>Extremity Supports.....</b>	<b>26</b>
<b>Trays &amp; Modifications .....</b>	<b>29</b>
<b>Auxiliary Device Holders.....</b>	<b>34</b>
<b>Upholstery Chart.....</b>	<b>35</b>
<b>Custom Foams .....</b>	<b>36</b>
<b>Limited Warranty .....</b>	<b>37</b>



# Terms & Conditions

## Dealer Accounts & Terms

A Freedom Designs, Inc. dealer application must be completed and approved before an account can be established. Freedom Designs standard terms for open accounts are net 30 days, unless other terms are agreed upon. Completed orders will not be shipped and new orders will not be processed on accounts with outstanding balances over 60 days.

## Ordering

Orders may be placed over the telephone, faxed, mailed or e-mailed into the Customer Service Department. Phone orders must be followed up with a hard copy confirming P.O. For any questions, please call Customer Service.

## Published Prices

Please reference pricing on our separately published price list. Call customer service or visit our website. Prices are subject to change without prior notice.

## Price Quotes

Upon request, Customer Service will provide a written quote which is valid for 60 days.

## Shipping

All Freedom Designs, Inc. products are shipped ground, FOB Simi Valley. Freight charges on factory installs may apply on wheelchairs not manufactured by Freedom Designs, Inc. For requests of special handling or exceptional freight, up-charges will be billed.

## Returns

All returns must have a Return Authorization Number on the box and must be shipped freight pre-paid. Product received without a valid R.A. # will be refused. The R.A. # must be obtained from the Customer Service Department. All returns MUST be received in the factory within 45 days of issuance of the R.A. #. Returns are subject to examination at the discretion of Freedom Designs, Inc. Returns may be subject to a 25% restocking fee. Custom fabricated products are non-returnable.

## Cancellations

Prior to canceling an order, a valid cancellation number must be obtained from Freedom Designs Customer Service Department. Restocking charges will occur on orders in progress and will be assessed based on the stage of completion. Custom fabricated products will be charged at 100%.

## Errors & Omissions

All Freedom Designs products are quality controlled prior to shipping. However, should there be a problem, it must be reported to Customer Service within three weeks of receipt of order for resolution.

## Liability

Freedom Designs, Inc. is not responsible for any product used incorrectly or with the wrong application. We recommend that positioning products be used in conjunction with a team of professionals that have been involved with the evaluation of the client. Freedom Designs, Inc. is responsible for any product that is defective in manufacturing or that was made in error by Freedom Designs, Inc.

## Business Hours

Customer Service:	Monday through Friday 6:00 a.m. to 5:00 p.m. PST. 800-331-8551
Message Center:	Available when factory is closed.
FAX Line (Toll Free):	Available 24 hours a day, 7 days a week. 888-582-1509





# Solid Seats

Freedom Designs offers solid seats in two configurations:

1. Solid seat hinged to a solid back.
2. Solid seat stand alone with 4-point hardware.

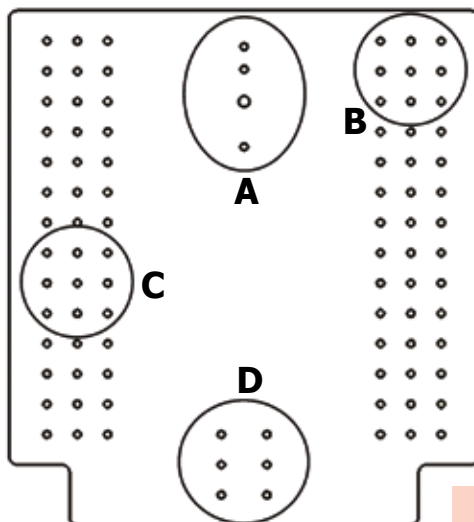
## Solid Seats Features:

- 1/2" marine grade plywood with 1 1/2" 4# high density foam (custom foams available, see price list).
- Universal t-nut pattern for mounting hardware and components excluding EZ Lite hardware (see bottom right below)
- Zipper at rear of seat.
- Standard t-nuts for components.
- Numerous modifications available.
- Various upholstery options including: Naugahyde, Lycra, Neoprene, Nylon, Cordura, Dartex, Darlex, Darflex, and Reverse Dartex.

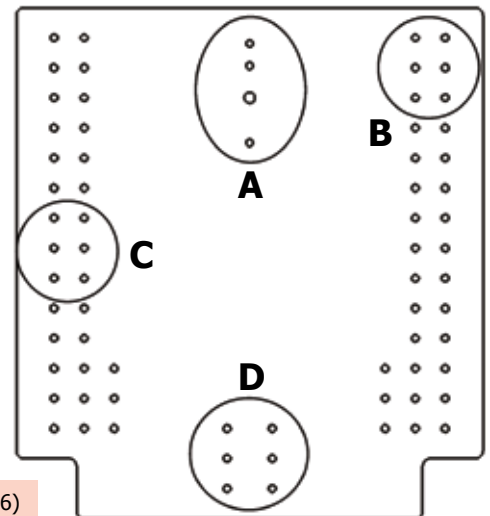
---

## T-Nut Patterns

Standard Pattern



EZ-Lite Seat



- |  |                   |
|--|-------------------|
| <b>A</b> - Abductor T-Nuts             | (1/4-20 & 3/8-16) |
| <b>B</b> - Hook Pattern T-Nuts         | (1/4-20)          |
| <b>C</b> - Hip Pad Bracket T-Nuts      | (1/4-20)          |
| <b>D</b> - Seat to Back Bracket T-Nuts | (1/4-20)          |

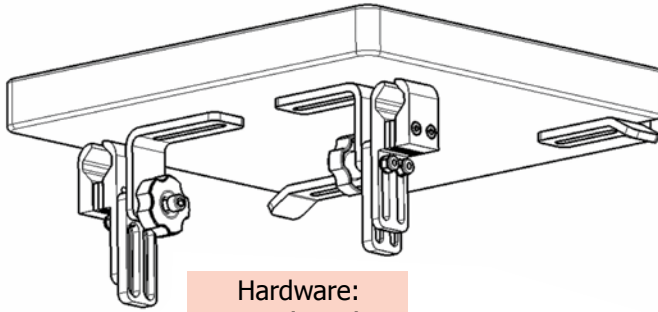


# Solid Seats

## 2 Point Hardware

(Seat bracket is included when 2 point seat is ordered with a 2 point back)

### EE1 Solid Seat w/ Econo EZE Hardware

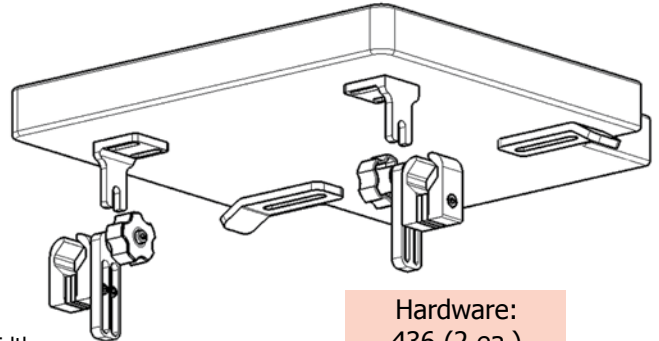


Hardware:  
436 (2 ea.)  
439 (2 ea.)  
462 (1 pr.)

- Standard cut - full width (between rails by request).
- Transport tested and approved.

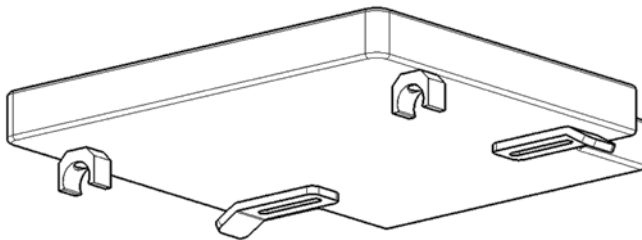
### EE1-Micro Solid Seat w/ Micro Hardware

Available for chairs 14" wide and under



Hardware:  
436 (2 ea.)  
439A (2 ea.)  
462G (1 pr.)

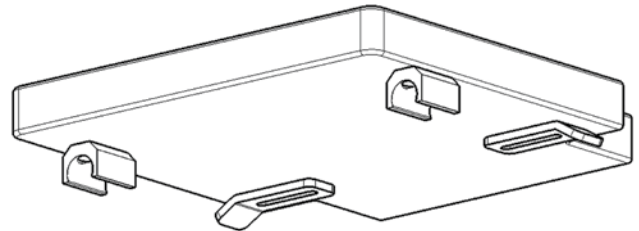
### EZ-Lite 1 Solid Seat w/ EZ Lite Hardware



Hardware:  
436 (2 ea.)  
504A (2 ea.)

- Only available cut full width.
- Transport tested and approved.
- 1" tubing only.

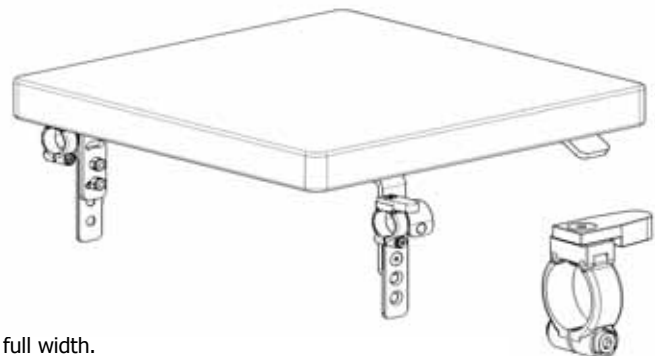
### EZ Lite 1 Ext Solid Seat w/ Extended EZ - Lite Clamps



Hardware:  
436 (2 ea.)  
504B (2 ea.)

### Rotate 1 Solid Seat w/Rotate Clamps in Front

Hardware:  
413 (2 ea.)  
436 (2 ea.)  
580 (2 ea.)



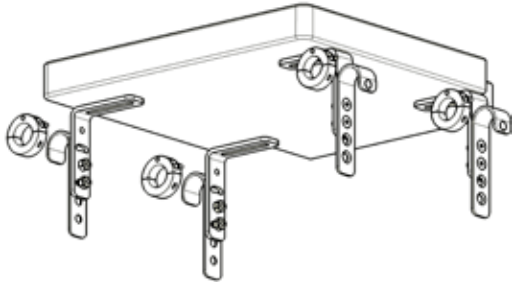
- Standard cut, full width.
- Can be cut between the rails by request.



# Solid Seats

## 4 Point Hardware

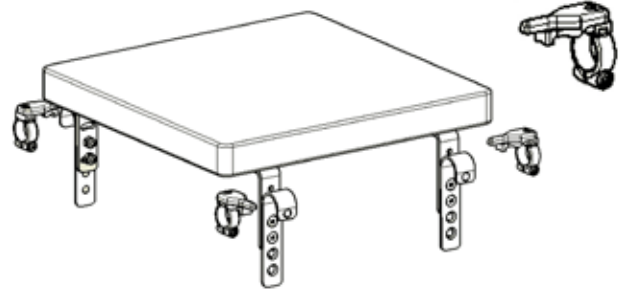
**101-4000**  
Solid Seat w/ J and L Brackets & Split Collar Clamps



Hardware:  
403A (4 ea.) or 403B (4 ea.)  
415A (4 ea.) or 415B (4 ea.)

- Standard cut between the rails.
- Transport tested and approved.
- Stainless steel J & L's available at no charge.

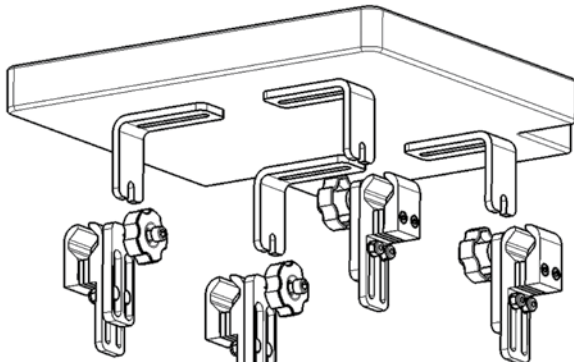
**101-11000**  
Solid Seat w/ 4 Glide Lock Clamps



Hardware:  
415A or 415S (4 ea.)  
520 (4 ea.)

## 101-16000

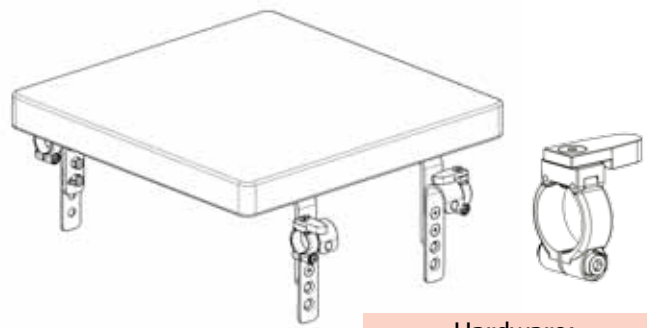
**101-7500**  
Solid Seat w/ Econo - Eze Hardware



Hardware:  
439 (4 ea.)  
462 (2 pr.)

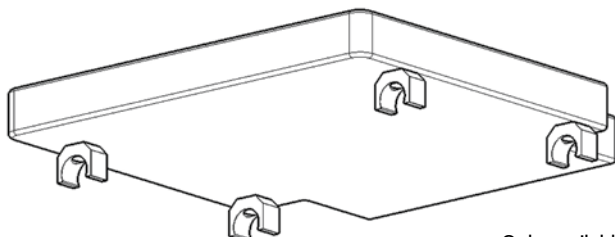
- Transport tested and approved.
- Not transport tested.
- Standard cut, full width.
- Can be cut between the rails by request.

**101-16000**  
Solid Seat w/ Rotate Clamps



Hardware:  
415A or 415S (4 ea.)  
580 (4 ea.)

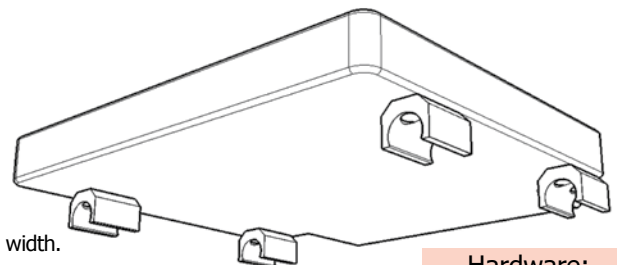
**101-10000**  
Solid Seat w/ 4 EZ Lite Clamps



Hardware:  
504A (4 ea.)

- Only available cut to full width.
- Transport tested and approved.
- 1" tubing only.

**101-10000-EXT**  
Solid Seat w/ 4 EZ Lite Extended Clamps



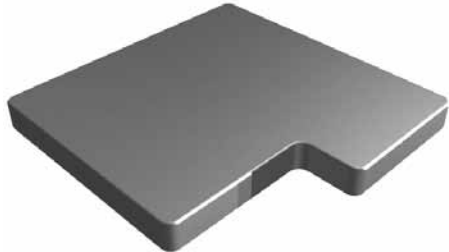
Hardware:  
504B (4 ea.)



# Seat Modifications

Please choose a seat from previous pages to modify

## Mod-1C Asymmetrical Seat Front



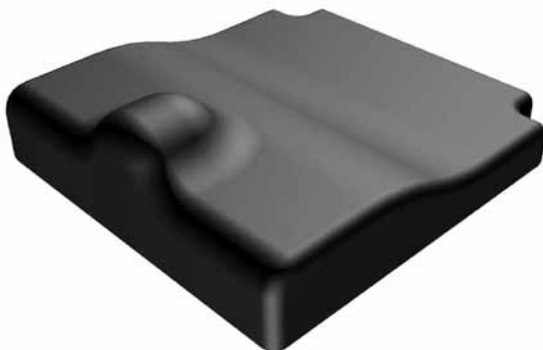
- Used to accommodate leg length discrepancies of 1-1/2" or more. Specify length on each side when ordering. **Mod-1CR** for long right or **Mod-1CL** for long left.
- If an abductor is required, please specify which side of the asymmetrical cut the abductor should be mounted. If not specified, the abductor mount will be on the short leg.

## Mod-1K Anti-Thrust Seat Foam



- Helps maintain ischial placement and pelvic positioning.
- Anti-thrust shelf is based on client's seat depth.

## Mod-1V Contour Seat Foam Abductor & Anti-Thrust



- Provides abductor build-up and anti-thrust ledge.
- Standard size is based on client seat depth and/or all dimensions can be specified.
- Anti-thrust is standard on all contours unless otherwise specified.

## Mod-1E Wedge Cut Foam



- Designed to accommodate a pelvic obliquity or provide hip flexion with foam. Specify desired direction (from left to right, right to left or front to back) of the wedge and thickness when ordering.

## Mod-1L Grid Seat Foam



- Standard is 2" of 4# foam blocks attached to the base with hook & loop.
- Blocks can be as thick as needed (see price list). Custom blocks available.
- Allows for carving and removing foam as needed.

Mod-1L1 Includes 9 additional foam blocks in 4# or 5# foam.

Mod-1L2 Includes 9 additional foam blocks in X-soft, medium, or firm T-foam.

Mod-1L2A Includes 9 additional foam blocks in soft, medium, or firm Sunmate.

Mod-1L3 Includes 9 additional foam blocks in Pudgee foam.

## Mod-1R2 Custom Seat Cover with Zipper (Cover Only) *(not shown)*

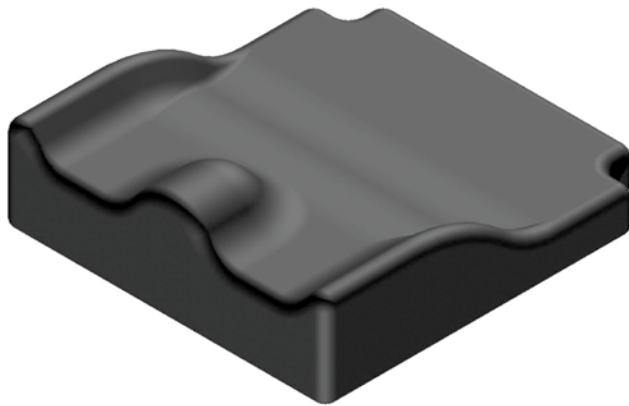
- Cover for a custom contoured or carved seat.
- Please provide the following when ordering: Width x Depth x Thickness and size of notches if applicable or original order information.





# Seat Modifications

## Mod-1Y Contour Seat Foam Adductor, Abductor, & Anti-Thrust



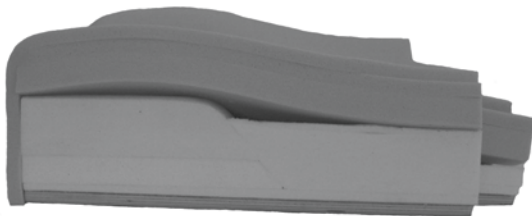
- Provides seat adductor/abductor build ups and anti-thrust ledge.
- Standard size is based on client seat depth and/or all dimensions can be specified.

## Mod-1DD Modular Seat Contour Cushion

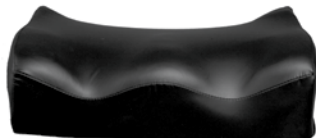


- Features Eva foam blocks with the anti-thrust shelf cut in 1/2" increments.
- Includes hook & loop for multiple placement, layers of 1/2" medium Sunmate, and 1/2" 4# foam on top.
- Stretchable cover fabric is recommended.

## Mod-1UU Cut, Carve, Contour Modular Seat



**New!**



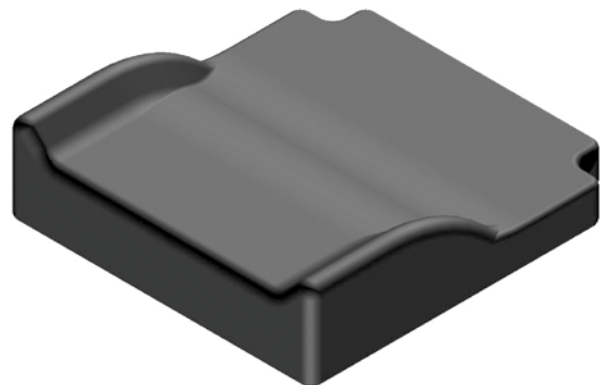
Foam Buildup:

MOD-1UU - Mild	1"
MOD-1UU - Moderate	2"
MOD-1UU - Maximum	3"

Represents an evolution in "cut and shape" modular seating technology.

- Pre-contoured Eva foam support for stability and intimate fit.
- Features a soft, stretchable moisture-resistant cover, zipped for easy access.
- Integrated solid seat for added stability.

## Mod-1W Contour Seat Foam Adductor & Anti-Thrust



- Provides adductor build up and anti-thrust ledge.
- Standard size is based on client seat depth and/or all dimensions can be specified.



# Solid Backs

Freedom Designs offers solid seats and backs in two configurations:

1. Solid Back hinged to seat
2. Solid Back with 4 point hardware

## Solid Backs Features:

- 1/2" marine grade plywood with 1" of medium density 4# foam. Custom foams available, see price list).
- Various upholstery options including Naugahyde, Lycra, etc.
- Zippered closure.
- Numerous modifications available.

---

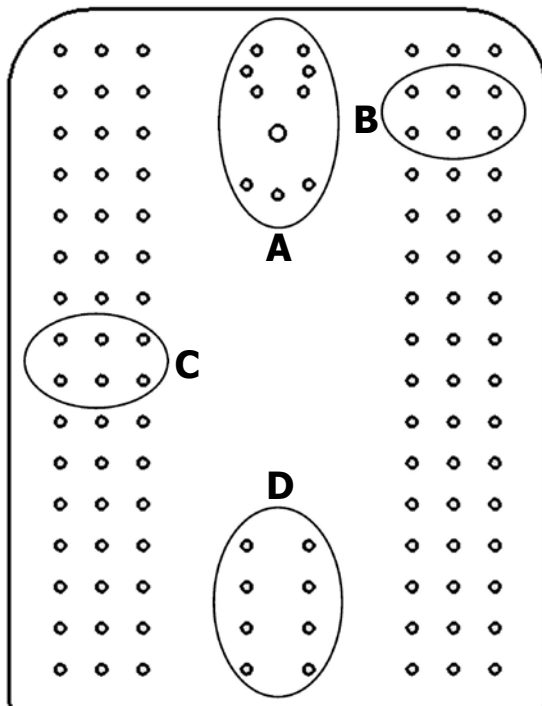
### Notes:

Backs ordered with Freedom Designs' hardware will have a universal t-nut pattern.

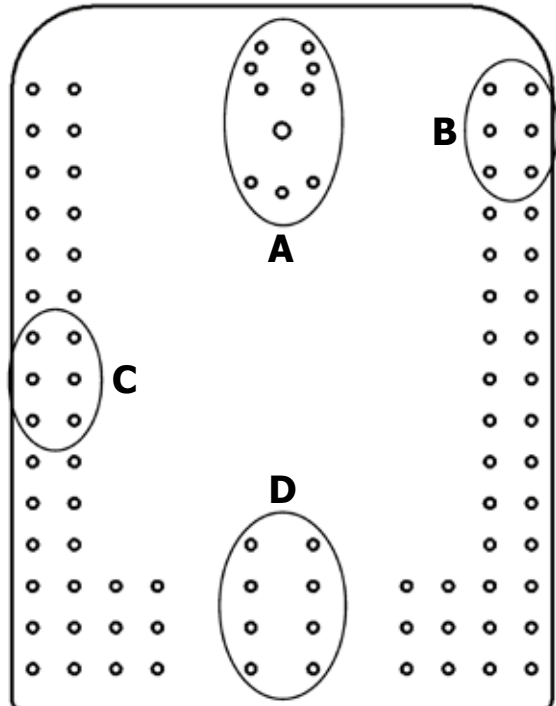
**Solid back inserts ordered without hardware will be t-nutted per customer instructions.**

## T-Nut Patterns

Standard Pattern



EZ-Lite Pattern



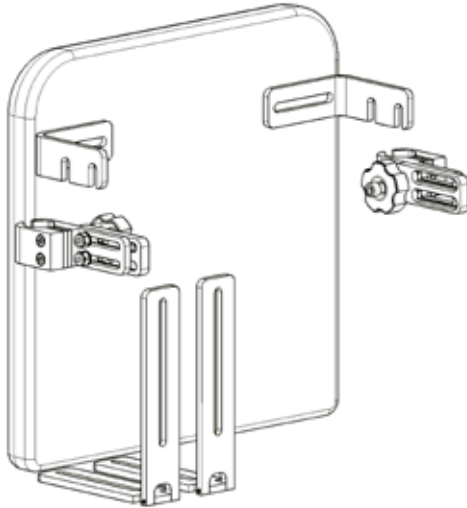
- A** - Headrest T-Nuts (1/4-20 & 3/8-16)
- B** - Mounting Hardware T-Nuts (1/4-20)
- C** - Lateral Bracket T-Nuts (1/4-20)
- D** - Seat to Back Bracket T-Nuts (1/4-20)



# Solid Backs

## 2 Point Hardware

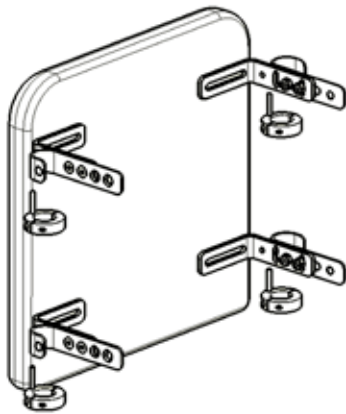
### EE2 Solid Back w/Econo-Eze Hardware



- Includes 2 each #462 frame clamps, 2 each #437A back mounting forks and 2 each #430 hinges.
- Frame clamp is universal for round tubing. Special clamps are available to fit most non-round tubing.
- Backs are cut to fit between the back posts, unless otherwise specified.
- Seat to back angle can be adjusted.

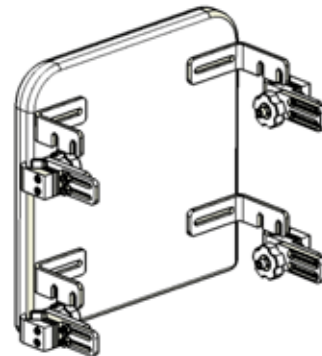
## 4 Point Hardware

### 102-4000 Solid Back w/J & L Brackets & Split Collars



- Includes 4 each #413A L-brackets, 4 each #414A J-hooks, and 4 each #403 split collar clamps.
- Allows for up to 2" of anterior adjustment plus seat to back angle adjustment.
- Cut to fit between the back posts, unless otherwise specified.
- Request stainless steel J & L's at no extra charge.
- Specify hardware to fit 1", 7/8", or 3/4" tubing.

### 102-7500 Solid Back w/Econo-Eze Hardware



- Includes 4 each #462 frame clamps and 4 each #437A back mount forks.
- Offers all the benefits of our knob release hardware with the ease of an independently mounted back.
- 4 knob release points secure the back to the frame.
- Clamps are designed to fit all 3 standard sizes of round tubing and clamps are available to fit most non-conforming tubing.
- Econo-Eze Hardware offers seat to back angle and depth adjustable hardware to fit a wide range of needs.
- Cut to fit between the back posts unless otherwise specified.



# Back Modifications

Please choose a back from previous pages to modify

## Mod-2H I Modification



- Cut in the shape of a capital "I" so trunk supports can be mounted close to chest width.
- The "I" allows for vertical adjustment of lateral trunk supports.
- Compatible with any mounting hardware.
- Standard sizes based on axilla height and chest width.

## Mod-2I Curved Wood Modification



- Compatible with all hardware except Snaplock, EZ Lite, and Micro. (For Snaplock applications, the foam can be curved).
- Backs can not exceed 22" in width or 32" in height.

## Mod-2J T Modification



- Cut in a "T" shape to allow for maximum adjustment of trunk supports.
- Compatible with any Freedom Designs seat and back combination where a hinge is used.
- Standard sizes based on axilla height and chest width.

## Mod-2K Grid Back Foam



- Standard is 2" of 4# foam attached to the base with hook and loop.
- Blocks can be as thick as needed (see price list). Custom blocks available.
- Allows for carving and removing foam as needed
- The cover comes in two pieces and the face cover is removable for total access to the foam and easy cleaning.

Mod-2K1: Includes 9 additional foam blocks in 4# or 5# foam.

Mod-2K2: Includes 9 additional foam blocks in Sunmate foam or T-foam.

Mod-2K3: Includes 9 additional foam blocks in Pudgee foam.



# Back Modifications

## Mod-2L Bi-Angular Back



- Facilitates natural spinal curvature through input at the lumbar sacral junction, which in turn facilitates improved alignment.
- Supports control of posterior pelvic tilt and head control.
- Can be used to support the thoracic spine and posterior pelvis for anterior tilt.
- Available in any width/size.
- Can be used with any mounting hardware.
- Please specify split placement.

## Mod-2LA Bi-Angular Back Covered as One Piece Bi-Angular Back

(not shown)

## Mod-2N Monogram - Ordered with a Seating System

Available Type Styles:



- Provided free of charge except when ordered with an embroidery design, Mod-2BB.
- Can be up to 18 letters.
- Thread available to match most frame colors on the market today.

Note: See **MOD-2T** on our price list for monogram charges when a seating system is not ordered.

## Mod-2S Free-Form Back (Foam-in-Place Seating)



- Provides the capability to mold the most difficult client with fixed deformities while providing aggressive positioning with thoracic supports, shoulder retractors, chest vests, and headrests.
- Standard includes 1" foam of your choice (excluding Pudgee).
- Cover has 1/4" Sunmate foam sewn inside the contact surface.
- Stretchable cover fabric is recommended.

Kit includes Sunmate chemicals, gloves, safety goggles, bag, and mixing bucket.

## Mod-2GG Ergo Adjustable Back Modification



- Features curved wood with an adjustable locking bi-angular function and adjustable locking vertical hip wings.
- Hinges feature allen head adjustment bolts allowing fine tune adjustment with the client in the chair.
- Standard setup is a bi-angular cut at 1/3 rd. of the overall back height and hip wings 3" wide.
- Stretchable cover fabric is recommended.



# Solid Backs

## Easy Conforming Backs

### EZ CONF2

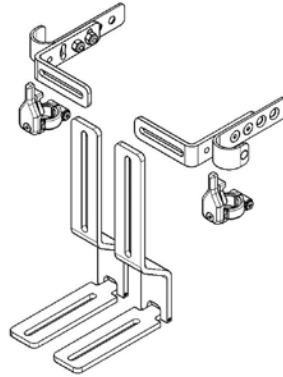
#### Easy Conforming Back– Standard

Includes 2 J/L's, Glide Locks, & Hinges



Allows contouring at the posterior and lateral planes of the trunk and hips. Used when chest and hip widths are similar. Provides lateral support at trunk and hips to stabilize lateral pelvic movement.

- Features a pre-contoured shape.
- Constructed of 5 lightweight plastic panels, connected to each other with adjustable locking hinges.
- Lateral portions can be independently positioned from a flat position to a 90° angle.
- Can be ordered standard based on frame width or custom sizes can be ordered.
- Foam: 1/2" 4# base with 1/2" medium Sunmate on the top layer.



Hardware:  
555  
520  
430A

### EZ CONF-EXT2

#### Easy Conforming Back– Extended

Includes 2 J/L's, Glide Locks, & Hinges

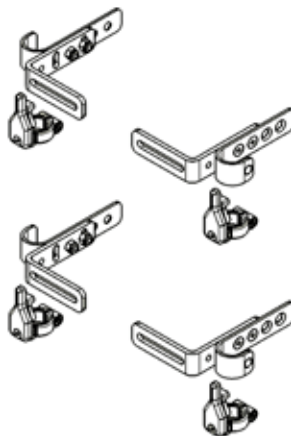


Allows contouring at the posterior and lateral planes of the trunk. Provides firm lateral trunk support with the ability to extend and reinforce laterals.

### 102-12000

#### Easy Conforming Back– Standard

Same backs and features as the EZ CONF2 and EZ CONF-EXT2 but with hardware shown below.



Hardware:  
520  
555

### 102-13000

#### Easy Conforming Back– Extended



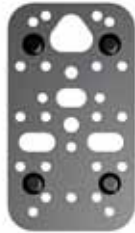


# Back Modifications

## Easy Conforming Backs

### Headrest Adapt-A-Plate Hardware 7733

**New!**



- Accepts all mainstream manufacturer's as well as Freedom Designs' headrest hardware.
- If ordered alone it will be shipped with bee stingers, if ordered with a back it will ship with t-nuts.

**No more custom T-nut patterns needed for headrests!**

### Mod-2S Free Form Back/ Foam in Place

*(See page 11)*

### Mod-2SS Laterals Upholstered Separately

*(not shown)*

### Mod-2QQ Easy Conforming Back Split Outer Wing



- Useful when more aggressive lateral trunk control is needed - especially with patient displaying increased chest depth due to mild rib rotation or spinal deformity. Also with differences in chest and hip width measurements.
- May be used with foam-in place and grid modifications.

### Mod-2UU Easy Conforming Back One Piece Fixed Wing Modification

**New!**



- Looks similar to Freedom's original Easy Conforming Back, however is a single, moderately curved wing attached to a curved back with adjustable hinges.
- Wings are constructed of Kydex, making them lightweight and durable.

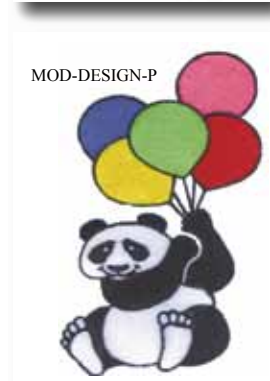
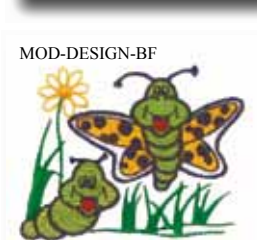
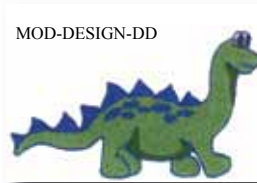
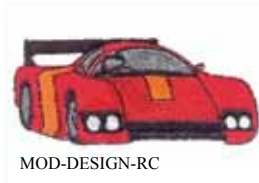
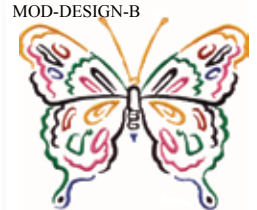
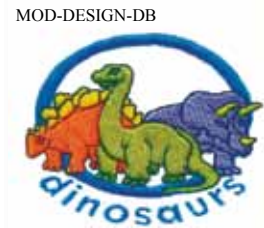
Note: **Mod 2QQ** (shown above) is available with this version of the Easy Conforming Back.



# Back Modifications

## Upholstery Designs - For all Solid Backs

**FREE** name or design on all seating purchased - with or without hardware. If both a design and a name are ordered, you pay for the name only - the design is free. Many other designs available on a custom basis.







# Medial Thigh Supports

## Medial Thigh Support Pads

Part Number

Hardware Number

### Medial Thigh Pad

#### Standard Sizes

Small:	3"L x 3"H x 3"-2" taper
Medium:	4"L x 3"H x 3"-2" taper
Large:	5"L x 4"H x 4'-2" taper
X-Large:	6"L x 5"H x 5"-3" taper



## Flip Down Medial Thigh Supports

### Medial Thigh Support with Adjustable Flip Bracket

**EE3B-2**

424-2

- Streamlined, flip down hardware allows the pad to flip under the seat, facilitating easy transfers.
- Large push button release is easy to access.
- Pad returns to the same position each time.
- Extension brackets are available for high profile cushions.
- Can be mounted to a seat pan.



### Medial Thigh Support with Adjustable Flip Bracket

**EE3E**

453A

- Depth adjustable convenience combined with flip down hardware.
- Easy access lever release hardware.
- Extension brackets are available for high profile cushions.
- Can be mounted to a seat pan.
- Can be mounted with a knob for easy removal.



## Hide Away Abductor

**EE3P**

543

- Features an easy release lever under the seat helping to facilitate transfers.
- The flip top plate comes in standard height or with an extension for high profile cushions.





# Medial Thigh Supports

## Medial Thigh Support Pads

Part Number

Hardware Number

### Push Button Flip-Down Abductor

**EE3S**

581

**New!**



- Flips completely under the cushion utilizing a spring-loaded release flip down mechanism.
- Height adjustable - alternative bracket sizes create flexibility for 1" to 5" ranges.
- Depth adjustable hardware.
- Hardware constructed of aluminum and stainless steel.

## Removable Medial Thigh Supports

### Medial Thigh Adjustable/Removable Support

**EE3A**

431



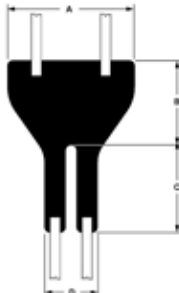
- Knob release hardware for easy slide or removal.
- Thin profile hardware permits mounting when cross tube or strut hinders other hardware.
- Extension brackets available for high profile cushions.

## Anti-Thrust Pelvic Harnesses

### Anti-Thrust Pelvic Harness

**EE3M**

- Harness sits on top of the seat under the buttocks.
- Anterior straps go between the legs and outward over the thighs and buckle near the proximal hip/thigh.
- Straps are adjustable for various degrees of tension.
- Reinforcement of straps also available.



Size Table				
Size	-A-	-B-	-C-	-D-
Small	10"	6"	6"	5"
Medium	12"	8"	8"	5"
Large	16"	12"	12"	6"
X-Large	20"	16"	16"	7"

### Reinforcement of Anti-Thrust Pelvic Harness - (EE3M)

**Mod-3L**

(not shown)

- Additional webbing sewn into the **EE3M** dynamic harness to limit overall stretch.



# Lateral Pelvic Supports (Hip Guides)

## Lateral Pelvic Supports Features:

- Fixed and removable hardware.
- Custom and/or additional foam options - (reference price list).
- Custom hardware sizes available at no upcharge.
- All lateral pelvic pad hardware mounts to solid seat.

## Pad Sizing

Please provide the following information when ordering:

Length x Height x Thickness.

Part Number

Hardware Number

Pads

### Standard Lateral Pad

#### Mod-4B (use this number when ordering pads only)

- For pads of 14" in length or more, we recommend an additional set of mounting brackets.
- Pads ordered with hardware come with t-nuts.
- Thin profile pads are available upon request at no additional charge. These pads are made with 1/4" ABS base and 1/4" neoprene foam.
- Standard pelvic/thigh support pads are constructed of 1/2" marine grade plywood with 1" of 4# foam and your choice of fabric.



### Custom Contour Lateral Pad

#### Mod-4A

- Use this pad when ordering an anti-thrust or wedge seat and you need the pads to match the contour of the seat.



## Hardware

### Lateral Pelvic Supports Solid Seat Mount (Pair)

**EE4A**

450A "L"

**EE4B**

442 1" o/s

443 2" o/s

442B 1" reverse o/s



- Specify all pad dimensions and desired offset. 1" offset is standard.
- Mounts to the bottom of the seat and features slotted L-brackets which allow for width adjustment.
- All t-nut spacing for the pad is on 1" centers.
- Extensions available for high profile cushions.



# Lateral Pelvic Supports (Hip Guides)

Part Number

Hardware Number

Hardware

## Lateral Pelvic Supports Quick Release Brackets (Pair)

**EE4C**

456A "L"  
456B 1" o/s

- Designed to quick release below the surface of a standard Freedom Designs' seat, allowing for easy transfer.
- Specify pad dimensions when ordering.
- Extensions are available for high-profile cushions.



## Hanger Mounted Knee Adductor (Pair)

**EE4D**

544

**New  
Design**

- Multi-adjustable bracket and pad.
- Swing away functionality when mounted to a swing away hanger.
- Fits 1" diameter hanger tubes





# Lateral Thoracic Supports

(Trunk Supports)

## Standard Trunk Supports Features:

- Fixed, swing-away, quick release, or summer/winter hardware.
- Custom and/or additional foam options - (Reference price list).
- Custom pad sizes available at no upcharge.
- All lateral thoracic hardware mount to solid back.
- Custom sizes and foams are available for pads (Reference price list)

Standard Pad Sizes			
FLAT PADS		CURVED PADS	
SMALL	..... 4"L X 3"H	SMALL	..... 6"L X 3"H
MEDIUM	..... 5"L X 4"H	MEDIUM	..... 7"L X 4"H
LARGE	..... 6"L X 5"H	LARGE	..... 8"L X 5"H
X-LARGE	..... 7"L X 6"H	X-LARGE	..... 9.5" L X 6"H

Part Number	Pads	
	<b>Standard Sizes</b>	
	<b>Flat Pads</b>	
	Small: 4" Long x 3" High	Large: 6" Long x 5" High
	Medium: 5" Long x 4" High	X-Large: 7" Long x 6" High
	<ul style="list-style-type: none"> <li>• Standard flat pads have a 1/2" marine grade plywood base with 1/2" of 4# foam (1" total average thickness)</li> </ul>	
	<b>Curved Pads</b>	
	Small: 6" Long x 3" High	Large: 8" Long x 5" High
	Medium: 7" Long x 4" High	X-Large: 9 1/2" Long x 6" High
	<ul style="list-style-type: none"> <li>• Standard curved pads have a Kydex base with 1/2" of 4# foam (not available on fixed hardware)</li> </ul>	
	<b>Thin Pads</b>	
	<b>Mod-5K</b>	
	<ul style="list-style-type: none"> <li>• Thin profile pads are available upon request at no additional charge. These pads have a 1/4" Kydex base and 1/4" high density neoprene foam. Pads average 3/4" thickness.</li> <li>• Thin profile pads may be ordered flat or curved. With all pads, foam is rolled over edges to ensure client comfort.</li> </ul>	

Part Number	Hardware Number	Hardware
		<b>Fixed Hardware</b>
		<b>Standard "L", 1", 2" &amp; 1" Reverse Offset Bracket (Pair)</b>
<b>EE5A</b>	450A	
<b>EE5B</b>	442 - 1" o/s	
	443 - 2" o/s	
	442B - 1" reverse o/s	
		<ul style="list-style-type: none"> <li>• Slotted at both pad and back mounting locations.</li> <li>• Flat pads are standard.</li> </ul>



# Lateral Thoracic Supports

(Trunk Supports)

## Hardware

Part Number

Hardware Number

### Fixed Hardware

#### Fixed Hardware with Summer/Winter Lateral Adjustment (Pair)

**EE5J** 442C  
443C - 1" o/s  
450C - 2" o/s

- Pull knob release width adjustment.
- Allows for removal of heavy clothing by enabling the pads to be returned to a more proximal position.
- Pads come curved unless otherwise specified.



### Swing Away Hardware

#### Locking Swing Away Hardware (Pair)

**EE5E** 455A  
455C - 1" o/s  
455D - 2" o/s

- Hardware lifts to swing away, aiding in ease of transfer and returning to the original position when locked in place.
- Micro sizes have a single slotted connecting pad bracket.
- Pads come curved unless otherwise specified.



#### Locking Swing Away Hardware with Summer/Winter Lateral Adjustment (Pair)

**EE5K** 497A  
497C - 1" offset  
497D - 2" offset

- Hardware lifts to swing away, aiding in ease of transfer and returning to the original position when locked in place.
- Designed with pull knob release width adjustment.
- Allows for removal of heavy clothing by enabling the pads to be returned to a more proximal position.
- Micro sizes have a single slotted connecting pad bracket.
- Pads come curved unless otherwise specified.



#### Locking Swing Away Hardware with Lever Release (Pair)

**EE5P** 510A  
510B - 1" o/s  
510C - 2" o/s

- Features a lever release on the underside of the hardware.
- Pads come curved unless otherwise specified.
- Dual slotted hardware allows for ample adjustment.





# Lateral Thoracic Supports

(Trunk Supports)

## Swing Away Hardware

Part Number

Hardware Number

### Swing Away Lever Release Hardware with Summer/Winter Adjustment (Pair)

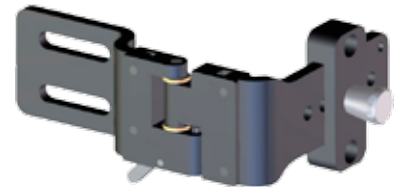
**EE5Q**

511A

511B - 1" o/s

511C - 2" o/s

- Features a lever release on the underside of the hardware
- Can be laterally quick adjusted with a quarter turn pull pin.
- Micro sizes have a single slotted connecting pad bracket.
- Pads come curved unless otherwise specified.



## Accessories and Modifications

### Anterior Trunk Support Strap (Each)

**EE5D**

- Mounts to the thoracic support pads.
- Strap and pad sizing based on chest width.



**EE5DA**

- Mounts to a solid back.
- Strap length based on chair width.
- Pad size based on chest width.



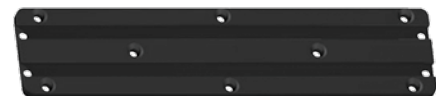
- Padded strap comes with a hook & loop and D-ring closure on EE5D and EE5DA.
- Buckle closure available on EE5D and EE5DA at no charge.

### Tracks (Pair)

**EE5I**

Sizes: Single: 3", 5", 7", 9", 11" Double: 9", 11"

- Can be added to solid backs or seats for infinite adjustability of lateral supports.
- Retrofit any solid back mount trunk supports or seat mounted lateral thigh supports.
- Dual tracks are available.



### Protective Boots (Pair)

**MOD-5F**

- Slip over the trunk support hardware to protect client from metal.
- Made of plush Lycra (Naughhyde, Nylon, and Cordura are not recommended)

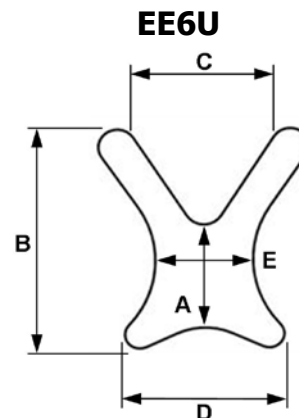
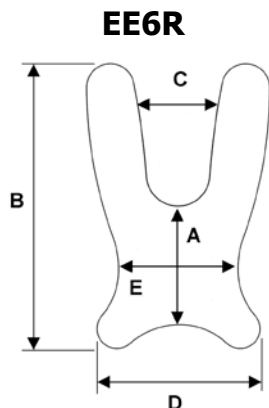


# Anterior Trunk & Shoulder Supports

## Standard Anterior Trunk Support Vest/Harness Features:

- Sizing is based on chest width.
- All vests can be made to specification when a diagram is provided.
- Plastic squeeze side release buckles come standard for ease of transfer.
- Adjustable webbing ensures a proper fit.

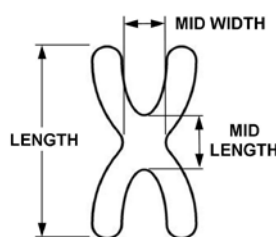
Please Note: Finished dimensions may vary slightly from charts below.



	A	B	C	D	E
XX-Small	4"	11-3/4"	3-1/4"	6-1/2"	4-1/2"
X-Small	5"	15-1/2"	4"	7-3/4"	5-1/2"
Small	6"	17"	5-1/2"	8-1/2"	6"
Medium	7-1/4"	18-1/2"	5-1/2"	10"	7-1/4"
Large	8"	20"	6"	11"	8"
X-Large	9-1/2"	21"	7-1/2"	12-3/4"	9-1/2"

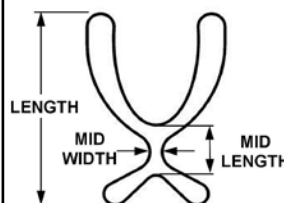
	A	B	C	D	E
X-Small	4-1/2"	10"	3-3/4"	5-1/2"	3-3/4"
Small	4-1/2"	11"	4"	7-1/4"	4-1/2"
Medium	5"	11-3/4"	4-1/4"	9"	5"
Large	5-1/2"	12-1/2"	6"	10"	6"
X-Large	6-1/4"	14-1/2"	6"	10-1/2"	6-1/2"

## EE6S



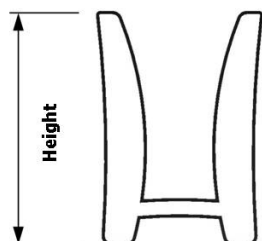
	Length	Mid Width	Mid Length
XX-Small	12-1/4"	3"	3-1/2"
X-small	13-3/4"	3"	3-3/4"
Small	15"	3"	4-1/4"
Medium	16-1/2"	3"	4-1/2"
Large	18-1/4"	3-1/2"	5-3/4"
X-Large	19"	3-1/2"	5-3/4"

## EE6V



	Length	Mid Width	Mid Length
X-Small	10"	1"	4"
Small	14"	1"	3-3/4"
Medium	16-1/2"	1"	4-3/4"
Large	19"	1"	6"
X-Large	20"	1-1/2"	7"

## EE6L Anterior/Posterior Pull Harness-Static EE6N Anterior/Posterior Pull Harness-Dynamic



- All straps can be made to specification when a diagram is provided.
- Plastic squeeze release buckles are standard for ease of transfer.
- Adjustable webbing ensures a proper fit.

### Standard Sizes

Size:	Sitting Height:
Small:.....	12" - 14"
Medium:.....	14" - 16"
Large: .....	16" - 18"





# Headrests

## Headrest Pads

Part Number

### Slight Curve Headrest Pad

**7750**

- Base constructed of 1/4" Kydex with 1" 5# foam.
- Width and height can be specified or standard sizes are available (ref below).
- Please provide upholstery type and color.



Size:	Standard Pad Sizes			Standard Sizes: Circumference	
	Outside Width:	Opening Width:	Height:		
Small	11"	5"	3-3/4"	Small:	18"
Medium	11"	6"	3-3/4"	Medium:	20"
Large	12"	6-1/2"	4"	Large:	23"
X-Large	12"	7-1/2"	4"	X-Large:	25"

### Three Piece Pad - Hinged Adjustable

**7753**

- Features 3 separate pads made up of 1/4" Kydex base with 1" 5# foam.
- Center pad has side pads attached with adjustable hinges.
- Pad designed to aid in control of ATNR and add support for poor head control.



Standard Pad Sizes		
Small:	4" x 4"	Medium: 4" x 5"
Large:	5" x 5"	

### Chubbie Headrest Pad

**7756**

- Constructed of 1/4" Kydex with 1" 10# base and 1" 4# foam on top.
- Standard upholstery is L-05. Naugahyde and nylon not available.
- Custom sizes available: Specify either width x height.



Standard Sizes:	
Small:	10"W x 4"H
Medium:	12"W x 5"H
Large:	13-1/2"W x 4-1/2"H

### Skinny Headrest Pad

**7760**

- Features a 1/4" Kydex base with 1/2" medium Sunmate foam.
- Foam is rolled over edges of base for skin protection.
- Standard upholstery is L-05.
- Zipper allows access to the foam.
- Custom sizes available. Specify either width x height.



Size:	Width:	Height:	Depth:
Small	8"	4-1/2"	2-1/2"
Medium	10"	4-1/2"	2-1/2"
Large	12"	4-1/2"	2-1/2"
X-Large	14"	4-1/2"	2-1/2"



# Headrest Hardware

## Headrest Hardware

Part Number

### Vertical & Depth Adjustable Hardware

#### 7700

- Vertically removable and height adjustable with a star knob.
- Offers both anterior and posterior adjustments.



### Multi-Adjustable Removable Hardware

#### 7701

- Features a ball and socket style mounting. Ball allows for unlimited pad positioning while the long rod provides ample anterior adjustment capability.
- Height adjustment is provided by a pull knob release that allows for removal.



### Flip Back Hardware Long Post/Multi Axial Mount

#### 7703

- Features a ball and socket-style mounting. Ball allows for unlimited pad positioning while the long rod provides ample anterior adjustment capability.
- Flip back hardware is mounted to a vertical track for ease of height adjustment.



### Rock & Roll Headrest Hardware

#### 7708

- Features 2 knuckle joints that allow for multi-axial adjustment in the mid-sagittal plane.
- Reinforced with 2 bolts at each knuckle joint to prevent slippage.
- Hardware is mounted to a horizontal track allowing for incremental placement.
- Cannot interface with 7763 pads.





# Headrest Hardware

Part Number

## Rock & Roll Flip Back Headrest Hardware

**7709**

- Hardware features easy flip down release functionality and a self-locking reengagement mechanism.
- Two knuckle joints allow for multi-axial adjustment in the mid-sagittal plane.
- Reinforced with 2 bolts at each knuckle joint to prevent slippage.
- Hardware is mounted to a vertical/horizontal track allowing for incremental placement.
- Cannot interface with 7762 pads.



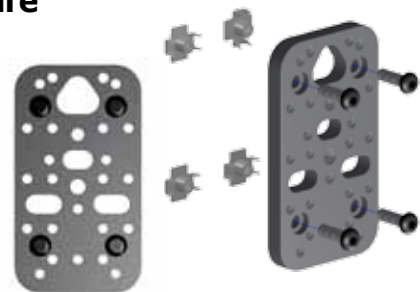
## Headrest Adapt-A-Plate Hardware

**7733**

**New!**

- Accepts all mainstream manufacturer's as well as Freedom Designs' headrest hardware.
- If ordered alone it will be shipped with bee stingers, if ordered with a back it will ship with t-nuts.

**No more custom T-nut patterns needed for headrests!**

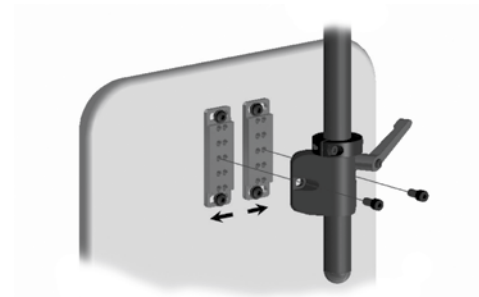


## Platemate

**77 Platemate**

- Adapts most manufacturer's (i.e. Whitmyer, Otto Bock, etc) headrests to Freedom Designs' seating systems.
- Mounts directly to the back and is adjustable in width from 3/4" to 2-1/4".

**No more custom T-nut patterns needed for headrests!**





# Extremity Supports

## Upper Extremity Supports

**09-4000**  
**Arm Trough w/ T-Nuts (Each)**

**New!**



- Constructed of 1/4" Kydex - strong yet lightweight.
- T-nuts are 1" increments.
- Can be custom molded using a hot air dryer.
- Curved to protect and keep the forearm in place.
- Elbow stop keeps the arm stationary while tilted or reclined.
- Padded wrist strap with hook and loop available
- Features a soft, durable Lycra covered neoprene liner which reduces shearing and draws away moisture for increased skin integrity management.

**Available lengths: 10", 12", 14", 16", 18"**

**09-2000**  
**Arm Trough w/ T-Nuts (Each)**



- Constructed of 1/4" Kydex - strong yet lightweight.
- T-nuts are 1" increments.
- Nylon and cordura fabrics cannot be used.
- Please specify size when ordering.
- Custom arm troughs can be made to fit exact client size when dimension of forearm, palm length, and finger length are provided.
- Features 1" nylon webbing straps with faux sheepskin covers.
- Hook and loop straps or buckle closure are standard.

Small/Pediatric		Medium/Adolescent		Large/Adult	
Total length:	12"	Total length:	17"	Total length:	19"
Total width:	4.5"	Total width:	5"	Total width:	5"
Elbow stop height:	3"	Elbow stop height:	3.25"	Elbow stop height:	3.25"
Wrist rise:	2"	Wrist rise:	2"	Wrist rise:	2"



# Extremity Supports

## Lower Extremity Supports

### EE8 Solid Calf Panel (Each)



Hardware:  
405A  
436

- Features a solid base of 1/2" marine grade plywood with 1" of 4# foam.
- Your choice of fabric and color (excluding nylon and cordura) on the calf panel.
- Width is based on width of the chair.
- All calf panels are cut to fit between the hangers unless otherwise specified.
- Includes 4 each 1" drop hooks and 30° clamps. Quick release hardware is available at a minimal up charge.
- Please specify height of calf panel.

### EE8A Fabric Calf Panel (Each)



Available in two styles:

1. Built with a center pad of 1" 4# foam with webbing and hook and loop mounting that wraps around the hangers. Choice of fabric and color.
  - Pad size based on chair width.
  - Please specify chair width and provide sling height when ordering.
2. Constructed entirely of fabric with hook and loop closure that wraps around the hangers.

### EE8B Calf Strap (Each)

- Strap is made entirely of 2" webbing.
- Strap attaches with hook & loop closure that wraps around the hangers.
- Please specify the chair width.



### EE9 Shoe Holder with Hook and Loop Closure (Pair)

- Available in six sizes. (Custom sizes not available.)
- Single D-ring closure with hook and loop allows for added adjustability.
- Ankle strap has a removable pad in your choice of fabric and color. (F-03 will be supplied if no preference is stated.)
- Standard toe strap is unpadding. Padding available upon request at no additional cost.



### EE9C Shoe Holder with Buckles (Pair)

Shoe Holder Foot Size Chart

	Outside Length:	Outside Width:	Inside Width:
Small:	5"	2-3/4"	3-1/2"
Small/Med:	5-3/4"	3"	3-3/4"
Medium:	6-1/2"	3-1/4"	4"
Med/Lrg:	7-1/4"	3-1/2"	4-1/4"
Large:	8"	4-5/16"	5"
XLrg:	10"	5-1/4"	4-1/2"



# Extremity Supports

## Lower Extremity Supports - Con't

### EE9B Hi-Tops - Static (Pair)

Standard Sizing:

	Webbing:	Ankle Circumference:
X-Small:	1"	5-1/2" - 8-1/2"
Small:	1"	7-1/2" - 10-1/2"
Medium:	2"	9-1/2" - 12-1/2"
Large:	2"	11-1/2" - 14-1/2"



- Provides ankle support as well as foot positioning.
- The sturdy padded soft supports are constructed of Cordura and 1" nylon webbing with leather reinforcement.
- Standard hi-tops have hook and loop with a single D-ring closure.
- Cam or squeeze release buckle closures available at no extra charge.

### EE9B-D - Hi-Tops - Dynamic (Pair)

Same as EE9B however constructed of neoprene stretch material.

**New!**

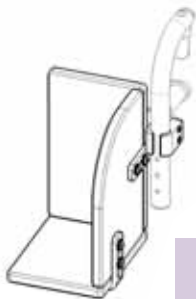
### EE9H Foot & Ankle Positioner (Pair)

- Can be mounted directly to the footplate.
- Straps provide a range of adjustability.
- Slots for straps allow for accommodating various lower extremity deformities.

Small	4-1/2" x 7-1/2"
Medium	5" x 9"
Large	5-1/2" x 10"



### 08-10000 Individual Leg Cradle (Each)



Hardware  
521

- A layer of 1/2" 4# foam is secured to the inside panels.
- Choice of color and fabric (excluding cordura and nylon).
- No standard sizes - width is based on chair width. Cut to fit between the hangers. Please specify height and depth of cradles or box.
- Please indicate hanger mount, foot plate mount, or mounting under solid seat with L-brackets.

### 08-11000 One Piece Double Leg Foot Box (Each)



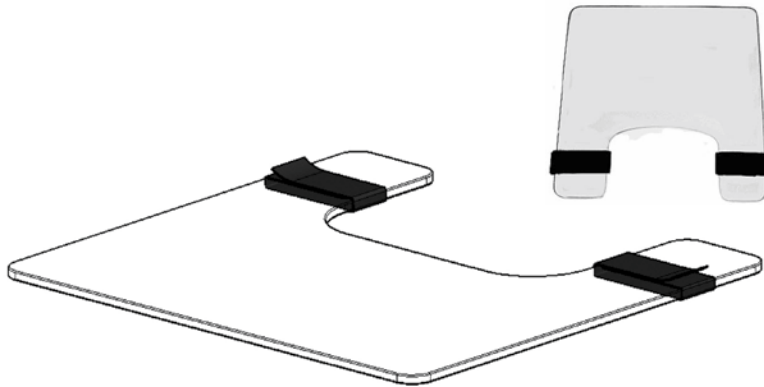
Hardware  
415A  
403  
450A

Part Number

## Lexan Tray with Hook & Loop Mounting

### 08-1000

- Mounts with hook and loop and secures around the armrest.
- Closure fits most standard armrests. If longer hook and looped is needed, please specify overall length.



Chair Width:	Tray Size:	Body Cut Out:
10"	18" W x 18" D	9" W x 7" D
11"	19" W x 18" D	10" W x 7" D
12"	20" W x 20" D	11" W x 7" D
13"	21" W x 20" D	12" W x 7" D
14"	22" W x 22" D	13" W x 9" D
15"	23" W x 22" D	14" W x 9" D
16"	24" W x 24" D	15" W x 10" D
17"	25" W x 24" D	16" W x 10" D
18"	26" W x 24" D	17" W x 10" D
19"	27" W x 24" D	18" W x 10" D
20"	28" W x 24" D	19" W x 10" D

Larger tray sizes available at no extra charge.

## Lexan Tray with Channel Brackets & Ribs

### 08-2000

- Aluminum channel brackets slip over both tubular and desk style arms, allowing for easy slide on/off mounting.
- Minimum width adjustment in the hardware requires chair width and armrest style to ensure proper fit.
- Hardware can be sent unmounted and the tray undrilled, to allow correct hardware placement in the field.
- Features aluminum ribs on front edge and 2/3 of tray sides.



Note: Attaching a rear stability belt is recommended for chairs in forward or mid-wheel configuration only.

Chair Width:	Tray Size:	Body Cut Out:
10"	21-1/4" W x 18" D	11" W x 7" D
11"	22-1/4" W x 18" D	12" W x 7" D
12"	23-1/4" W x 20" D	13" W x 7" D
13"	24-1/4" W x 20" D	14" W x 8" D
14"	25-1/4" W x 22" D	15" W x 9" D
15"	26-1/4" W x 22" D	16" W x 9" D
16"	27-1/4" W x 24" D	17" W x 10" D
17"	28-1/4" W x 24" D	18" W x 10" D
18"	29-1/4" W x 24" D	19" W x 10" D
19"	30-1/4" W x 24" D	20" W x 10" D
20"	31-1/4" W x 24" D	21" W x 10" D

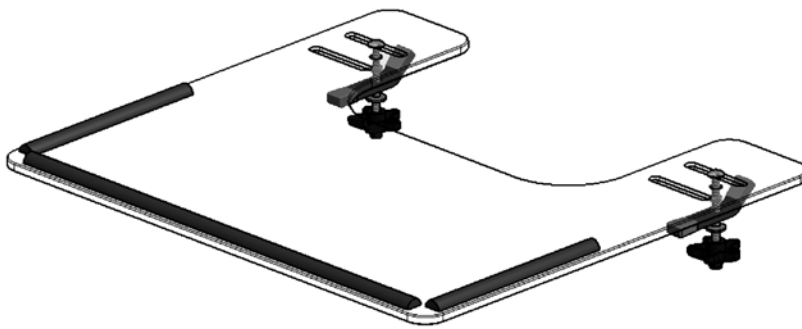
Larger tray sizes available at no extra charge.

Part Number

## Lexan Tray with Adjustable Knob Release & Ribs

**08-6000**

- Hardware enables a secure lock down of the tray. Large star knobs facilitate quick and easy transfers.
- The tray is slotted, allowing for ample width adjustment to ensure proper fit.
- Slotted mounting requires 5" of lexan be present on both sides of the tray.
- Features aluminum ribs on front edge and 2/3 of tray sides.



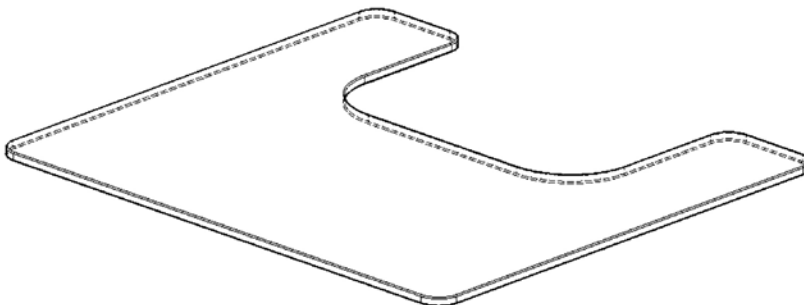
Chair Width:	Cut Out:	Depth:
10"-11"	21" W x 18" D	10" W x 7" D
12"-13"	21" W x 18" D	12" W x 7" D
14"-15"	24" W x 22" D	14" W x 9" D
16"-17"	26" W x 24" D	16" W x 10" D
18"-19"	28" W x 24" D	18" W x 10" D

Larger tray sizes available at no extra charge.

## Lexan Tray without Hardware

**08-8000**

- Allows for mounting own hardware or use of existing hardware.



Chair Width:	Tray Size:	Body Cut Out:
10"	18" W x 18" D	9" W x 7" D
11"	19" W x 18" D	10" W x 7" D
12"	20" W x 20" D	11" W x 7" D
13"	21" W x 20" D	12" W x 7" D
14"	22" W x 22" D	12" W x 10" D
15"	23" W x 22" D	14" W x 10" D
16"	24" W x 24" D	15" W x 10" D
17"	25" W x 24" D	16" W x 10" D
18"	26" W x 24" D	17" W x 10" D
19"	27" W x 24" D	18" W x 10" D
20"	28" W x 24" D	19" W x 10" D

Larger tray sizes available at no extra charge.

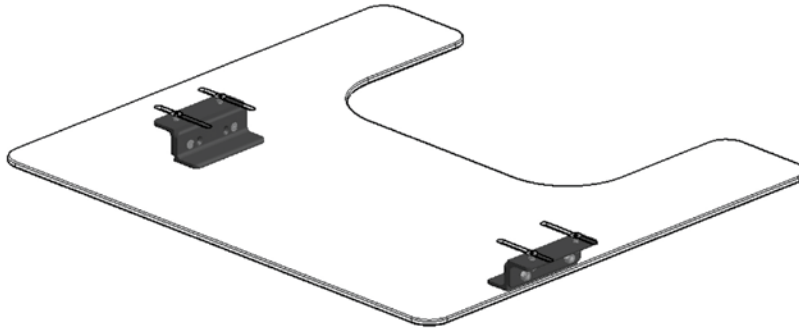


Part Number

## EZ-Lite Lexan Tray

### 08-12000

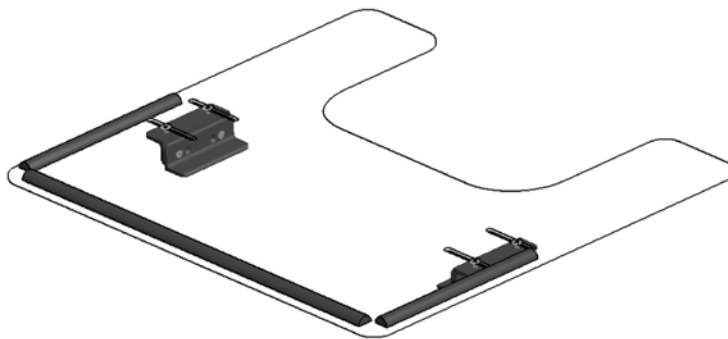
- A lightweight tray made of 1/4" thick lexan with aluminum channels designed to fit on either padded or foam grip style armrests.



## Lexan Tray with Rib

### 08-13000

- Same as the standard 08-12000 EZ-Lite Tray except it features ribs on the leading edges and front 2/3 of the tray's sides.



Chair Width:	Tray Size:	Body Cut Out:
10"	20" W x 18" D	11" W x 7" D
11"	21" W x 18" D	12" W x 7" D
12"	22" W x 20" D	13" W x 7" D
13"	23" W x 20" D	14" W x 8" D
14"	24" W x 22" D	15" W x 9" D
15"	25" W x 23" D	16" W x 9" D
16"	26" W x 24" D	17" W x 10" D
17"	27" W x 24" D	18" W x 10" D
18"	28" W x 24" D	19" W x 10" D
19"	29" W x 24" D	20" W x 10" D
20"	30" W x 24" D	21" W x 10" D

Larger tray sizes available at no extra charge.



# Tray Modifications

Part Number

## Rear Stability Belt (Each)

### Mod-8J

- Designed to mount to the tray, providing additional security for the client.
- 1" webbing straps with a squeeze release plastic buckle enables easy transfer.
- Strap length is based on chair width.

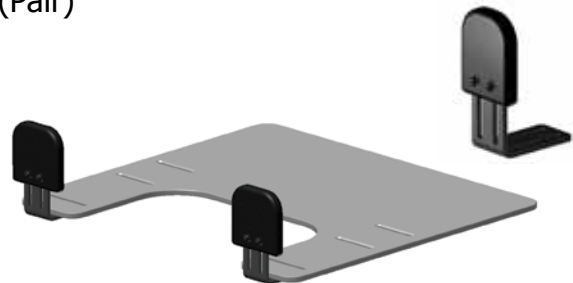
Note: Attaching a rear stability belt is recommended for chairs in forward or mid-wheel configuration only.



## Elbow Blocks (Pair)

### Mod-8K

- Constructed of 1/2" marine grade plywood and 1/2" of 4# foam.
- Pads mount to the tray with dual slotted L-brackets.
- Standard size is 5" WIDE x 4" high. Custom sizes available at no extra charge.
- Please provide length x height dimensions when ordering.
- Can also be laterally mounted by request.



Shown mounted on an 08-6000 tray

## Tray Pad - Top Only (Each)

### Mod-8L

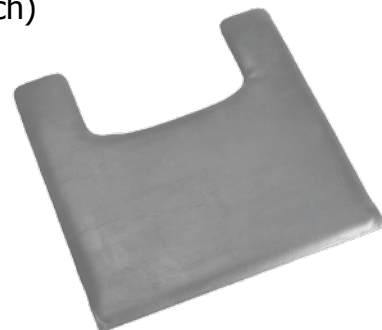
- Attaches with hook and loop to the bottom surface of the tray.
- Features 1/2" of 4# foam with your choice of fabric and color. (Naugahyde is recommended for long wear and easy cleaning.)



## Pad Tray - Top & Bottom (Each)

### Mod-8L1

- Padding attaches to the tray with hook and loop.
- Entire tray top is padded and the bottom of the tray is padded to the body cut out.
- Choice of fabric and color. (Naugahyde is recommended for long wear and easy cleaning.)





# Tray Modifications

Part Number

## Pad - Half Tray (Each)

### Mod-8M

- Pads the rear of the tray to the body cut out.
- Can also be used to pad the anterior portion of the tray.
- Tray portion attaches to the tray top and bottom with hook and loop.



Tray sold separately

## Tray Ribs - Wood, Lexan, Aluminum (Set)

### Mod-8N

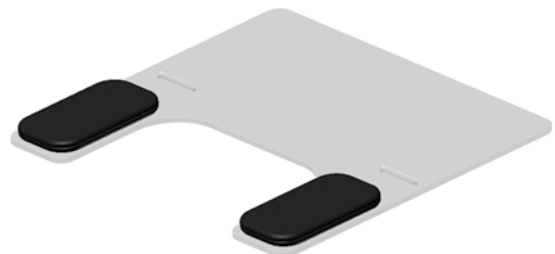
- Can be mounted to any tray surface.
- Ribs are constructed of half rounded material for a smooth and edge-free contact area.
- Available in wood, lexan, and aluminum. (Aluminum will be shipped if no preference is specified)
- Additional ribs are available to purchase off tray. Specify tray size or rib length needed.



## Elbow Pads with Hook and Loop Mounting (Pair)

### Mod-8O

- Pads are mounted to the tray surface with hook and loop.
- Features a 1" layer of 4# foam and your choice of fabric and color.
- Opposing hook and loop will be sent to attach to tray. Specify size.
- Standard sizes are available based on tray size.

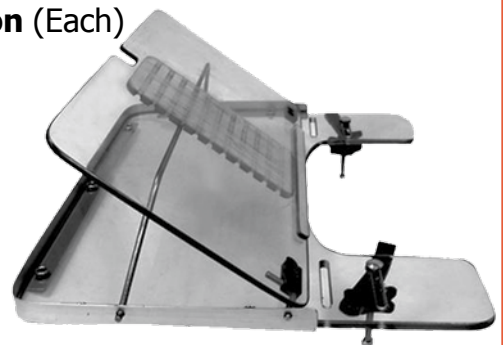


Tray sold separately

## Removable Easel Modification (Each)

### Mod-8R

- Designed to provide a multi-angle, adjustable, elevating surface.
- When not in use, the easel can be removed to provide a flat tray surface for feeding or other learning skills.
- Easel size is proportional to the size of the tray.



Tray sold separately



# Auxiliary Device Holders

## 11-1000 Vent Tray



- Constructed of a phenolic base and aluminum frame.
- A solid cover is secured to the phenolic surface for added equipment safety.
- Tray is T-nutted to allow for adjustment.
- Tray width is based on chair width. Trays are cut to fit between the rails.
- Depth of the tray is proportional to chair depth.
- Custom sizes available.

- Mounts to the lower frame rails with 1" drop hooks and 30° clamps.

If batteries do not fit on the vent tray, a 2nd battery tray should be ordered. Please specify size.

## 11-1000C Vent Tray w/Hinged Quick Release



- Mounts with J-hook, hinged L-bracket and quick release frame clamps.

## 11-3000 O2 Tank Holder - Aluminum

- Designed to fit most standard round O2 tanks. (Not useable on liquid O2 tanks).
- Made of one piece construction and mounts to a solid back.
- Star knobs tighten down to hold the tank securely in place.
- Available in one size only.



## Mod-11A O2 Tank Holder Strap

(Only available for 11-3000 & 11-3000A)

- Features an oval ring with webbing flanges and fastex buckles.
- The oval ring goes over the vertical post of an O2 tank and the webbing ends with a male fastex buckle.
- Features a female side of the buckle and webbing which attaches to the tank holder.
- Upon connecting the fastex buckles and pulling the webbing tight, the O2 tank is secure from vertical movement during transport.

## 11-3000A O2 Tank Holder, Aluminum - No Hardware

## 11-4000 I.V. Pole - Quick Release

- Designed to clamp to a 1", 7/8", or 3/4" round back post.
- Large star knob allows for quick vertical adjustment as well as easy quick release.



## 11-5000 Battery Tray

- Aluminum with non-removable attachment hardware.



## 11-6000 Battery Tray w/Quick Release

- Aluminum with removable attachment hardware. (not shown)



# Upholstery Fabrics/Colors

No LATEX is present in any Freedom Designs' fabric.

## Cordura (C Series)

NUMBER	NAME
C-07	ROYAL BLUE
C-16	BLACK
C-17	DARK BLUE
C-21	BURGUNDY

## Darlex/Dartex (D Series)

NUMBER	NAME
DL-1	DARLEX BLACK
DT-2	DARTEX BLACK
DT-2R	DARTEX BLACK REVERSE

## Kids Naugahyde (K Series)

NUMBER	NAME
K-06	PLUM
K-09	BRIGHT YELLOW
K-10	BRIGHT GREEN
K-13	RASPBERRY
K-14	SPARKLE BLUE
K-15	SPARKLE BLACK
K-16	SPARKLE RED
K-17	SPARKLE PURPLE

## Airmesh (Black Only)

NUMBER	NAME
AM-10	AIRMESH NO LINER
AM-11	AIRMESH W/LINER

## Nylon/Sailcloth (N Series)

NUMBER	NAME
N-05	BLACK
N-11	ROYAL BLUE
N-20	NAVY BLUE

## Lycra/Neoprene (L Series)

NUMBER	NAME
L-05	BLACK
L-06	SILVER
L-13	ROYAL BLUE
L-14	BRIGHT RED
L-15	TURQUOISE
L-18	BRIGHT PURPLE
L-19	BURGUNDY
L-20	DARK BLUE
L-23	FOREST GREEN

## Naugahyde (F Series)

NUMBER	NAME	NUMBER	NAME	NUMBER	NAME
F-01	ACORN	F-61	DARK BLUE SHELTERLITE	F-120	CAPRI BLUE
F-03	BLACK	F-62	BLACK SHELTERLITE	F-121	CHIVE
F-04	DARK BLUE	F-73	CROCUS	F-122	APRICOT
F-06	OFF WHITE	F-75	SPACE BLUE	F-123	IRIS
F-07	BUCKSKIN	F-76	GRAY MIST	F-124	SHIMMER
F-09	ROYAL BLUE	F-80	MARINE	F-125	OCEAN BLUE
F-10	SKY BLUE	F-81	ORCHID	F-126	SILVER
F-12	LIGHT BLUE SHELTERLITE	F-85	MACAW	F-127	GOLD
F-14	MOCHA	F-92	DEEP BLUE	F-128	COPPER
F-15	NAVY BLUE	F-94	NAVY	F-129	CHAMELEON
F-16	NUTMEG	F-96	CARBON	F-130	CINNAMON
F-19	EARTHSTONE	F-102	SAND GRAPE	F-131	FREESIA
F-21	FOREST GREEN	F-107	LUXOR BLUE	F-132	LAVA
F-24	EMERALD GREEN	F-108	BLUEGRASS	F-133	MIDNIGHT
F-25	BURGUNDY	F-109	ORANGE KISS	F-134	SPEARMINT
F-26	DUSTY ROSE	F-110	PURPLE NAVY	F-135	SPRUCE
F-28	BRIGHT RED	F-111	SAPPHIRE	F-136	REFLECTION BLUE
F-29	PLATINUM	F-112	PURPLE PASSION	F-137	TEAL WAVE
F-32	PEACH	F-113	MEDIUM BLUE	F-138	BASIN BLUE
F-35	LAVENDER	F-114	ZODIAC CASCADE	F-139	FRENCH BLUE
F-36	PURPLE	F-116	VALLEY	F-140	LILAC
F-38	TURQUOISE	F-117	ORANGE SIZZLE	F-141	PINK
F-42	SOFT GRAY	F-118	LIME PUNCH		
F-51	SEA FOAM SPLASH	F-119	ROSALEE		



# Custom Foams

## Density:

Density refers to the weight per cubic foot. For instance: A cubic foot of #4 foam weighs 4 pounds.

## I.L.D.:

Indentation Load Density shows how supportive the foam will function at different degrees of compression. The higher the I.L.D. rating, the more support provided.

## H.R. Foams:

High resiliency foams are open cell, polyurethane foams. They retain their characteristics for a longer period of time. H.R. foams are available in 4# and 5# densities. Ideal for a top layer, particularly well suited for small children.

## Descriptions

### High Density: (HIGHD) - 4#

70 I.L.D. for medium flotation and good stability. 4# density (high density). Has adequate integrity to hold a cut out well. Functions well as a top layer, with a cut out or as a base layer for softer foam.

### Tufoat: (TUF) - 5#

90 I.L.D. for medium to high flotation and excellent stability. 5# density (extra-high density). 5# foam is good for a bottom layer in laminations and good for a top layer with a cut out.

### Durafoat II: (DURA) - 10#

10# Density and 140 I.L.D. for heavy duty flotation and hard uses. Neoprene foam is heavy duty foam known for its long life span. It is perfect for a base layer for seating clients that exceed 200 pounds. It has an extremely long life and will last for years.

### Pudgee: (PUDG)

A solid, gel like foam for the ultimate in penetrability and conformation. Pudgee has an open-celled structure, visco-elastic gel foam with a unique dough like consistency. This foam will mold to the body and provides maximum conformity with minimum tension. It conforms slowly and is firm while providing compression. Reduces skin sheer.

### Sunmate: (SUN) - 5#

A high density 100% open cell foam of 5 lbs. per cubic foot density. Foam provides high impact absorption properties. Contours slowly providing 100% shock absorption with excellent distribution. Available in Soft, Medium, and Firm densities.

### T-Foam: (T-FOAM)

A temperature sensitive foam that conforms to the body. T-Foam is a high density 100% open cell polyurethane foam and has high impact absorption properties. Temper Foam is available in X-Soft, Soft, Medium, and Firm densities. This foam offers up to 97% impact absorption without bottoming out to uniformly distribute pressure yet provides firm support. Makes an ideal top layer in a lamination with 4# and 5# cushion as a base.

### Free Float: (FREE)

A solid gel for the ultimate in permeability and conformation. Free Float has a closed cell structure with a visco-elastic gel consistency. This foam can be punctured, however it is adequately self gravitating to heal itself, never leaking. Great as a top layer for pressure relief. Should be used in combination with a dense base foam. Available in 1/2" thickness only and a maximum size of 18"x16". A stretch cover is suggested.

### Waffle Free Float: (WAFFLE)

A solid gel with 1" x 1" blocks on the surface for the ultimate in penetration and conformation. Waffle Free Float has a closed structure with a visco-elastic gel consistency. This foam can be punctured, however it is self gravitating to heal itself, never leaking. The waffle surface breaks up the resistance for the patient comfort and provides a great top layer for pressure relief. Should be used in combination with a dense base foam. Available in 1/2" thickness only with maximum sizing of 18" x 16". A stretch cover is suggested.



# Limited Warranty

## Freedom Designs, Inc. Limited Warranty

**PLEASE NOTE: THE WARRANTY BELOW HAS BEEN DRAFTED TO COMPLY WITH U.S. FEDERAL LAW APPLICABLE TO PRODUCTS MANUFACTURED AFTER JULY 4, 1975. THIS WARRANTY IS EXTENDED ONLY TO THE ORIGINAL PURCHASER/USER WHO PURCHASES THIS PRODUCT WHEN NEW AND UNUSED DIRECTLY FROM FREEDOM DESIGNS OR AN AUTHORIZED DEALER OR DISTRIBUTOR. THIS WARRANTY GIVES SPECIFIC LEGAL RIGHTS AND YOU MAY ALSO HAVE OTHER LEGAL RIGHTS WHICH VARY FROM STATE TO STATE, OR COUNTRY TO COUNTRY.**

**Limited Warranty – USA:** All Freedom Designs' wheelchair frames, quick release axles and hardware are warranted against defects in material and workmanship for five (5) years from the date of purchase. All other manufactured and distributed parts and components (including frame components, axle plates, armrests and backrests) are warranted for one (1) year from said purchase date. There is no warranty for tires, tubes, and push handle grips. If within such warranty periods any product component eligible for coverage under this warranty shall be proven to be defective, Freedom Designs will, at its option, either replace or repair the product with new or refurbished product components, or will supply the original purchaser with replacement product components, which may be either new or refurbished. Freedom Designs' sole obligation and your exclusive remedy under this warranty shall be limited to such repair and/or replacement. This warranty does not include any labor or shipping charges incurred in replacement part installation or repair. Moreover, the warranty period of the repaired or replaced product component shall terminate with the termination of the warranty period for the original product component Freedom Designs' sole obligation and your exclusive remedy under this warranty shall be limited to such repair and/or replacement.

**Limited Warranty - International:** All Freedom Designs' wheelchair frames & quick release axles are warranted against defects in material and workmanship for five (5) years from the date of purchase. All other manufactured and distributed parts and components (including frame components, axle plates, armrests and backrests) are warranted for one (1) year from said purchase date. All hardware is warranted for two (2) years after the date of purchase. There is no warranty for tires, tubes, and push handle grips. If within such warranty periods any product component eligible for coverage under this warranty shall be proven to be defective, Freedom Designs will, at its option, either repair or replace the product with new or refurbished product components, or will supply the original purchaser with replacement product components, which may be either new or refurbished. Freedom Designs' sole obligation and your exclusive remedy under this warranty shall be limited to such repair and/or replacement. This warranty does not include any labor or shipping charges incurred in replacement part installation or repair. Moreover, the warranty period of the repaired or replaced product component shall terminate with the termination of the warranty period for the original product component. Freedom Designs' sole obligation and your exclusive remedy under this warranty shall be limited to such repair and/or replacement.

**Limitations & Exclusions – USA & International:** The foregoing limited warranties shall not apply to: Tires, tubes and push handle grips; Serial numbered products if the serial number has been removed or defaced; Products subjected to negligence, accident, improper operation, maintenance, or storage; Products modified without Freedom Designs' express written consent including, but not limited to, modification through the use of unauthorized parts or attachments; Products damaged by reason of repairs made to any component without the specific consent of Freedom Designs, or to products damaged by circumstances beyond Freedom Designs' control; Problems arising from normal wear or failure to adhere to these instructions; and with any such warranty eligibility evaluation to be solely determined by Freedom Designs;.

**THE FOREGOING LIMITED WARRANTIES ARE EXCLUSIVE AND IN LIEU OF ANY OTHER WARRANTIES WHATSOEVER, WHETHER EXPRESS OR IMPLIED, INCLUDING THE IMPLIED WARRANTIES OF MERCHANTABILITY AND FITNESS FOR A PARTICULAR PURPOSE, AND THE SOLE REMEDY FOR VIOLATIONS OF ANY WARRANTY WHATSOEVER SHALL BE LIMITED TO REPAIR OR REPLACEMENT OF THE DEFECTIVE PRODUCT PURSUANT TO THE TERMS CONTAINED HEREIN. THE APPLICATION OF ANY IMPLIED WARRANTY WHATSOEVER SHALL NOT EXTEND BEYOND THE DURATION OF THE EXPRESS WARRANTY PROVIDED HEREIN. FREEDOM DESIGNS SHALL NOT BE LIABLE FOR ANY CONSEQUENTIAL OR INCIDENTAL DAMAGES WHATSOEVER. THESE WARRANTIES SHALL BE EXTENDED TO COMPLY WITH STATE PROVINCIAL LAWS AND REQUIREMENTS.**

**Returns:** An authorization for return must be acquired by an established Freedom Designs, Inc. dealer/distributor before Freedom Designs will accept returned items. The dealer must return items to Freedom Designs, 2241 N. Madera Rd, Simi Valley, CA 93065 USA with freight pre-paid and fully insured with the R.A. # issued by customer service marked on the outside of the box. All returns must be received within 45 days of issuance of the R.A. #. Returns are subject to examination at the discretion of Freedom Designs and may be subject to a 25% restocking fee. Custom fabricated products are non-returnable.

February 2010



**FREEDOM DESIGNS  
INCORPORATED**

Freedom Designs, Inc  
2241 N Madera Rd • Simi Valley, CA 93065 • USA  
Phone: 800-331-8551 Fax: 888-582-1509  
Email: [customerservice@freedomdesigns.com](mailto:customerservice@freedomdesigns.com)  
Website: [www.freedomdesigns.com](http://www.freedomdesigns.com)