

PARTS MANUAL

Freedom SP3



FREEDOM DESIGNS, INC.

CE

2241 N. Madera Rd. Simi Valley, CA 93065 • (800) 331-8551 • FAX (888) 582-1509
www.freedomdesigns.com

01282010

Terms & Conditions

Dealer Accounts & Terms

A Freedom Designs, Inc. dealer application must be completed and approved before an account can be established. Freedom Designs standard terms for open accounts are net 30 days, unless other terms are agreed upon. Completed orders will not be shipped and new orders will not be processed on accounts with outstanding balances over 60 days.

Ordering

Orders may be placed over the telephone, faxed, mailed or e-mailed into the Customer Service Department. Measurement forms are provided in the catalog to assist in ordering. Phone orders must be followed up with a hard copy confirming P.O. For any questions, please call Customer Service.

Published Prices

Prices are subject to change without prior notice.

Price Quotes

If requested, customer service will provide a written quote on products. Written quotes will be valid for 60 days.

Shipping

All Freedom Designs, Inc. products are shipped ground, FOB Simi Valley. Freight charges on factory installs may apply on wheelchairs not manufactured by Freedom Designs, Inc. For requests of special handling or exceptional freight, up-charges will be billed.

Returns

All returns must have a Return Authorization Number on the box and must be shipped freight pre-paid. Product received without a valid R.A. # will be refused. The R.A. # must be obtained from the Customer Service Department. All returns MUST be received in the factory within 45 days of issuance of the R.A. #. Returns are subject to examination at the discretion of Freedom Designs, Inc. Returns may be subject to a 25% restocking fee. Custom fabricated products may not be returned.

Cancellations

Prior to canceling an order, a valid cancellation number must be obtained from Freedom Designs Customer Service Department. Restocking charges will occur on orders in progress and will be assessed based on the stage of completion. Custom fabricated products will be charged at 100%.

Errors & Omissions

All Freedom Designs products are quality controlled prior to shipping. However, should there be a problem, it must be reported to Customer Service within three weeks of receipt of order for resolution.

Liability

Freedom Designs, Inc. is not responsible for any product used incorrectly or with the wrong application. We recommend that positioning products be used in conjunction with a team of professionals that have been involved with the evaluation of the client. Freedom Designs, Inc. is responsible for any product that is defective in manufacturing or that was made in error by Freedom Designs, Inc.

Hours of Business

*Customer Service: Monday through Friday
6:00 a.m. to 5:00 p.m. PST*

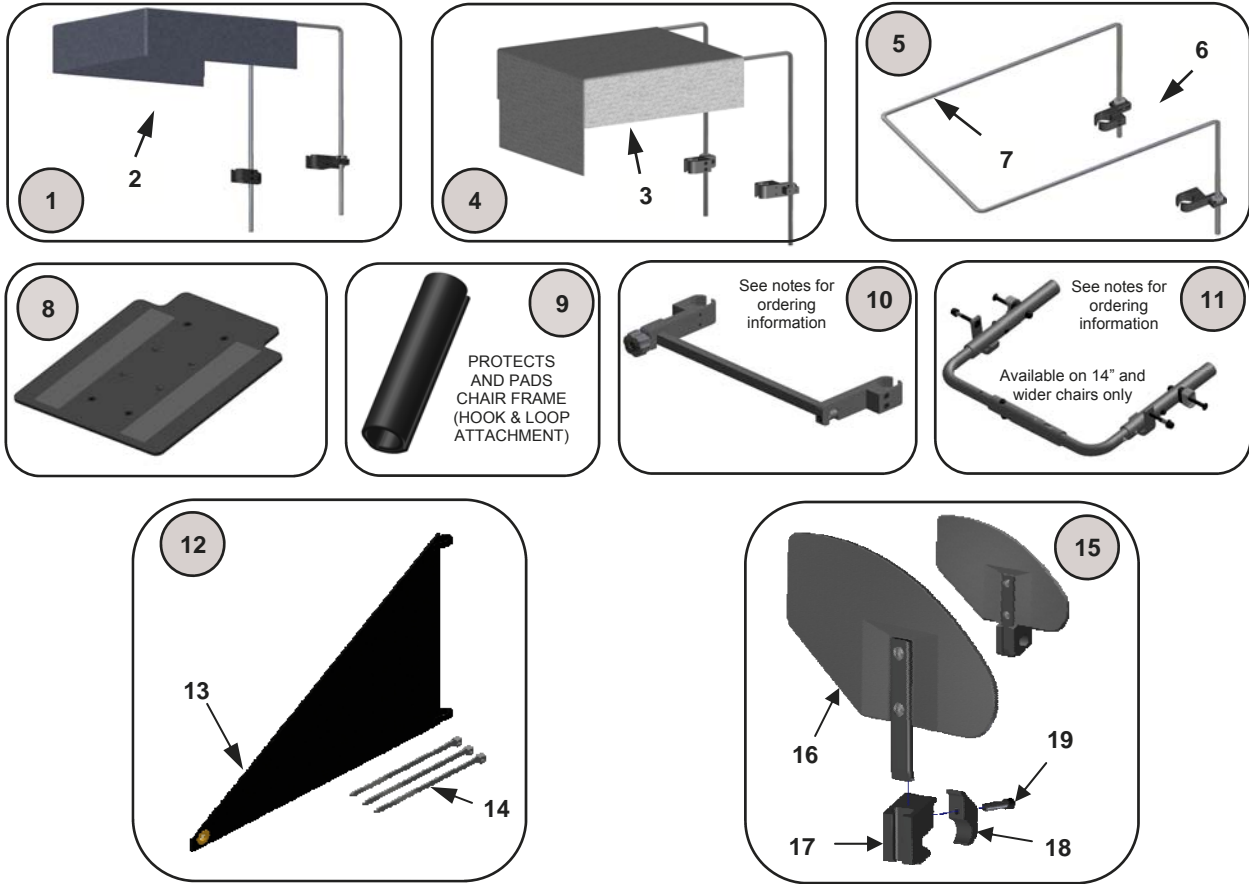
Message Center: Available when factory is closed

*FAX Line: Available 24 hours a day,
7 days a week*

TABLE OF CONTENTS

Accessories	2
Anti-tippers	3-4
Swing Away	3
Fixed	4
Armrests	5-7
Flip Back	5
Adjustable Height—Standard	6
Adjustable Height—Pediatric	7
Axles & Axle Plates	8-9
Axle Components	8
Axles (obsolete)	9
Back Rests	10
Caster Components	11-14
Caster Forks	11
Caster Mounting	12
Caster Mounting (discontinued)	13
Caster Wheels	14
Cross Braces	15-19
Cross Braces—Folding	15
Folding Growth Kits	16
Cross Braces—Folding (discontinue.....)	17
Cross Braces—Folding (discontinued).....	18
Cross Braces—Rigid	See page 27
Footrests	19-23
Composite Footplates	19
Flip up Footplates	20
Flip up—75° (discontinued)	21
Flip up—90° (discontinued)	22
Footboard	23
Frames	24-28
Folding	24
Growth Kits—Folding	25
Old Style (discontinued)	26
Rigid	27
Hangers—Complete Retro & Components	28
Hangers	29-34
Latch Style	29
Pop-Up	30
Latch Style (discontinued)	31
Pop-Up (discontinued)	32
Elevating Legrest—Pop-Up	33
Elev. Legrest—Pop-Up (discontinued)	34
Reverse Configuration	35-36
Rear to Front	35
Front to Rear	36
Wheel Locks	37-39
Hub Lock	37
Hub Lock (discontinued)	38
Conventional Lever Style	39
Wheels	40-43
Mag Wheels	40
Spoke Wheels	41
Mag with Hub Lock Adapters	42
Options	43
Warranty	44

ACCESSORIES

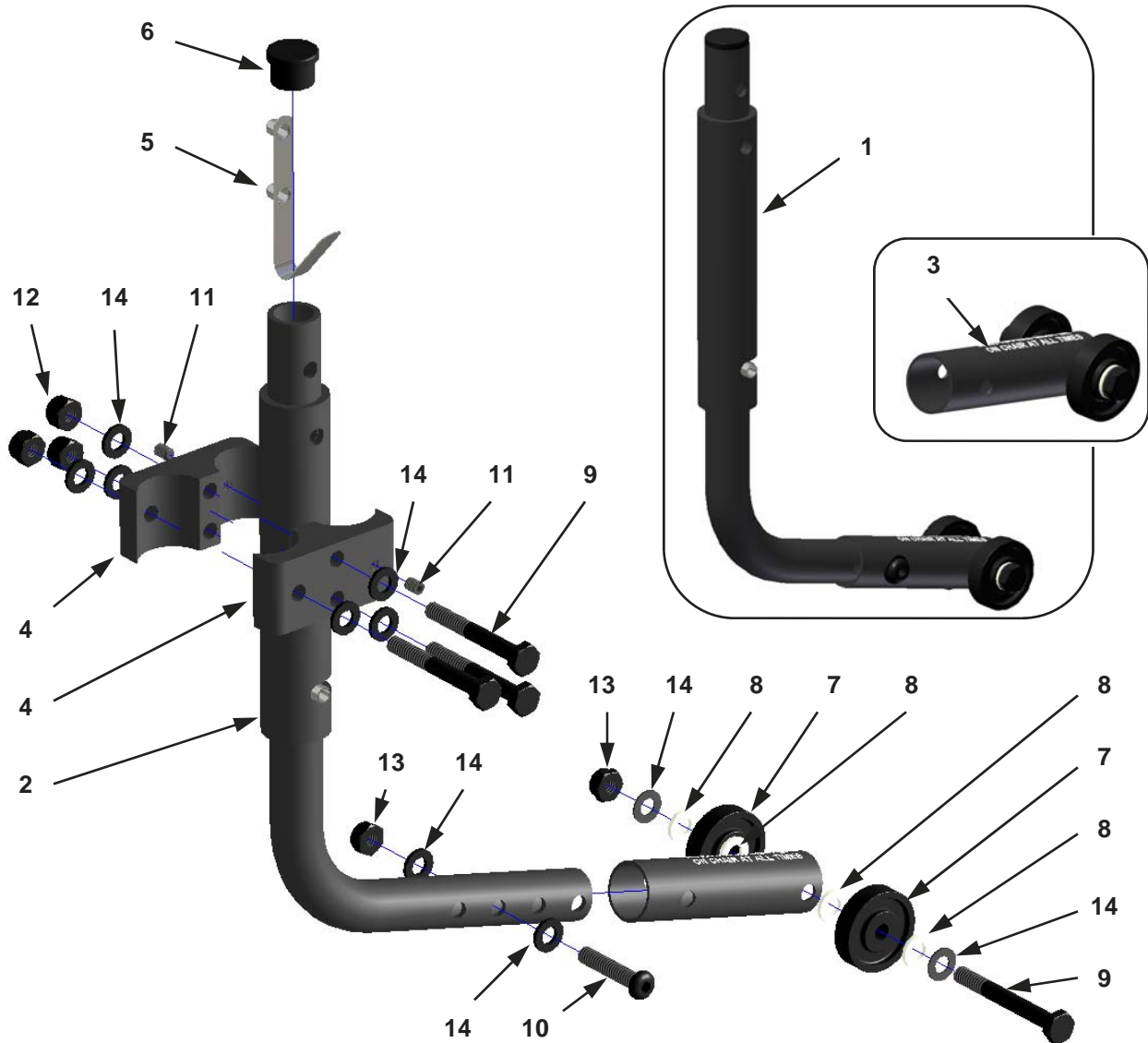


Notes:

To order Leverage Bar Kit or Flip Down Rigid Bar Kit add chair width to end of part number (e.g. 10915-14 for 14" wide)

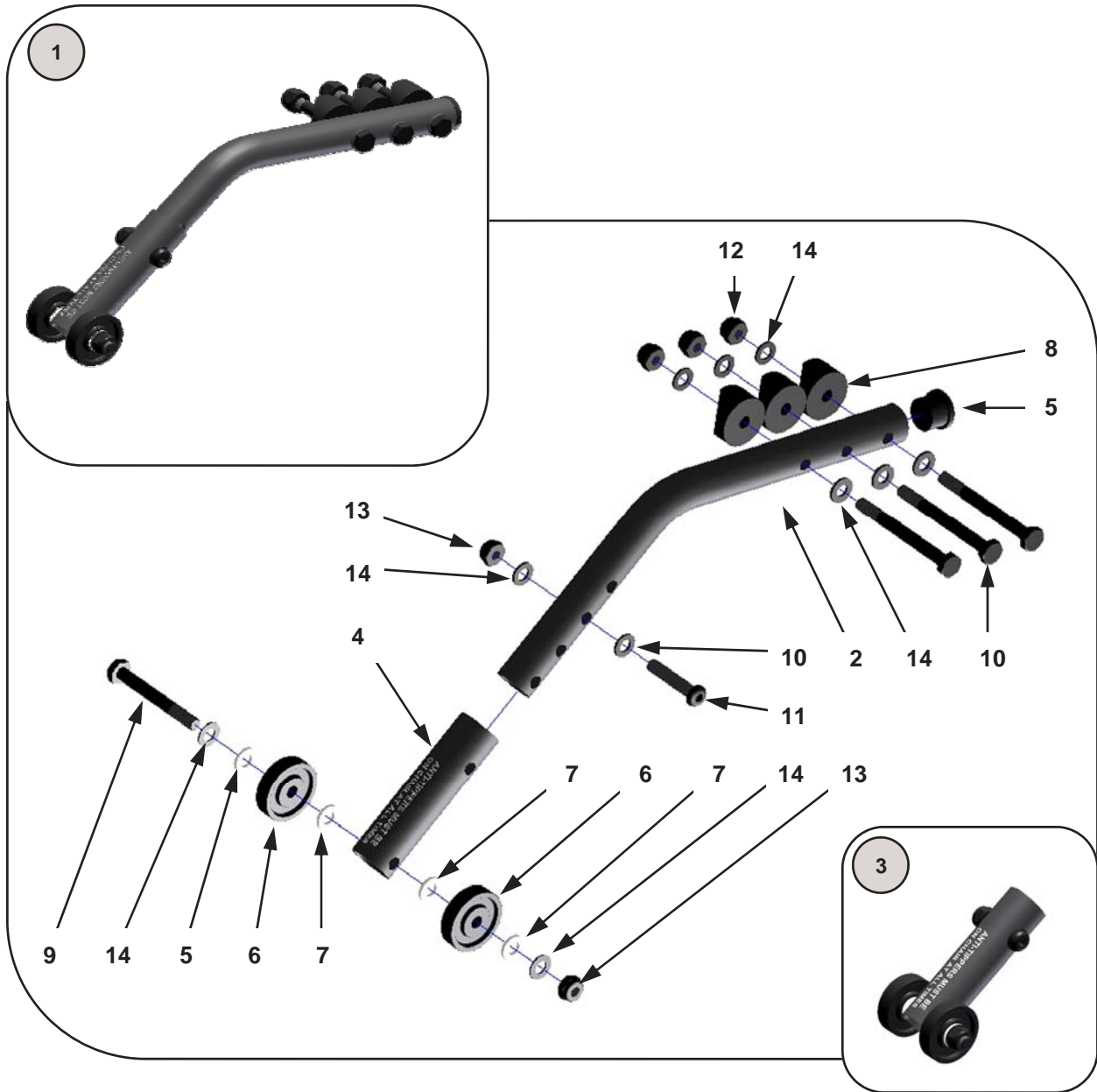
No.	PART #	DESCRIPTION	QTY	No.	PART #	DESCRIPTION	QTY
1	10712	Canopy Fabric/Frame & Clamps	1 ea.	13	7001	Fabric Clothing Guard Panel	1 ea.
2	10710	Canopy Fabric	1 ea.	14	7002	Zip Ties	1 ea.
3	10713	Canopy Fabric/Visor	1 ea.	15	7006	Clamp On Clothing Guard Assemblies	1 pr.
4	10714	Canopy Fabric/Visor, Frame & Clamps	1 ea.		7006-R	Clamp On Clothing Guard Assy—Right	1 pr.
5	10715	Canopy Frame/Clamps	1 ea.		7006-L	Clamp On Clothing Guard Assy—Left	1 ea.
6	10716	Canopy Hardware	1 ea.	16	7003	Removable Clothing Guard Panels	1 ea.
7	10717	Canopy Frame	1 ea..		7003-R	Removable Clothe Guard Panel—Right	1 pr.
8	10910	Seat Pan—Fixed	1 ea.		7003-L	Removable Clothe Guard Panel—Left	1 ea.
	10909	Seat Pan—Quick Release	1 ea	17	7004	Receiver Clamp	1 ea.
9	10911	Frame Pads	1 pr.	18	7005	Inner Clamp	1 ea.
10	10914	*Flip Down Rigid Bar Kit	1 ea.	19	9061	Screw—1/4-20 x 1" Socket Head	1 ea.
11	10915	*Leverage Bar Kit	1 ea.				
12	7000	Fabric Clothing Guard Assemblies	1 pr.				
	7000-1	Fabric Clothing Guard	1 pr.				

ANTI-TIPS—Swing Away



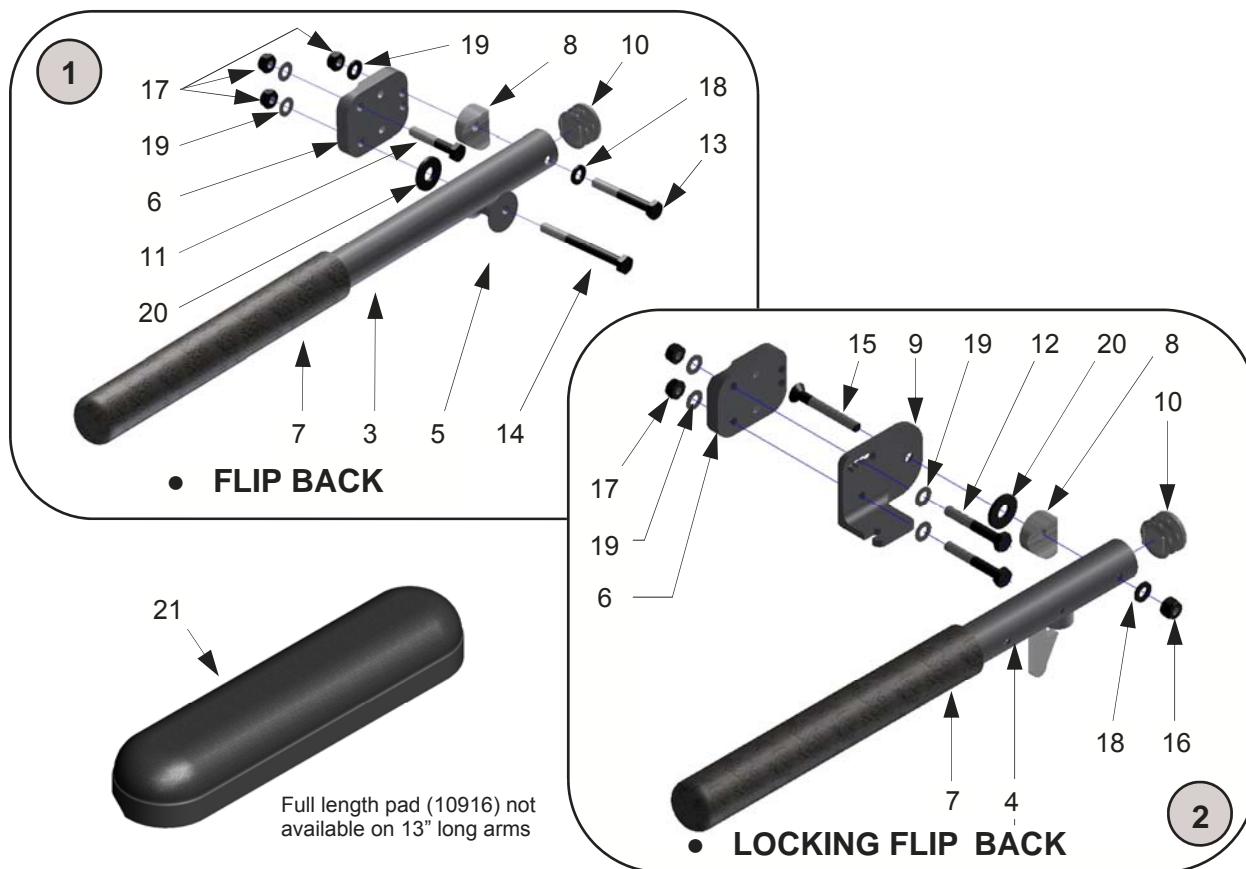
No.	PART #	DESCRIPTION	QTY	No.	PART #	DESCRIPTION	QTY
1	10072-R	Anti-tip Assembly—Right	1 ea.	5	8005	Double Lock Button	1 ea.
	10072-L	Anti-tip Assembly—Left	1 ea.	6	8006	3/4" Tube Plug	1 ea.
	10072	Anti-tip Assemblies—Rt. & Lt.	1 pr.	7	9009A	Roller	1 ea.
2	10073-R	Anti-tip Lever—Right	1 ea.	8	9010	Washer—1/4" Plastic	1 ea.
	10073-L	Anti-tip Lever—Left	1 ea.	9	9023	Screw—1/4 X 2" Hex Head	1 ea.
	10073	Anti-tip Levers—Right & Left	1 pr.	10	9034	Screw—1/4 X 1 1/4" Button Head	1 ea.
3	8001-R	Anti-tip Roller Assembly—Right	1 ea.	11	9038	Set Screw—10-32 X 1/4"	1 ea.
	8001-L	Anti-tip Roller Assembly—Left	1 ea.	12	9072	Locknut—1/4 Nylon	1 ea.
	8001	Anti-tip Roller Assemblies—Rt. & Lt.	1 pr.	13	9073	Locknut—1/4 Thin Nylon	1 ea.
4	8003	Clamp	1 ea.	14	9074	Washer—1/4" Flat	1 ea.

ANTI-TIPS—Fixed



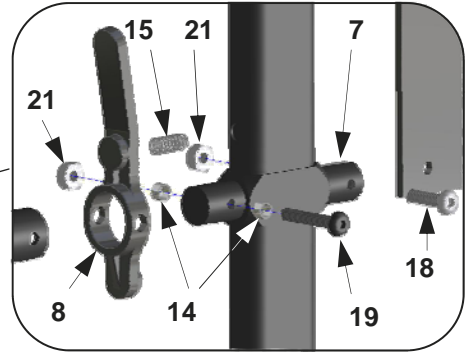
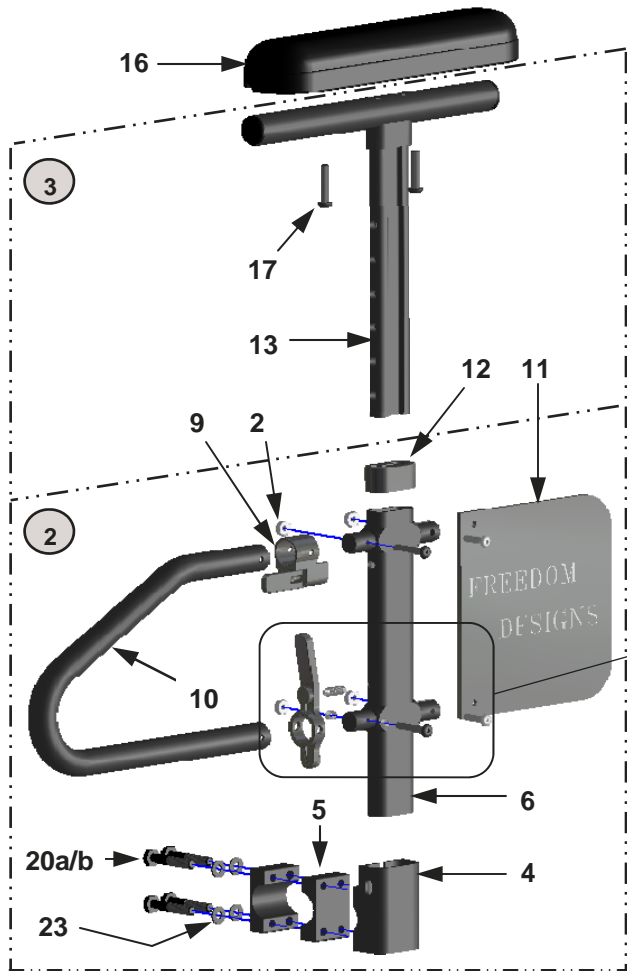
No.	PART #	DESCRIPTION	QTY	No.	PART #	DESCRIPTION	QTY
1	10071-R	Anti-tip Assembly—Fixed, Right	1 ea.	6	9009A	Roller	1 ea.
	10071-L	Anti-tip Assembly—Fixed, Right	1 ea.	7	9010	Washer—1/4" Plastic	1 ea.
	10071	Anti-tip Assemblies—Fixed, (Rt & Lt)	1 pr.	8	9005A	1" Plastic Spacer / 1/4" Hole—1/4" Th.	1 ea.
2	10069-1	Anti-tip Lever Tube	1 ea.	9	9023	Screw—1/4-20 x 2" Hex Head	1 ea.
	10069-2	Anti-tip Lever Tubes	1 pr.	10	9025	Screw—1/4-20 x 2 1/2" Hex Head	1 ea.
3	8001-R	Anti-tip Roller Assembly—Right	1 ea.	11	9034	Screw—1/4-20 x 1 1/4" Button Head	1 ea.
	8001-L	Anti-tip Roller Assembly—Left	1 ea.	12	9072	Locknut—1/4-20 Nylon	1 ea.
	8001	Anti-tip Roller Assemblies—Rt. & Lt.	1 pr.	13	9073	Locknut—1/4-20 Nylon, Thin	1 ea.
4	8007	Anti-tip Roller Tube	1 ea.	14	9075	Washer—1/4" Flat, Thin	1 ea.
5	3099	Tube Plug—3/4"	1 ea.				

ARMRESTS—Flip Back



No.	PART #	DESCRIPTION	QTY	No.	PART #	DESCRIPTION	QTY
1	10721	Flip Back Armrest Assemblies—16"	1 pr.		5022	Foam Pad—9.5"	1 ea.
	10721-R	Flip Back Armrest Assy—Rt.—16"	1 ea.	8	9005	1" Plastic Saddle	1 ea.
	10721-L	Flip Back Armrest Assy—Lt.—16"	1 ea.	9	6004-R	Adjustment Plate—Right	1 ea.
	10721-P	Flip Back Armrest Assemblies—13"	1 pr.		6004-L	Adjustment Plate—Left	1 ea.
	10721-PR	Flip Back Armrest Assy—Rt.—13"	1 ea.		6004	Adjustment Plates—Right & Left	1 pr.
	10721-RP	Flip Back Armrest Assy—Lt.—13"	1 ea.	10	9000	Tube End Plug—1"	1 ea.
2	10751	Locking Armrest Assemblies—16"	1 pr.	11	9021	Screw—1/4 x 1 1/2" Hex Head	1 ea.
	10751-R	Locking Armrest Assy—Rt.—16"	1 ea.	12	9022	Screw—1/4 x 1 3/4" Hex Head	1 ea.
	10751-L	Locking Armrest Assy—Lt.—16"	1 ea.	13	9023	Screw—1/4 x 2" Hex Head	1 ea.
	10751-P	Locking Armrest Assemblies—13"	1 pr.	14	9026	Screw—1/4 x 2 3/4" Hex Head	1 ea.
	10751-PR	Locking Armrest Assy—Rt.—13"	1 ea.	15	9051	Screw—1/4 x 2" Flat Head	1 ea.
	10751-RP	Locking Armrest Assy—Lt.—13"	1 ea.	16	9072	Locknut—1/4" Nylon	1 ea.
3	10722	Flip Back Tube (no hardware) - 16"	1 ea.	17	9073	Locknut—1/4" Thin Nylon	1 ea.
	10722-P	Flip Back Tube (no hardware) - 13"	1 ea.	18	9074	Washer—1/4" Flat	1 ea.
4	10754	Locking Arm Tube Assembly—16"	1 ea.	19	9075	Washer—1/4" Thin Flat	1 ea.
	10754-P	Locking Arm Tube Assembly—13"	1 ea.	20	9089	Washer—5/16" Flat	1 ea.
5	6012	Flip Back Armrest Barrel	1 ea.	21	10913	Desk Length Arm Pad—9.25" Long	1 ea.
6	6014	Mounting Plate	1 ea.		10916	Full Length Arm Pad—13.5" Long	1 ea.
7	5021	Foam Pad—4.5"	1 ea.				

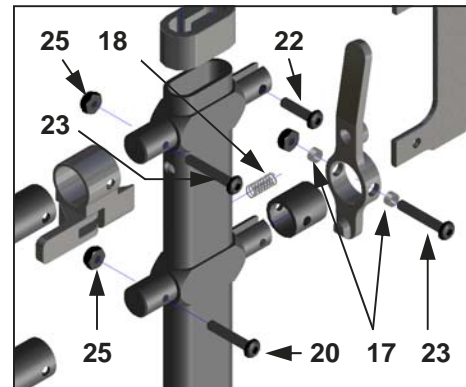
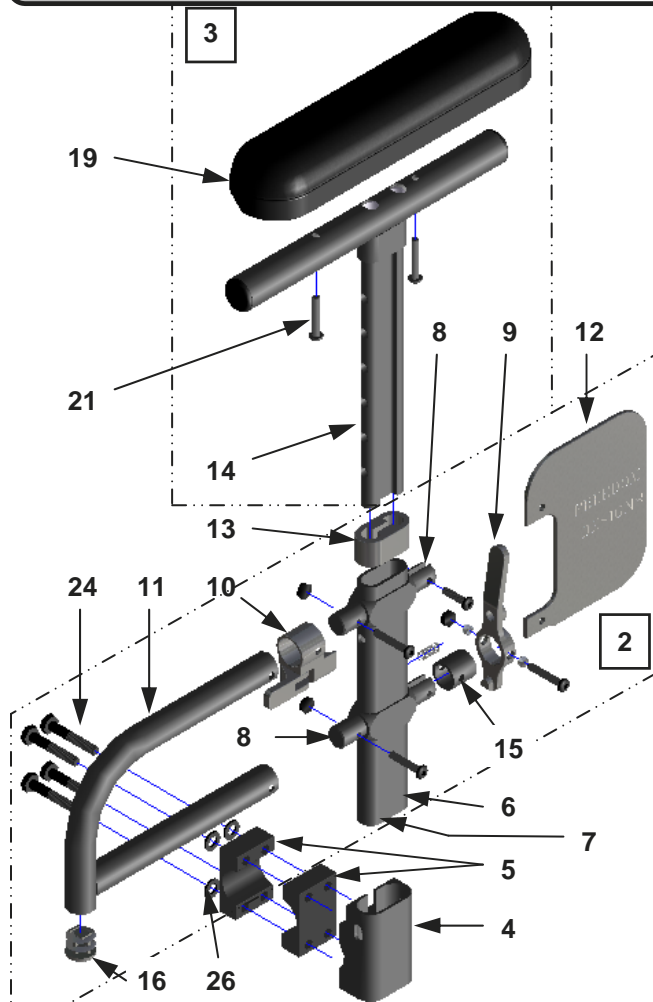
ARMREST—Adjustable Height



STANDARD SEAT WIDTH REQUIRES (1) INNER CLAMP (ITEM 5) AND USES 1-1/4" LONG MOUNTING SCREW (ITEM 20a)
 EXTENDED SEAT WIDTH REQUIRES (2) INNER CLAMPS AS SHOWN AND USES 1-1/2" LONG MOUNTING SCREWS (ITEM 20b)

No.	PART #	DESCRIPTION	QTY	No.	PART #	DESCRIPTION	QTY
1	10756-R	T-Arm Assembly—Complete, Right	1 ea.	10	10766-STD	Front Tube—Standard	1 ea.
	10756-L	T-Arm Assembly—Complete, Left	1 ea.		10766-SH	Front Tube—Short	1 ea.
	10756	T-Arm Assembly—Comp., Rt & Lt	1 pr.	11	10767	Panel	1 ea.
2	10757-R	Lower T-Arm Assembly—Right	1 ea.	12	10768	Receiver Tube Cap	1 ea.
	10757-L	Lower T-Arm Assembly—Left	1 ea.	13	10769	Height Adjust Post	1 ea.
	10757	Lower T-Arm Assembly—Rt & Lt	1 pr.	14	9039	Spacer Bushing	1 ea.
3	10758-R	Upper T-Arm Assembly—Right	1 ea.	15	9040	Spring	1 ea.
	10758-L	Upper T-Arm Assembly—Left	1 ea.	16	10913	Desk Style Arm Pad	1 ea.
	10758	Upper T-Arm Assembly—Rt & Lt	1 pr.		10916	Full Length Arm Pad	1 ea.
4	10759	Receiver Socket	1 ea.	17	9016	10-32 X 1 1/4" Pan Head Screw	1 ea.
5	10760	Receiver Frame Clamp	1 ea.	18	9057	10-32 X 3/4" Button Head Screw	1 ea.
6	10761	Receiver Tube	1 ea.	19	9070	10-32 X 1 1/4" Button Head Screw	1 ea.
7	10763	Receiver Tube Clamp	1 ea.	20a	9020	1/4-20 X 1 1/4" Hex Head Screw	1 ea.
8	10764	Frame Release Lever	1 ea.	20b	9021	1/4-20 X 1 1/2" Hex Head Screw	1 ea.
9	10765-R	Height Release Assembly—Right	1 ea.	21	9086	10-32 Nylon Lock Nut	1 ea.
	10765-L	Height Release Assembly—Left	1 ea.	22	9074	1/4" Flat Washer	1 ea.

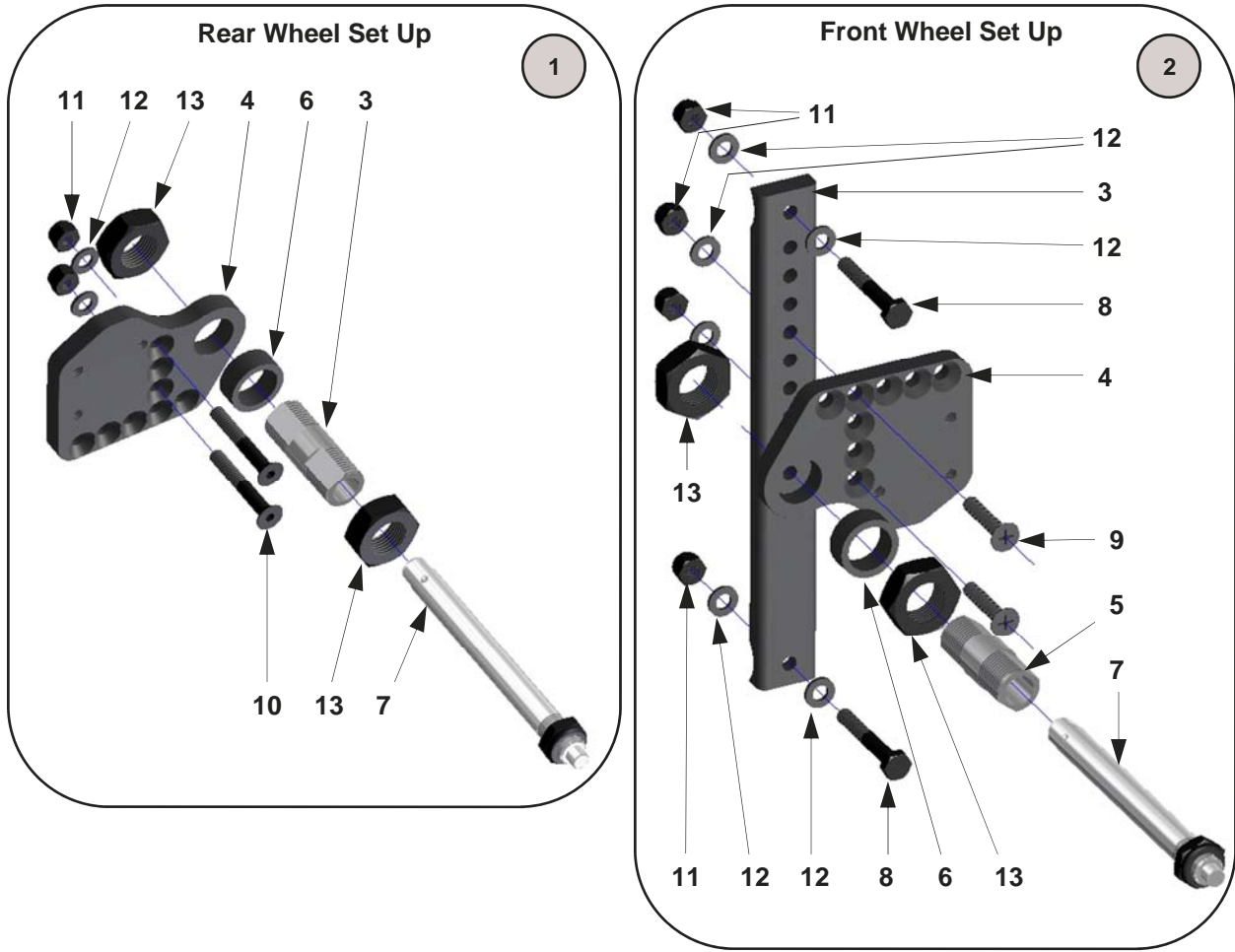
ARMREST—Adjustable Height, Pediatric



STANDARD SEAT WIDTH REQUIRES (1) INNER CLAMP (ITEM 5) AND USES 1-1/4" LONG MOUNTING SCREW (ITEM 21a)
 EXTENDED SEAT WIDTH REQUIRES (2) INNER CLAMPS AS SHOWN AND USES 1-1/2" LONG MOUNTING SCREWS (ITEM 21b)

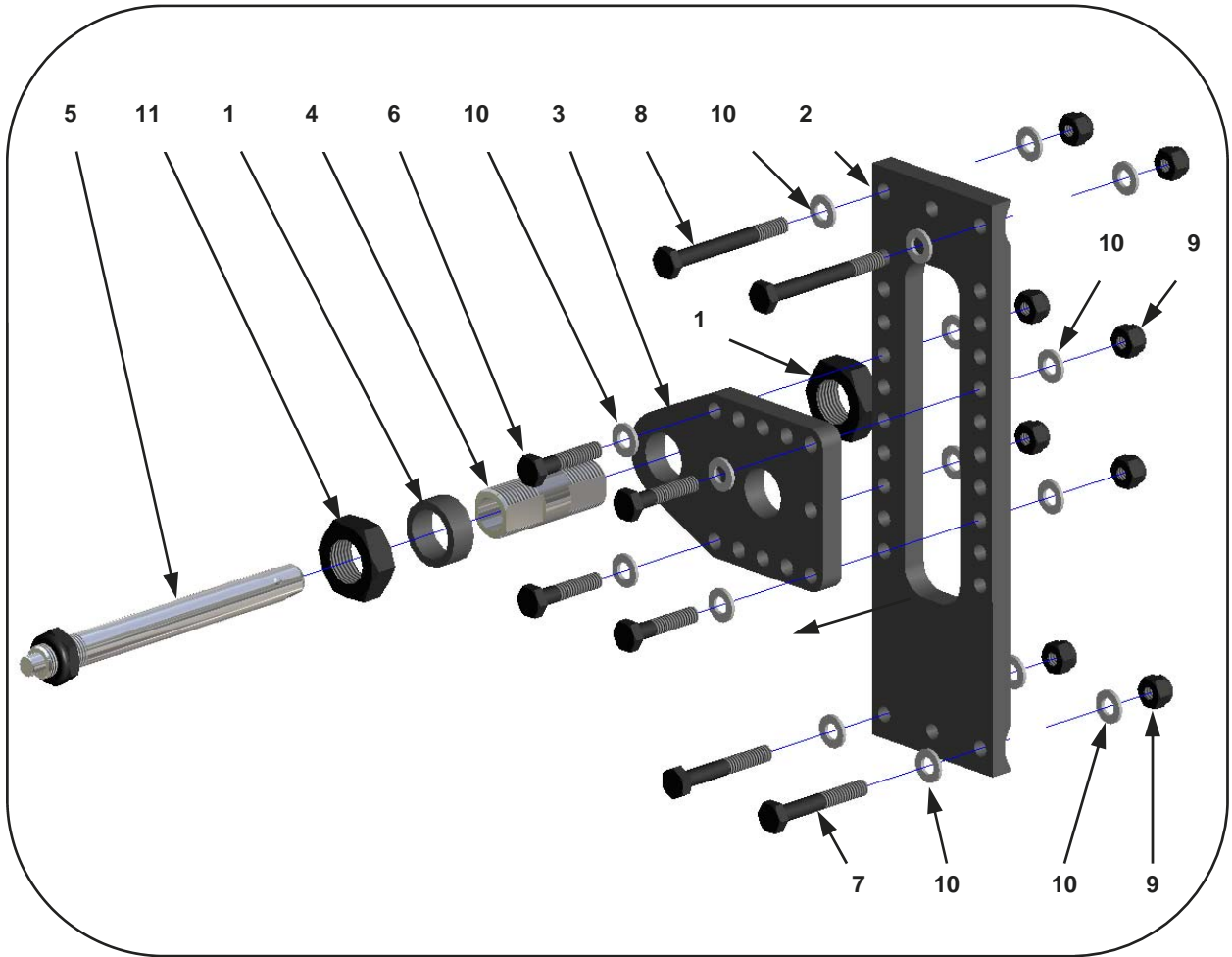
No.	PART #	DESCRIPTION	QTY	No.	PART #	DESCRIPTION	QTY
1	10780-R	T-Arm Assembly, Ped. Complete—Rt.	1 ea.	11	10766-P	Front Tube—Pediatric	1 ea.
	10780-L	T-Arm Assembly, Ped. Complete—Lt.	1 ea.	12	10783	Panel	1 ea.
	10780	T-Arm Assemblies, Ped. Cmpmt.—R & L	1 pr.	13	10768	Receiver Tube Cap	1 ea.
2	10781-R	Lower T-Arm Assembly, Ped.—Rt.	1 ea.	14	10769-P	Height Adjust Post	1 ea.
	10781-L	Lower T-Arm Assembly, Ped.—Lt.	1 ea.	15	10784	Spacer Tube	1 ea.
	10781	Lower T-Arm Assemblies, Ped.—R & L	1 pr.	16	3099	Tube Plug—3/4"	1 ea.
3	10782-R	Upper T-Arm Assembly, Ped.—Right	1 ea.	17	9039	Spacer Bushing	1 ea.
	10782-L	Upper T-Arm Assembly, Ped.—Left	1 ea.	18	9040	Spring	1 ea.
	10782	Upper T-Arm Assemblies, Ped.—R & L	1 pr.	19	10913	Desk Style Arm Pad	1 ea.
4	10759	Receiver Socket	1 ea.	20	9102	Screw—10-32 x 1" Button Head	1 ea.
5	10760	Receiver Frame Clamp	1 ea.	21	9016	Screw—10-32 x 1 1/4" Phillips Pan Head	1 ea.
6	10761-P	Receiver Tube	1 ea.	22	9057	Screw—10-32 x 3/4" Button Head	1 ea.
7	10763	Receiver Tube Clamp	1 ea.	23	9070	Screw—10-32 x 1 1/4" Button Head	1 ea.
8	10764	Frame Release Lever	1 ea.	24a	9020	Screw—1/4-20 x 1 1/4" Hex Head	1 ea.
9	10765-R	Height Release Assembly—Right	1 ea.	24b	9021	Screw—1/4-20 x 1 1/2" Hex Head	1 ea.
	10765-L	Height Release Assembly—Left	1 ea.	25	9086	Locknut—10-32 Nylon	1 ea.
	10765	Height Release Assemblies—Rt. & Lt.	1 pr.	26	9074	Washer—1/4" Flat	1 ea.

AXLE COMPONENTS



No.	Part #	Description	Qty
1	14063	Axle Assembly Kit—Rear Wheel Drive	1 pr.
2	14064	Axle Assembly Kit—Front Wheel Drive	1 pr.
3	14060	Wheel Plate—12", 16" & 18" Wheels	1 ea.
	14104	Wheel Plate—20", 22" & 24" Wheels	1 ea.
4	14062-R	Axle Adapter Plate —Right	1 ea.
	14062-L	Axle Adapter Plate —Left	1 ea.
	14062	Axle Adapter Plates —Right & Left	1 pr.
5	2003	Double Lock Axle Receiver	1 ea.
6	1999	Spacer—Axle Receiver	1 ea.
7	4001	Quick Release Axle	1 ea.
8	9022	Screw—1/4-20 X 1 3/4" Hex Head	1 ea.
9	9048	Screw—1/4-20 X 1 1/4" Flat Head	1 ea.
10	9050	Screw—1/4-20 X 1 3/4" Flat Head	1 ea.
11	9072	Locknut—1/4-20 Nylon	1 ea.
12	9074	Washer - 1/4 Flat	1 ea.
13	9092	Nut—3/4-16 Jam	1 ea.

AXLE COMPONENTS—(discontinued)

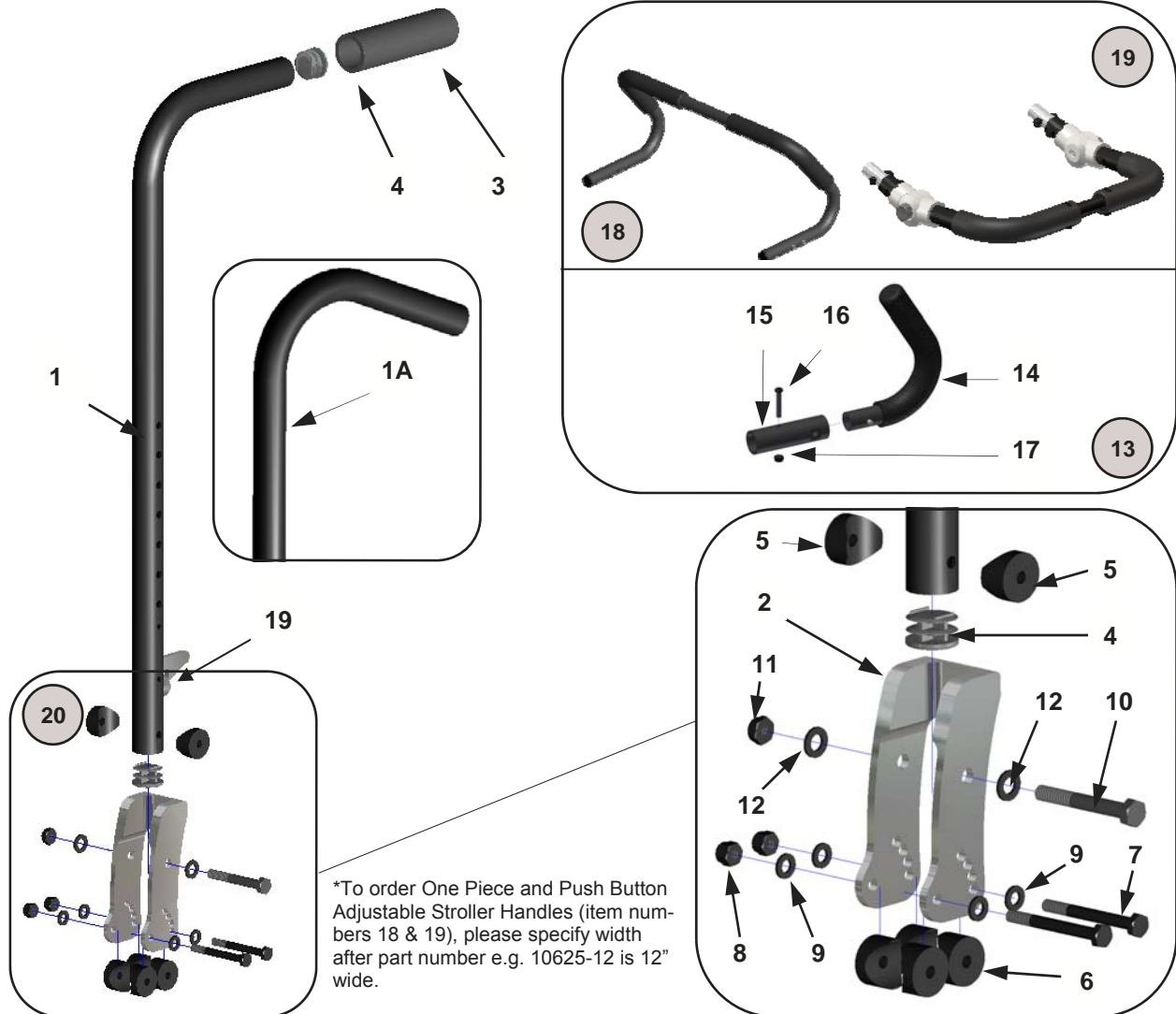


*Item numbers 2 and 3 have been discontinued.
Contact Customer Service for replacement parts.

Please provide frame serial number.

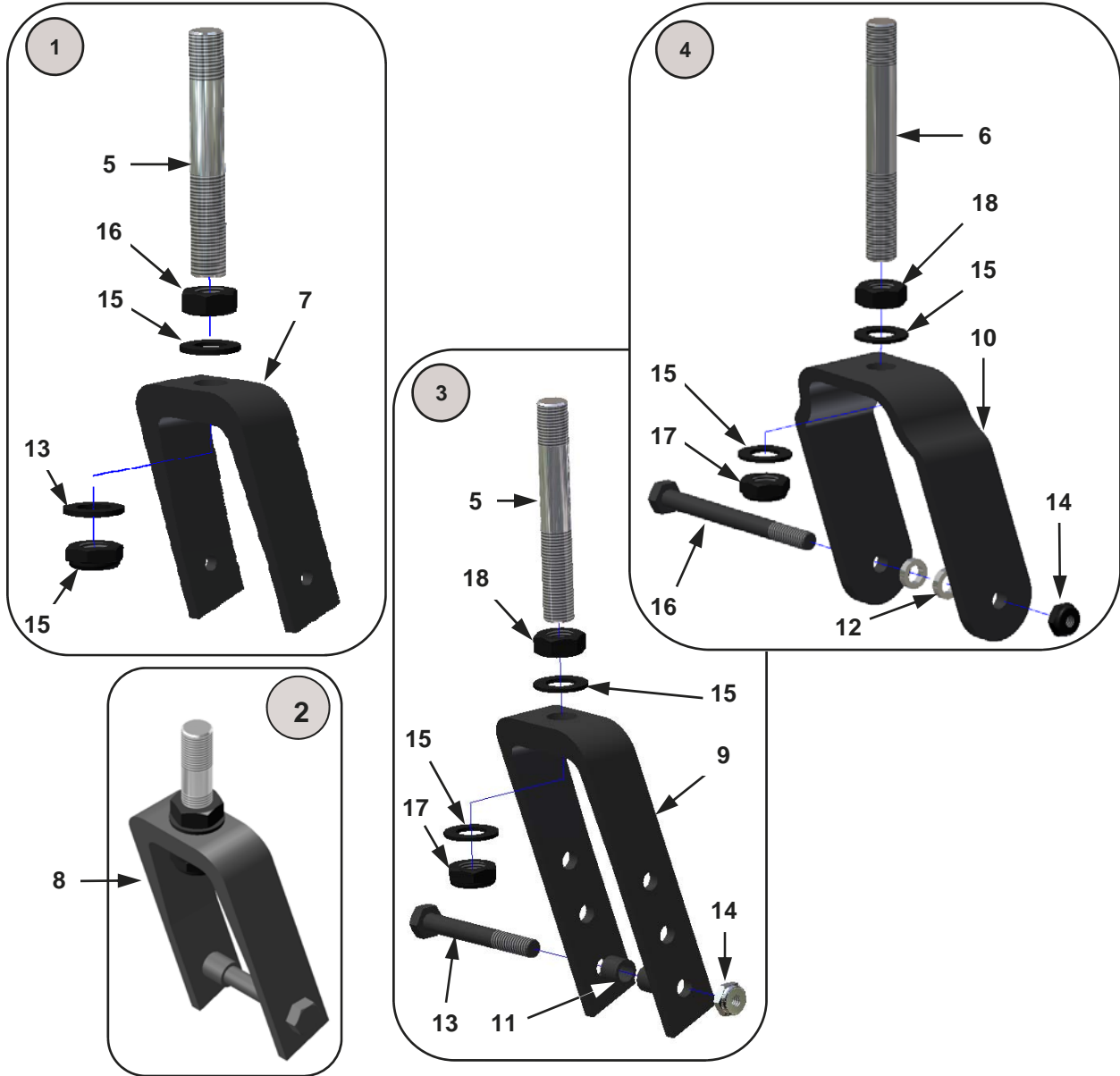
No.	Part #	Description	Qty
1	1999	Spacer	1 ea.
2	*	Axle Plate	1 ea.
3	*	Wheel Bushing Plate	1 ea.
4	2003	Double Lock Axle Receiver	1 ea.
5	4001	Quick Release Axle	1 ea.
6	9020	Screw—1/4-20 X 1 1/4" Hex Head	1 ea.
7	9022	Screw—1/4-20 X 1 3/4" Hex Head	1 ea.
8	9024	Screw—1/4-20 X 2 1/4" Hex Head	1 ea.
9	9072	Locknut—1/4-20 Nylon	1 ea.
10	9074	Washer—1/4" Flat	1 ea.
11	9092	Nut—3/4-16 Hex Jam	1 ea.

BACK CANES & STROLLER HANDLES



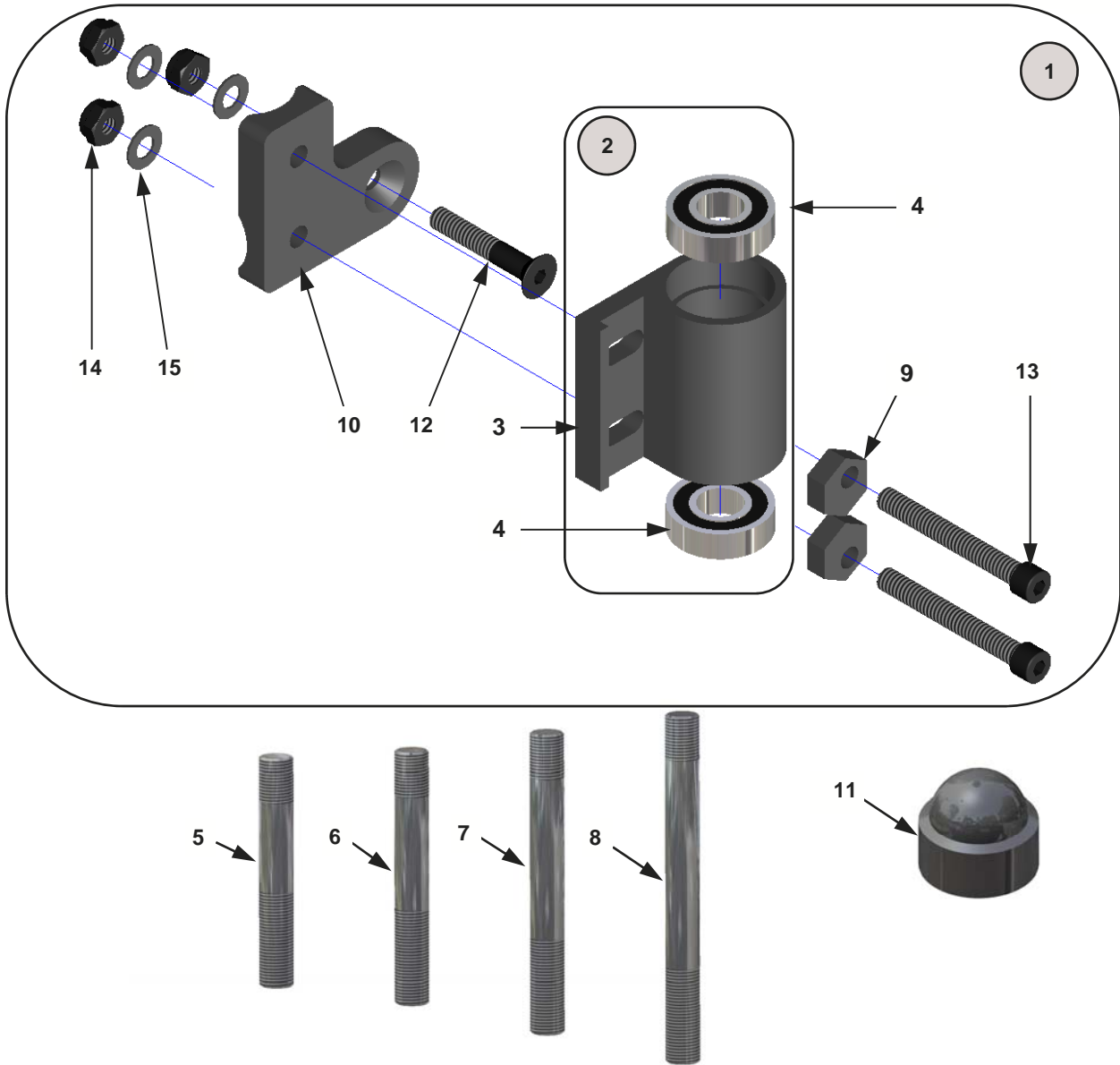
No.	PART #	DESCRIPTION	QTY	No.	PART #	DESCRIPTION	QTY
1	13200	Back Cane—Short	1 pr.	10	9081	Screw—5/16 x 2 1/4" Hex Head	1 ea.
	13201	Back Cane—Medium	1 pr.	11	9088	Nut—5/1" Nylon Lock	1 ea.
	13202	Back Cane—Tall	1 pr.	12	9090	Washer—5/16" Flat	1 ea.
1A	13203	Back Cane—Short, Ergo	1 pr.	13	10620	Stroller Handle Assy. (Handle/Adapt)	1 pr.
	13204	Back Cane—Medium, Ergo	1 pr.	14	10621	Stroller Handle	1 ea.
	13205	Back Cane—Tall, Ergo	1 pr.	15	10622	Adapter Tube	1 ea.
2	2004D	Back Cane Receiver Plate	1 ea.	16	9035	Screw—1/4 x 1 1/2" Button Head	1 ea.
	1998	Foam Grip	1 ea.	17	9073	Locknut—1/4" Thin Nylon	1 ea.
4	9000	1" Tube End Plug	1 ea.	18	10623	One Piece Stroller Handle	1 ea.
5	9005	1" Saddle for 5/16" Screw	1 ea.	19	10625	Push Button Angle Adj. Stroller	1 ea.
6	9005A	1" Saddle for 1/4" Screw	1 ea.	20	5023	Stem Bumper	1 ea.
7	9024	Screw—1/4 x 2 1/4" Hex Head	1 ea.	21	2004F	Back Cane Receiver & Hardware	1 pr.
8	9072	Nut—1/4" Nylon Lock	1 ea.		2004F-L	Back Cane Receiver & Hardware—Rt	1 ea.
9	9074	Washer—1/4" Flat	1 ea.		2004F-R	Back Cane Receiver & Hardware—Lt	1 ea.

CASTER COMPONENTS—Forks



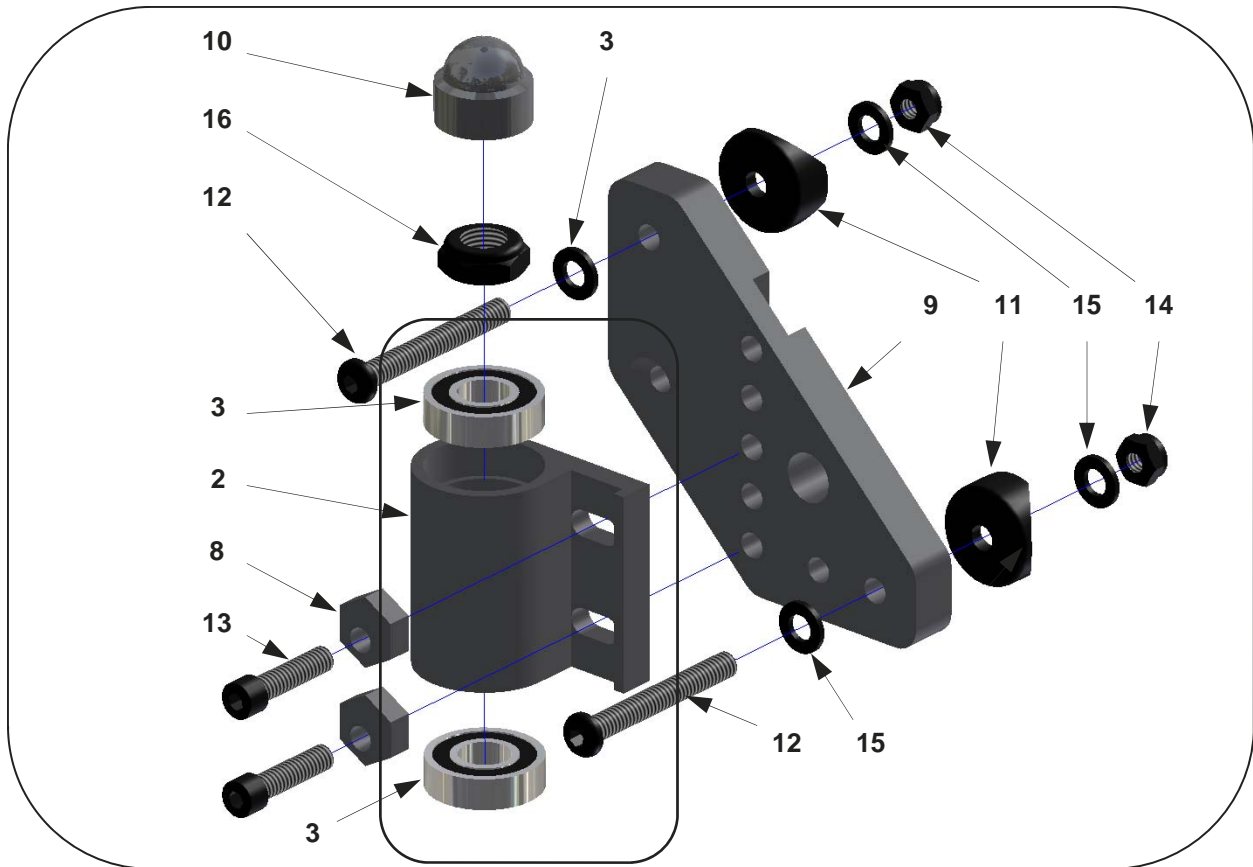
No.	PART #	DESCRIPTION	QTY	No.	PART #	DESCRIPTION	QTY
1	10040-1	3" Caster Fork Assembly	1 ea.	8	2011C	4" Caster Fork	1 ea.
	10040-2	3" Caster Fork Assemblies	1 pr.	9	2011A	5", 6" & 7" Caster Fork	1 ea.
2	10052-1	4" Caster Fork Assembly	1 ea.	10	2011B	6" x 2" Caster Fork	1 ea.
	10052-2	4" Caster Fork Assembly	1 pr.	11	2013	Caster Spacer (except 6 x 2 casters)	1 ea.
3	10041-1	5", 6" & 7" Caster Fork Assembly	1 ea.	12	2013A	Caster Spacer 6 x 2 caster only	1 ea.
	10041-2	5", 6" & 7" Caster Fork Assemblies	1 pr.	13	9082	Screw—5/16 x 2 1/2" Hex Head	1 ea.
4	10045-1	6" x 2" Caster Fork Assembly	1 ea.	14	9088	Locknut—5/16" Thin Nylon	1 ea.
	10045-2	6" x 2" Caster For Assemblies	1 pr.	15	9089	Washer—1/2" Flat	1 ea.
5	2010A	3 5/8" Caster Stem	1 ea.	16	9084	Screw—5/16 x 3 1/2" Hex Head	1 ea.
6	2010B	4" Caster Stem	1 ea.	17	9085	Locknut—1/2-20 Thin Nylon	1 ea.
7	2011	3" Caster Fork	1 ea.	18	9091	Nut—1/2" Hex Jam	1 ea.

CASTER COMPONENTS—Mounting



No.	PART #	DESCRIPTION	QTY	No.	PART #	DESCRIPTION	QTY
1	2008-B	Caster Housing / Plates & Cams	1 pr.	9	2012	Eccentric Nut	1 ea.
	2008-R	Caster Housing / Plates & Cams—Rt	1 ea.	10	13041-R	Caster Adapter Plate—Right	1 ea.
	2008-L	Caster Housing / Plates & Cams—Lt	1 ea.		13041-L	Caster Adapter Plate—Left	1 ea.
2	2008A	Caster Housing Assembly / Bearings	1 ea.		13041	Caster Adapter Plates—Right & Left	1 pr.
3	2008	Caster Housing	1 ea.	11	9077	3/4" Hex Nut Cap	1 ea.
4	2009	Caster Bearing	1 ea.	12	9049	Screw—1/4 x 1 1/4" Flat Head	1 ea.
5	2010A	3 5/8" Caster Stem	1 ea.	13	9065	Screw—1/4 x 2" Socket Head	1 ea.
6	2010	4 3/4" Caster Stem	1 ea.	14	9073	Locknut—1/4" Thin Nylon	1 ea.
7	2010B	4" Caster Stem	1 ea.	15	9075	Washer—1/4" Thin Flat	1 ea.
8	2010C	5 1/2" Caster Stem	1 ea.				

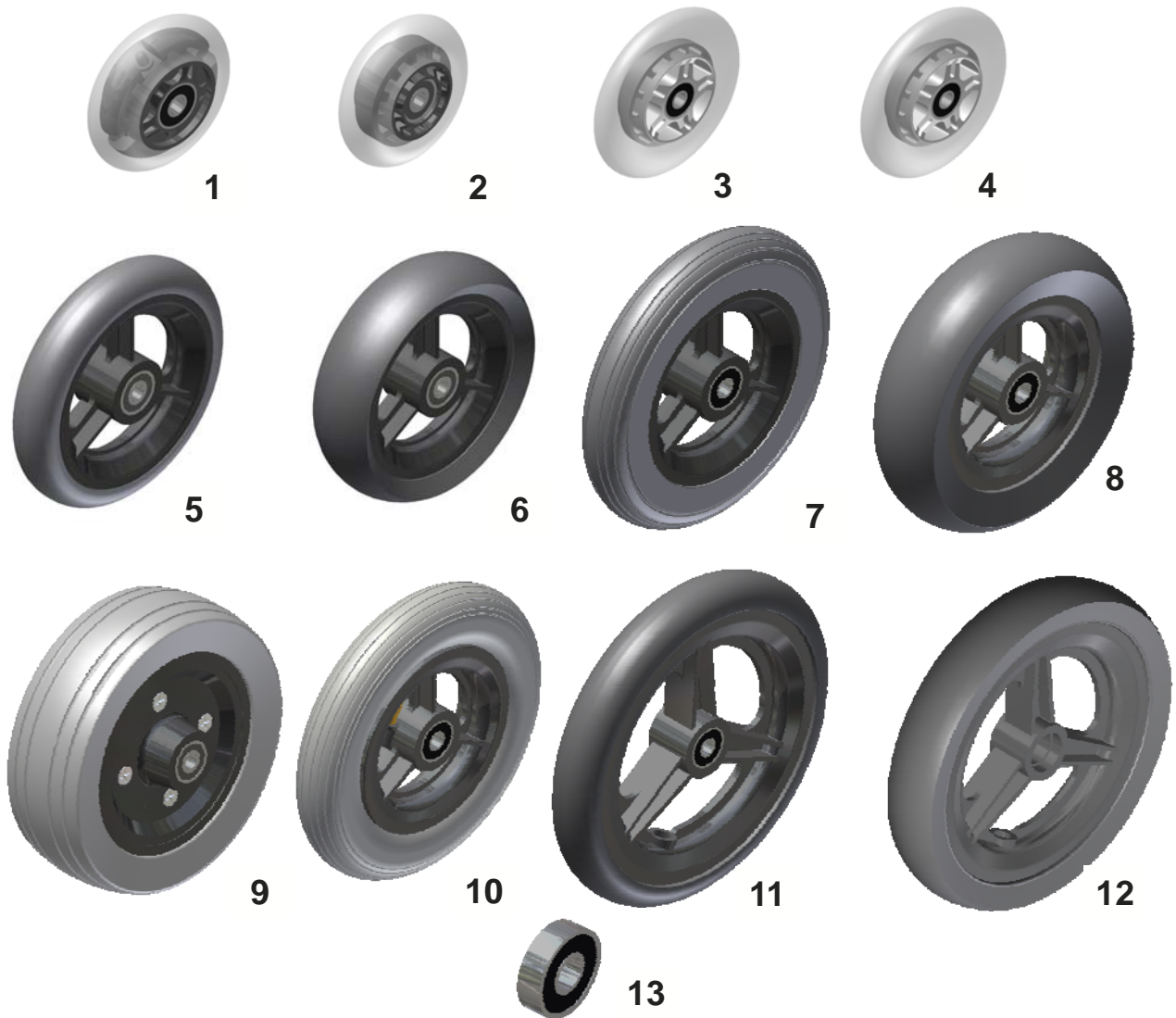
CASTER COMPONENTS—Mounting (discontinued)



All part numbers listed as * have been discontinued.
Contact Customer Service for replacement parts.

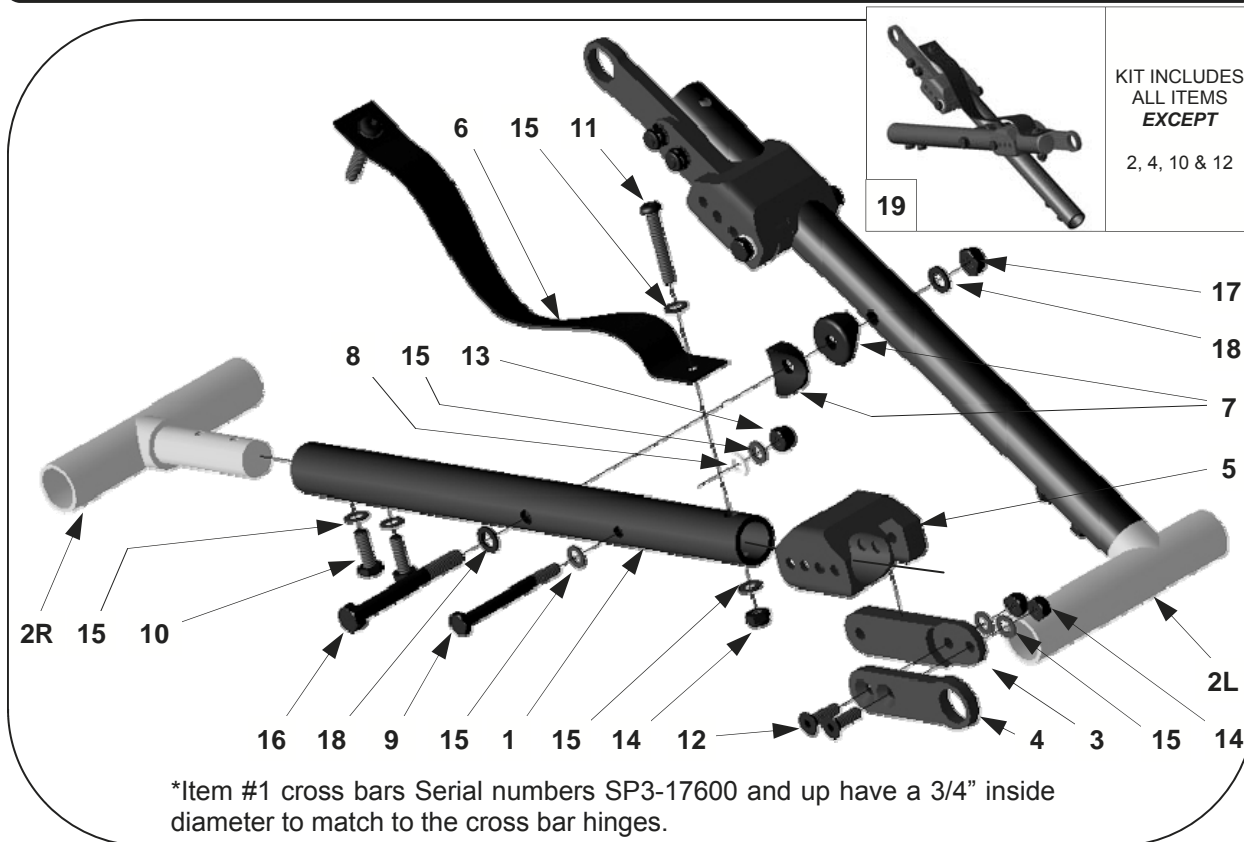
Please provide frame serial number, chair width and chair depth.

CASTER COMPONENTS – Wheels & Bearings



No.	PART #	DESCRIPTION	QTY	No.	PART #	DESCRIPTION	QTY
1	10141-1	3" Micro Light Up Caster	1 ea.		10144-2	6" x 1" Poly Casters	1 pr.
	10141-2	3" Micro Light Up Casters	1 pr.	8	10150-1	6" x 1.5" Poly Caster	1 ea.
2	10142-1	3" Micro Caster	1 ea.		10150-2	6" x 1.5" Poly Casters	1 pr.
	10142-2	3" Micro Casters	1 pr.	9	10151-1	6" x 2" Poly Caster	1 ea.
3	10152-1	4" Micro Caster	1 ea.		10151-2	6" x 2" Poly Casters	1 pr.
	10152-2	4" Micro Casters	1 pr.	10	10145-1	6" x 1" Pneumatic Caster	1 ea.
4	10153-1	4" Micro Light Up Caster	1 ea.		10145-2	6" x 1" Pneumatic Casters	1 pr.
	10153-2	4" Micro Light Up Casters	1 pr.	11	10146-1	7" x 1" Poly Caster	1 ea.
5	10143-1	5" x 1" Poly Caster	1 ea.		10146-2	7" x 1" Poly Casters	1 pr.
	10143-2	5" x 1" Poly Casters	1 pr.	12	10148-1	7" x 1.5" Caster	1 ea.
6	10149-1	5" x 1.5" Poly Caster	1 ea.		10148-2	7" x 1.5" Casters	1 pr.
	10149-2	5" x 1.5" Poly Casters	1 pr.	13	2009A	Caster Wheel Bearing	1 ea.
7	10144-1	6" x 1" Poly Caster	1 ea.				

CROSS BRACES—From Serial No. SP3-17600



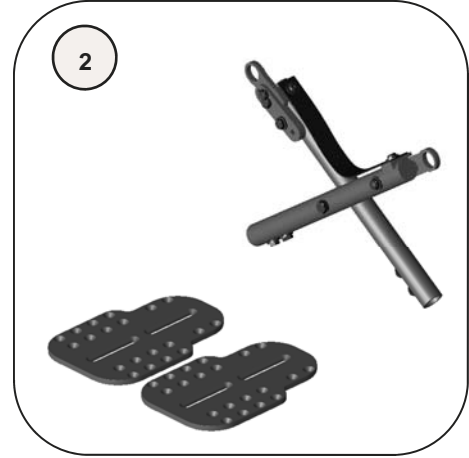
*Item #1 cross bars Serial numbers SP3-17600 and up have a 3/4" inside diameter to match to the cross bar hinges.

No.	PART #	DESCRIPTION	QTY	No.	PART #	DESCRIPTION	QTY
1	12900	CROSS BAR TUBE—10"	1 EA.	6	9095—99	FOLDING STRAP	1 EA.
	12901	CROSS BAR TUBE—11"	1 EA.	7	9005	1" PLASTIC SADDLE	1 EA.
	12902	CROSS BAR TUBE—12"	1 EA.	8	9010	FLAT WASHER—1/4 NYLON	1 EA.
	12903	CROSS BAR TUBE—13"	1 EA.	9	9025	SCREW—1/4-20 X 2 1/2 HEX HEAD	1 EA.
	12904	CROSS BAR TUBE—14"	1 EA.	10	9034	SCREW—1/4-20 X 7/8" BUTTON HEAD	1 EA.
	12905	CROSS BAR TUBE—15"	1 EA.	11	9021	SCREW—1/4-20 X 1 1/2" BUTTON HEAD	1 EA.
	12906	CROSS BAR TUBE—16"	1 EA.	12	9053	SCREW—1/4-20 X 5/8" FLAT HEAD	1 EA.
	12907	CROSS BAR TUBE—17"	1 EA.	13	9072	LOCK NUT—1/4-20 NYLON	1 EA.
	12908	CROSS BAR TUBE—18"	1 EA.	14	9073	LOCK NUT—1/4-20 THIN NYLON	1 EA.
2	12909-R	CROSS BAR HINGE—RIGHT	1 EA.	15	9074	FLAT WASHER—1/4	1 EA.
	12909-L	CROSS BAR HINGE - LEFT	1 EA.	16	9083	SCREW—5/16-18 X 2 3/4" HEX HEAD	1 EA.
	12909	CROSS BAR HINGES—PAIR	1 PR.	17	9088	LOCK NUT—5/16-18 NYLON	1 EA.
3	12920	CROSS BAR ARM—10"	1 EA.	18	9089	WASHER—5/16 FLAT	1 EA.
	12921	CROSS BAR ARM—11"	1 EA.	19	12300	10" CROSS BAR KIT COMPLETE	1 EA.
	12922	CROSS BAR ARM—12"	1 EA.		12301	11" CROSS BAR KIT COMPLETE	1 EA.
	12923	CROSS BAR ARM—13"	1 EA.		12302	12" CROSS BAR KIT COMPLETE	1 EA.
	12924	CROSS BAR ARM—14"	1 EA.		12303	13" CROSS BAR KIT COMPLETE	1 EA.
	12925	CROSS BAR ARM—15"	1 EA.		12304	14" CROSS BAR KIT COMPLETE	1 EA.
	12926	CROSS BAR ARM—16"	1 EA.		12305	15" CROSS BAR KIT COMPLETE	1 EA.
	12927	CROSS BAR ARM—17"	1 EA.		12306	16" CROSS BAR KIT COMPLETE	1 EA.
	12928	CROSS BAR ARM—18"	1 EA.		12307	17" CROSS BAR KIT COMPLETE	1 EA.
4	12929	ARM HINGE	1 EA.		12308	18" CROSS BAR KIT COMPLETE	1 EA.
5	12930	CROSS BAR RIGIDIZER	1 EA.				

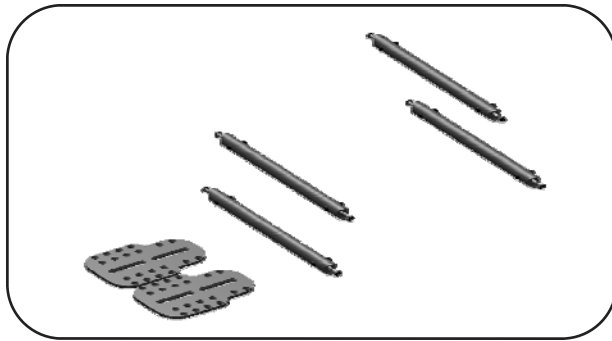
CROSS BAR GROWTH KITS



Notes:
Please provide frame serial number and chair width.



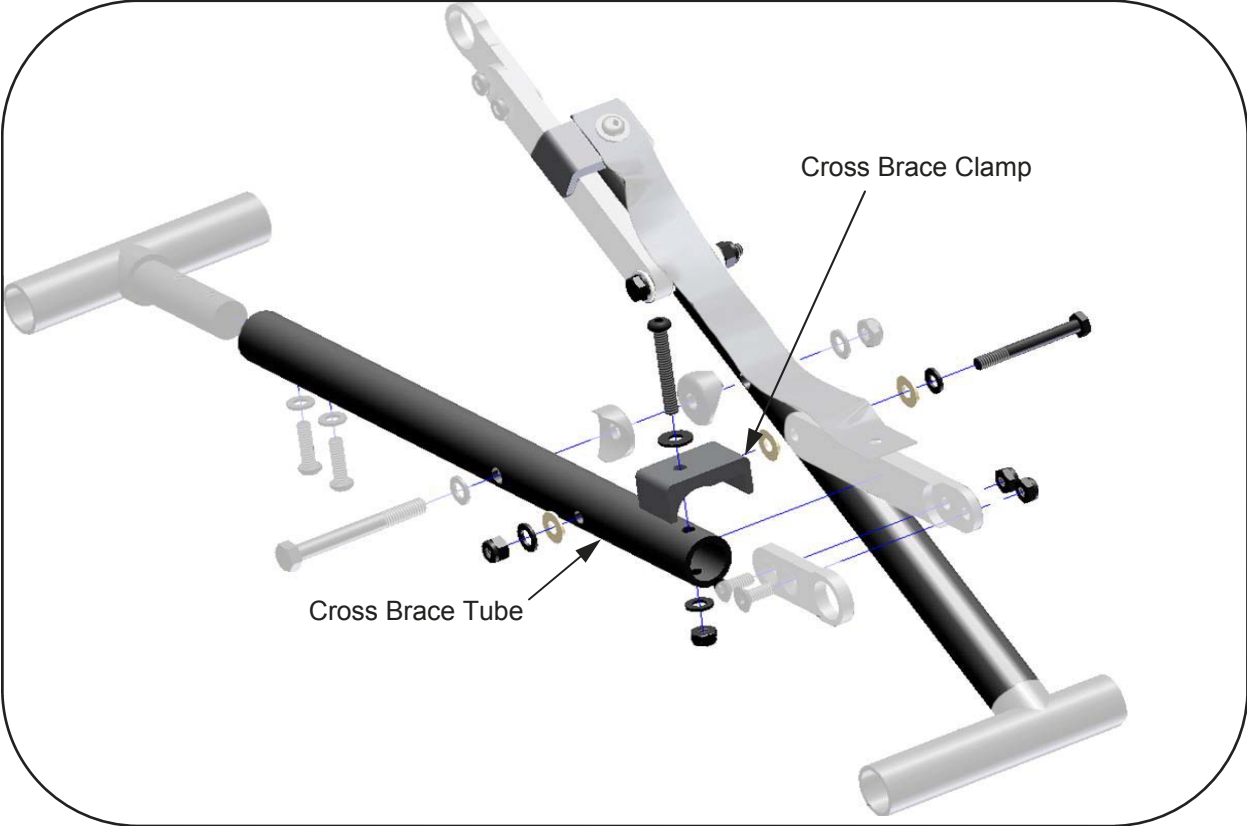
No.	PART #	DESCRIPTION	QTY	No.	PART #	DESCRIPTION	QTY
1	12300	10" Cross Bar Assembly	1 set	2	12300-FP	10" Cross Bar Assembly with Footplates	1 set
	12301	11" Cross Bar Assembly	1 set		12301-FP	11" Cross Bar Assembly with Footplates	1 set
	12302	12" Cross Bar Assembly	1 set		12302-FP	12" Cross Bar Assembly with Footplates	1 set
	12303	13" Cross Bar Assembly	1 set		12303-FP	13" Cross Bar Assembly with Footplates	1 set
	12304	14" Cross Bar Assembly	1 set		12304-FP	14" Cross Bar Assembly with Footplates	1 set
	12305	15" Cross Bar Assembly	1 set		12305-FP	15" Cross Bar Assembly with Footplates	1 set
	12306	16" Cross Bar Assembly	1 set		12306-FP	16" Cross Bar Assembly with Footplates	1 set
	12307	17" Cross Bar Assembly	1 set		12307-FP	17" Cross Bar Assembly with Footplates	1 set
	12308	18" Cross Bar Assembly	1 set		12308-FP	18" Cross Bar Assembly with Footplates	1 set



To order individual rigid cross bars, see page 27—Frames—Rigid

Rigid Cross Bars Only			Rigid Cross Bars & Footplates		
PART #	DESCRIPTION	QTY.	PART #	DESCRIPTION	QTY.
10090	10" Rigid Cross Bar Assembly Only	1 set	10090FP	10" Rigid Cross Bar Assembly / Footplates	1 set
10091	11" Rigid Cross Bar Assembly Only	1 set	10091FP	11" Rigid Cross Bar Assembly / Footplates	1 set
10092	12" Rigid Cross Bar Assembly Only	1 set	10092FP	12" Rigid Cross Bar Assembly / Footplates	1 set
10093	13" Rigid Cross Bar Assembly Only	1 set	10093FP	13" Rigid Cross Bar Assembly / Footplates	1 set
10094	14" Rigid Cross Bar Assembly Only	1 set	10094FP	14" Rigid Cross Bar Assembly / Footplates	1 set
10095	15" Rigid Cross Bar Assembly Only	1 set	10095FP	15" Rigid Cross Bar Assembly / Footplates	1 set
10096	16" Rigid Cross Bar Assembly Only	1 set	10096FP	16" Rigid Cross Bar Assembly / Footplates	1 set
10097	17" Rigid Cross Bar Assembly Only	1 set	10097FP	17" Rigid Cross Bar Assembly / Footplates	1 set
10098	18" Rigid Cross Bar Assembly Only	1 set	10098FP	18" Rigid Cross Bar Assembly / Footplates	1 set

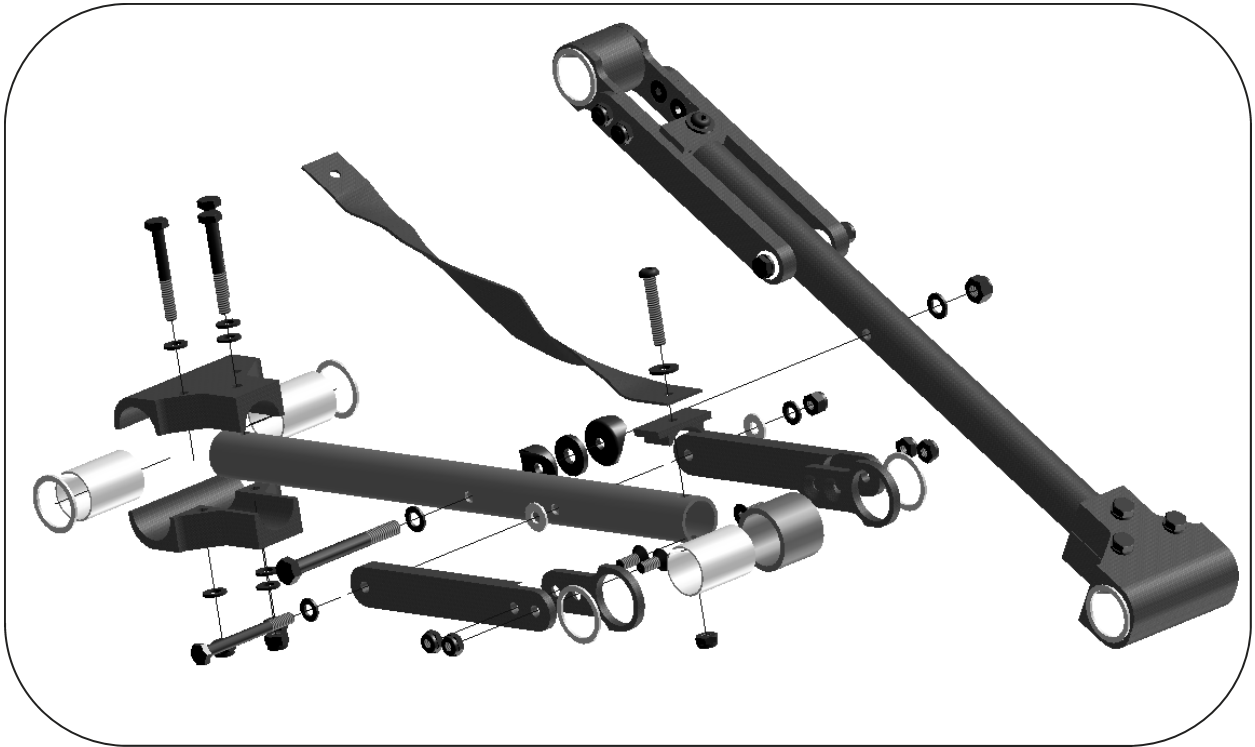
CROSS BRACES— Serial No. SP3-17290—SP3-17599



1

Please provide frame serial number and chair width.

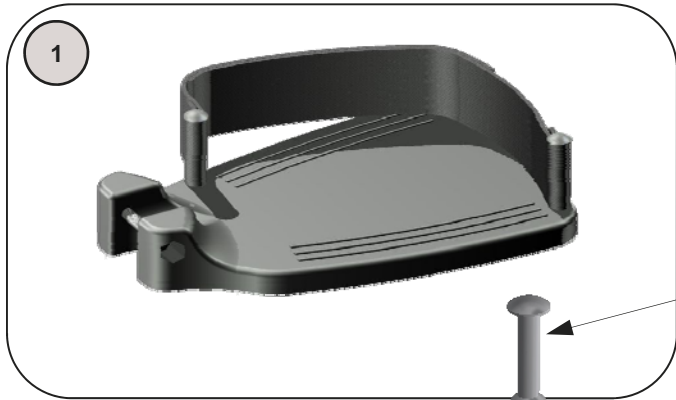
CROSS BRACES—Serial No. up to SP3-17289



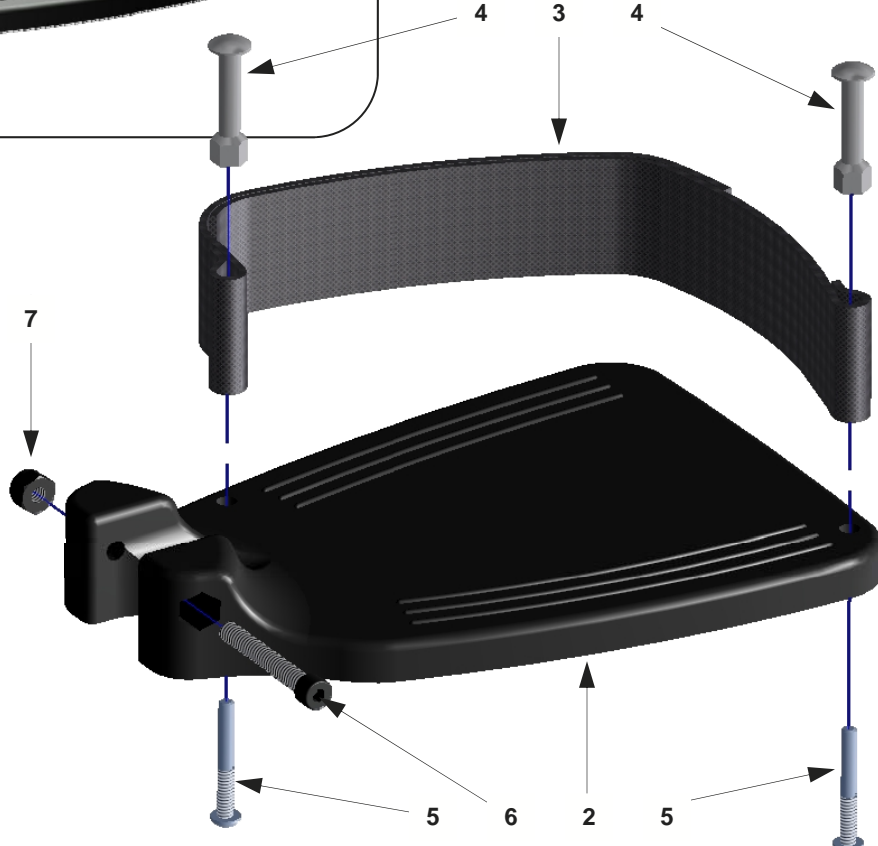
Contact Customer Service for all cross brace replacement parts .

**Please provide frame serial
Number, chair width and chair depth.**

FOOTRESTS—Composite Flip-up Footplate

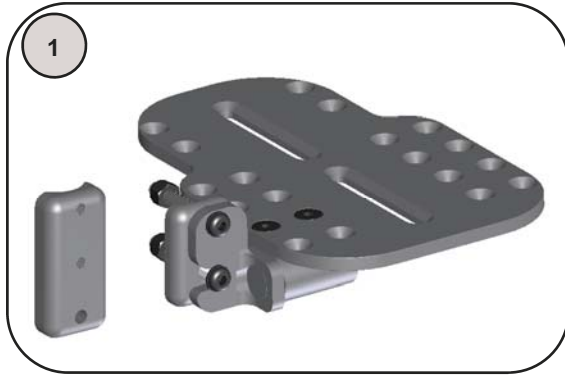


This footplate is only for use with hangers or elevating legrest shown on pages 29, 30 & 33.

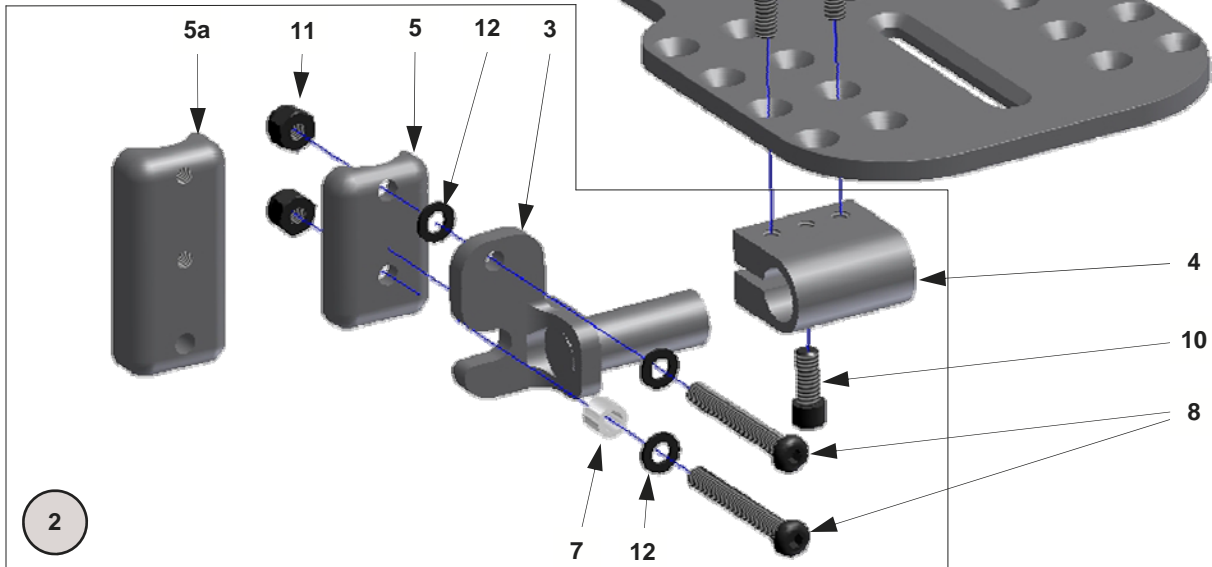


No.	PART #	DESCRIPTION	QTY	No.	PART #	DESCRIPTION	QTY
1	20071	Footplate Assemblies—12-13"	1 pr.		20075-L	Footplate—12-13", Left	1 ea.
	20071-R	Footplate Assembly—12-13", Right	1 ea.		20076-R	Footplate—14-15", Right	1 ea.
	20071-L	Footplate Assembly—12-13", Left	1 pr.		20076-L	Footplate—14-15", Left	1 ea.
	20072	Footplate Assemblies—14-15"	1 pr.		20077-R	Footplate—16-17", Right	1 ea.
	20072-R	Footplate Assembly—14-15", Right	1 ea.		20077-L	Footplate—16-17", Left	1 ea.
	20072-L	Footplate Assembly—14-15", Left	1 ea.		20078-R	Footplate—18", Right	1 ea.
	20073	Footplate Assemblies—16-17"	1 pr.		20078-L	Footplate—18", Left	1 ea.
	20073-R	Footplate Assembly—16-17", Right	1 ea.	3	EE9D	Heel Loops	1 pr.
	20073-L	Footplate Assembly—16-17", Left	1 ea.	4	9108	Heel Loop Mount Stud	1 ea.
	20074	Footplate Assemblies—18"	1 pr.	5	9109	Heel Loop Mount Screw	1 ea.
	20074-R	Footplate Assembly—18", Right	1 ea.	6	9064	Screw—1/4 x 1 3/4" Socket Head	1 ea.
	20074-L	Footplate Assembly—18", Left	1 ea.	7	9072	Locknut—1/4" Nylon	1 ea.
2	20075-R	Footplate—12-13", Right	1 ea.				

FOOTRESTS—Flip Up Footplate

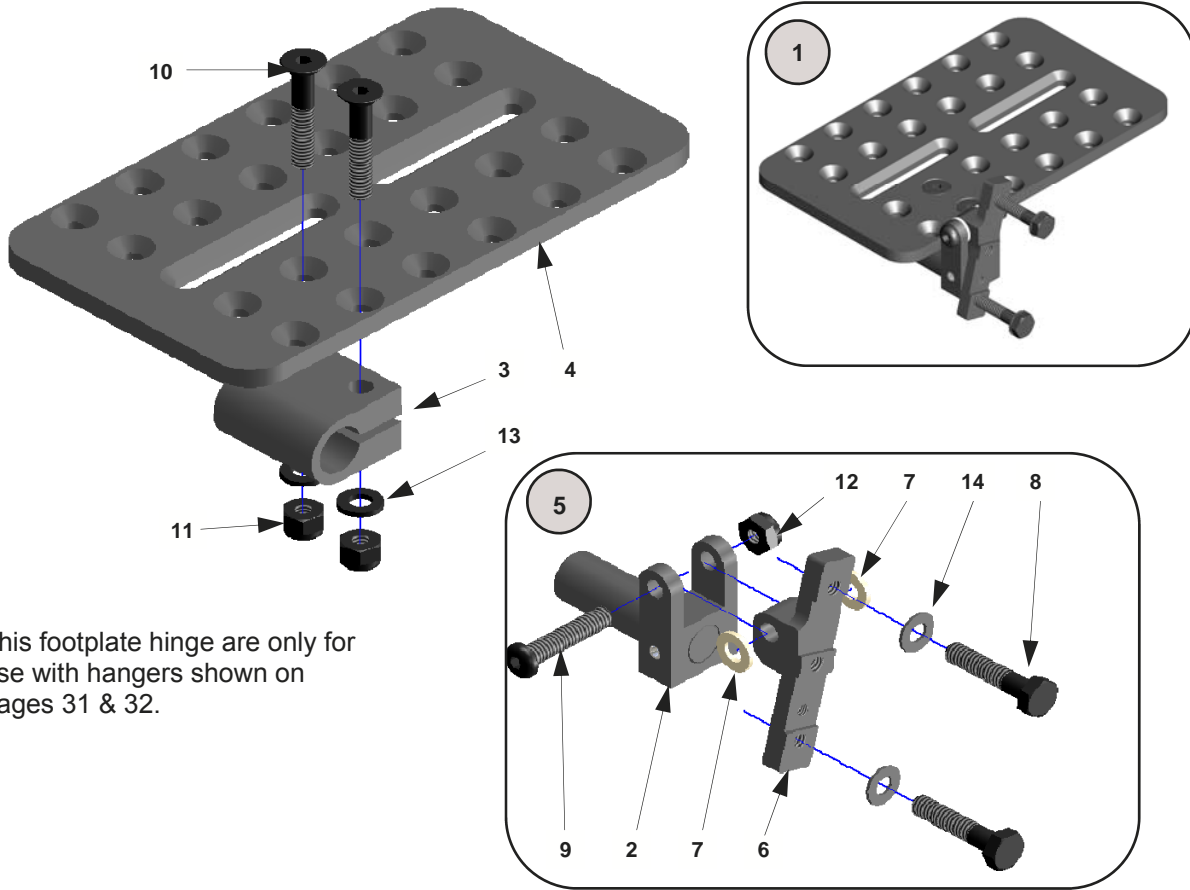


This footplate hinge is only for use with hangers or elevating legrest shown on pages 29, 30 & 33.



No.	PART #	DESCRIPTION	QTY	No.	PART #	DESCRIPTION	QTY
1	20050	Flip Up Footplate Assy, 10-11"	1 pr.	20051-L	Pivot Arm Assembly—Left	1 ea.	
	20050-R	Flip Up Footplate Assy, 10-11, Rt.	1 ea.	3	20065-R	Pivot Arm—Right	1 ea.
	20050-L	Flip Up Footplate Assy, 10-11", Lt.	1 ea.		20065-L	Pivot Arm—Left	1 ea.
	20060	Flip Up Footplate Assy, 12-13"	1 pr.	4	20066	Footplate Swivel Clamp	1 ea.
	20060-R	Flip Up Footplate Assy, 12-13", Rt.	1 ea.	5	20067	Hanger Spacer	1 ea.
	20060-L	Flip Up Footplate Assy, 12-13", Lt.	1 ea.	5a	20068	Hanger Spacer—Extended	1 ea.
	20061	Flip Up Footplate Assy, 14-15"	1 pr.	6	3019	Footplate—Flip Up Angle Adj., 10-11"	1 ea.
	20061-R	Flip Up Footplate Assy, 14-15, Rt.	1 ea.		3020	Footplate—Flip Up Angle Adj., 12-13"	1 ea.
	20061-L	Flip Up Footplate Assy, 14-15", Lt.	1 ea.		3021	Footplate—Flip Up Angle Adj., 14-15"	1 ea.
	20062	Flip Up Footplate Assy, 16-17"	1 pr.		3022	Footplate—Flip Up Angle Adj., 16-17"	1 ea.
	20062-R	Flip Up Footplate Assy, 16-17, Rt.	1 ea.		3023	Footplate—Flip Up Angle Adj., 18"	1 ea.
	20062-L	Flip Up Footplate Assy, 16-17", Lt.	1 ea.	7	20069	Footplate Pivot Spacer	1 ea.
	20063	Flip Up Footplate Assy, 18"	1 pr.	8	9037	Screw—1/4-20 x 2" Button Head	1 ea.
	20063-R	Flip Up Footplate Assy, 18, Rt.	1 ea.	9	9053	Screw—1/4-20 x 5/8" Flat Head	1 ea.
	20063-L	Flip Up Footplate Assy, 18", Lt.	1 ea.	10	9107	Screw—1/4-20 x 5/8" Socket Head	1 ea.
2	20051	Pivot Arm Assemblies	1 pr.	11	9072	Locknut—1/4-20 Nylon	1 ea.
	20051-R	Pivot Arm Assembly—Right	1 ea.	12	9074	Washer—1/4" Flat	1 ea.

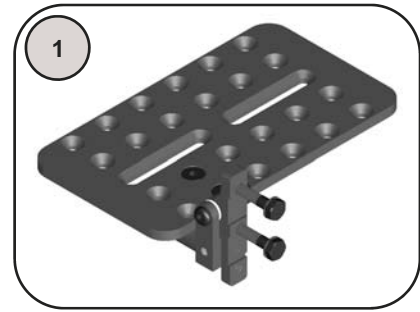
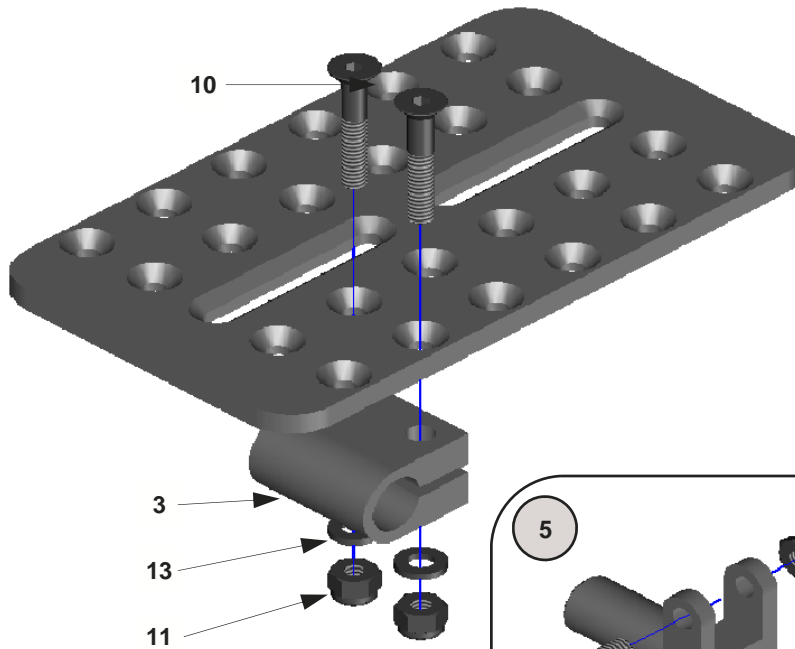
FOOTRESTS—75° Flip Up Footplates (discontinued)



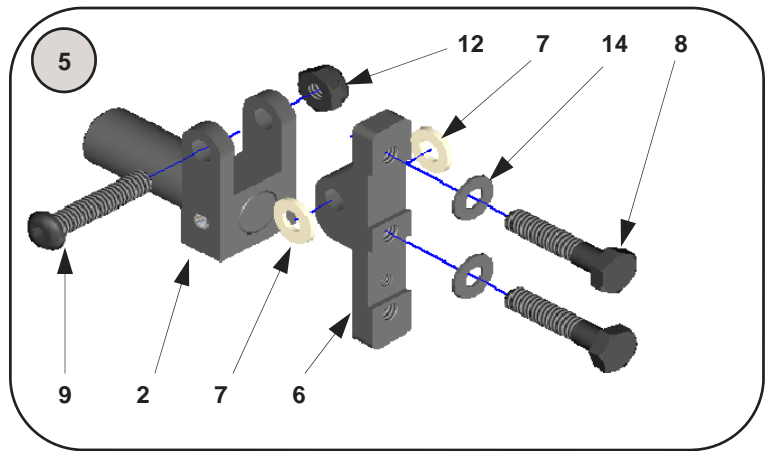
This footplate hinge are only for use with hangers shown on pages 31 & 32.

No.	PART #	DESCRIPTION	QTY	No.	PART #	DESCRIPTION	QTY
1	13036	Flip Up Footplate Assy, 75°, 10-11"	1 pr.	4	3019	Footplate—Flip Up Angle Adj., 10-11"	1 ea.
	13036-R	Flip Up Footplate Assy, 75°, 10-11, Rt.	1 ea.		3020	Footplate—Flip Up Angle Adj., 12-13"	1 ea.
	13036-L	Flip Up Footplate Assy, 75°, 10-11", Lt.	1 ea.		3021	Footplate—Flip Up Angle Adj., 14-15"	1 ea.
	13037	Flip Up Footplate Assy, 75°, 12-13"	1 pr.		3022	Footplate—Flip Up Angle Adj., 14-15"	1 ea.
	13037-R	Flip Up Footplate Assy, 75°, 12-13", Rt.	1 ea.		3023	Footplate—Flip Up Angle Adj., 18"	1 ea.
	13037-L	Flip Up Footplate Assy, 75°, 12-13", Lt.	1 ea.	5	3082-R	Footplate Hinge Assembly—75° Right	1 ea.
	13038	Flip Up Footplate Assy, 75°, 14-15"	1 pr.		3082-L	Footplate Hinge Assembly—75° Left	1 ea.
	13038-R	Flip Up Footplate Assy, 75°, 14-15, Rt.	1 ea.	6	3083-R	Mount Plate—75° Right	1 ea.
	13038-L	Flip Up Footplate Assy, 75°, 14-15", Lt.	1 ea.		3083-L	Mount Plate—75° Left	1 ea.
	13039	Flip Up Footplate Assy, 75°, 16-17"	1 pr.	7	9010	Washer—1/4" Flat Nylon	1 ea.
	13039-R	Flip Up Footplate Assy, 75°, 16-17, Rt.	1 ea.	8	9020	Screw—1/4 x 1 1/4" Hex Head	1 ea.
	13039-L	Flip Up Footplate Assy, 75°, 16-17", Lt.	1 ea.	9	9034	Screw—1/4 x 1 1/4" Button Head	1 ea.
	13040	Flip Up Footplate Assy, 75°, 18"	1 pr.	10	9049	Screw—1/4 x 1 1/2" Flat Head	1 ea.
	13040-R	Flip Up Footplate Assy, 75°, 18, Rt.	1 ea.	11	9072	Locknut—1/4" Nylon	1 ea.
	13040-L	Flip Up Footplate Assy, 75°, 18", Lt.	1 ea.	12	9073	Locknut—1/4" Thin Nylon	1 ea.
2	3016	Footplate Flip Arm	1 ea.	13	9074	Washer—1/4" Flat	1 ea.
3	3018	Footplate Swivel Clamp	1 ea.	14	9075	Washer—1/4" Thin Flat	1 ea.

FOOTRESTS—90° Flip Up Footplate (discontinued)

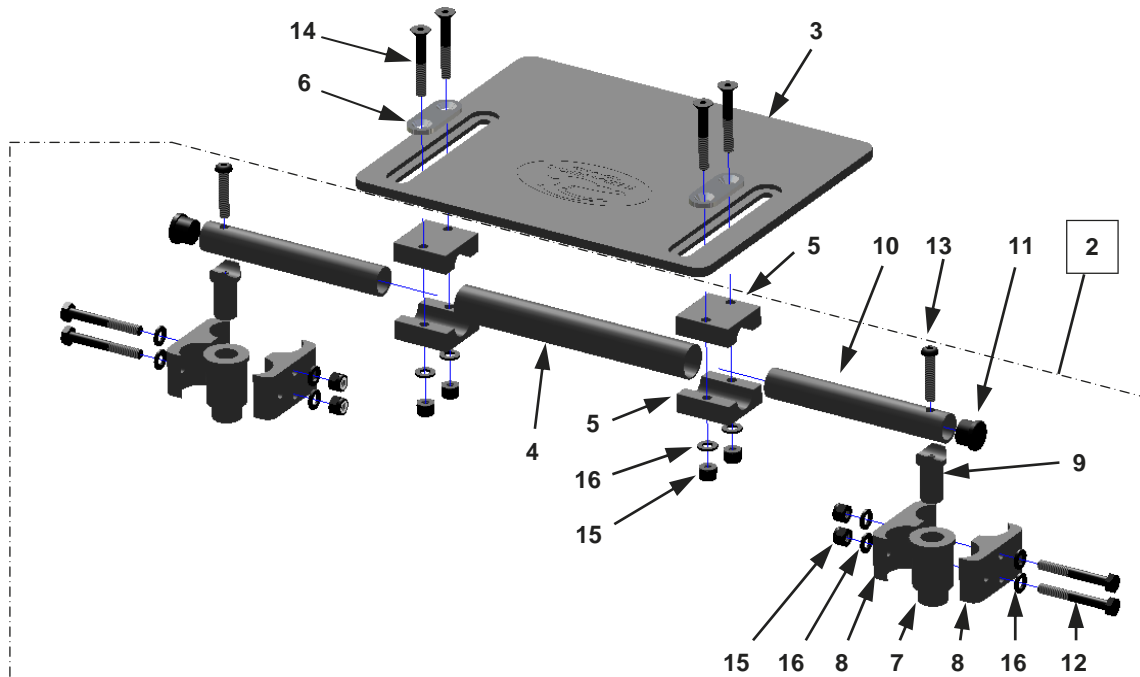


This footplate hinge are only for use with hangers or elevating legrest shown on pages 31, 32, & 34.



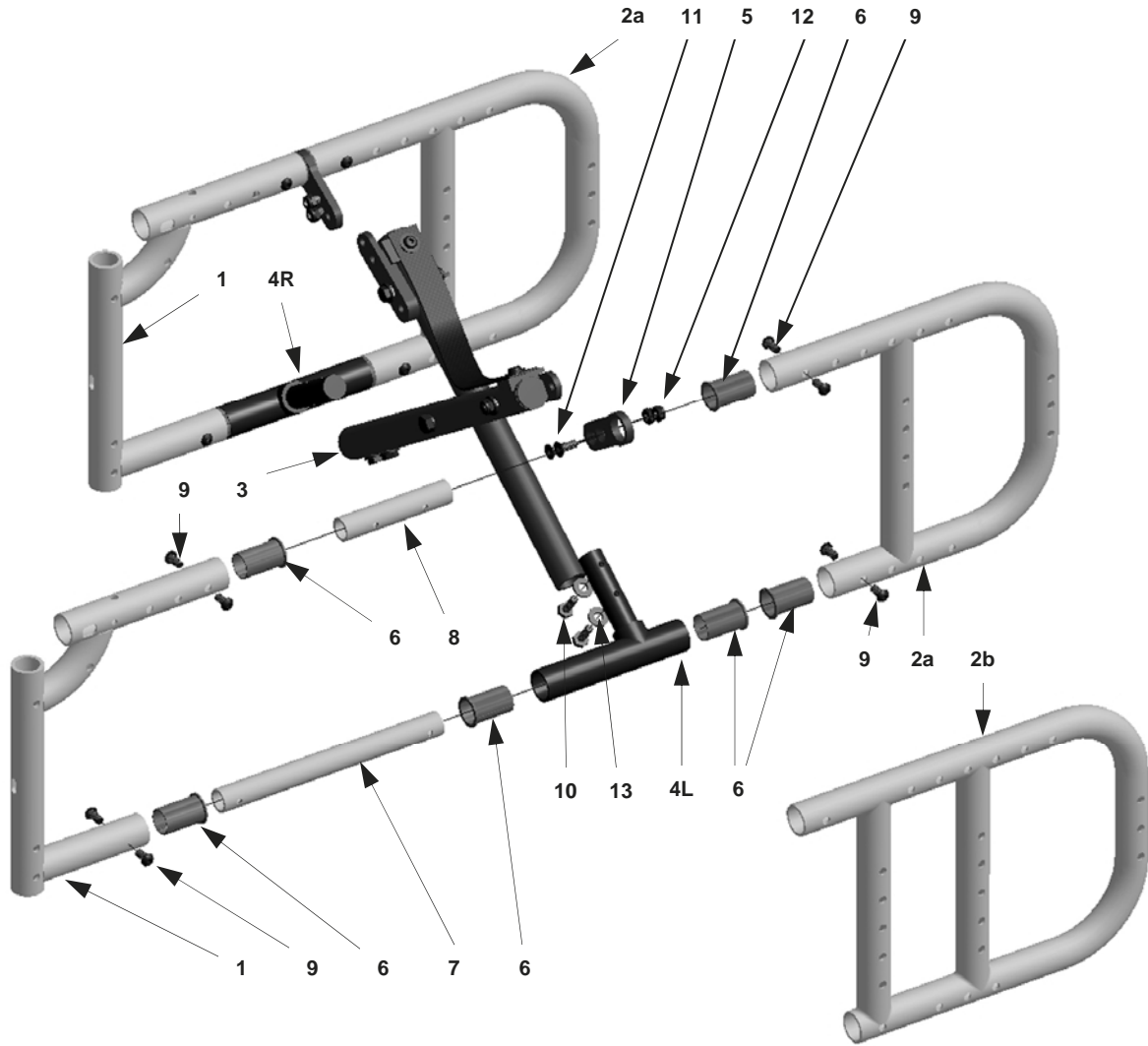
No.	PART #	DESCRIPTION	QTY	No.	PART #	DESCRIPTION	QTY
1	13031	Flip Up Footplate Assy, 90°, 10-11"	1 pr.	4	3019	Footplate—Flip Up Angle Adj., 10-11"	1 ea.
	13031-R	Flip Up Footplate Assy, 90°, 10-11, Rt.	1 ea.		3020	Footplate—Flip Up Angle Adj., 12-13"	1 ea.
	13031-L	Flip Up Footplate Assy, 90°, 10-11", Lt.	1 ea.		3021	Footplate—Flip Up Angle Adj., 14-15"	1 ea.
	13032	Flip Up Footplate Assy, 90°, 12-13"	1 pr.		3022	Footplate—Flip Up Angle Adj., 16-17"	1 ea.
	13032-R	Flip Up Footplate Assy, 90°, 12-13", Rt.	1 ea.		3023	Footplate—Flip Up Angle Adj., 18"	1 ea.
	13032-L	Flip Up Footplate Assy, 90°, 12-13", Lt.	1 ea.	5	3084	Footplate Hinge Assembly—90°	1 ea.
	13033	Flip Up Footplate Assy, 90°, 14-15"	1 pr.		3084-2	Footplate Hinge Assemblies—90°	1 pr.
	13033-R	Flip Up Footplate Assy, 90°, 14-15, Rt.	1 ea.	6	3085	Mount Plate—90°	1 ea.
	13033-L	Flip Up Footplate Assy, 90°, 14-15", Lt.	1 ea.	7	9010	Washer—1/4" Flat Nylon	1 ea.
	13034	Flip Up Footplate Assy, 90°, 16-17"	1 pr.	8	9020	Screw—1/4 x 1 1/4" Hex Head	1 ea.
	13034-R	Flip Up Footplate Assy, 90°, 16-17, Rt.	1 ea.	9	9034	Screw—1/4 x 1 1/4" Button Head	1 ea.
	13034-L	Flip Up Footplate Assy, 90°, 16-17", Lt.	1 ea.	10	9049	Screw—1/4 x 1 1/2" Flat Head	1 ea.
	13035	Flip Up Footplate Assy, 90°, 18"	1 pr.	11	9072	Locknut—1/4" Nylon	1 ea.
	13035-R	Flip Up Footplate Assy, 90°, 18, Rt.	1 ea.	12	9073	Locknut—1/4" Thin Nylon	1 ea.
	13035-L	Flip Up Footplate Assy, 90°, 18", Lt.	1 ea.	13	9074	Washer—1/4" Flat	1 ea.
2	3016	Footplate Flip Arm	1 ea.	14	9075	Washer—1/4" Thin Flat	1 ea.
3	3018	Footplate Swivel Clamp	1 ea.				

FOOTRESTS—Removable Footboard



No.	PART #	DESCRIPTION	QTY	No.	PART #	DESCRIPTION	QTY
1	10200	Removable Footboard Assy, 10-11"	1 ea.		3033	Spacer Tube, 12-13"	1 ea.
	10201	Removable Footboard Assy, 12-13"	1 ea.		3034	Spacer Tube, 14-15"	1 ea.
	10202	Removable Footboard Assy, 14-15"	1 ea.		3035	Spacer Tube, 16-17"	1 ea.
	10203	Removable Footboard Assy, 16-17"	1 ea.		3036	Spacer Tube, 18"	1 ea.
	10204	Removable Footboard Assy, 18"	1 ea.	5	3027	Footboard Clamp	1 ea.
2	13167	Hardware Assembly, 10-11"	1 ea.	6	3028	Clamp Plate	1 ea.
	13168	Hardware Assembly, 12-13"	1 ea.	7	3029	Receiver Assembly	1 ea.
	13169	Hardware Assembly, 14-15"	1 ea.	8	3024	Frame Clamp	1 ea.
	13170	Hardware Assembly, 16-17"	1 ea.	9	3025	Locking Insert	1 ea.
	13171	Hardware Assembly, 18"	1 ea.	10	3026	Adjustment Tube	1 ea.
3	2037	Removable Footboard, 10-11"	1 ea.	11	3099	Tube Plug-3/4"	1 ea.
	2038	Removable Footboard, 12-13"	1 ea.	12	9023	Screw-1/4 x 2" Hex Head	1 ea.
	2039	Removable Footboard, 14-15"	1 ea.	13	9034	Screw-1/4 x 1 1/4" Button Head	1 ea.
	2040	Removable Footboard, 16-17"	1 ea.	14	9050	Screw-1/4 x 1 3/4" Flat Head	1 ea.
	2041	Removable Footboard, 18"	1 ea.	15	9072	Locknut-1/4 Nylon	1 ea.
4	3032	Spacer Tube, 10-11"	1 ea.	16	9074	Washer-1/4" Flat	1 ea.

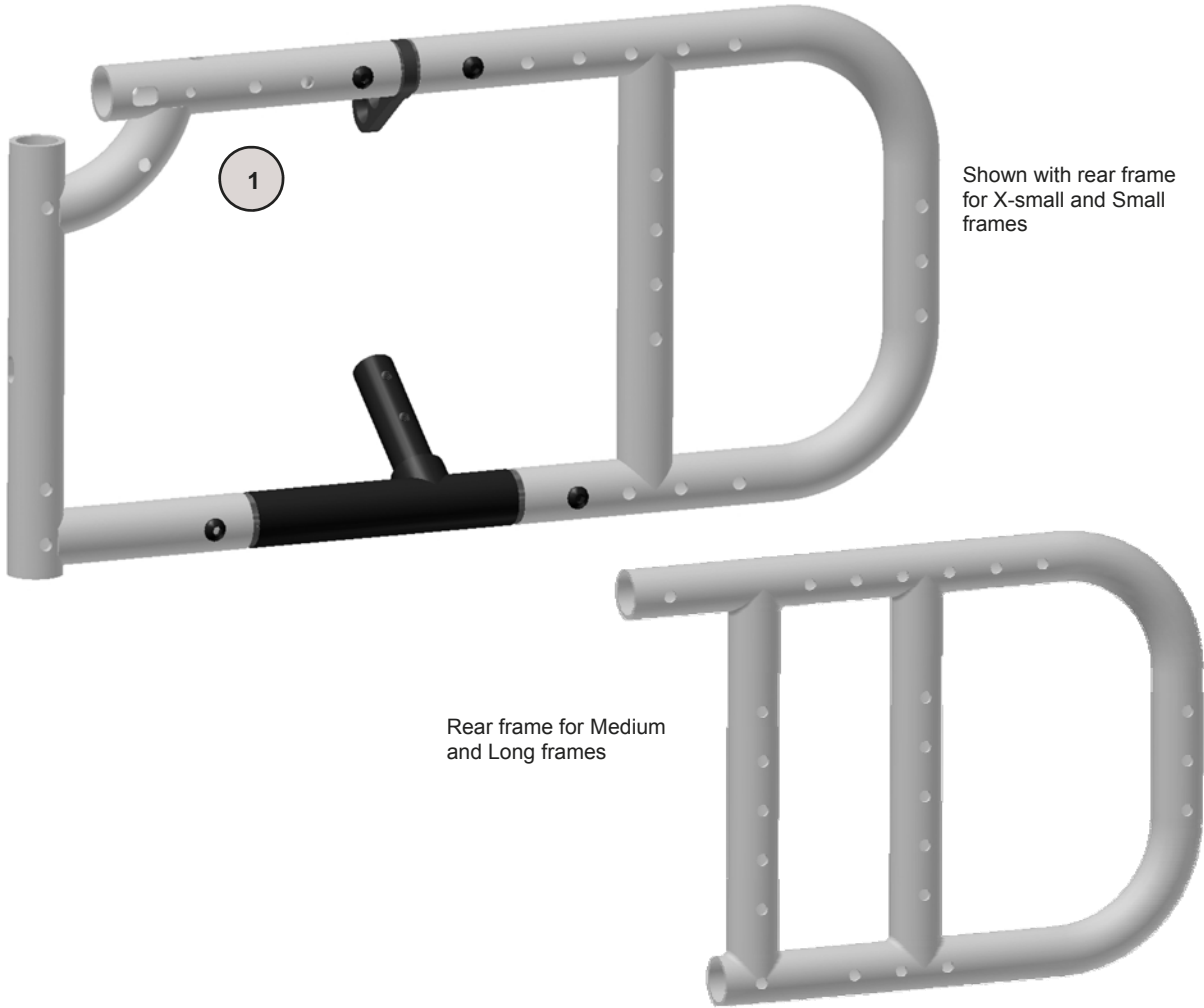
FRAMES—Folding



Note:
 Item 2 sizes 2a is used for X-small and Small frames
 2b is used for Medium and Long frames

No.	PART #	DESCRIPTION	QTY	No.	PART #	DESCRIPTION	QTY
1	12320-S	Front Frame—Short	1 ea.	6	12325	Sleeve Bearing	1 ea.
	12320-M	Front Frame—Medium	1 ea.	7	12322	Inner Frame Tube—Lower	1 ea.
	12320-L	Front Frame—Long	1 ea.	8	12323	Inner Frame Tube—Upper	1 ea.
2a	12321-S	Rear Frame—Short	1 ea.	9	9031	Screw—1/4-20 X 1/2" Button Head	1 ea.
2b	12321-L	Rear Frame—Long	1 ea.	10	9032	Screw—1/4-20 X 3/4" Button Head	1 ea.
3	————	Cross Bar Assembly- See Page 15	1 ea.	11	9046	Screw—1/4-20 X 3/4" Flat Head	1 ea.
4	12324-R	Cross Bar Hinge—Right	1 ea.	12	9073	Locknut—1/4-20 Thin Nylon	1 ea.
	12324-L	Cross Bar Hinge—Left	1 ea.	13	90724	Washer—1/4" Flat	1 ea.
5	2042	Cross Brace Link Hinge	1 ea.				

SIDEFRAME—Growth Kits—Folding



Shown with rear frame for X-small and Small frames

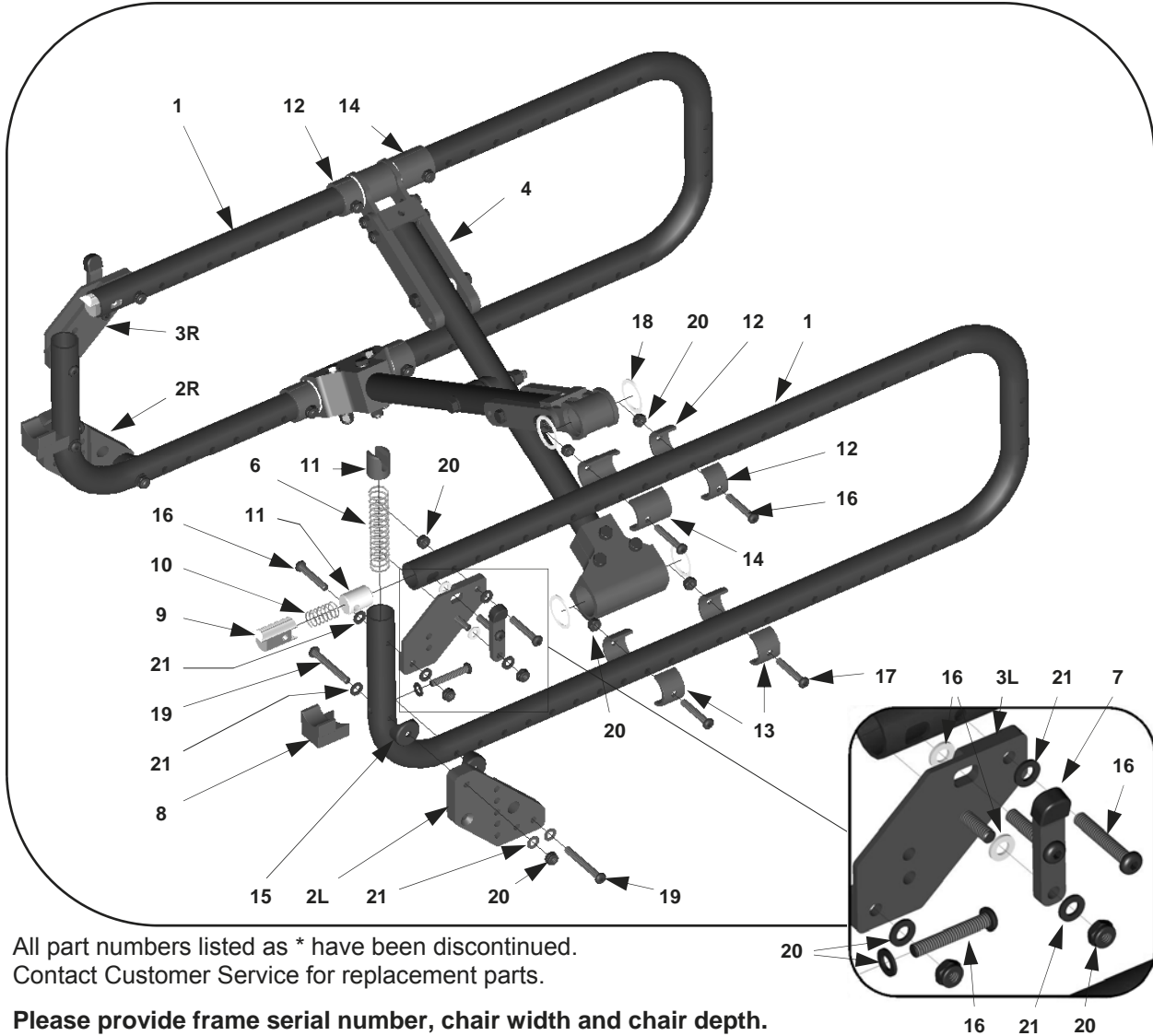
Rear frame for Medium and Long frames

ITEM	PART #	DESCRIPTION	QTY
1	12315-R	Sideframe—X-Small, Right, 10" - 14"	1 ea.
	12315-L	Sideframe—X-Small, Left, 10" - 14"	1 ea.
	12316-R	Sideframe—Small, Right, 13" - 17"	1 ea.
	12316-L	Sideframe—Small, Left, 13" - 17"	1 ea.
	12313-R	Sideframes—Medium, Right, 15" - 19"	1 pr.
	12313-L	Sideframes—Medium, Left, 15" - 19"	1 pr.
	12314-R	Sideframe—Long, Right, 17" -21"	1 ea.
	12314-L	Sideframe—Long, Left, 17" -21"	1 ea.

SIDEFRAME ASSEMBLIES **DO NOT** INCLUDE:

- FOOTPLATES OR FOOTREST HANGERS
- MOUNTING HARDWARE FOR FOOTRESTS, FOOTREST HANGERS, CASTERS OR WHEELS

FRAMES—(Discontinued)

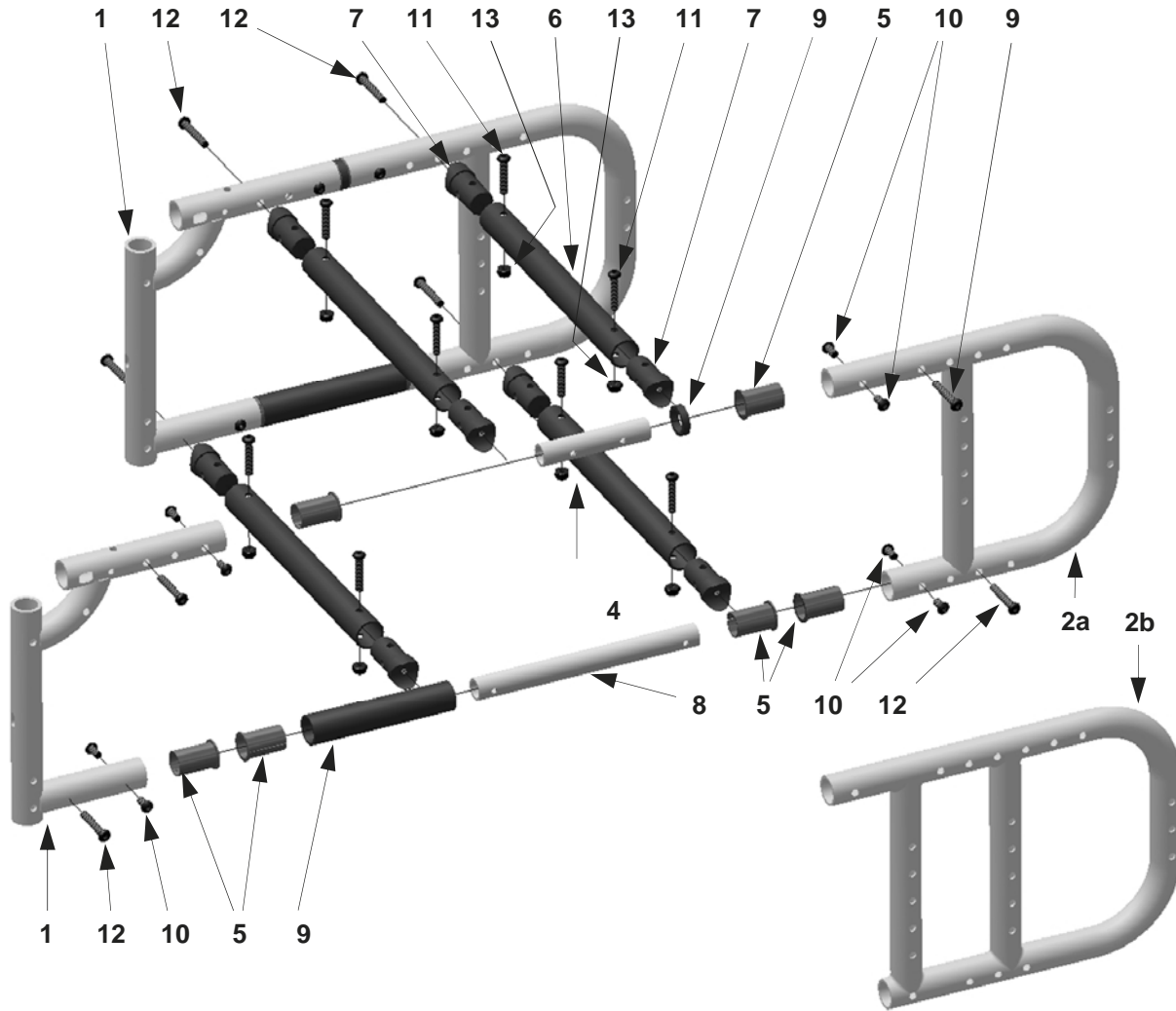


All part numbers listed as * have been discontinued.
Contact Customer Service for replacement parts.

Please provide frame serial number, chair width and chair depth.

No.	PART #	DESCRIPTION	QTY	No.	PART #	DESCRIPTION	QTY
1	*	Frame—Regular	1 ea..	10	1012	Latch Spring	1 ea.
	*	Frame—Long	1 ea.	11	1013	Frame Insert	1 ea.
2	*	Caster Mount Plate—Right	1 ea.	12	*	Retaining Clip—3/4"	1 ea.
	*	Caster Mount Plate—Left	1 ea.	13	*	Retaining Clip—7/8"	1 ea.
3	*	Hanger Mount Plate—Right	1 ea.	14	*	Retaining Clip—1 1/2"	1 ea.
	*	Hanger Mount Plate—Left	1 ea.	15	9005A	1" Saddle for 1/4" Screw	1 ea.
4	—	Cross Bar Assembly—See page 16	1 EA.	16	9010	Washer—1/4" Flat Nylon	1 ea.
5	13016	Pop Up Plug	1 ea.	17	9021	Screw—1/4-20 X 1 1/2" Button Head	1 ea.
6	13017	Pop Up Spring—75° Hanger	1 ea.	18	9029	Spacer Washer—1" ID x 1 1/4" OD	1 ea.
	13018	Pop Up Spring—90° Hanger	1 ea.	19	9037	Screw—1/4-20 X 2" Button Head	1 ea.
7	13019	Release Lever Assembly	1 ea.	20	9073	Locknut—1/4-20 Thin Nylon	1 ea.
8	13023	Hanger Support	1 ea.	21	9074	Washer—1/4" Flat	1 ea.
9	1011	Hanger Latch	1 ea.				

FRAMES -Rigid

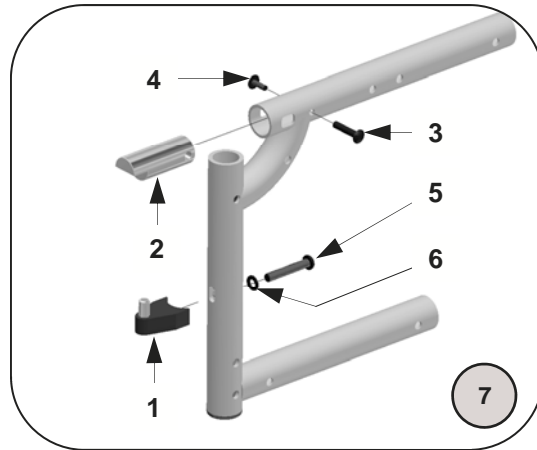


Note:
 Item 2 sizes 2a is used for X-small and Small frames
 2b is used for Medium and Long frames

No.	PART #	DESCRIPTION	QTY	No.	PART #	DESCRIPTION	QTY
1	14042	Front Frame—Medium	1 ea.		2065	Cross Tube—Rigid, 15"	1 ea.
	14043	Front Frame—Long	1 ea.		2066	Cross Tube—Rigid, 16"	1 ea.
2a	12321-S	Rear Frame—Short	1 ea.		2067	Cross Tube—Rigid, 17"	1 ea.
2b	12321-L	Rear Frame—Long	1 ea.		2068	Cross Tube—Rigid, 18"	1 ea.
3	14035	Inner Frame Tube—Lower	1 ea.	7	2069	Tube End Fitting	1 ea.
4	14036	Inner Frame Tube—Upper	1 ea.	8	2070	Spacer Tube—Cross Brace	1 ea.
5	14047	Sleeve Bearing	1 ea.	9	14009	Spacer—Link Hinge	1 ea.
6	2071	Cross Tube—Rigid, 10"	1 ea.	10	9031	Screw—1/4-20 X 1/2" Button Head	1 ea.
	2072	Cross Tube—Rigid, 11"	1 ea.	11	9034	Screw—1/4-20 X 1 1/4" Button Head	1 ea.
	2062	Cross Tube—Rigid, 12"	1 ea.	12	9035	Screw—1/4-20 X 1 1/2" Button Head	1 ea.
	2063	Cross Tube—Rigid, 13"	1 ea.	13	9073	Locknut—1/4" Thin Nylon	1 ea.
	2064	Cross Tube—Rigid, 14"	1 ea.				

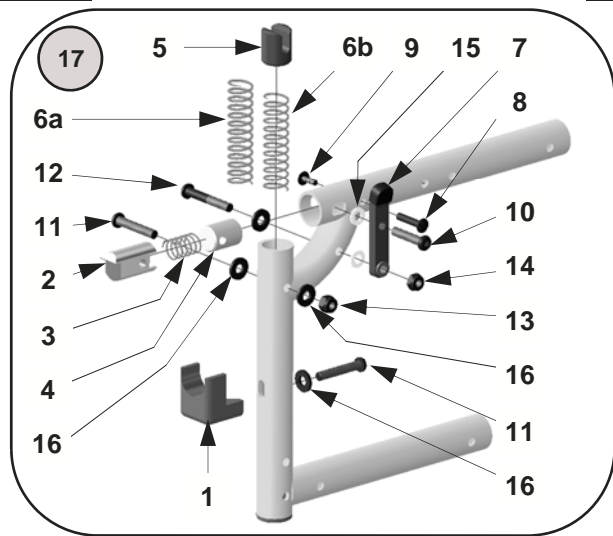
HANGERS — Complete Hanger Retro & Components

Latch Style



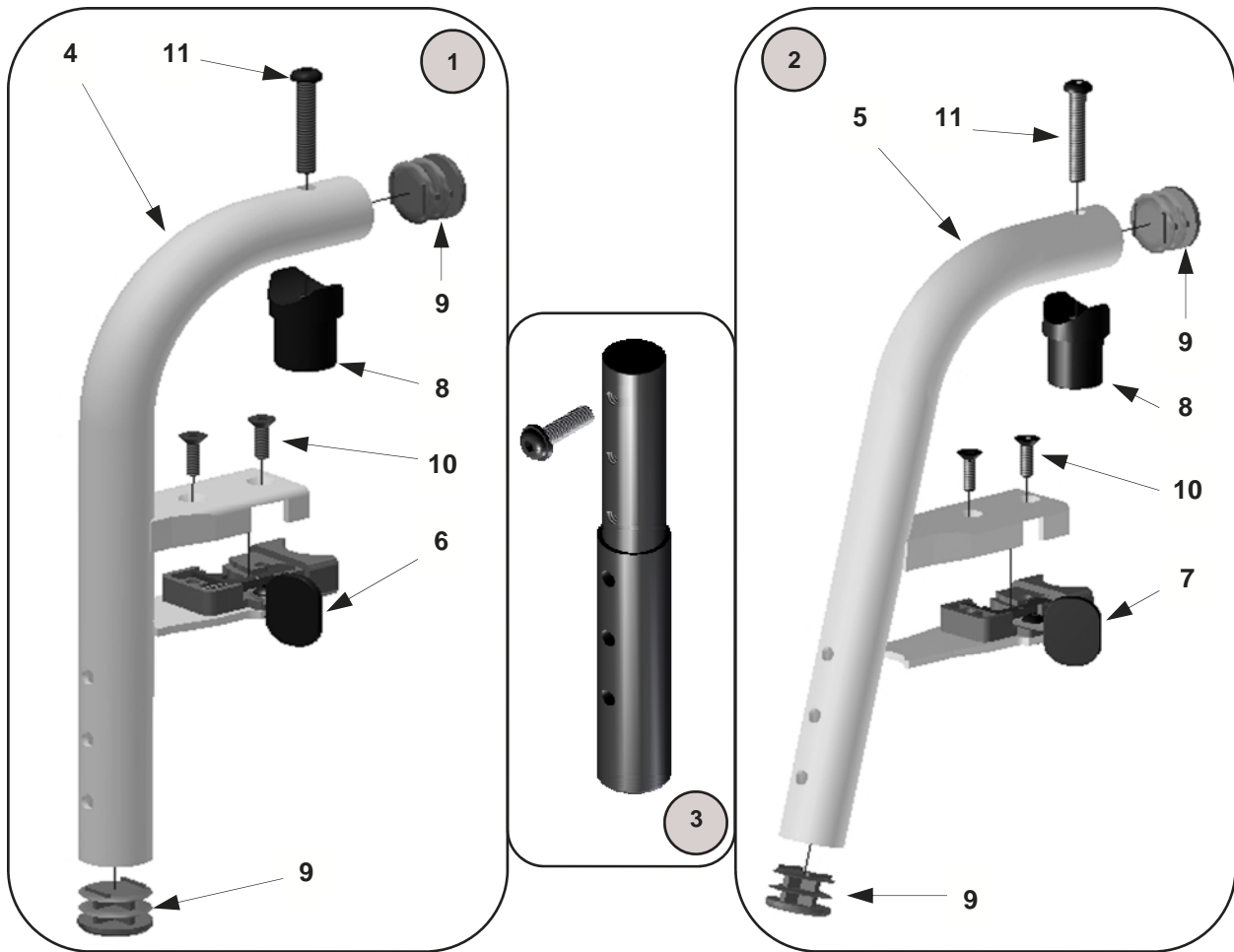
No.	PART #	DESCRIPTION	QTY	No.	PART #	DESCRIPTION	QTY
1	13020	Hanger Support—Latch Style	1 ea.	5	9035	Screw—1/4-20 x 1 1/2" Button Head	1 ea.
2	20090	Retainer Plug	1 ea.	6	9074	Washer—1/4" Flat	1 ea.
3	9100	Binding Screw—Female	1 ea.	7	20079	Pop-up to Latch Kit 75° & 90° (all items in box + hangers, see page 30)	1 set
4	9101	Binding Screw—Male	1 ea.		20079-1	Pop-up to Latch Kit 75° & 90° (all items in box + hangers, see page 30)	1 ea

Pop Up Style



No.	PART #	DESCRIPTION	QTY	No.	PART #	DESCRIPTION	QTY
1	13015	Hanger Support—Pop-Up	1 ea.	10	9034	Screw—1/4-20 x 1 1/4" Button Head	1 ea.
2	1011	Hanger Latch	1 ea.	11	9035	Screw—1/4-20 x 1 1/2" Button Head	1 ea.
3	1012	Latch Spring	1 ea.	12	9036	Screw—1/4-20 x 1 3/4" Button Head	1 ea.
4	1013	Seat Insert	1 ea.	13	9072	Locknut—1/4"-20, Nylon	1 ea.
5	13016	Pop Up Plug	1 ea.	14	9073	Locknut—1/4"-20, Thin Nylon	1 ea.
6a	13017	Pop Up Spring—75° Hanger	1 ea.	15	9074	Washer—1/4" Flat	1 ea.
6b	13018	Pop Up Spring—90° Hanger	1 ea.	16	9010	Washer—1/4" Flat Plastic	1 ea.
7	13019	Hanger Release Lever Assembly	1 ea.	17	13300-75	Latch to Pop-up Kit 75° (all items in box except 8b + hangers, see page 31)	1 set
8	9100	Binding Screw—Female	1 ea.		13300-90	Latch to Pop-up Kit 90° (all items in box except 8a + hangers, see page 31)	1 set
9	9101	Binding Screw—Male	1 ea.				

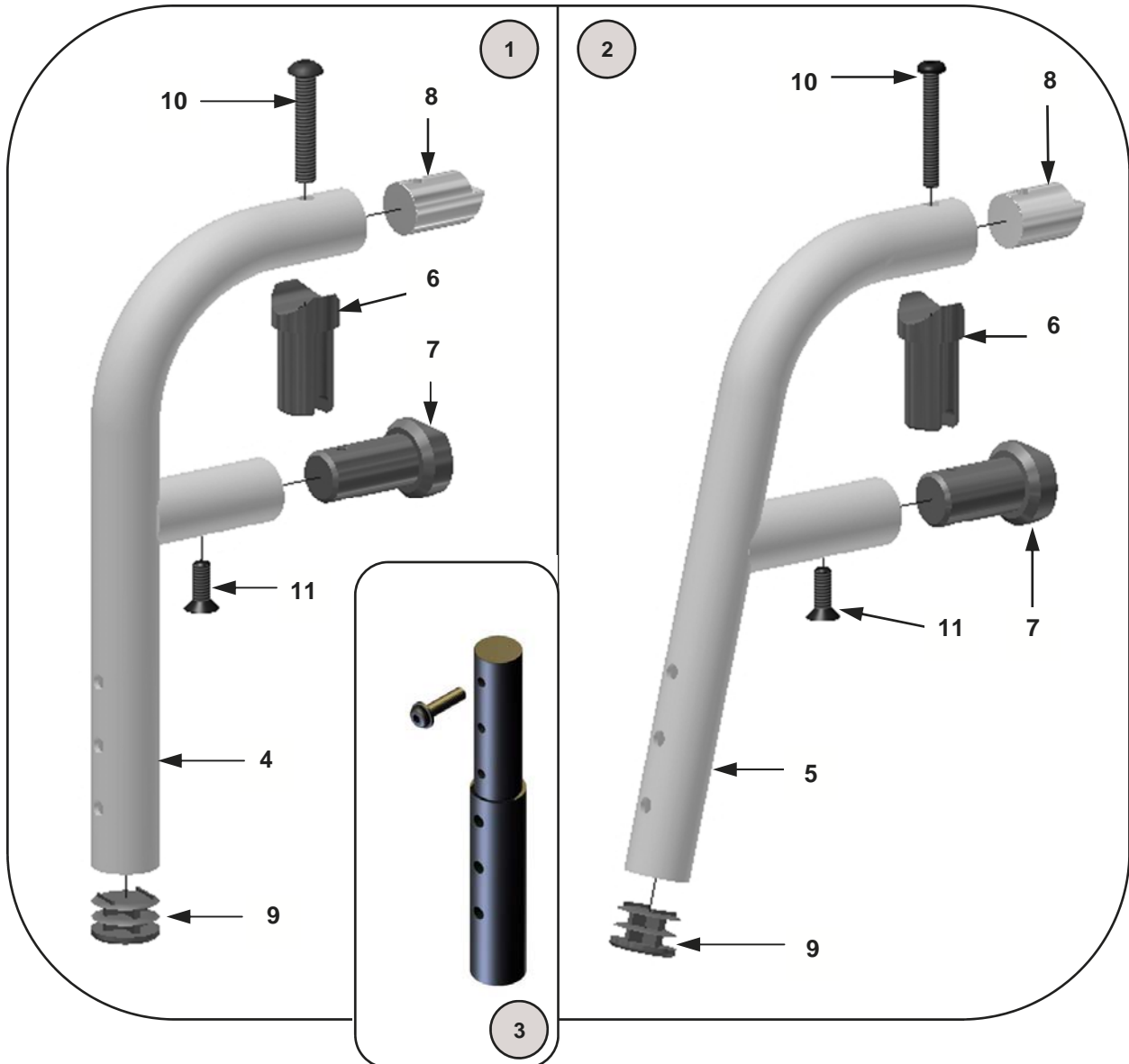
HANGERS—Latch Style



These hangers require footplate assemblies shown on pages 20 & 21.

No.	PART #	DESCRIPTION	QTY	No.	PART #	DESCRIPTION	QTY
1	20080-R	Latch Style Hanger Assy—90°, Rt.	1 ea.	5	20085-R	Latch Style Hanger Tube—75°, Rt.	1 ea.
	20080-L	Latch Style Hanger Assy—90°, Lt.	1 ea.		20085-L	Latch Style Hanger Tube—75°, Lt.	1 ea.
	20080	Latch Style Hanger Assemblies	1 pr.		20085	Latch Style Hanger Tubes —75°	1 pr.
2	20081-R	Hanger Assembly—75°, Rt.	1 ea.	6	20091-R	Latching Assembly—90° - Rt.	1 ea.
	20081-L	Hanger Assembly—75°, Lt.	1 ea.		20091-L	Latching Assembly—90° - Lt.	1 ea.
	20081	Hanger Assemblies—75°	1 pr.		20091	Latching Assemblies—90°	1 pr.
3	20082	Hanger Extension Assemblies— 0.5—4.5" Long	1 pr.	7	20092-R	Latching Assembly—75°, Rt.	1 ea.
	20082-1	Hanger Extension Assembly— 0.5—4.5" Long	1 ea.		20092-L	Latching Assembly—75°, Lt.	1 ea.
	20083	Hanger Extension Assemblies— 2.5—6.5" Long	1 pr.		20092	Latching Assemblies—75°	1 pr.
	20083-1	Hanger Extension Assembly— 2.5—6.5" Long	1 ea.	8	3012	Pivot Fitting—Latch Style	1 ea.
4	20084-R	Latch Style Hanger Tube—90°, Rt	1 ea.	9	9000	1" Tube Plug	1 ea.
	20084-L	Latch Style Hanger Tube—90°, Lt	1 ea.	10	9041	Screw—10-32 x 5/8" Flat Head	1 ea.
	20084	Latch Style Hanger Tubes—90°	1 pr.	11	9035	Screw—1/4 x 1 1/2" Button Head	1 ea.

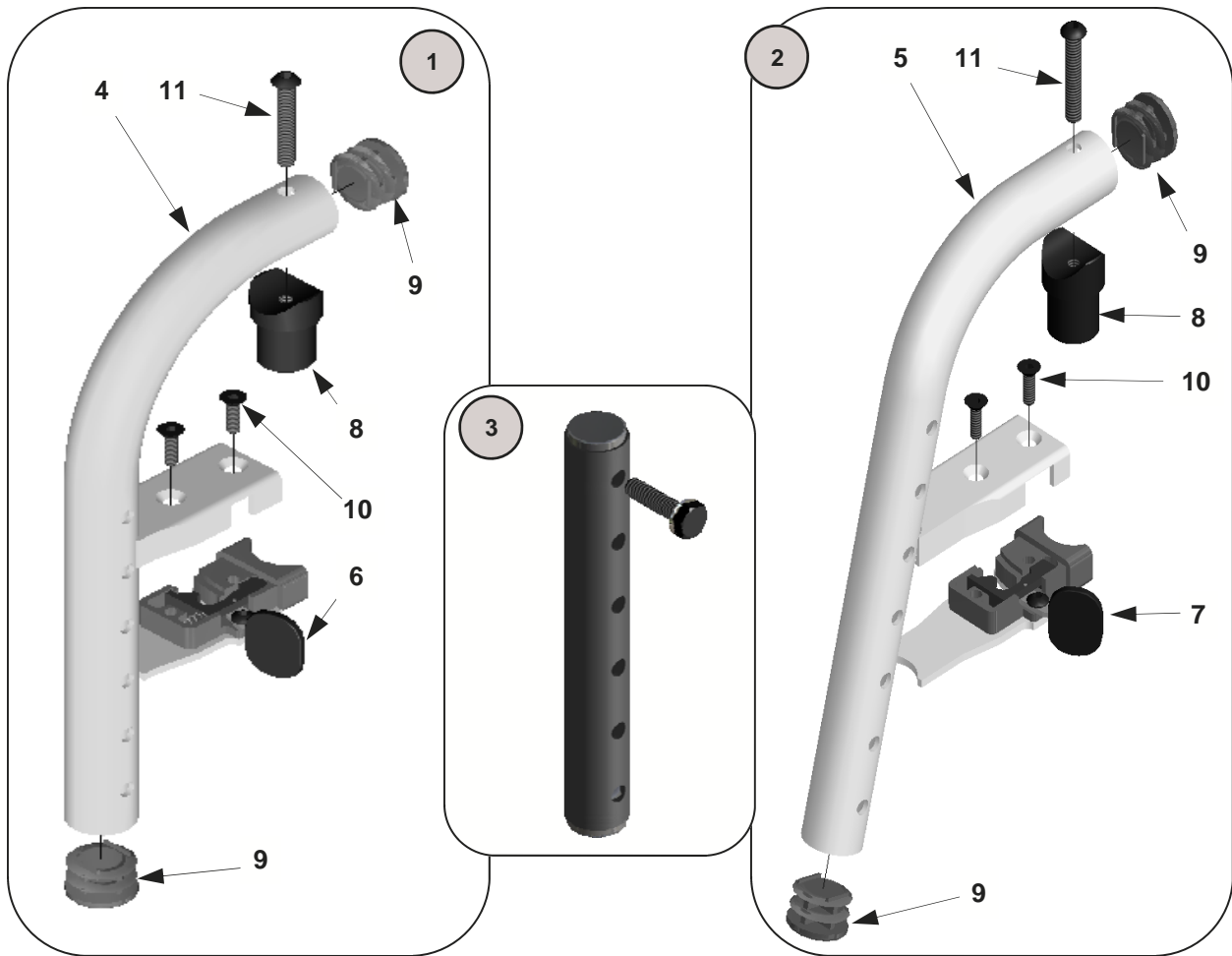
HANGERS—Pop Up



These hangers require footplate assemblies shown on pages 20 & 21.

No.	PART #	DESCRIPTION	QTY	No.	PART #	DESCRIPTION	QTY
1	20086-1	Pop Up Hanger Assembly—90°	1 ea.	4	20089-1	Pop Up Hanger Support Tube—90°	1 ea.
	20086	Pop Up Hanger Assemblies—90°	1 pr.	5	20088-1	Pop Up Hanger Support Tube—75°	1 ea.
2	20087-1	Pop Up Hanger Assembly—75°	1 ea.	6	3013	Pivot Fitting	1 ea.
	20087	Pop Up Hanger Assembly—75°	1 pr.	7	1015	Alignment Guide	1 ea.
3	20082-1	Hanger Extension Assembly— 0.5—4.5" Long	1 ea.	8	1010	Locking Insert	1 ea.
	20082-2	Hanger Extension Assembly— 0.5—4.5" Long	1 pr.	9	9000	1" Tube Plug	1 ea.
	20083-1	Hanger Extension Assembly— 2.5—6.5" Long	1 ea.	10	9036	Screw—1/4 x 1 3/4" Button Head	1 ea.
	20083-2	Hanger Extension Assembly— 2.5—6.5" Long	1 pr.	11	9046	Screw—1/4 x 3/4" Flat Head	1 ea.

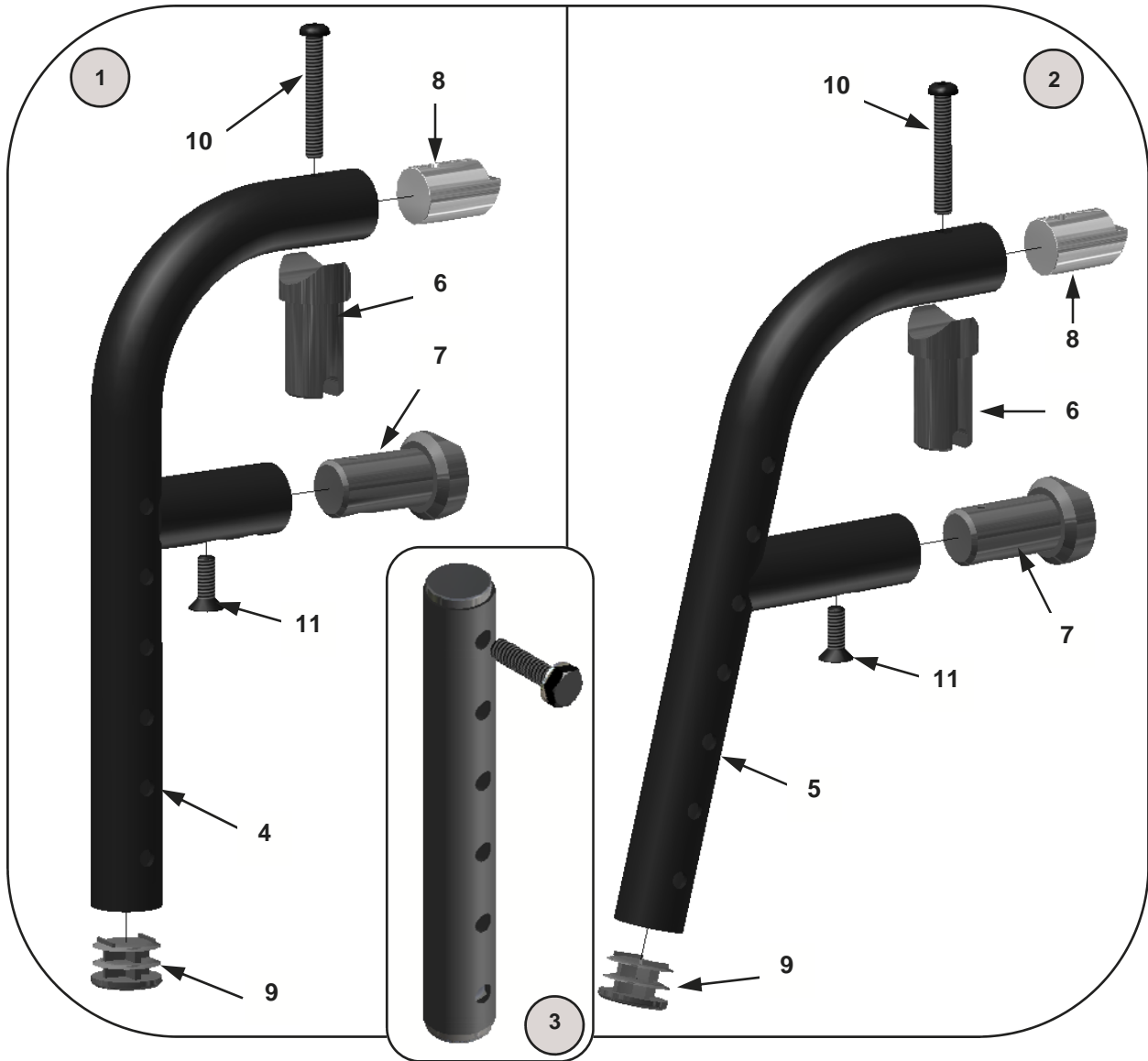
HANGERS—Latch Style (discontinued)



These hangers require footplate assemblies shown on pages 22 and 23.

No.	Part #	Description	Qty	No.	Part #	Description	Qty
1	14070-R	Latch Style Hanger Assy—90°, Rt.	1 ea.	5	14073-R	Latch Style Hanger Tube—75°, Rt.	1 ea.
	14070-L	Latch Style Hanger Assy—90°, Lt.	1 ea.		14073-L	Latch Style Hanger Tube—75°, Lt.	1 ea.
	14070	Latch Style Hanger Assemblies	1 pr.		14073	Latch Style Hanger Tubes —75°	1 pr.
2	14071-R	Hanger Assembly—75°, Rt.	1 ea.	6	14074-R	Latching Assembly—90° - Rt.	1 ea.
	14071-L	Hanger Assembly—75°, Lt.	1 ea.		14074-L	Latching Assembly—90° - Lt.	1 ea.
	14071	Hanger Assemblies—75°	1 pr.		14074	Latching Assemblies—90°	1 pr.
3	13026-1	Hanger Extension Assy— 0.5—4.5" Long	1 ea.	7	14075-R	Latching Assembly—75°, Rt.	1 ea.
	13026-2	Hanger Extension Assy— 0.5—4.5" Long	1 pr.		14075-L	Latching Assembly—75°, Lt.	1 ea.
	13027-1	Hanger Extension Assy— 2.5—6.5" Long	1 ea.		14075	Latching Assemblies—75°	1 pr.
	13027-2	Hanger Extension Assy— 2.5—6.5" Long	1 pr.	8	3012	Pivot Fitting—Latch Style	1 ea.
4	14072-R	Latch Style Hanger Tube—90°, Rt	1 ea.	9	9000	1" Tube Plug	1 ea.
	14072-L	Latch Style Hanger Tube—90°, Lt	1 ea.	10	9041	Screw—10-32 x 5/8" Flat Head	1 ea.
	14072	Latch Style Hanger Tubes—90°	1 pr.	11	9035	Screw—1/4 x 1 1/2" Button Head	1 ea.

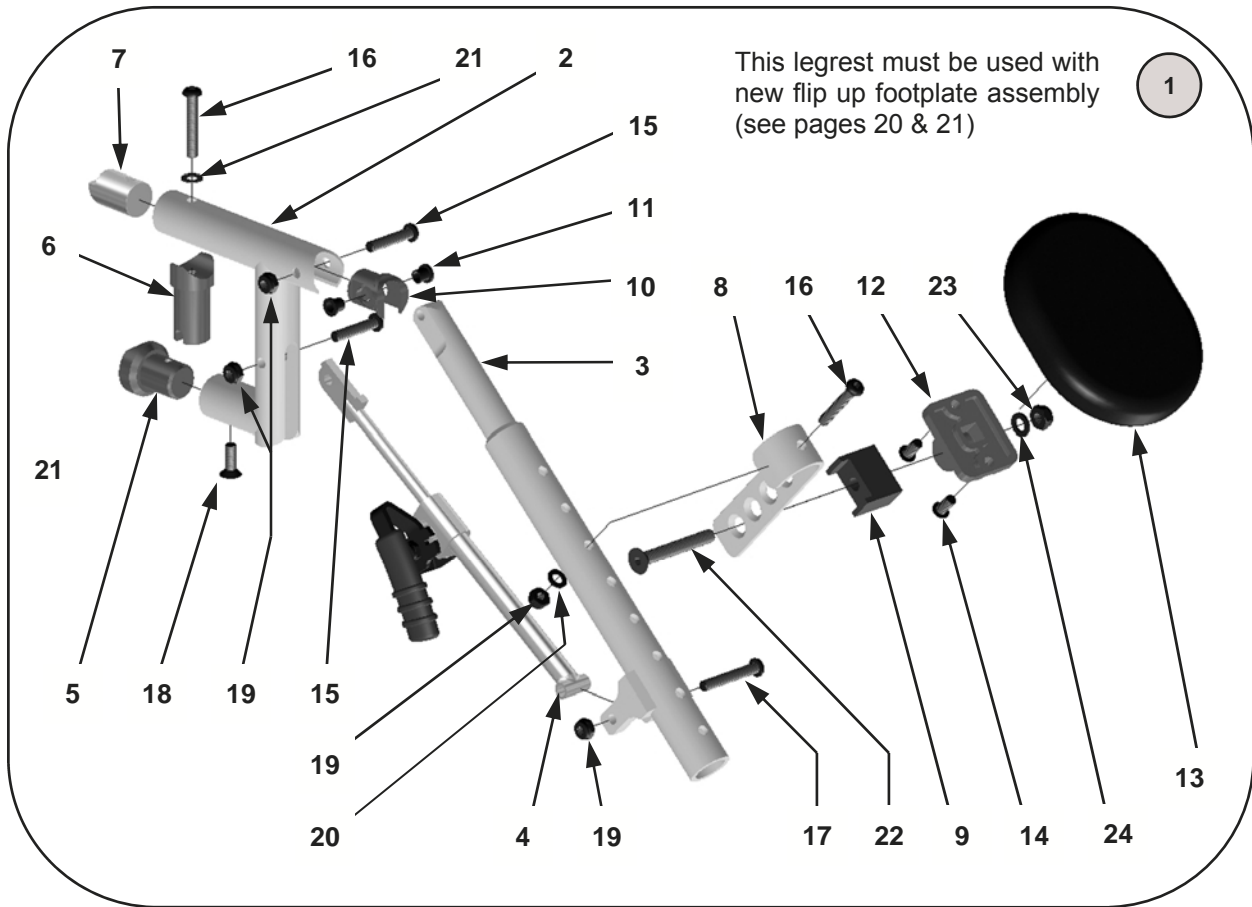
HANGERS—Pop Up (discontinued)



These hangers require footplate assemblies shown on pages 22 and 23.

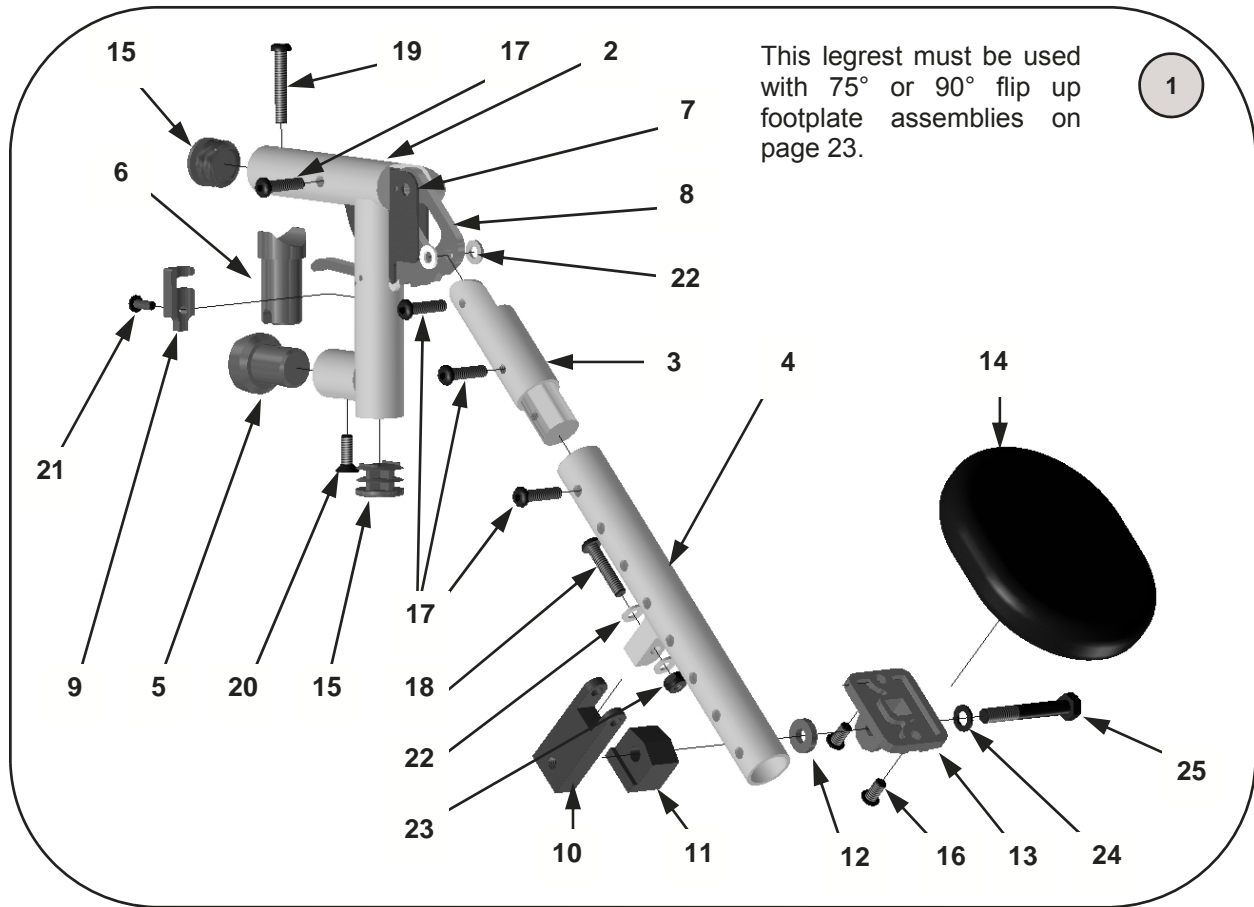
No.	PART #	DESCRIPTION	QTY	No.	PART #	DESCRIPTION	QTY
1	10101	Hanger Assembly—90°	1 ea.	5	1008	Hanger Support Tube—75°	1 ea.
2	10100	Hanger Assembly—75°	1 ea.	6	3013	Pivot Fitting	1 ea.
3	13026-1	Hanger Extension Assembly— 0.5—4.5" Long	1 ea.	7	1015	Alignment Guide	1 ea.
	13026-2	Hanger Extension Assembly— 0.5—4.5" Long	1 pr.	8	1010	Locking Insert	1 ea.
	13027-1	Hanger Extension Assembly— 2.5—6.5" Long	1 ea.	9	9000	1" Tube Plug	1 ea.
	13027-2	Hanger Extension Assembly— 2.5—6.5" Long	1 pr.	10	9036	Screw—1/4 x 1 3/4" Button Head	1 ea.
4	1007	Hanger Support Tube—90°	1 ea.	11	9046	Screw—1/4 x 3/4" Flat Head	1 ea.

HANGERS—Pop Up Elevating Legrest



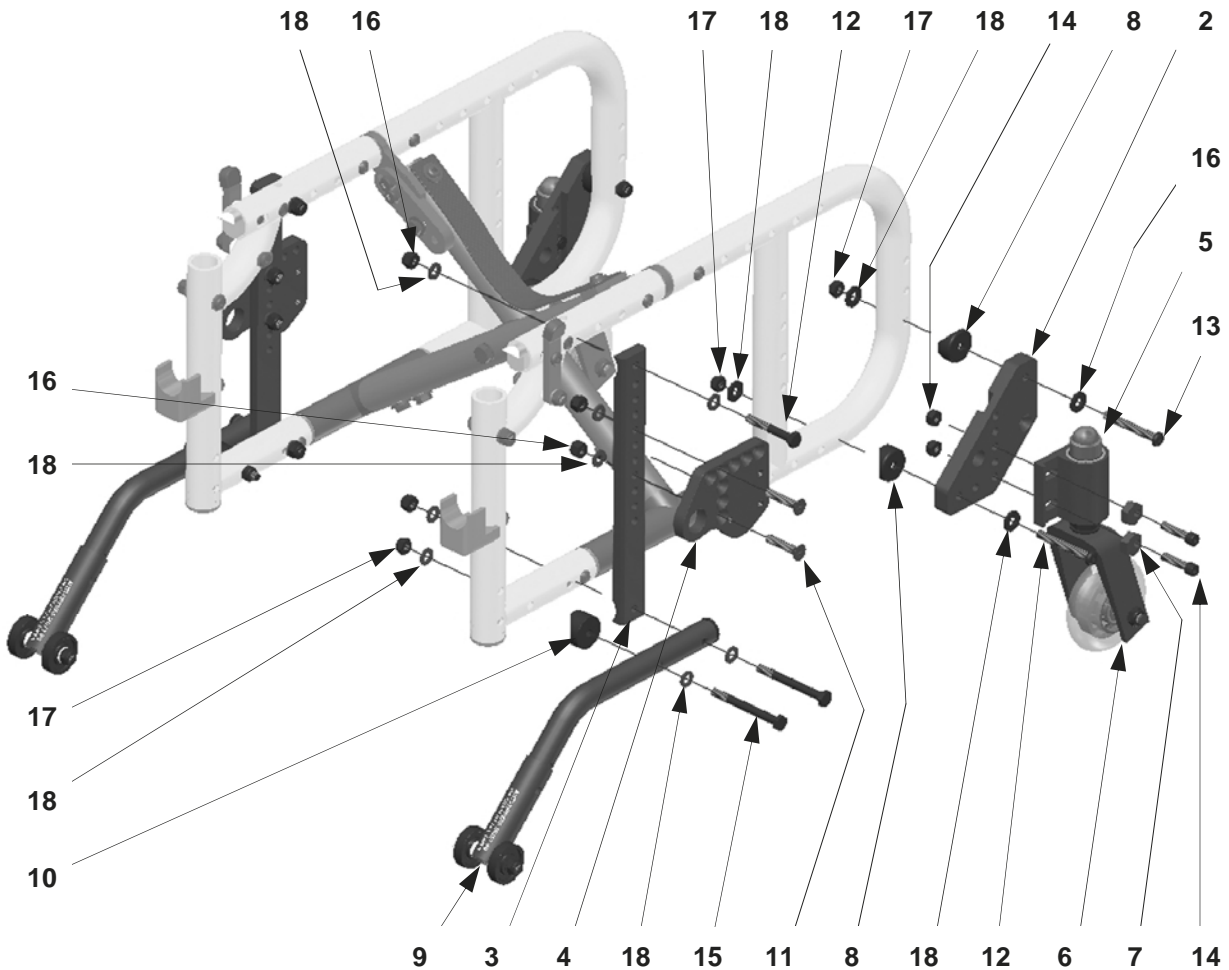
No.	PART #	DESCRIPTION	QTY	No.	PART #	DESCRIPTION	QTY
1	14180-L	ELR Assy w/o Pad & Footplate, Left	1 ea.	9	14191	Calf Pad Angle Stop	1 ea.
	14180-R	ELR Assy w/o Pad & Footplate, Right	1 ea.	10	14192	Pivot Insert	1 ea.
	14180	ELR Assy w/o Pads & Footplates, Pair	1 pr.	11	14193	Pivot Insert Bushing	1 ea.
	14181-L	ELR Assy w/ Pad , w/o Footplate, Left	1 ea.	12	14209	Calf Pad Mount Plate	1 ea.
	14181-R	ELR Assy w/ Pad , w/o Footplate, Right	1 ea.	13	14210-1	Calf Pad	1 ea.
	14181	ELR Assy w/ Pads, w/o Footplates, Pair	1 pr.		14210	Calf Pad	1 pr.
	14182-L	ELR Assy w/ Pad & Footplate, Left	1 ea.	14	9036	Screw—1/4-20 X 3/4" Button Head	1 ea.
	14182-R	ELR Assy w/ Pad & Footplate, Right	1 ea.	15	9034	Screw—1/4-20 X 1 1/4" Button Head	1 ea.
	14182	ELR Assy w/ Pads & Footplates, Pair	1 pr.	16	9035	Screw—1/4-20 X 1 1/2" Button Head	1 ea.
2	14211-1	Hanger Weldment, Pop Up	1 ea.	17	9110	Screw—1/4-20 X 1 5/8" Button Head	1 ea.
	14211	Hanger Weldment, Pop Up	1 pr.	18	9046	Screw—1/4 x 3/4" Flat Head	1 ea.
3	14173	Length Adjustment Tube	1 ea.	19	9073	Locknut—1/4-20, Thin	1 ea.
4	14190-R	Locking Mechanism—Right	1 ea.	20	9074	Washer—1/4" Flat	1 ea.
	14190-L	Locking Mechanism—Left	1 ea.	21	9075	Washer—1/4" Flat, Thin	1 ea.
5	1015	Alignment Guide	1 ea.	22	9103	Screw—5/16-18 X 2 1/4" Flat Head	1 ea.
6	3013	Pivot Fitting—Pop Up Style	1 ea.	23	9088	Locknut—5/16-18, Thin	1 ea.
7	1010	Locking Insert	1 ea.	24	9090	Washer—5/16 Flat	1 ea.
8	14194	Pad Mount Hook	1 ea.				

HANGERS—Pop Up Elevating Legrest (discontinued)



No.	PART #	DESCRIPTION	QTY	No.	PART #	DESCRIPTION	QTY
1	10104-L	ELR Assy w/o Pad & Footplate, Left	1 ea.	9	14205	Angle Lock Lever	1 ea.
	10104-R	ELR Assy w/o Pad & Footplate, Right	1 ea.	10	14206	Calf Pad Flip Hinge	1 ea.
	10104	ELR Assy w/o Pads & Footplates, Pair	1 pr.	11	14207	Calf Pad Angle Stop	1 ea.
	10106-L	ELR Assy w/ Pad , w/o Footplate, Left	1 ea.	12	14208	Spacer Bushing	1 ea.
	10106-R	ELR Assy w/ Pad , w/o Footplate, Right	1 ea.	13	14209	Calf Pad Mount Plate	1 ea.
	10106	ELR Assy w/ Pads, w/o Footplates, Pair	1 pr.	14	14210-1	Calf Pad	1 ea.
	10108-L	ELR Assy w/ Pad & Footplate, Left	1 ea.		14210	Calf Pad	1 pr.
	10108-R	ELR Assy w/ Pad & Footplate, Right	1 ea.	15	9000	Tube Plug—1"	1 ea.
	10108	ELR Assy w/ Pads & Footplates, Pair	1 pr.	16	9036	Screw—1/4-20 X 3/4" Button Head	1 ea.
2	14199-R	Hanger Weldment, Pop Up—Right	1 ea.	17	9033	Screw—1/4-20 X 1" Button Head	1 ea.
	14199-L	Hanger Weldment, Pop Up—Left	1 ea.	18	9034	Screw—1/4-20 X 1 1/4" Button Head	1 ea.
3	14201	Elevating Hinge	1 ea.	19	9035	Screw—1/4-20 X 1 1/2" Button Head	1 ea.
4	14202-R	Length Adjustment Tube—Right	1 ea.	20	9041	Screw—10-32 x 5/8" Flat Head	1 ea.
	14202-L	Length Adjustment Tube—Left	1 ea.	21	9057	Screw—10-32 X 3/4" Button Head	1 ea.
5	1015	Alignment Guide	1 ea.	22	9072	Washer—1/4" Nylon	1 ea.
6	3013	Pivot Fitting—Pop Up Style	1 ea.	23	9073	Locknut—1/4-20, Thin	1 ea.
7	14203	Ratchet Guard	1 ea.	24	9090	Washer—5/16 Flat	1 ea.
8	14204	Ratchet Gear	1 ea.	25	9081	Screw—5/16-18 X 2 1/4" Hex Head	1 ea.

REVERSE CONFIGURATION—Rear Wheel to Front Wheel

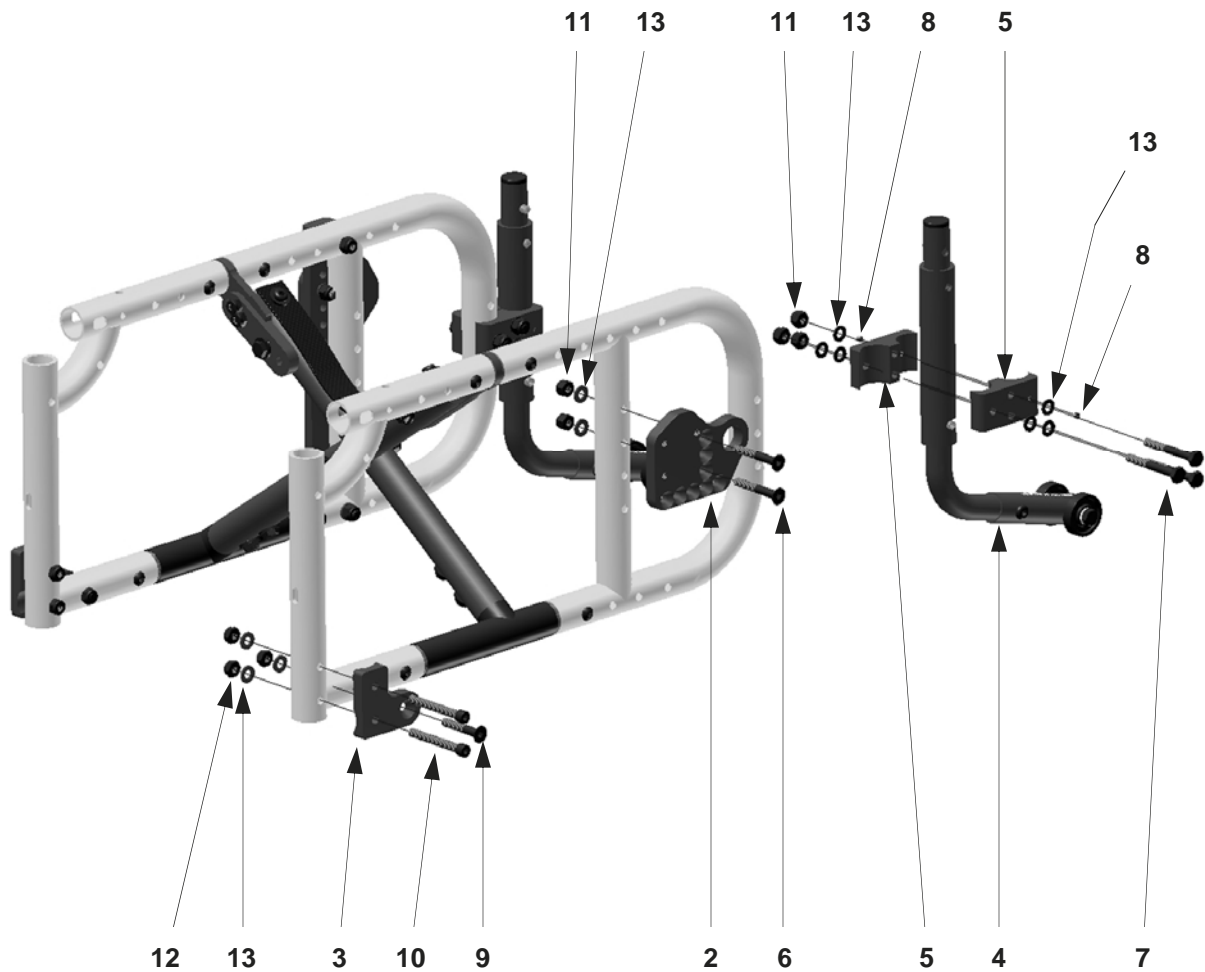


***Notes:**

- Item 1—Rear to Front Wheel Kit includes all parts listed (does not include frames and cross bars).
- Reverse configuration is only available with pop-up style footrest hangers.
- See caster section—page 11 for caster forks, pages 12 & 13 for caster housing and page 14 for caster wheels

No.	PART #	DESCRIPTION	QTY	No.	PART #	DESCRIPTION	QTY
1	11103	Rear to Front Wheel Kit (see notes)	1 ea.	9	10070-R	Anti-tip Assembly—Flip-up, Right	1 ea.
2	2007-R	Caster Plate—Right	1 ea.		10070-L	Anti-tip Assembly—Flip-up, Left	1 ea.
	2007-L	Caster Plate—Left	1 ea.	10	9005A	1" Plastic Spacer / 1/4" Hole—1/4" Th.	1 ea.
3	14060	Wheel Plate	1 ea.	11	9050	Screw—1/4-20 x 1 1/4" Flat Head	1 ea.
4	14062	Axle Adapter Plates	1 pr.	12	9022	Screw—1/4-20 x 1 3/4" Hex Head	1 ea.
	14062-R	Axle Adapter Plate—Right	1 ea.	13	9037	Screw—1/4-20 x 2" Button Head	1 ea.
	14062-L	Axle Adapter Plate—Left	1 ea.	14	9061	Screw—1/4-20 x 1" Socket Head	1 ea.
5	See Note	Caster Barrel Housing Assembly	1 ea.	15	9025	Screw—1/4-20 x 2 1/2" Hex Head	1 ea.
6	See Note	Caster Fork & Wheel Assembly	1 ea.	16	9072	Locknut—1/4-20 Nylon	1 ea.
7	2012	Eccentric Nut	1 ea.	17	9073	Locknut—1/4-20 Nylon, Thin	1 ea.
8	9004	1" Plastic Spacer with 1/4" Hole	1 ea.	18	9074	Washer—1/4" Flat	1 ea.

STANDARD CONFIGURATION—Front Wheel Drive to Rear Wheel

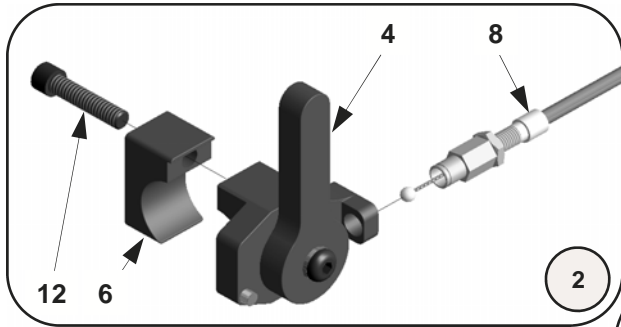


***Notes:**

- Item 1—Rear to Front Wheel Kit includes all parts listed (does not include frames and cross bars).
- See caster section page 11 for caster forks, pages 12 & 13 for caster housing and page 14 for caster wheels

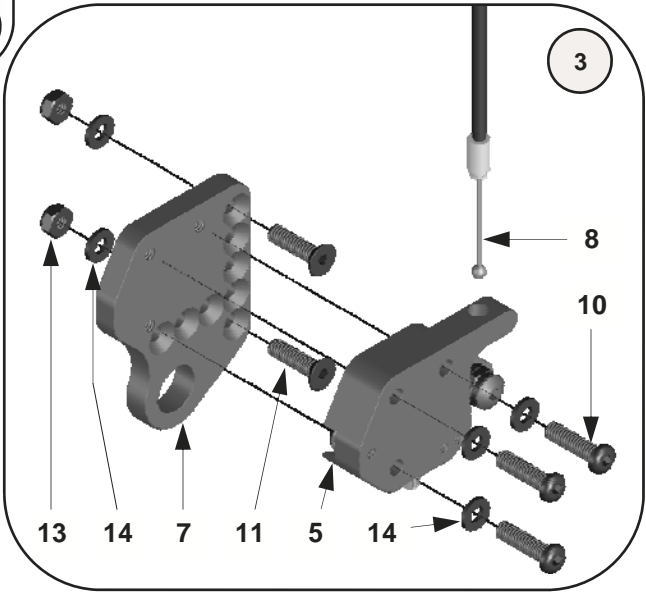
No.	PART #	DESCRIPTION	QTY	No.	PART #	DESCRIPTION	QTY
1	11101	Front to Rear Wheel Kit (see notes)	1 ea.	5	8003	Anti-tip Lever Clamp	1 ea.
2	14062-R	Axle Adapter Plate—Right	1 ea.	6	9050	Screw—1/4-20 x 1 3/4" Flat Head	1 ea.
	14062-L	Axle Adapter Plate	1 ea.	7	9023	Screw—1/4-20 x 2" Hex Head	1 ea.
	14062	Axle adapter Plates	1 pr.	8	9038	Set Screw—10-32 x 1/4"	1 ea.
3	13041-R	Caster Adapter Plate—Right	1 ea.	9	9048	Screw—1/4-20 x 1 1/4" Flat Head	1 ea.
	13041-L	Caster Adapter Plate—Left	1 ea.	10	9065	Screw—1/4-20 x 2" Socket Head	1 ea.
	13041	Caster Adapter Plates	1 pr.	11	9072	Locknut—1/4-20 Nylon	1 ea.
4	10073-R	Anti-tip Lever Assembly—Right	1 ea.	12	9073	Locknut—1/4-20 Nylon, Thin	1 ea.
	10073-L	Anti-tip Lever Assembly—Left	1 ea.	13	9074	Washer—1/4" Flat	1 ea.
	10073	Anti-tip Lever Assemblies	1 pr.				

HUB LOCK—From Serial No. SP3-17268



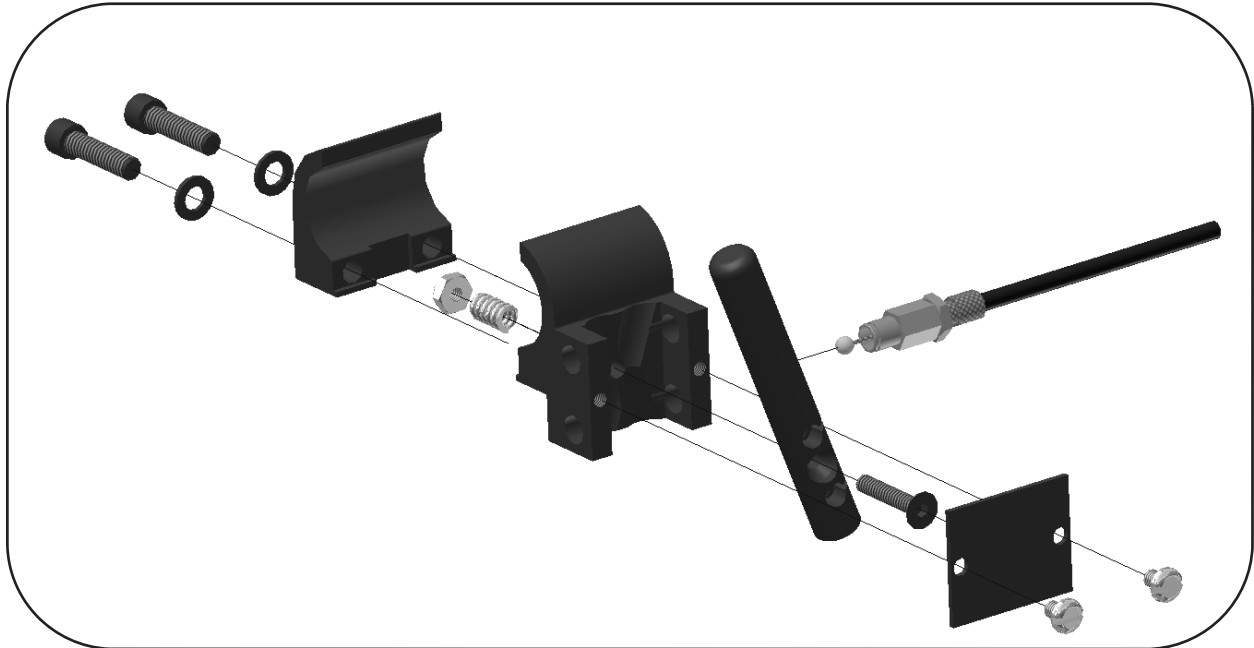
- SERIAL NUMBER AND MODEL MUST BE PROVIDED
- ONLY AVAILABLE ON FREEDOM DESIGNS CHAIRS
- NEW MAG WHEELS MUST BE ORDER.
- SEE PAGE 50 FOR WHEEL CHOICES.

- 1 COMPLETE KIT INCLUDES:**
- FRAME MOUNT LEVER ASSEMBLY (Item 2)
 - ACTUATOR ASSEMBLY with CABLES (Item 3)



No.	PART #	DESCRIPTION	QTY	No.	PART #	DESCRIPTION	QTY
1	13091	Hub Lock Assy Complete—Sht Cables	1 pr.	5	13080-R	Actuator Assembly—Right	1 ea.
	13093	Hub Lock Assy Complete—Lg Cables	1 pr.		13080-L	Actuator Assembly—Left	1 ea.
	13091-R	Hub Lock Assy Complete—Sht Cable, Rt	1 ea.		13080	Hub Lock Actuator Assemblies	1 pr.
	13091-L	Hub Lock Assy Complete—Sht Cable, Lt	1 ea.	6	13082-1	Inner Clamp	1 ea.
	13093-R	Hub Lock Assy Complete—Lg Cable, Rt	1 ea.	7	4004-R	Adapter Plate—Right	1 ea.
	13093-L	Hub Lock Assy Complete—Lg Cable, Lt	1 ea.		4004-L	Adapter Plate—Left	1 ea.
2	13087-R	Lever/Clamp Assembly—Right	1 ea.		4004	Adapter Plates	1 pr.
	13087-L	Lever/Clamp Assembly—Left	1 ea.	8	13084-1	Cable—Short	1 ea.
	13087	Lever/Clamp Assemblies	1 pr.		13084	Cables—Short	1 pr.
3	13088-R	Hub Lock Actuator—Rt, w/Short Cable	1 ea.		13086-1	Cable—Long	1 ea.
	13088-L	Hub Lock Actuator—Lt, w/Short Cable	1 ea.		13086	Cables—Long	1 pr.
	13088	Hub Lock Actuators, w/Short Cable	1 pr.	9	See Notes	Wheel Assembly	1 ea.
	13090-R	Hub Lock Actuator—Rt, w/Long Cable	1 ea.	10	9033	Screw—1/4 x 1" Button Head	1 ea.
	13090-L	Hub Lock Actuator—Lt, w/Long Cable	1 ea.	11	9047	Screw—1/4 x 1" Flat Head	1 ea.
	13090	Hub Lock Actuators, w/Long Cable	1 pr.	12	9061	Screw—1/4 x 1" Socket Head	1 ea.
4	13081-R	Lever—Right, w/o Cable	1 ea.	13	9073	Locknut—1/4" Nylon Thin	1 ea.
	13081-L	Lever—Left, w/o Cable	1 ea.	14	9074	Washer—1/4" Flat	1 ea.
	13081	Levers, w/o Cables	1 pr.				

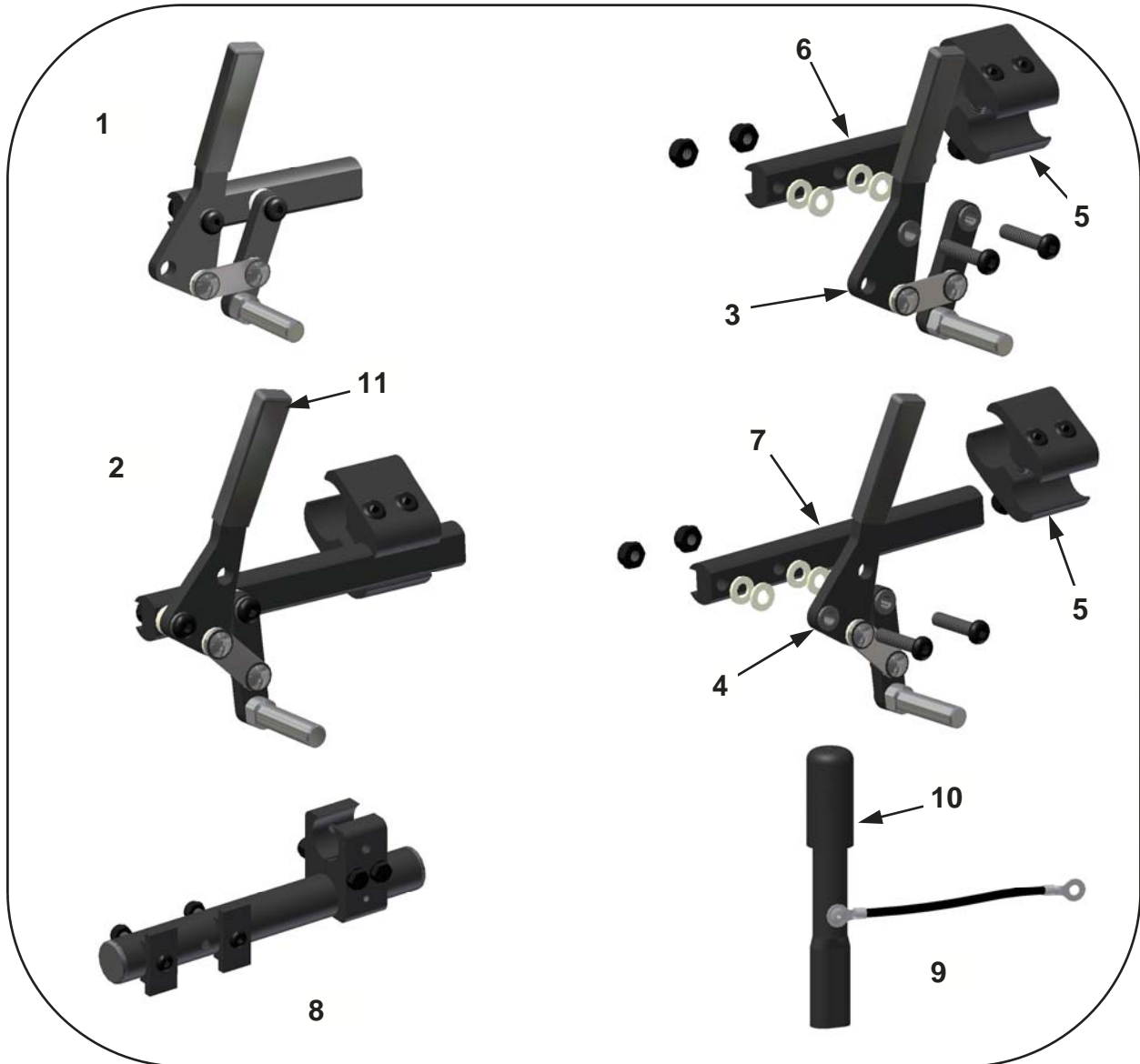
HUB LOCK —Thru Serial No. SP3-17267 (discontinued)



Please contact Customer Service for all Hub Lock replacement parts for wheelchairs with serial numbers up to and including **SP3-17267**

Please provide frame serial number

WHEEL LOCKS—Lever Style & Accessories



No.	PART #	DESCRIPTION	QTY	No.	PART #	DESCRIPTION	QTY
1	5004	Push to Lock Wheel Lock—Right (no clamp)	1 ea.	4	5025-R	Pull to Lock Lever Assembly—Right	1 ea.
	5005	Push to Lock Wheel Lock—Left (no clamp)	1 ea.		5025-L	Pull to Lock Lever Assembly—Left	1 ea.
	10060-R	Push to Lock Wheel Lock / Clamp—Right	1 ea.		5025	Pull to Lock Lever Assemblies	1 pr.
	10060-L	Push to Lock Wheel Lock / Clamp—Left	1 ea.	5	5015	Wheel Lock Mounting Clamp	1 ea.
	10060	Push to Lock Wheel Locks	1 pr.	6	5018	Wheel Lock Swivel Arm—Short (4")	1 ea.
2	5006	Pull to Lock Wheel Lock—Right (no clamp)	1 ea.	7	5019	Wheel Lock Swivel Arm—Long (6")	1 ea.
	5007	Pull to Lock Wheel Lock—Left (no clamp)	1 ea.	8	10065-R	Wheel Lock Mounting Tube Kit—Right	1 ea.
	10061-L	Pull to Lock Wheel Lock / Clamp—Right	1 ea.		10065-L	Wheel Lock Mounting Tube Kit—Left	1 ea.
	10061-R	Pull to Lock Wheel Lock / Clamp—Left	1 ea.		10065	Wheel Lock Mounting Tube Kits	1 pr.
	10061	Pull to Lock Wheel Locks / Clamps	1 pr.	9	10064	Lock Extension	1 Pr.
3	5024-R	Push to Lock Lever Assembly—Right	1 ea.	10	5016B	Cap for Wheel Lock Extension	1 ea.
	5024-L	Push to Lock Lever Assembly—Left	1 ea.	11	5016C	Plastic Cap for Wheel Lock Handle	1 ea.
	5024	Push to Lock Lever Assemblies	1 pr.				

WHEELS—Mag Assemblies



**Mag Wheel with Handrim
20", 22", & 24"**



**Mag Wheel
12", 16" & 18"**

Mag Wheel with Tire & Tube

PART #	DESCRIPTION	QTY	PART #	DESCRIPTION	QTY
10022-1	12" Mag Wheel with Tire and Tube	1 ea.	10026-1	20" Mag Wheel with Tire and Tube	1 ea.
10023-1	12" Polyurethane Wheel	1 ea.	10027-1	22" Mag Wheel with Tire and Tube	1 ea.
10024-1	16" Mag Wheel with Tire and Tube	1 ea.	10028-1	24" Mag Wheel with Tire and Tube	1 ea.
10025-1	18" Mag Wheel with Tire & Tube	1 ea.			

Mag Wheel with Tire & Insert

PART #	DESCRIPTION	QTY	PART #	DESCRIPTION	QTY
10000-1	12" Mag Wheel with Tire and Insert	1 ea.	10003-1	20" Mag Wheel with Tire and Insert	1 ea.
10001-1	16" Mag Wheel with Tire and Insert	1 ea.	10004-1	22" Mag Wheel with Tire and Insert	1 ea.
10002-1	18" Mag Wheel with Tire and Insert	1 ea.	10005-1	24" Mag Wheel with Tire and Insert	1 ea.

Mag Wheel with Tire, Tube & Handrim

PART #	DESCRIPTION	QTY	PART #	DESCRIPTION	QTY
10033-1	16" Mag Wheel with Tire, Tube & Handrim	1 ea.	10032-1	24" Mag Wheel with Tire, Tube & Handrim	1 ea.
10029-1	18" Mag Wheel with Tire, Tube & Handrim	1 ea.	10030-1	20" Mag Wheel with Tire, Tube & Plastic Handrim	1 ea.
10030-1	20" Mag Wheel with Tire, Tube & Handrim	1 ea.	10031-1	22" Mag Wheel with Tire, Tube & Plastic Handrim	1 ea.
10031-1	22" Mag Wheel with Tire, Tube & Handrim	1 ea.	10032-1	24" Mag Wheel with Tire, Tube & Plastic Handrim	

Mag Wheel with Tire, Insert & Handrim

PART #	DESCRIPTION	QTY	PART #	DESCRIPTION	QTY
10034-1	16" Mag Wheel with Tire, Insert & Handrim	1 ea.	10009-1	16" Mag Wheel with Tire, Insert & Handrim	1 ea.
10006-1	18" Mag Wheel with Tire, Insert & Handrim	1 ea.	12007-1	20" Mag Wheel with Tire, Insert & Plastic Handrim	1 ea.
10007-1	20" Mag Wheel with Tire, Insert & Handrim	1 ea.	12008-1	22" Mag Wheel with Tire, Insert & Plastic Handrim	1 ea.
10008-1	22" Mag Wheel with Tire, Insert & Handrim	1 ea.	12009-1	24" Mag Wheel with Tire, Insert & Plastic Handrim	

WHEELS—Spoke Assemblies



Spoke Wheel with Handrim
20", 22", & 24"

Spoke Wheel with Tire & Tube

Spoke Wheel with Tire & Insert

PART #	DESCRIPTION	QTY	PART #	DESCRIPTION	QTY
10016-1	20" Spoke Wheel with Tire and Tube	1 ea.	10013-1	20" Spoke Wheel with Tire and Insert	1 ea.
10017-1	22" Spoke Wheel with Tire and Tube	1 ea.	10014-1	22" Spoke Wheel with Tire and Insert	1 ea.
10018-1	24" Spoke Wheel with Tire and Tube	1 ea.	10015-1	24" Spoke Wheel with Tire and Insert	1 ea.

Spoke Wheel / Tire, Tube & Handrim

Spoke Wheel / Tire, Insert & Handrim

PART #	DESCRIPTION	QTY	PART #	DESCRIPTION	QTY
10019-1	20" Spoke Wheel with Tire, Tube & Handrim	1 ea.	10010-1	20" Spoke Wheel with Tire, Insert & Handrim	1 ea.
10020-1	22" Spoke Wheel with Tire, Tube & Handrim	1 ea.	10011-1	22" Spoke Wheel with Tire, Insert & Handrim	1 ea.
10021-1	24" Spoke Wheel with Tire, Tube & Handrim	1 ea.	10012-1	24" Spoke Wheel with Tire, Insert & Handrim	1 ea.

WHEELS—Mag with Hub Lock Assemblies



**Mag Wheel with Handrim
& Hub Lock Adapter
20", 22", & 24"**



**Mag Wheel with
Hub Lock Adapter
12", 16" & 18"**

Mag Wheel with Tire, Tube & Hub Lock Adapter

PART #	DESCRIPTION	QTY	PART #	DESCRIPTION	QTY
13210	12" Mag Wheel with Tire, Tube & Hub Lock	1 pr.	13214	20" Mag Wheel with Tire, Tube & Hub Lock	1 pr.
13212	16" Mag Wheel with Tire, Tube & Hub Lock	1 pr.	13215	22" Mag Wheel with Tire, Tube & Hub Lock	1 pr.
13213	18" Mag Wheel with Tire, Tube & Hub Lock	1 pr.	13216	24" Mag Wheel with Tire, Tube & Hub Lock	1 pr.

Mag Wheel with Tire, Insert & Hub Lock Adapter

PART #	DESCRIPTION	QTY	PART #	DESCRIPTION	QTY
13217	12" Mag Wheel with Tire, Insert & Hub Lock	1 pr.	13220	20" Mag Wheel with Tire, Insert & Hub Lock	1 pr.
13218	16" Mag Wheel with Tire, Insert & Hub Lock	1 pr.	13221	22" Mag Wheel with Tire, Insert & Hub Lock	1 pr.
13219	18" Mag Wheel with Tire, Insert & Hub Lock	1 pr.	13222	24" Mag Wheel with Tire, Insert & Hub Lock	1 pr.

Mag Wheel with Tire, Tube, Handrim & Hub Lock Adapter

PART #	DESCRIPTION	QTY	PART #	DESCRIPTION	QTY
13223	16" Mag Wheel, Tire, Tube, Handrim & Hub Lock	1 pr.	13227	24" Mag Wheel, Tire, Tube, Handrim & Hub Lock	1 pr.
13224	18" Mag Wheel, Tire, Tube, Handrim & Hub Lock	1 pr.	13228	20" Mag Wheel, Tire, Tube, Plastic Handrim & Hub Lock	1 pr.
13225	20" Mag Wheel, Tire, Tube, Handrim & Hub Lock	1 pr.	13229	22" Mag Wheel, Tire, Tube, Plastic Handrim & 4 Hub Lock	1 pr.
13226	22" Mag Wheel, Tire, Tube, Handrim & Hub Lock	1 pr.	13229	20" Mag Wheel, Tire, Tube, Plastic Handrim & Hub Lock	1 pr.

Mag Wheel with Tire, Insert, Handrim & Hub Lock Adapter

PART #	DESCRIPTION	QTY	PART #	DESCRIPTION	QTY
13231	16" Mag Wheel, Tire, Insert, Handrim & Hub Lock	1 pr.	13235	24" Mag Wheel, Tire, Insert, Handrim & Hub Lock	1 pr.
13232	18" Mag Wheel, Tire, Insert, Handrim & Hub Lock	1 pr.	13236	20" Mag Wheel, Tire, Insert, Plastic Handrim & Hub Lock	1 pr.
13233	20" Mag Wheel, Tire, Insert, Handrim & Hub Lock	1 pr.	13237	22" Mag Wheel, Tire, Insert, Plastic Handrim & 4 Hub Lock	1 pr.
13234	22" Mag Wheel, Tire, Insert, Handrim & Hub Lock	1 pr.	13238	20" Mag Wheel, Tire, Insert, Plastic Handrim & Hub Lock	1 pr.

WHEEL—Wheel Options

Wheels Only

PART #	DESCRIPTION	QTY	PART #	DESCRIPTION	QTY
4020	12" Mag Rim with Bearings	1 ea.	4024	22" Mag Rim with Bearings	1 ea.
4021	16" Mag Rim with Bearings	1 ea.	4024a	22" Spoke Rim with Bearings	1 ea.
4022	18" Mag Rim with Bearings	1 ea.	4025	24" Mag Rim with Bearings	1 ea.
4023	20" Mag Rim with Bearings	1 ea.	4025a	24" Spoke Rim with Bearings	1 ea.
4023a	20" Spoke Rim with Bearings	1 ea.			

Tires

PART #	DESCRIPTION	QTY	PART #	DESCRIPTION	QTY
4028	12 1/2" x 2 1/4" Poly Tire	1 ea.	4033	20" x 1 3/8" Pneumatic Tire	1 ea.
4029	12 1/2" x 2 1/4" Pneumatic Tire	1 ea.	4034	22" x 1 3/8" Pneumatic Tire	1 ea.
4031	16" x 1 3/4" Pneumatic Tire	1 ea.	4035	24" x 1 3/8" Pneumatic Tire	1 ea.
4032	18" x 1 3/4" Pneumatic Tire	1 ea.			

Inner Tubes

PART #	DESCRIPTION	QTY	PART #	DESCRIPTION	QTY
4036	12 1/2" x 2 1/4" Inner Tube	1 ea.	4039	20" x 1 3/8" Inner Tube	1 ea.
4037	16" x 1 3/4" Inner Tube	1 ea.	4040	22" x 1 3/8" Inner Tube	1 ea.
4038	18" x 1 3/4" Inner Tube	1 ea.	4041	24" x 1 3/8" Inner Tube	1 ea.

Solid Inserts

PART #	DESCRIPTION	QTY	PART #	DESCRIPTION	QTY
4036	12 1/2" x 2 1/4" Solid Insert	1 ea.	4039	20" x 1 3/8" Solid Insert	1 ea.
4037	16" x 1 3/4" Solid Insert	1 ea.	4040	22" x 1 3/8" Solid Insert	1 ea.
4038	18" x 1 3/4" Solid Insert	1 ea.	4041	24" x 1 3/8" Solid Insert	1 ea.

Wheel Components

PART #	DESCRIPTION	QTY	PART #	DESCRIPTION	QTY
2009	1 1/8" x 1/2" Bearing	1 ea.	4058	Handrim Spacer	1 ea.
4000	Hub Cap	1 ea.			

Handrims

PART #	DESCRIPTION	QTY	PART #	DESCRIPTION	QTY
4048	20" Aluminum Handrim	1 ea.	4057	18" Aluminum Handrim	1 ea.
4049	22" Aluminum Handrim	1 ea.	4053	20" Plastic Coated Handrim	1 ea.
4050	24" Aluminum Handrim	1 ea.	4054	22" Plastic Coated Handrim	1 ea.
4056	16" Aluminum Handrim	1 ea.	4055	24" Plastic Coated Handrim	1 ea.

WARRANTY

Freedom Designs, Inc. Limited Warranty

PLEASE NOTE: THE WARRANTY BELOW HAS BEEN DRAFTED TO COMPLY WITH U.S. FEDERAL LAW APPLICABLE TO PRODUCTS MANUFACTURED AFTER JULY 4, 1975. THIS WARRANTY IS EXTENDED ONLY TO THE ORIGINAL PURCHASER/USER WHO PURCHASES THIS PRODUCT WHEN NEW AND UNUSED DIRECTLY FROM FREEDOM DESIGNS OR AN AUTHORIZED DEALER OR DISTRIBUTOR. THIS WARRANTY GIVES SPECIFIC LEGAL RIGHTS AND YOU MAY ALSO HAVE OTHER LEGAL RIGHTS WHICH VARY FROM STATE TO STATE, OR COUNTRY TO COUNTRY.

Limited Warranty – USA: All Freedom Designs' wheelchair frames, quick release axles and hardware are warranted against defects in material and workmanship for **five (5) years** from the date of purchase. All other manufactured and distributed parts and components (including frame components, axle plates, armrests and backrests) are warranted for **one (1) year** from said purchase date. **There is no warranty for tires, tubes, and push handle grips.** If within such warranty periods any product component eligible for coverage under this warranty shall be proven to be defective, Freedom Designs will, at its option, either replace or repair the product with new or refurbished product components, or will supply the original purchaser with replacement product components, which may be either new or refurbished. Freedom Designs' sole obligation and your exclusive remedy under this warranty shall be limited to such repair and/or replacement. This warranty does not include any labor or shipping charges incurred in replacement part installation or repair. Moreover, the warranty period of the repaired or replaced product component shall terminate with the termination of the warranty period for the original product component Freedom Designs' sole obligation and your exclusive remedy under this warranty shall be limited to such repair and/or replacement.

Limited Warranty - International: All Freedom Designs' wheelchair frames & quick release axles are warranted against defects in material and workmanship for **five (5) years** from the date of purchase. All other manufactured and distributed parts and components (including frame components, axle plates, armrests and backrests) are warranted for **one (1) year** from said purchase date. All hardware is warranted for **two (2) years** after the date of purchase. **There is no warranty for tires, tubes, and push handle grips.** If within such warranty periods any product component eligible for coverage under this warranty shall be proven to be defective, Freedom Designs will, at its option, either repair or replace the product with new or refurbished product components, or will supply the original purchaser with replacement product components, which may be either new or refurbished. Freedom Designs' sole obligation and your exclusive remedy under this warranty shall be limited to such repair and/or replacement. This warranty does not include any labor or shipping charges incurred in replacement part installation or repair. Moreover, the warranty period of the repaired or replaced product component shall terminate with the termination of the warranty period for the original product component. Freedom Designs' sole obligation and your exclusive remedy under this warranty shall be limited to such repair and/or replacement.

Limitations & Exclusions – USA & International: The foregoing limited warranties shall **not apply** to: Tires, tubes and push handle grips; Serial numbered products if the serial number has been removed or defaced; Products subjected to negligence, accident, improper operation, maintenance, or storage; Products modified without Freedom Designs' express written consent including, but not limited to, modification through the use of unauthorized parts or attachments; Products damaged by reason of repairs made to any component without the specific consent of Freedom Designs, or to products damaged by circumstances beyond Freedom Designs' control; Problems arising from normal wear or failure to adhere to these instructions; and with any such warranty eligibility evaluation to be solely determined by Freedom Designs;.

THE FOREGOING LIMITED WARRANTIES ARE EXCLUSIVE AND IN LIEU OF ANY OTHER WARRANTIES WHATSOEVER, WHETHER EXPRESS OR IMPLIED, INCLUDING THE IMPLIED WARRANTIES OF MERCHANTABILITY AND FITNESS FOR A PARTICULAR PURPOSE, AND THE SOLE REMEDY FOR VIOLATIONS OF ANY WARRANTY WHATSOEVER SHALL BE LIMITED TO REPAIR OR REPLACEMENT OF THE DEFECTIVE PRODUCT PURSUANT TO THE TERMS CONTAINED HEREIN. THE APPLICATION OF ANY IMPLIED WARRANTY WHATSOEVER SHALL NOT EXTEND BEYOND THE DURATION OF THE EXPRESS WARRANTY PROVIDED HEREIN. FREEDOM DESIGNS SHALL NOT BE LIABLE FOR ANY CONSEQUENTIAL OR INCIDENTAL DAMAGES WHATSOEVER. THESE WARRANTIES SHALL BE EXTENDED TO COMPLY WITH STATE PROVINCIAL LAWS AND REQUIREMENTS.

Returns: An authorization for return must be acquired by an established Freedom Designs, Inc. dealer/distributor before Freedom Designs will accept returned items. The dealer must return items to Freedom Designs, 2241 N. Madera Rd, Simi Valley, CA 93065 USA with freight pre-paid and fully insured with the R.A. # issued by customer service marked on the outside of the box. All returns must be received within 45 days of issuance of the R.A. #. Returns are subject to examination at the discretion of Freedom Designs and may be subject to a 25% restocking fee. Custom fabricated products are non-returnable.

