

# Tech Note — T-Nut Pattern – 7759 & EE7U Headrest Hardware



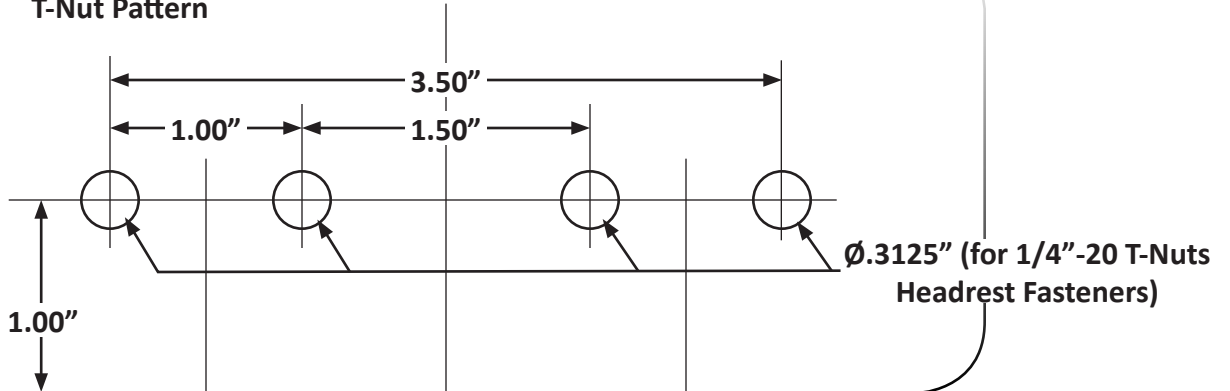
Our kids are our passion.™

Freedom Designs, Incorporated  
2241 N Madera Road, Simi Valley, CA 93065  
phone: 800-331-8551 fax: 888-582-1509  
e: customerservice@freedomdesigns.com  
www.freedomdesigns.com

### Item(s) affected:

Reference pattern for all FDI solid back inserts and related headrest pad when 7759 headrest pad or EE7U headrest assembly is used.

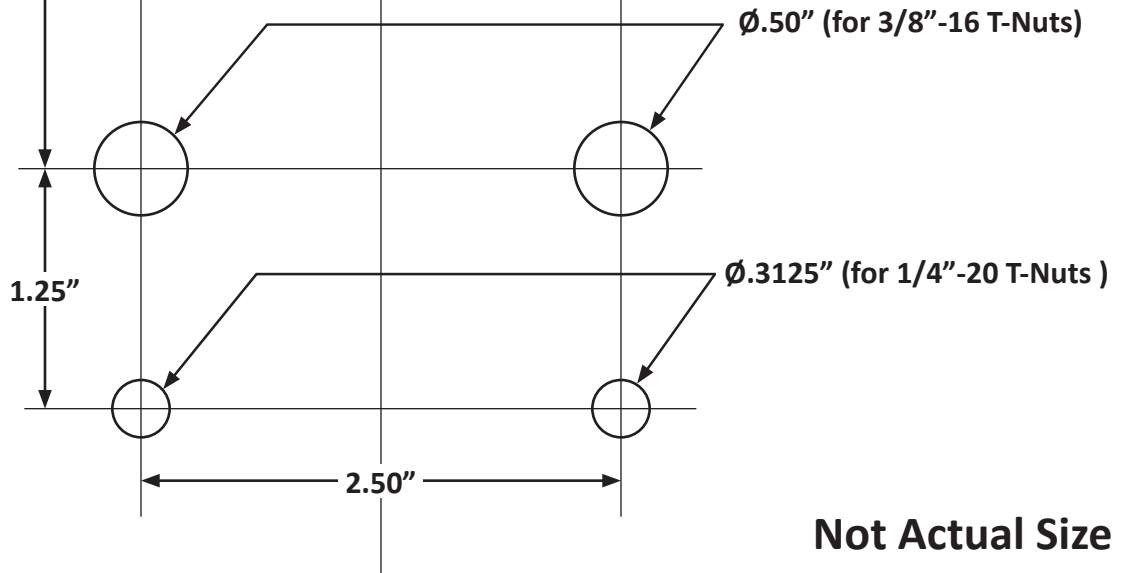
**7759 Headrest Pad  
T-Nut Pattern**



Top Edge of Back

3.00"

**Backrest T-Nut Pattern  
for 7759/EE7U**



**Not Actual Size**